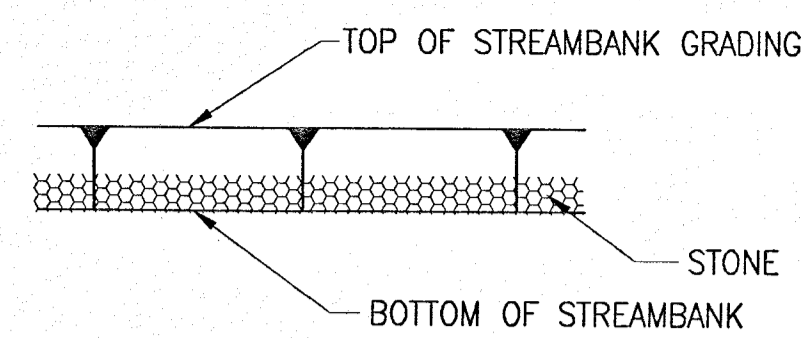


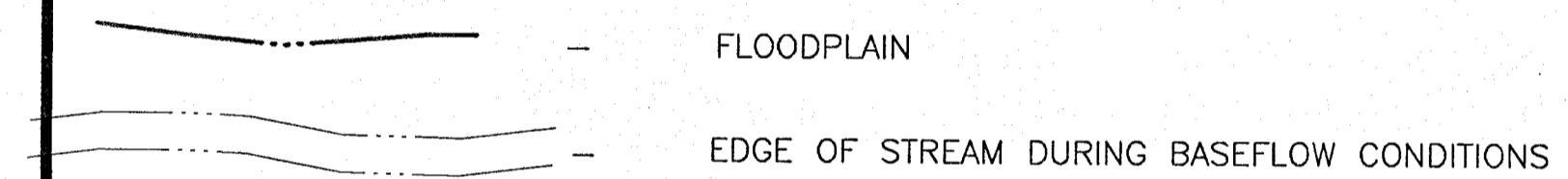
**LEGEND - PROPOSED FEATURES**



--- LIMITS OF DISTURBANCE

**LEGEND - EXISTING FEATURES**

- EX. SANITARY SEWER MANHOLE
- △ FLY STATION
- GUARD RAIL
- ~ GUY WIRE
- ⊕ LIGHT POLE
- ⊕ POWER POLE
- SIGN
- SANITARY STRUCTURE NUMBER
- ⊕ EX. SHRUB
- △ TRAVERSE STATION
- OH-E OVERHEAD ELECTRIC LINES
- ⊕ TREE <TRUNK DIA. IN INCHES>



**SHEET INDEX**

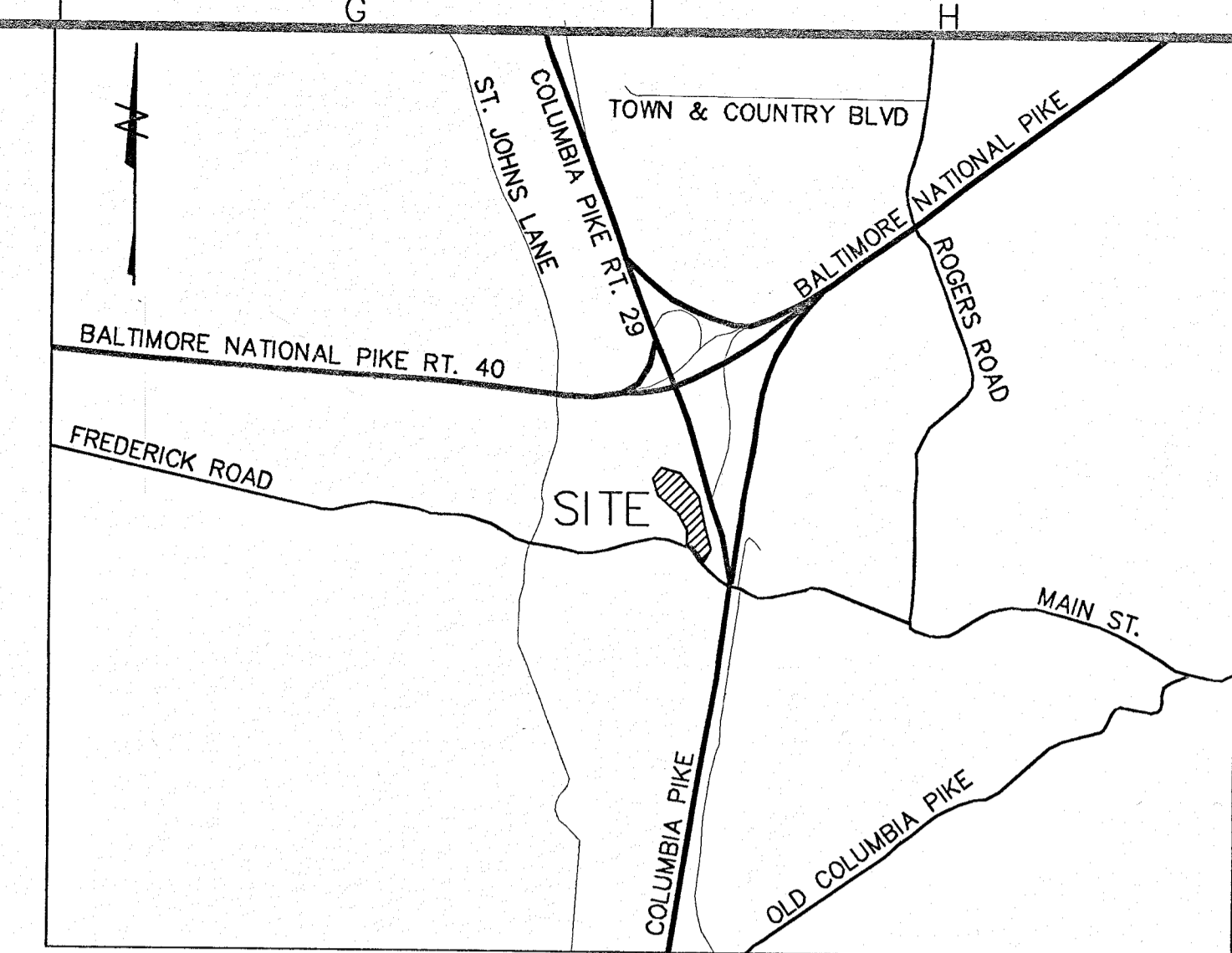
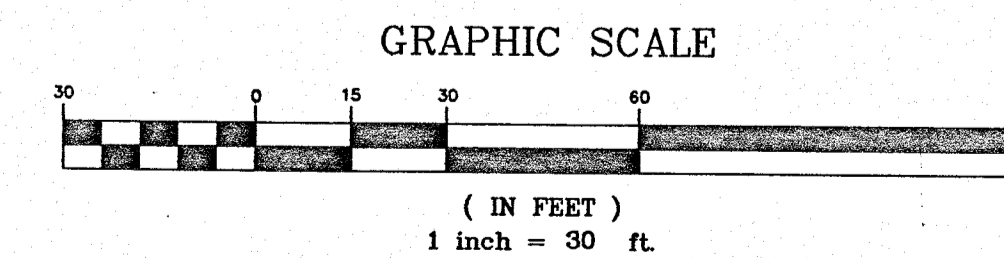
- 1 COVER SHEET
- 2 PLAN
- 3 TYPICAL SECTIONS
- 4-7 CROSS SECTIONS

**SANITARY AS-BUILT TABLE**

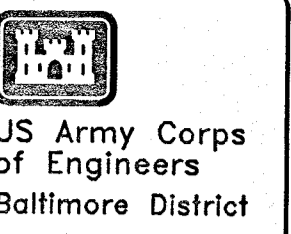
STRUCT. #	ELEV.	DESC.	SIZE	MATERIAL	COMMENTS
(A)	312.64	TOP		MANHOLE	UNABLE TO OPEN
(B)	306.56 300.35 300.31	TOP INV. IN INV. OUT	12" 12"	MANHOLE TERRA COTTA TERRA COTTA	FROM STRUCT. C TO STRUCT. A
(C)	311.28 303.78	TOP INV. OUT	12"	MANHOLE TERRA COTTA	TO STRUCT. B

**TRAVERSE DATA**

NO.	NORTHING	EASTING	ELEV.	DESC.
111	523754.3464	851068.8511	308.67	REBAR & CAP
112	523979.5354	850954.3005	308.65	REBAR & CAP



**VICINITY MAP**



SYMBOL	REV.	DATE	DESCRIPTION	BY

U.S. ARMY ENGINEER DISTRICT, BALTIMORE		FILE NAME	FILE SCALE
CORPS OF ENGINEERS		BALTIMORE, MARYLAND	File: phb13
PLATE	DRAWING NUMBER	DATE:	SCALE:

BALTIMORE METROPOLITAN WATER RESOURCES  
FEASIBILITY STUDY  
HOWARD COUNTY, MD  
DEEP RUN AND TIBER/HUDSON WATERSHEDS  
STREAM SITE HB13  
COVER SHEET

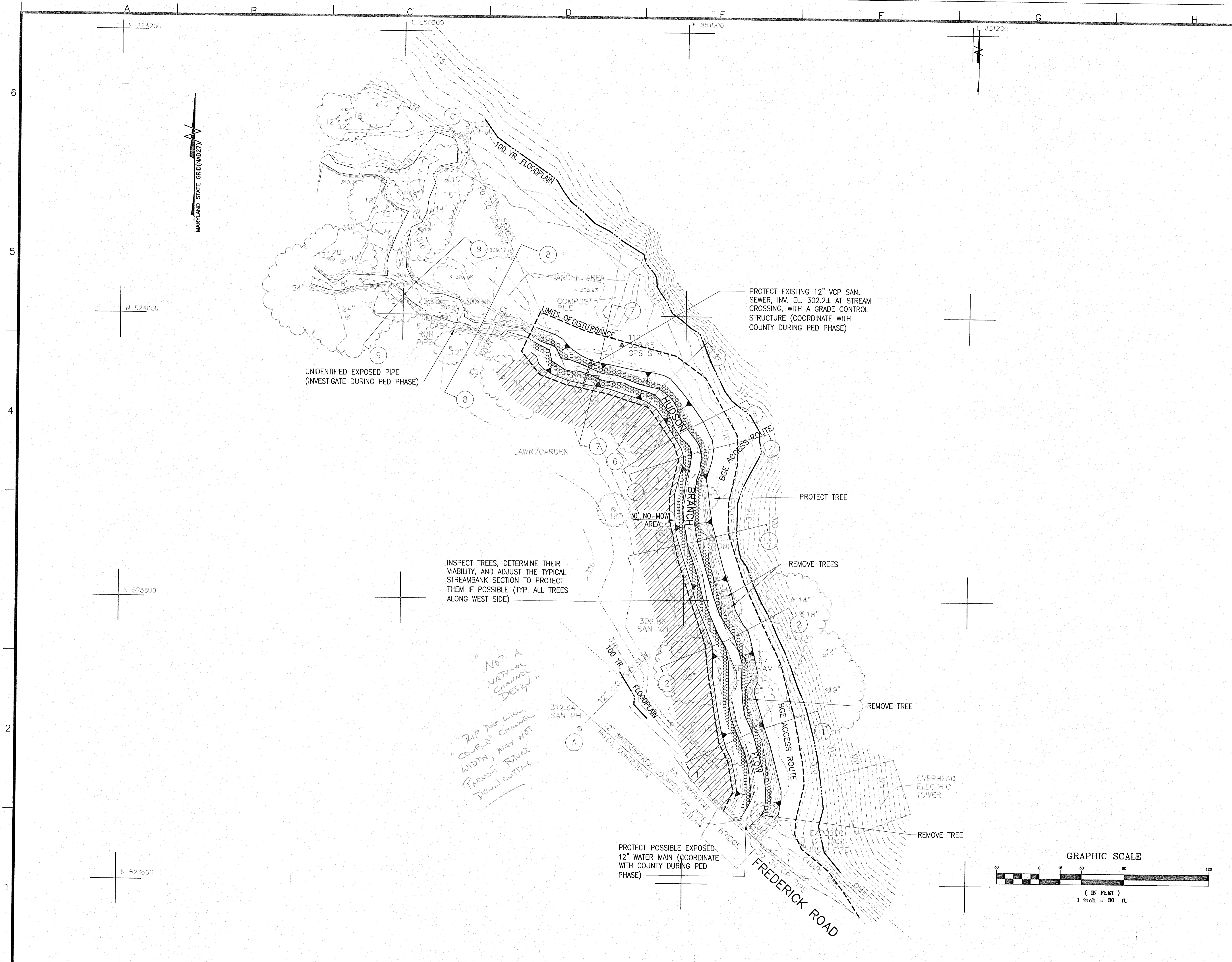
Sheet Number:  
**1 OF 7**

Updated: 10/14/98 ID = e1endwyj Plot: 12/04/98

SYMBOL	REV.	DATE	DESCRIPTION	BY

U.S. ARMY ENGINEER DISTRICT, BALTIMORE		CORPS OF ENGINEERS	
BALTIMORE, MARYLAND		FILE NAME	
PLATE	DRAWING NUMBER	FILE	FILE
SCALE:	DATE:	PLT SCALE:	DATE:

BALTIMORE METROPOLITAN WATER RESOURCES  
FEASIBILITY STUDY  
HOWARD COUNTY, MD  
DEEP RUN AND TIBER/HUDSON WATERSHEDS  
STREAM SITE HB13  
PLAN

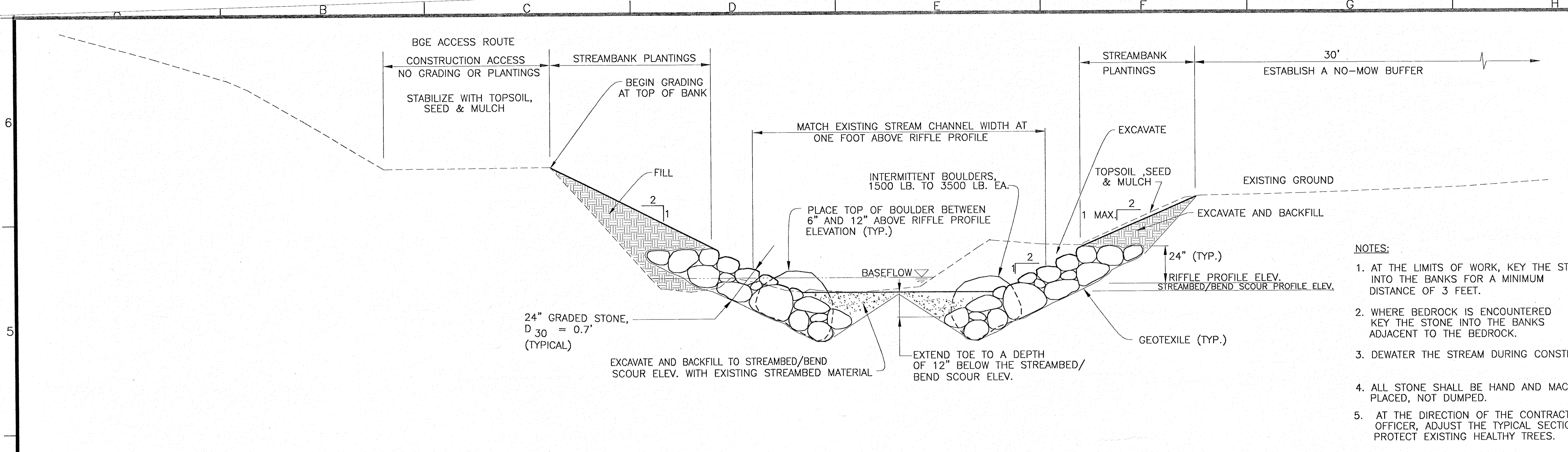


DATE USER UPDATE

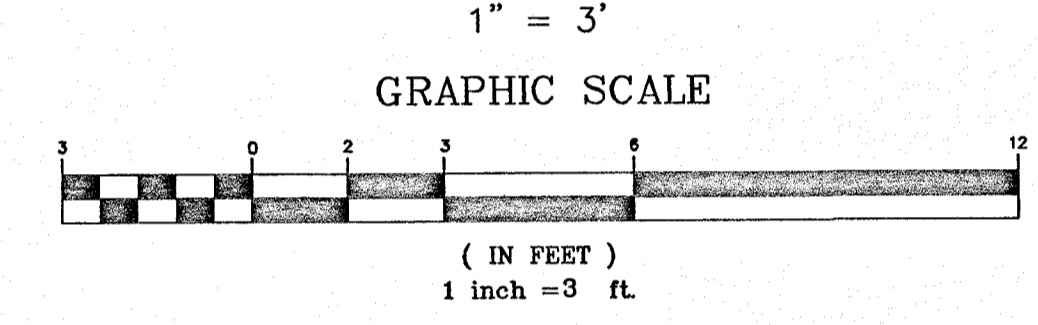
SYMBOL	REV.	DATE	DESCRIPTION

U.S. ARMY ENGINEER DISTRICT - BALTIMORE		FILE NAME
CORPS OF ENGINEERS		FILENAME
BALTIMORE, MARYLAND		
PLATE	DRAWING NUMBER	PLT SCALE:
SCALE:	DATE:	DATE:

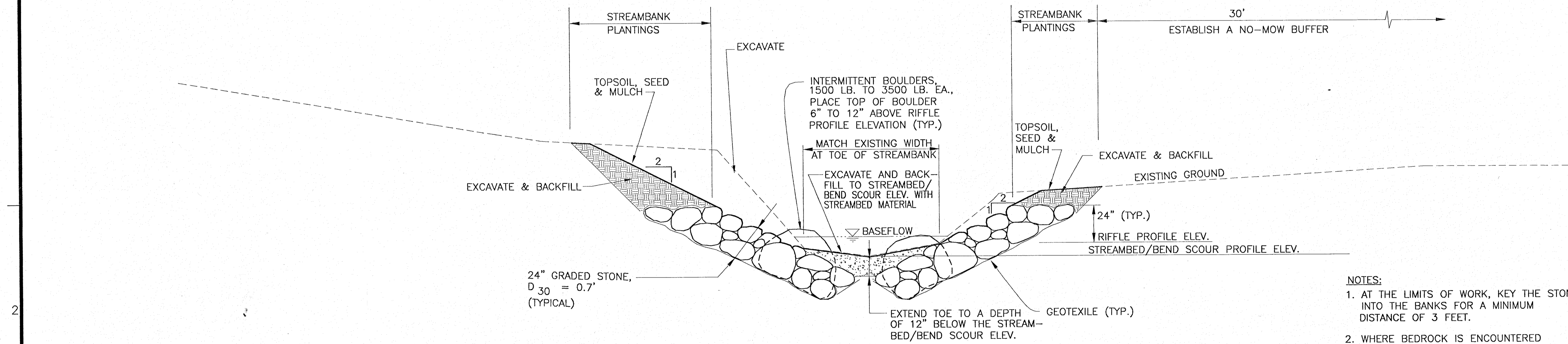
BALTIMORE METROPOLITAN WATER RESOURCES	FEASIBILITY STUDY HOWARD COUNTY, MD DEEP RUN AND TIBER/HUDSON WATERSHEDS
STREAM SITE HB13	
TYPICAL SECTIONS	



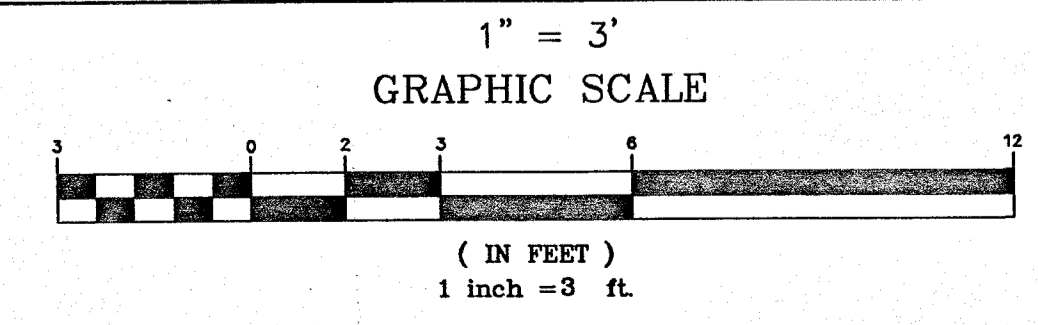
**TYPICAL SECTION ADJACENT TO BGE ACCESS ROUTE**



- NOTES:**
1. AT THE LIMITS OF WORK, KEY THE STONE INTO THE BANKS FOR A MINIMUM DISTANCE OF 3 FEET.
  2. WHERE BEDROCK IS ENCOUNTERED KEY THE STONE INTO THE BANKS ADJACENT TO THE BEDROCK.
  3. DEWATER THE STREAM DURING CONSTRUCTION.
  4. ALL STONE SHALL BE HAND AND MACHINE PLACED, NOT DUMPED.
  5. AT THE DIRECTION OF THE CONTRACTING OFFICER, ADJUST THE TYPICAL SECTION TO PROTECT EXISTING HEALTHY TREES.
  6. REFER TO CROSS SECTIONS FOR ALIGNMENT.

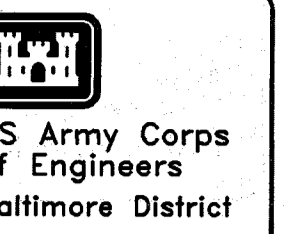


**TYPICAL SECTION UPSTREAM OF BGE ACCESS ROUTE**



- NOTES:**
1. AT THE LIMITS OF WORK, KEY THE STONE INTO THE BANKS FOR A MINIMUM DISTANCE OF 3 FEET.
  2. WHERE BEDROCK IS ENCOUNTERED KEY THE STONE INTO THE BANKS ADJACENT TO THE BEDROCK.
  3. DEWATER THE STREAM DURING CONSTRUCTION.
  4. ALL STONE SHALL BE HAND AND MACHINE PLACED, NOT DUMPED.
  5. AT THE DIRECTION OF THE CONTRACTING OFFICER, ADJUST THE TYPICAL SECTION TO PROTECT EXISTING HEALTHY TREES.
  6. REFER TO THE CROSS SECTIONS FOR ALIGNMENT.

DATE: \_\_\_\_\_  
USERNAME: \_\_\_\_\_  
UPDATED: \_\_\_\_\_



US Army Corps of Engineers  
Baltimore District

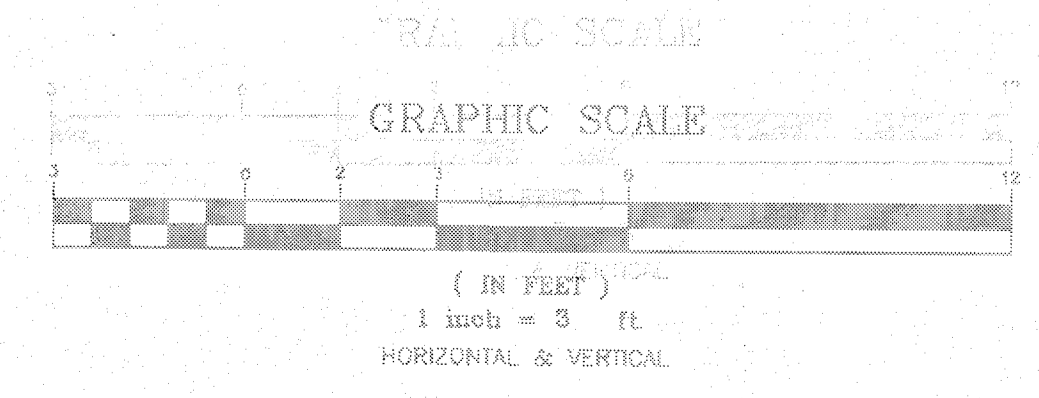
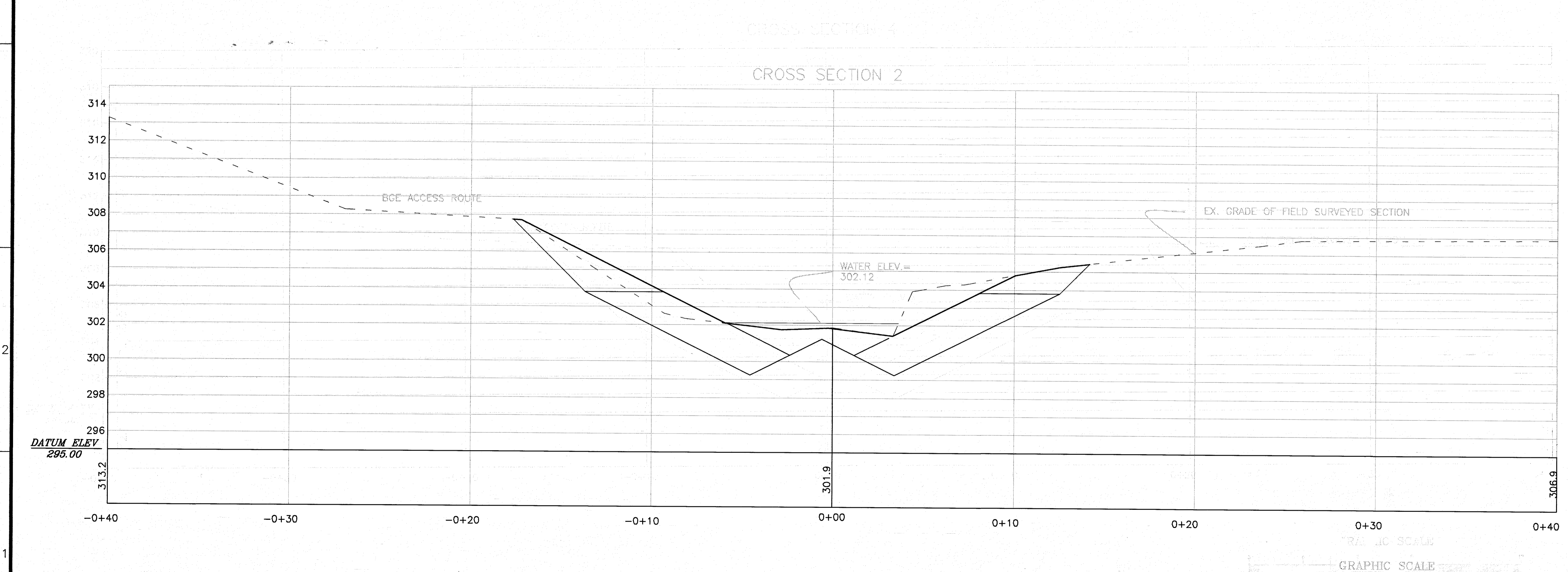
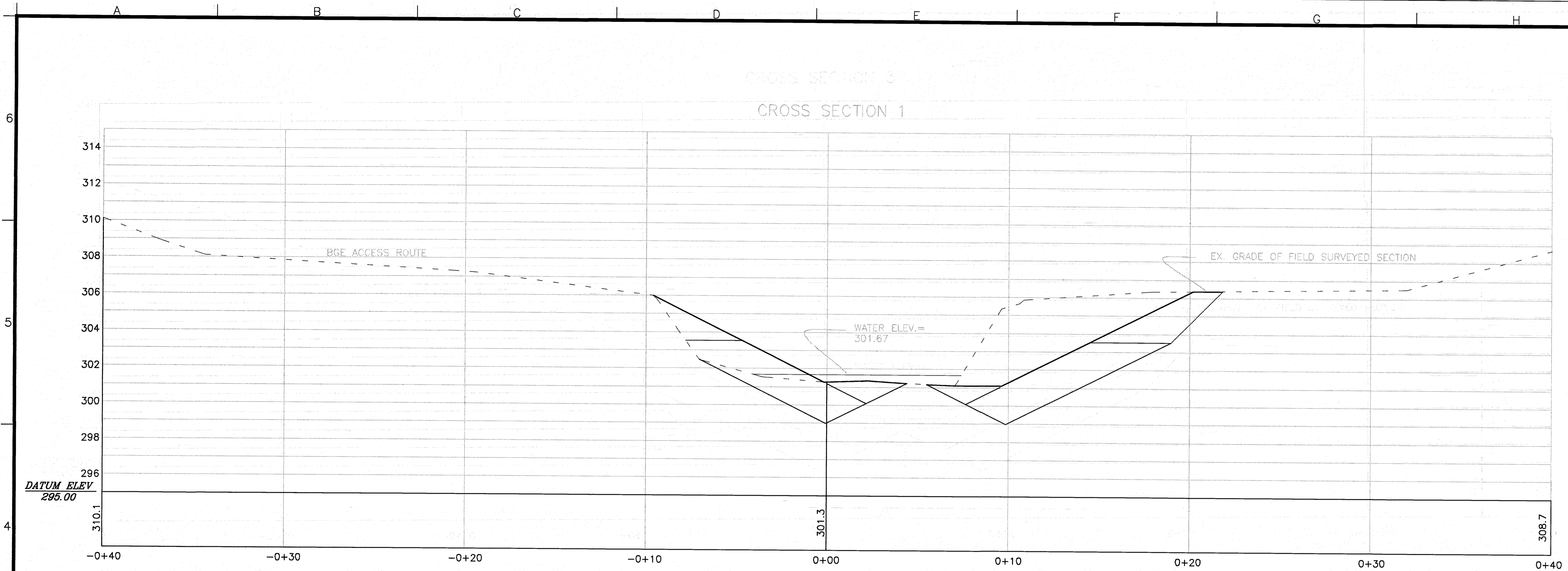
SYMBOL	REV.	DATE	DESCRIPTION	BY

U.S. ARMY ENGINEER DISTRICT, BALTIMORE CORPS OF ENGINEERS BALTIMORE, MARYLAND		FILE NAME File: XXXX	PLT SCALE: 1"=3'
PLATE	DRAWING NUMBER	DATE:	DATE:

BALTIMORE METROPOLITAN WATER RESOURCES  
FEASIBILITY STUDY  
HOWARD COUNTY, MD.  
DEEP RUN AND TIBER/HUDSON WATERSHEDS  
STREAM SITE HB13  
CROSS SECTIONS

Sheet Number:  
4 OF 7

Updated: 3/4/97 ID = e1endow9 Plot: 3/04/97

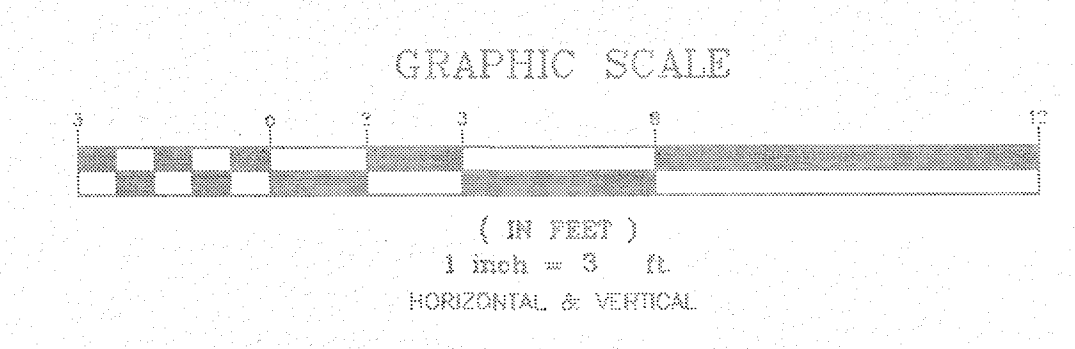
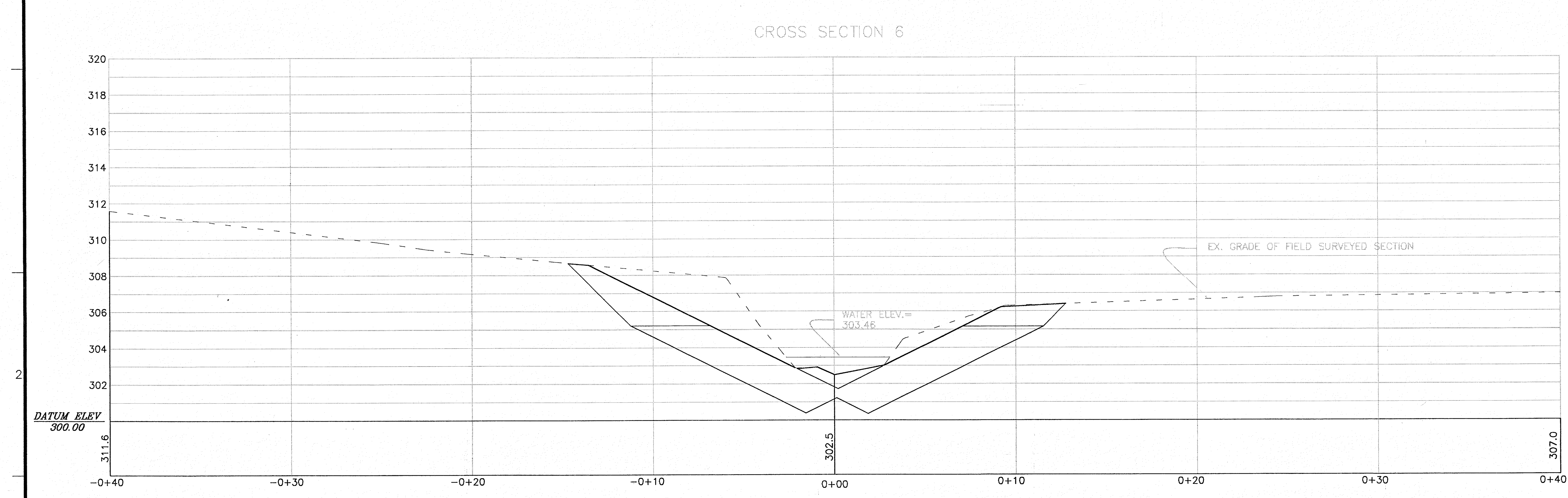
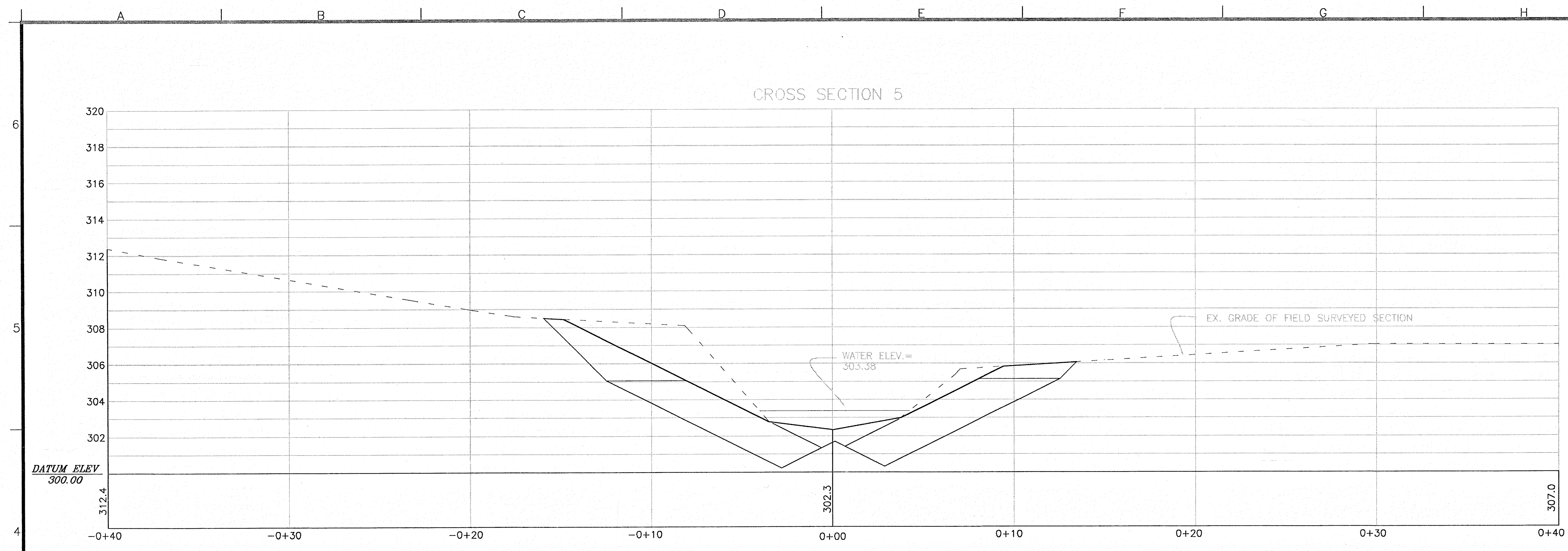


SYMBOL	REV.	DATE	DESCRIPTION	BY

U.S. ARMY ENGINEER DISTRICT, BALTIMORE		FILE NAME	PLOT SCALE: 1"=3'
CORPS OF ENGINEERS		FILE: XXXX	
PLATE	DRAWING NUMBER	DATE:	DATE:
SCALE: 1"=3'			

BALTIMORE METROPOLITAN WATER RESOURCES  
FEASIBILITY STUDY  
HOWARD COUNTY, MD.  
DEEP RUN AND TIBER/HUDSON WATERSHEDS  
STREAM SITE HB13  
CROSS SECTIONS

Updated: 3/4/97 ID = e1endav9 Plot: 3/04/97



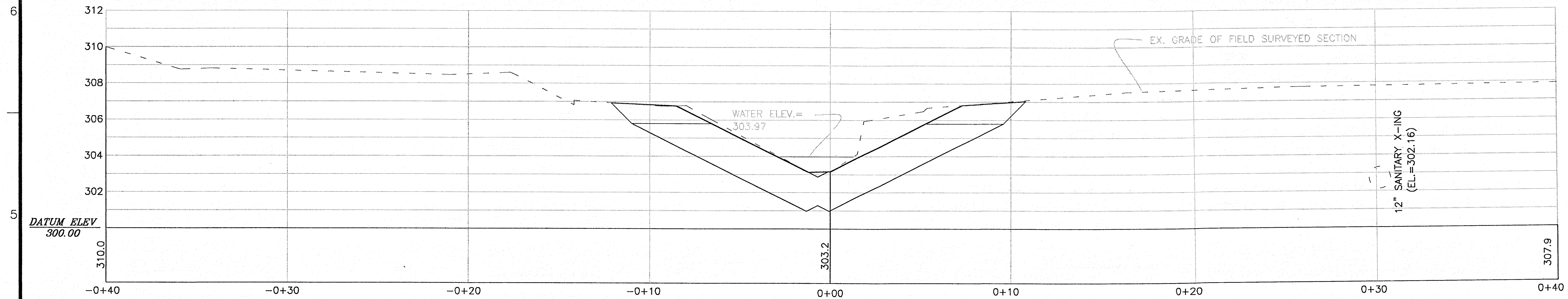
SYMBOL	REV.	DATE	DESCRIPTION

U.S. ARMY ENGINEER DISTRICT, BALTIMORE		FILE NAME	PLT SCALE: 1"=3'
CORPS OF ENGINEERS		FILE:XXXX	
BALTIMORE, MARYLAND			
PLATE	DRAWING NUMBER	DATE:	

BALTIMORE METROPOLITAN WATER RESOURCES  
FEASIBILITY STUDY  
HOWARD COUNTY, MD.  
DEEP RUN AND TIBER/HUDSON WATERSHEDS  
STREAM SITE HB13  
CROSS SECTIONS

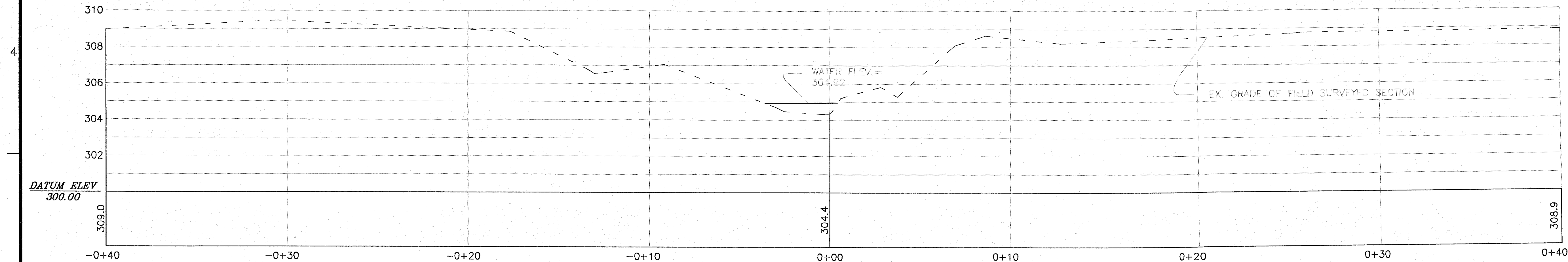
Updated: 8/16/98 ID = etendwjd Plot: 8/17/98

CROSS SECTION 7



12" SAN. SEWER ( INV. EL. 302.2 ± ) CROSSES  
STREAM BETWEEN SECTIONS 7 AND 8

CROSS SECTION 8



AN UNKNOWN 6" CAST IRON PIPE ( TOP EL. 306.0 ± )  
CROSSES ABOVE THE STREAM BETWEEN SECTIONS 8 AND 9

CROSS SECTION 9

