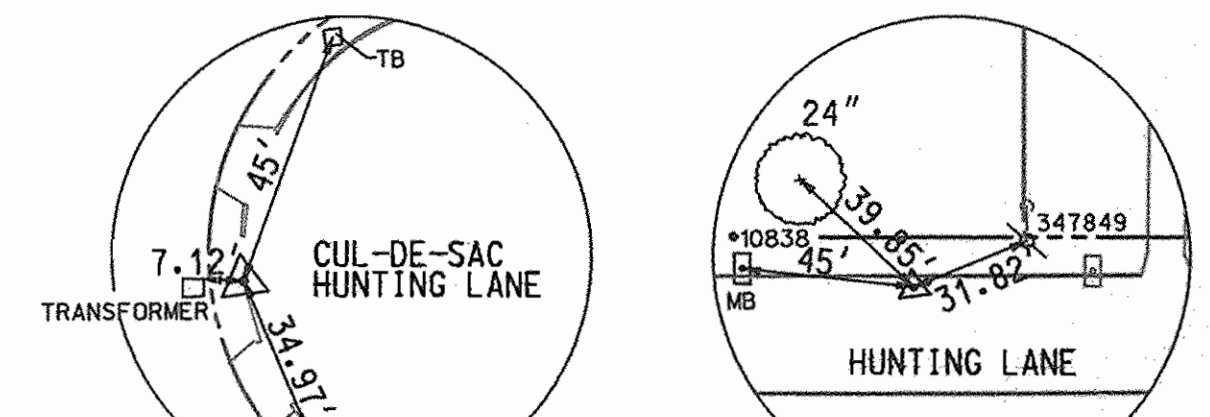
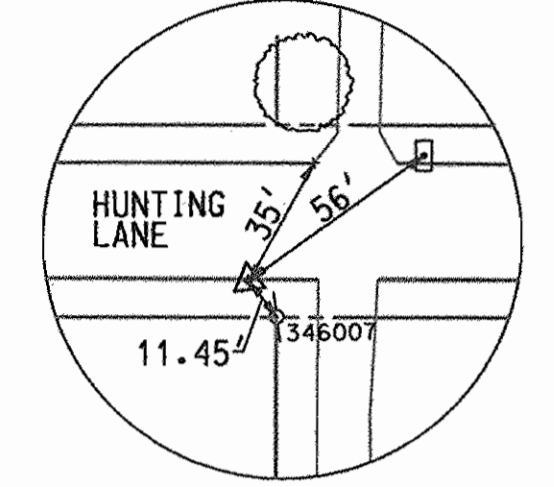


PLAN
1" = 50'



TRAV. #6
SCALE=N.T.S

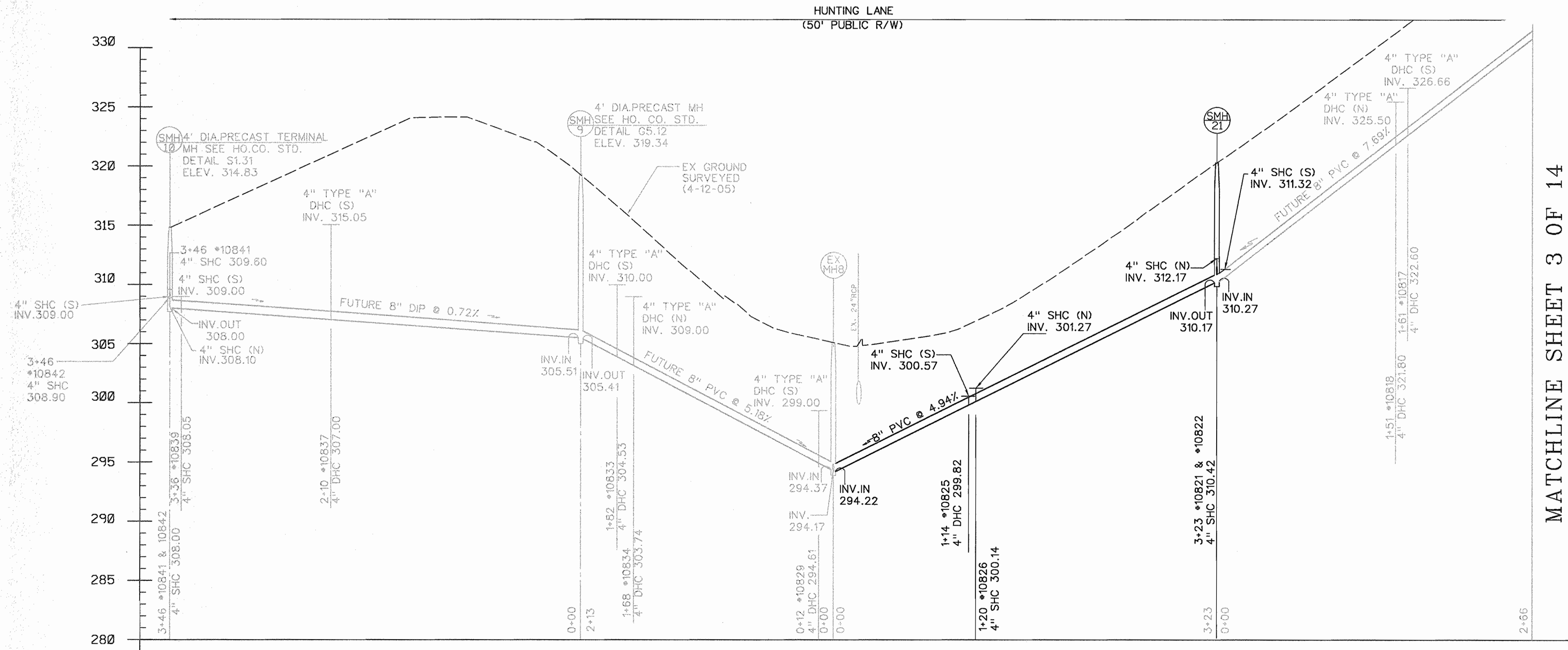
TRAV. #7
SCALE=N.T.S



TRAV. #26
SCALE=N.T.S

TRAVERSE COORDINATE SCHEDULE			
NUMBER	NORTHING	EASTING	ELEVATION
TRAV.#6	550711.70	1343033.36	313.57
TRAV.#7	550694.60	1343289.54	324.17
TRAV.#26	550592.57	1343843.04	314.17

SANITARY SEWER STAKEOUT COORDINATES SCHEDULE		
NAME	NORTHING	EASTING
SMH 21	550586.10	1343932.92



PROFILE
SCALE: HORIZONTAL 1"=50'
VERTICAL 1"=5'

NOTE:
MANHOLE COVER TO MEET
EXISTING GRADE

MATCHLINE SHEET 3 OF 14

PROFESSIONAL CERTIFICATION.
I HEREBY CERTIFY THAT THESE DOCUMENTS WERE
PREPARED OR APPROVED BY ME, AND THAT
I AM A DULY LICENSED PROFESSIONAL
ENGINEER UNDER THE LAWS OF THE STATE
OF MARYLAND, LICENSE NO. 15528
EXPIRATION DATE: 9/12/2009

AS BUILT

DEPARTMENT OF PUBLIC WORKS HOWARD COUNTY, MARYLAND 						HUNTING LANE 8" SEWER PLAN AND PROFILE		HOLIDAY HILLS / RIVERSIDE ESTATES WATER & SEWER MAIN EXTENSIONS CAPITAL PROJECT No. S-6251 CONTRACT No. 34-4352		SCALE AS SHOWN
DIRECTOR OF PUBLIC WORKS DATE: 3/21/08		CHIEF, BUREAU OF ENGINEERING DATE: 3/25/08		CHIEF, UTILITY DESIGN DIVISION DATE: 3/25/08		DES: GW DRN: CK CHK: TW DATE: 1 BY NO. AS BUILT FEB. 3, 2006 BY W. F. WILSON		ELECTION DISTRICT NO. 5 HOWARD COUNTY, MARYLAND		SHEET 1 OF 1