

QUANTITY TABLE

ITEMS	QUANTITIES ESTIMATED	QUANTITIES		MANUFACTURER/SUPPLIER
		TYPE		
8" WATER MAIN	1501 L.F.			
6" WATER MAIN	250 L.F.			
1.5" WATER HOUSE CONNECTION	1270 L.F.			
HIGH DEFLECTION COUPLINGS	3 EACH			
8" TEE	3 EACH			
1/8 H.B. (8")	3 EACH			
1/16 H.B. (8")	8 EACH			
1/32 H.B. (8")	4 EACH			
8"x6" F.H.T. & V.	4 EACH			
F.H.	4 EACH			
8" CAP & BUTTRESS	2 EACH			
12"x8" TAP SLEEVE AND VALVE	2 EACH			
12" VALVE	1 EACH			
8"x6" REDUCER	1 EACH			
1/16 H.B. (6")	1 EACH			
1/32 H.B. (6")	1 EACH			
6" CAP & BUTTRESS	1 EACH			
1.5" DRAIN	1 EACH			
8" PVC SEWER MAIN	136 L.F.			
MANHOLES	3 EACH			
NAME OF UTILITY CONTRACTOR:				
SURVEY AND DRAFTING DIVISION AS-BUILT DATE				

PLAN REFERENCE NUMBERS:
SDP-06-070

**EROSION AND SEDIMENT CONTROL
FOR THIS CONTRACT IS PROVIDED
UNDER SDP-06-070**

I/WE CERTIFY THAT ALL DEVELOPMENT AND CONSTRUCTION WILL BE DONE ACCORDING TO THIS PLAN, AND THAT ANY RESPONSIBLE PERSONNEL INVOLVED IN THE CONSTRUCTION PROJECT WILL HAVE A CERTIFICATE OF ATTENDANCE AT A DEPARTMENT OF THE ENVIRONMENT APPROVED TRAINING PROGRAM FOR THE CONTROL OF SEDIMENT AND EROSION BEFORE BEGINNING THE PROJECT. I ALSO AUTHORIZE PERIODIC ON-SITE INSPECTION BY THE HOWARD SOIL CONSERVATION DISTRICT.

August F. Cole, Jr. 03/27/08
DEVELOPER'S SIGNATURE DATE
DEVELOPER'S NAME

I HEREBY CERTIFY THAT THIS PLAN FOR EROSION AND SEDIMENT CONTROL REPRESENTS A PRACTICAL AND WORKABLE PLAN BASED ON MY PERSONAL KNOWLEDGE OF THE SITE CONDITIONS AND THAT IT WAS PREPARED IN ACCORDANCE WITH THE REQUIREMENTS OF THE HOWARD SOIL CONSERVATION DISTRICT.

R. Jacob Hikmat 4/15/08
ENGINEER'S SIGNATURE DATE
ENGINEER'S NAME

THIS DEVELOPMENT PLAN IS APPROVED FOR SOIL EROSION AND SEDIMENT CONTROL BY THE SOIL CONSERVATION DISTRICT.

John L. Hester 4/15/08
HOWARD SCD DATE

DEPARTMENT OF PUBLIC WORKS
HOWARD COUNTY, MARYLAND

John C. ... 4/15/08
CHIEF, BUREAU OF UTILITIES DATE

DEPARTMENT OF PLANNING & ZONING
HOWARD COUNTY, MARYLAND

William ... 4/15/08
CHIEF, DEVELOPMENT ENGINEERING DIVISION DATE

**MILDENBERG,
BOENDER & ASSOC., INC.**
Engineers Planners Surveyors
5072 Dorsey Hall Drive, Suite 202, Elkton City, Maryland 21042
(410) 997-0296 Balt. (301) 621-5521 Wash. (410) 997-0298 Fax.

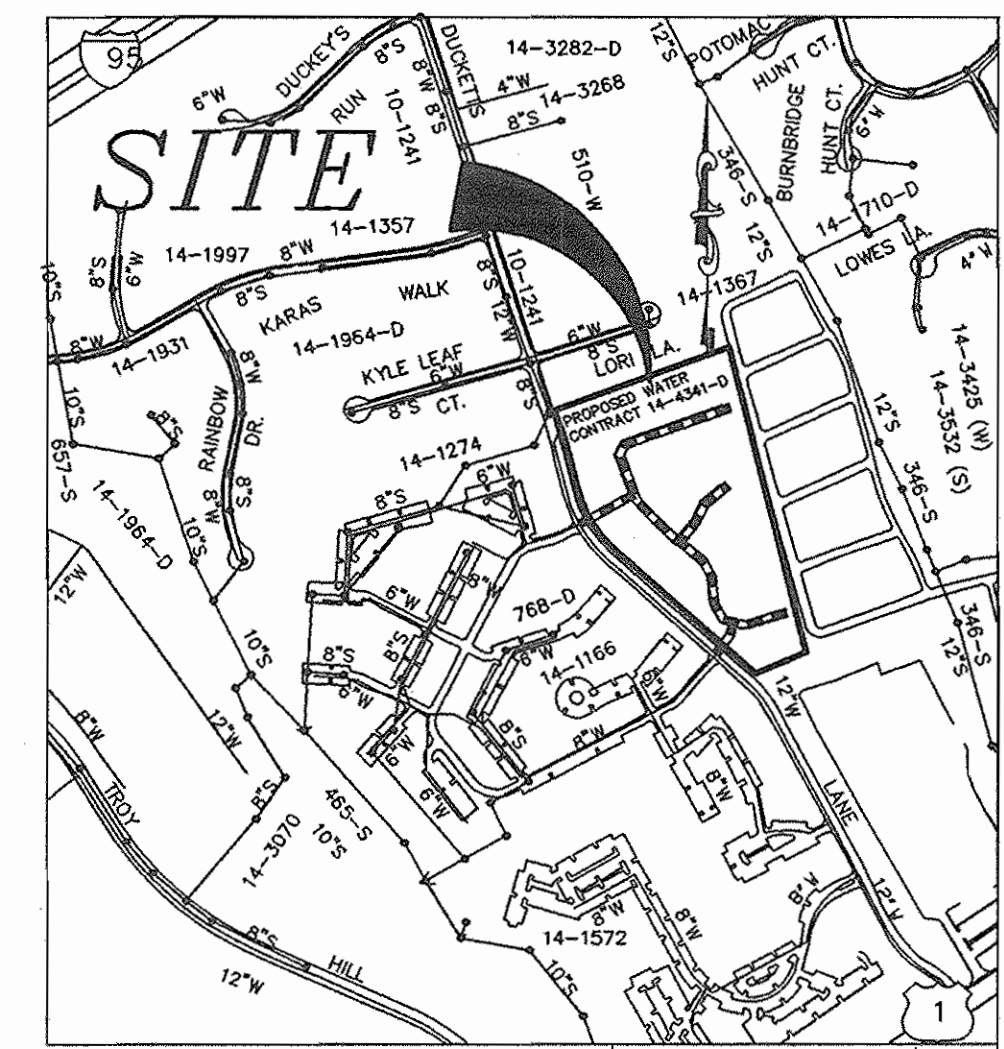
engineering RDB			
illustration RDB			
approval RH			
project 05-020			
date MARCH 2008	BY NO.	REVISION	DATE

TITLE SHEET

600' SCALE MAP NO. 37 BLOCK NO. 12

**DUCKETT'S RIDGE
UNITS 1-52 &
COMMUNITY BUILDING**
CONTRACT NO.: 14-4341-D
FIRST ELECTION DISTRICT
HOWARD COUNTY, MARYLAND

scale AS SHOWN
1 OF 4



ADC MAP 17 D.8
WATER CODE D-08
SEWER CODE 2152700
TEST GRADIENT .700

VICINITY MAP
SCALE 1"=600'

TYPE OF BUILDING	SINGLE FAMILY ATTACHED (SFA)
No. OF UNITS	52
No. OF WATER HOUSE CONNECTION	53
No. OF SEWER HOUSE CONNECTIONS	NA
DRAINAGE AREA	PATAESCO
TREATMENT PLANT	PATAESCO WWTP

GENERAL NOTES

- APPROXIMATE LOCATIONS OF EXISTING MAINS ARE SHOWN. THE CONTRACTOR SHALL TAKE ALL NECESSARY PRECAUTIONS TO PROTECT EXISTING MAINS AND SERVICES AND MAINTAIN UNINTERRUPTED SERVICE. ANY DAMAGE INCURRED SHALL BE REPAIRED IMMEDIATELY TO THE SATISFACTION OF THE ENGINEER AT THE CONTRACTOR'S EXPENSE.
- TOPOGRAPHIC FIELD SURVEYS WERE PERFORMED ON FEBRUARY 2002 BY MILDENBERG BOENDER & ASSOCIATES.
- HORIZONTAL AND VERTICAL SURVEY CONTROLS: THE COORDINATES SHOWN ON THE DRAWINGS ARE BASED ON MARYLAND STATE REFERENCE SYSTEM NAD '83/91 AS PROJECTED BY HOWARD COUNTY GEODETIC CONTROL STATIONS NO. 43R1 AND NO. 43B2. ALL VERTICAL CONTROLS ARE BASED ON NAVD '29. VERTICAL CONTROLS PROVIDED ON THE DRAWINGS ARE HO.CO. GEODETIC CONTROL STA. 38AA & 38BA.
- ALL PIPE ELEVATIONS SHOWN ARE INVERT ELEVATIONS UNLESS OTHERWISE NOTED ON THE PLANS.
- CLEAR ALL UTILITIES BY A MINIMUM OF 12 INCHES. CLEAR ALL POLES BY 5'-0" MINIMUM OR TUNNEL AS REQUIRED UNLESS OTHERWISE NOTED. THE OWNER HAS CONTACTED THE UTILITY COMPANIES AND HAS MADE ARRANGEMENTS FOR BRACING OF POLES AS SHOWN ON THE DRAWINGS. IN THE EVENT THE CONTRACTOR'S WORK REQUIRES THE BRACING OF ADDITIONAL POLES, ANY COST INCURRED BY THE OWNER FOR THE BRACING OF ADDITIONAL POLES OR DAMAGES SHALL BE DEDUCTED FROM MONIES OWNED THE CONTRACTOR. THE CONTRACTOR SHALL COORDINATE WITH THE UTILITY COMPANIES TO SCHEDULE THE BRACING OF THE POLES.
- FOR DETAILS NOT SHOWN ON THE DRAWING, AND FOR MATERIALS AND CONSTRUCTION METHODS, USE HOWARD COUNTY DESIGN MANUAL, VOLUME IV, STANDARD SPECIFICATIONS AND DETAILS FOR CONSTRUCTION (LATEST EDITION). THE CONTRACTOR SHALL HAVE A COPY OF VOLUME IV ON THE JOB.
- WHERE TEST PITS HAVE BEEN MADE ON EXISTING UTILITIES, THEY ARE NOTED BY THE SYMBOL AT THE LOCATIONS OF THE TEST PITS. A NOTE OR NOTES CONTAINING THE RESULTS OF THE TEST PIT OR PITS IS INCLUDED ON THE DRAWINGS. EXISTING UTILITIES IN THE VICINITY OF THE PROPOSED WORK FOR WHICH TEST PITS HAVE NOT BEEN DUG SHALL BE LOCATED BY THE CONTRACTOR TWO WEEKS IN ADVANCE OF CONSTRUCTION OPERATIONS AT HIS OWN EXPENSE.
- THE CONTRACTOR SHALL NOTIFY THE FOLLOWING UTILITY COMPANIES OR AGENCIES AT LEAST FIVE WORKING DAYS BEFORE STARTING WORK SHOWN ON THESE PLANS:
AT&T1-800-252-1133
BGE(CONSTRUCTION SERVICES).....410-850-4620
BGE(EMERGENCY).....410-885-1400
BUREAU OF UTILITIES.....410-313-4900
COLONIAL PIPELINE CO.....410-766-1500
MISS UTILITY1-800-157-7777
STATE HIGHWAY ADMINISTRATION.....410-531-5533
VERIZON.....1-800-743-0033/410-224-9210
- TREES AND SHRUBS ARE TO BE PROTECTED FROM DAMAGE TO THE MAXIMUM EXTENT. TREES AND SHRUBS LOCATED WITHIN THE CONSTRUCTION STRIP ARE NOT TO BE REMOVED OR DAMAGED BY THE CONTRACTOR.
- THE CONTRACTOR SHALL REMOVE TREES, STUMPS AND ROOTS ALONG THE LINE OF EXCAVATED. PAYMENT FOR SUCH REMOVAL SHALL BE INCLUDED IN THE UNIT PRICE BID FOR CONSTRUCTION OF THE MAIN.
- THE CONTRACTOR SHALL NOTIFY THE BUREAU OF HIGHWAYS, HOWARD COUNTY, AT (410)313-7450 AT LEAST FIVE WORKING DAYS BEFORE OPEN CUTTING OR BORING/JACKING OF ANY COUNTY ROAD FOR LAYING WATER/SEWER MAINS OR HOUSE CONNECTIONS. THE APPROVAL OF THESE DRAWINGS WILL CONSTITUTE COMPLIANCE WITH DPW REQUIREMENTS PER SECTION 18.114(a) OF THE HOWARD COUNTY CODE.
- PLEASE USE CAUTION WHEN EXCAVATING IN THE VICINITY OF OVERHEAD ELECTRIC LINES.

WATER

- ALL WATER MAINS SHALL BE C-900 PVC PIPES.
- TOPS OF ALL WATER MAINS SHALL HAVE A MINIMUM OF 3'-6" OF COVER UNLESS OTHERWISE NOTED.
- VALVES ADJACENT TO TEES SHALL BE STRAPPED TO TEES.
- ALL FITTINGS SHALL BE BUTTRESSED OR ANCHORED WITH CONCRETE IN ACCORDANCE WITH STANDARD DETAILS UNLESS OTHERWISE PROVIDED FOR ON THE DRAWINGS.
- FIRE HYDRANTS SHALL BE SET TO THE BURY LINE ELEVATIONS SHOWN ON THE DRAWINGS. ALL FIRE HYDRANTS SHALL BE INSTALLED IN ACCORDANCE WITH STANDARD DETAILS. THE SOIL AROUND THE FIRE HYDRANT SHALL BE COMPACTED IN ACCORDANCE WITH SECTION 1000 AND SECTION 1005 OF THE STANDARD SPECIFICATIONS.
- THE CONTRACTOR SHALL NOT OPERATE ANY WATER MAIN VALVES ON THE EXISTING WATER SYSTEM.
- ALL WATER HOUSE CONNECTIONS SHALL BE FOR OUTSIDE 1" OUTSIDE METER SETTING UNLESS OTHERWISE NOTED ON PLANS OR IN SPECIFICATIONS.

SEWER

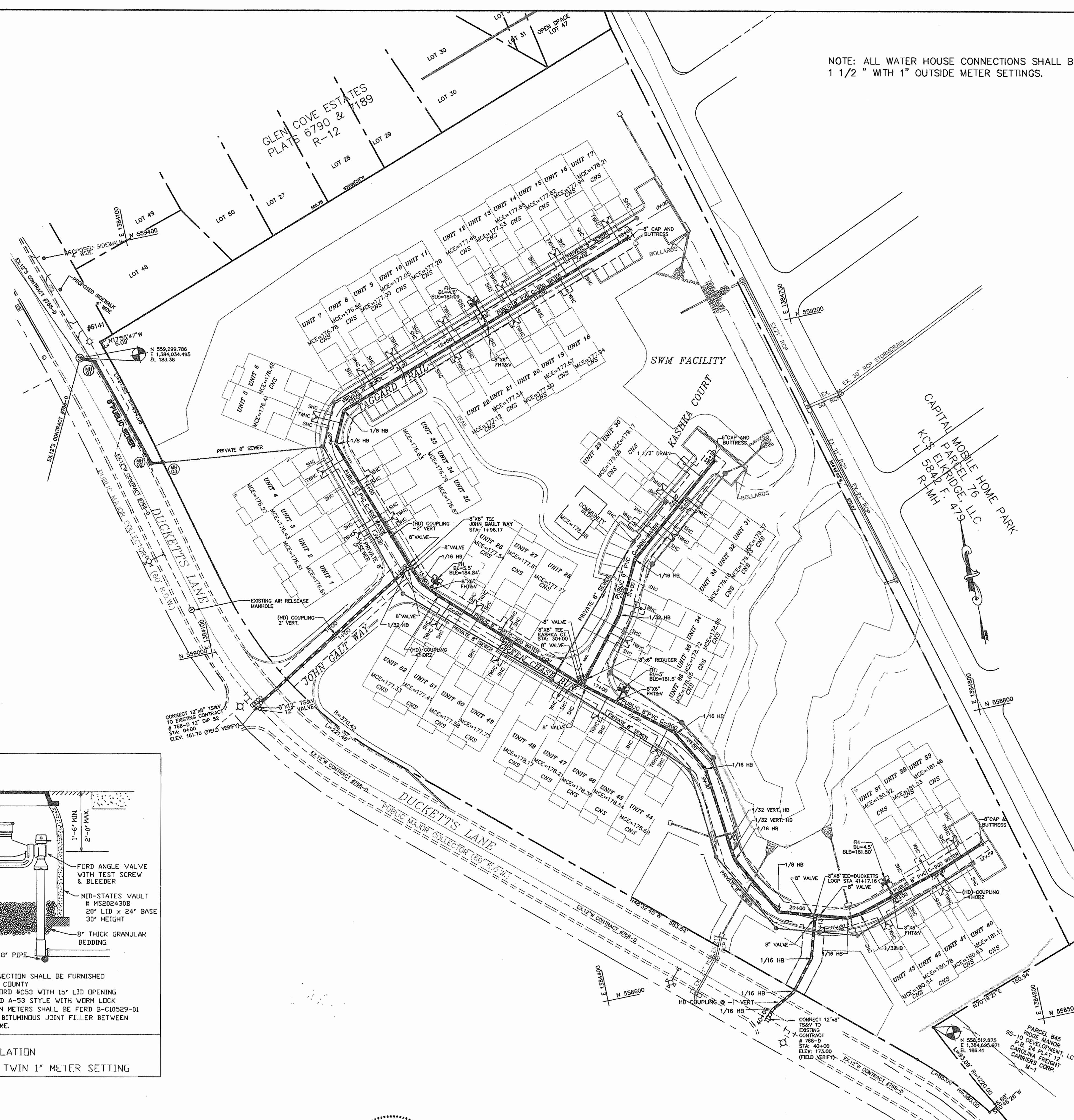
- ALL SEWER MAINS SHALL BE D.I.P. OR P.V.C. UNLESS OTHERWISE NOTED.
- ALL MANHOLES SHALL BE 4'-0" INSIDE DIAMETER UNLESS OTHERWISE NOTED.
- HOUSE(S) WITH THE SYMBOL "c.n.s." INDICATES THAT CELLAR CANNOT BE SERVED.

INDEX OF DRAWINGS

NO.	DESCRIPTION
1	TITLE SHEET
2	PUBLIC WATER AND SEWER PLAN
3	PUBLIC WATER AND SEWER PROFILES
4	PVC C-900 NOTES AND DETAILS

OWNER & DEVELOPER
BRANTLY DEVELOPMENT GROUP
8835-P COLUMBIA 100 PARKWAY
COLUMBIA MD 21045
(410) 730-8810

NOTE: ALL WATER HOUSE CONNECTIONS SHALL BE 1 1/2" WITH 1" OUTSIDE METER SETTINGS.



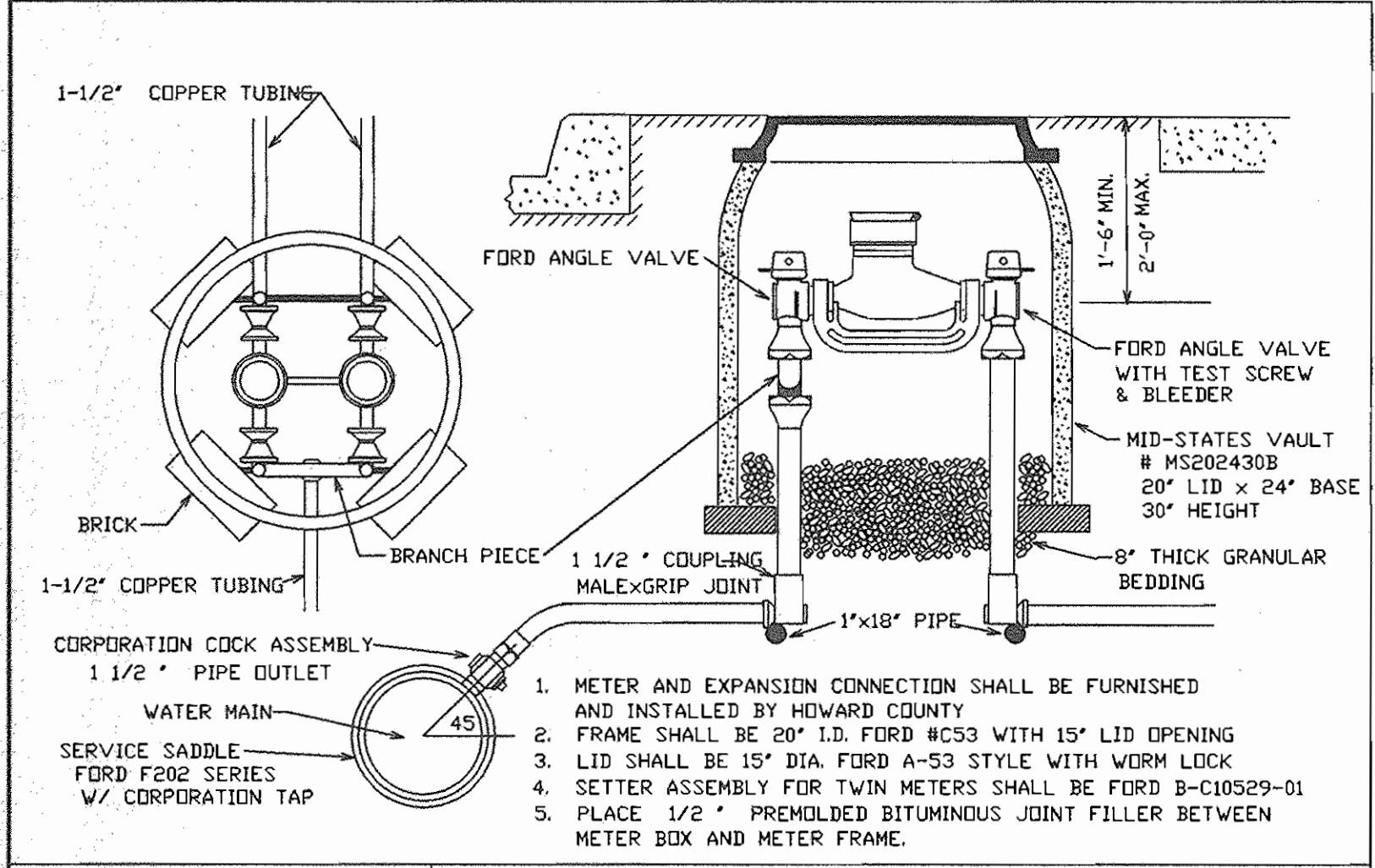
MANHOLE LOCATION CHART		
MANHOLE NUMBER	NORTHING	EASTING
1	559,293.1	1,384,047.9
2	559,188.0	1,384,080.5
3	559,186.6	1,384,091.4

WATER MAIN TABULATION CHART		
APPURTENANCE	NORTHING	EASTING
8" 1/16 H.B.	558527.4	1384573.6
8" 1/16 H.B.	558600.6	1384596.6
8" 1/16 H.B.	558600.6	1384596.6
8"X12" TS&V	558552.4	1384544.5
8"X12" TS&V	558942.0	1384132.0
12" VALVE	558939.6	1384133.4
8" HD COUPLING	558648.8	1384559.4

KASHKA COURT	
APPURTENANCE	STATION + OFFSET
8"X6" REDUCER	STA. 0+71; 2.5' RT
6" 1/32 H.B.	STA. 0+78; 1.4' LT
6" 1/16 H.B.	STA. 1+34; 1.8' RT
1 1/2" DRAIN	STA. 2+34; 17.1' LT
6" C & B	STA. 2+55; 3.0' RT

JOHN GALT WAY	
APPURTENANCE	STATION + OFFSET
8" HD COUPLING	STA. 0+93; 2.7' LT

TAGGARD TRAIL/GREEN CHASE RUN	
APPURTENANCE	STATION + OFFSET
8" C & B	STA. 0+50; 5.7' LT
F.H.T. & V.	STA. 2+07; 5.7' RT
F.H.	STA. 2+07; 17.1' RT
8" 1/8 H.B.	STA. 3+67; 3.1' LT
8" 1/8 H.B.	STA. 4+03; 3.6' LT
8" HD COUPLING	STA. 5+06; 8.2' LT
8" 1/32 H.B.	STA. 5+42; 2.5' LT
8"X8" TEE	STA. 5+42; 8.8' LT
8" 1/16 H.B.	STA. 5+61; 7.4' LT
F.H.T. & V.	STA. 5+73; 7.9' LT
F.H.	STA. 5+74; 17.1' LT
8" HD COUPLING	STA. 5+83; 7.0' LT
8"X8" TEE	STA. 7+44; 3.0' LT
F.H.	STA. 7+50; 17.8' LT
F.H.T. & V.	STA. 7+81; 4.9' LT
8" 1/16 H.B.	STA. 8+42; 8.2' LT
8" 1/16 H.B.	STA. 8+85; 3.3' LT
8" 1/32 VERT. H.B.	STA. 9+56; 6.5' LT
8" 1/32 VERT. H.B.	STA. 9+69; 1.2' LT
8" 1/16 H.B.	STA. 9+74; 0.5' LT
8" 1/8 H.B.	STA. 10+39; 5' RT
8"X8" TEE	STA. 10+74; 3.0' RT
8" 1/16 H.B.	STA. 11+05;
8" 1/32 H.B.	STA. 11+17; 1.0' LT
F.H.T. & V.	STA. 11+54; 2.1' LT
F.H.	STA. 11+55; 17.1' LT
8" HD COUPLING	STA. 12+03; 0.3' RT
8" C & B	STA. 12+49; 0.7' LT



HOWARD COUNTY, MARYLAND
 STANDARD INSTALLATION
 1 1/2" WATER SUPPLY & TWIN 1" METER SETTING

NOTE: FOR ALL SINGLE WATER HOUSE CONNECTIONS SEE DETAIL W 3.28

DEPARTMENT OF PUBLIC WORKS
 HOWARD COUNTY, MARYLAND

DEPARTMENT OF PLANNING & ZONING
 HOWARD COUNTY, MARYLAND

Shih Chen 4/2/08
 CHIEF, BUREAU OF UTILITIES DATE DATE

W. J. ... 4/16/08
 CHIEF, DEVELOPMENT ENGINEERING DIVISION DATE

MILDENBERG, BOENDER & ASSOC., INC.
 Engineers Planners Surveyors
 5072 Dorsey Hall Drive, Suite 202, Ellicott City, Maryland 21042
 (410) 997-0296 Balt. (301) 621-5521 Wash. (410) 997-0298 Paz



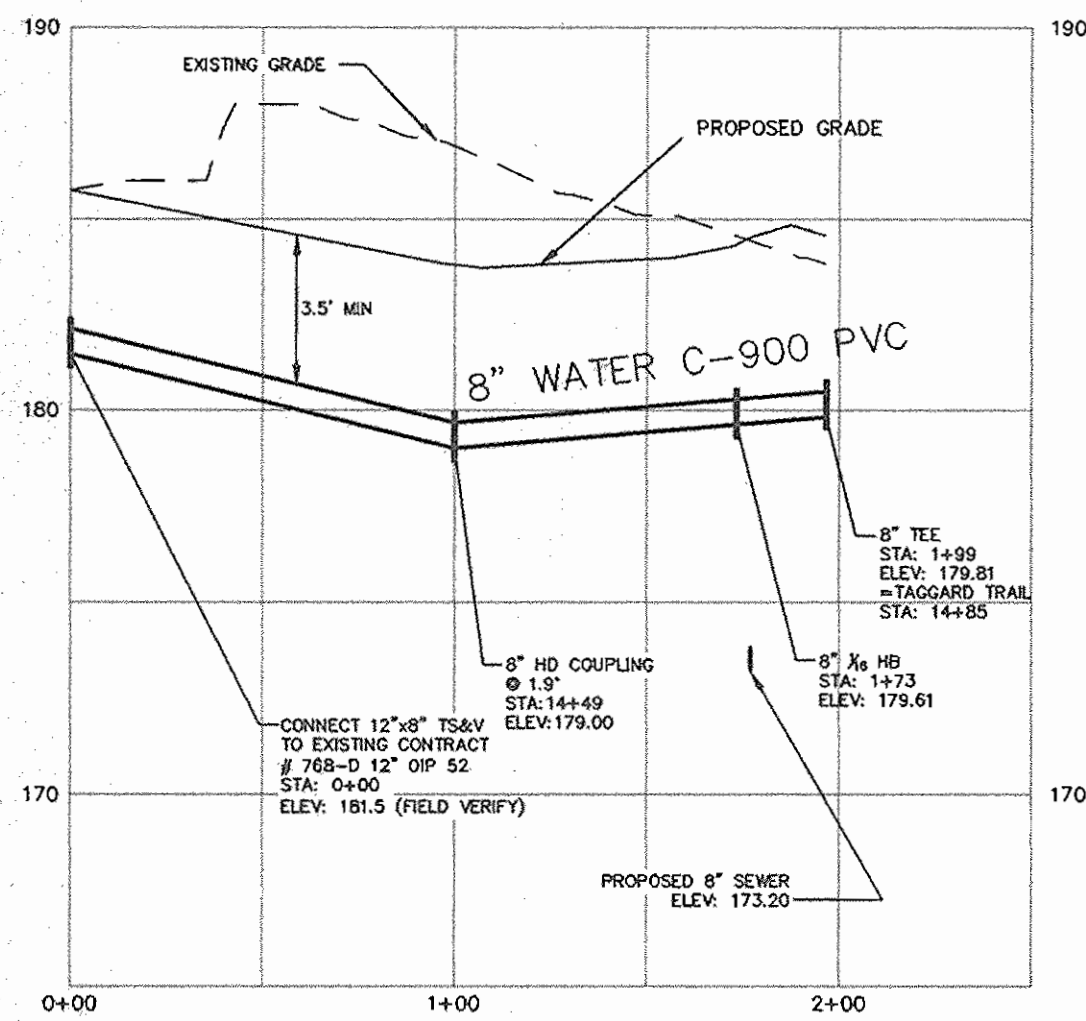
engineering	RDB				
illustration	RDB				
approval	RJH				
project	05-020				
date	MARCH 2008	BY NO.	REVISION	DATE	600' SCALE MAP NO. 37 BLOCK NO. 12

PUBLIC WATER AND SEWER PLAN

DUCKETTS RIDGE UNITS 1-52 & COMMUNITY BUILDING
 CONTRACT NO. 14-4341-D
 FIRST ELECTION DISTRICT
 HOWARD COUNTY, MARYLAND

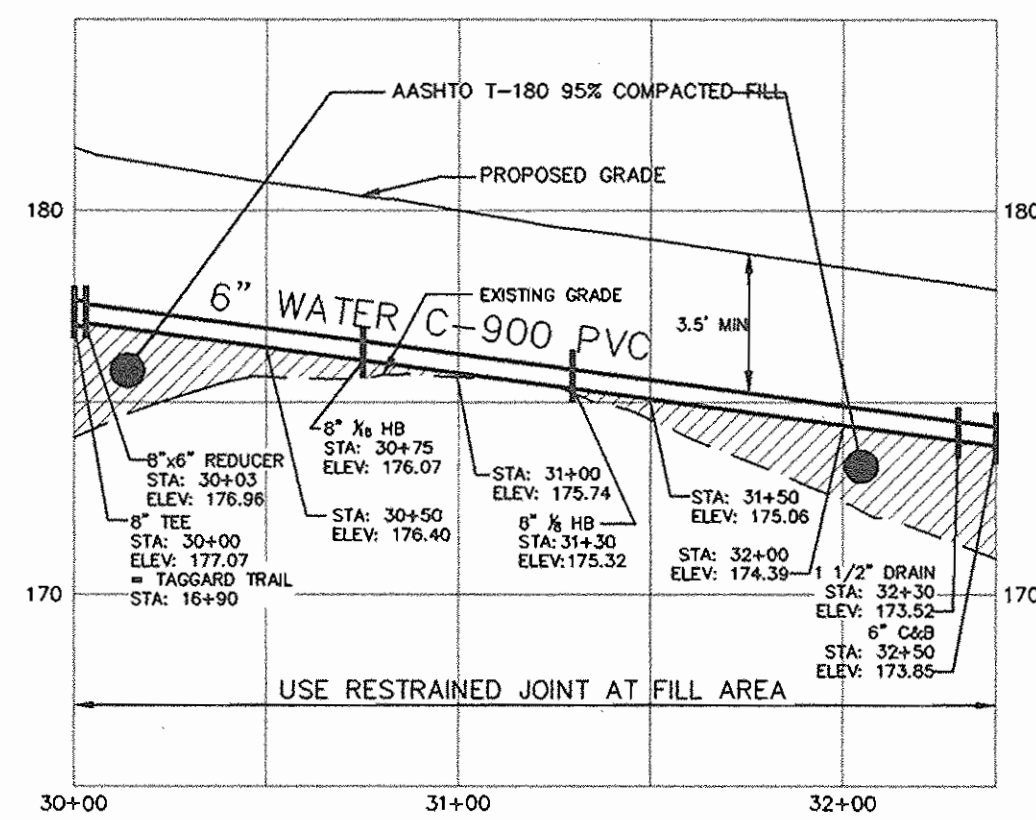
scale 1"=50'
 2 OF 4

OWNER & DEVELOPER
 BRANTLY DEVELOPMENT GROUP
 8835-P COLUMBIA 100 PARKWAY
 COLUMBIA MD 21045



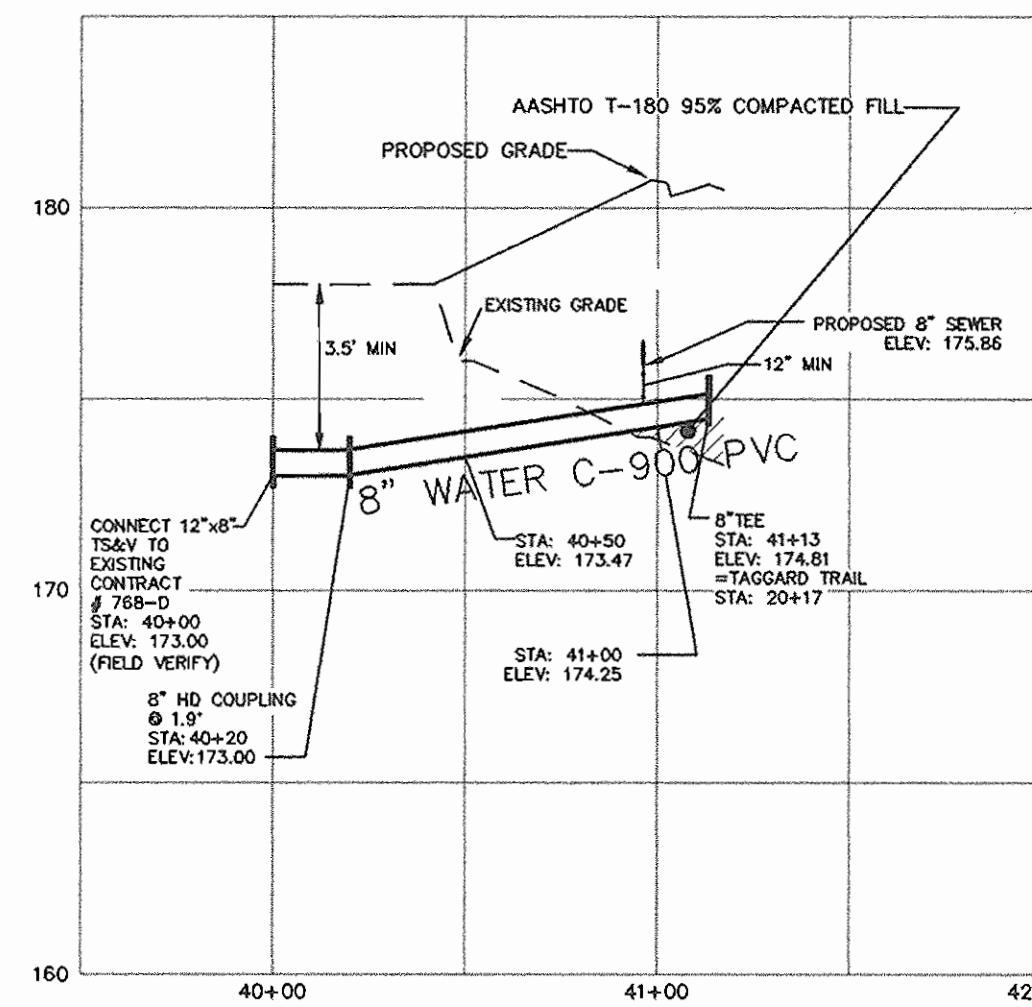
**8" WATER PROFILE
(JOHN GALT WAY)**

SCALE: VERT. 1" = 5'
HORI. 1" = 50'



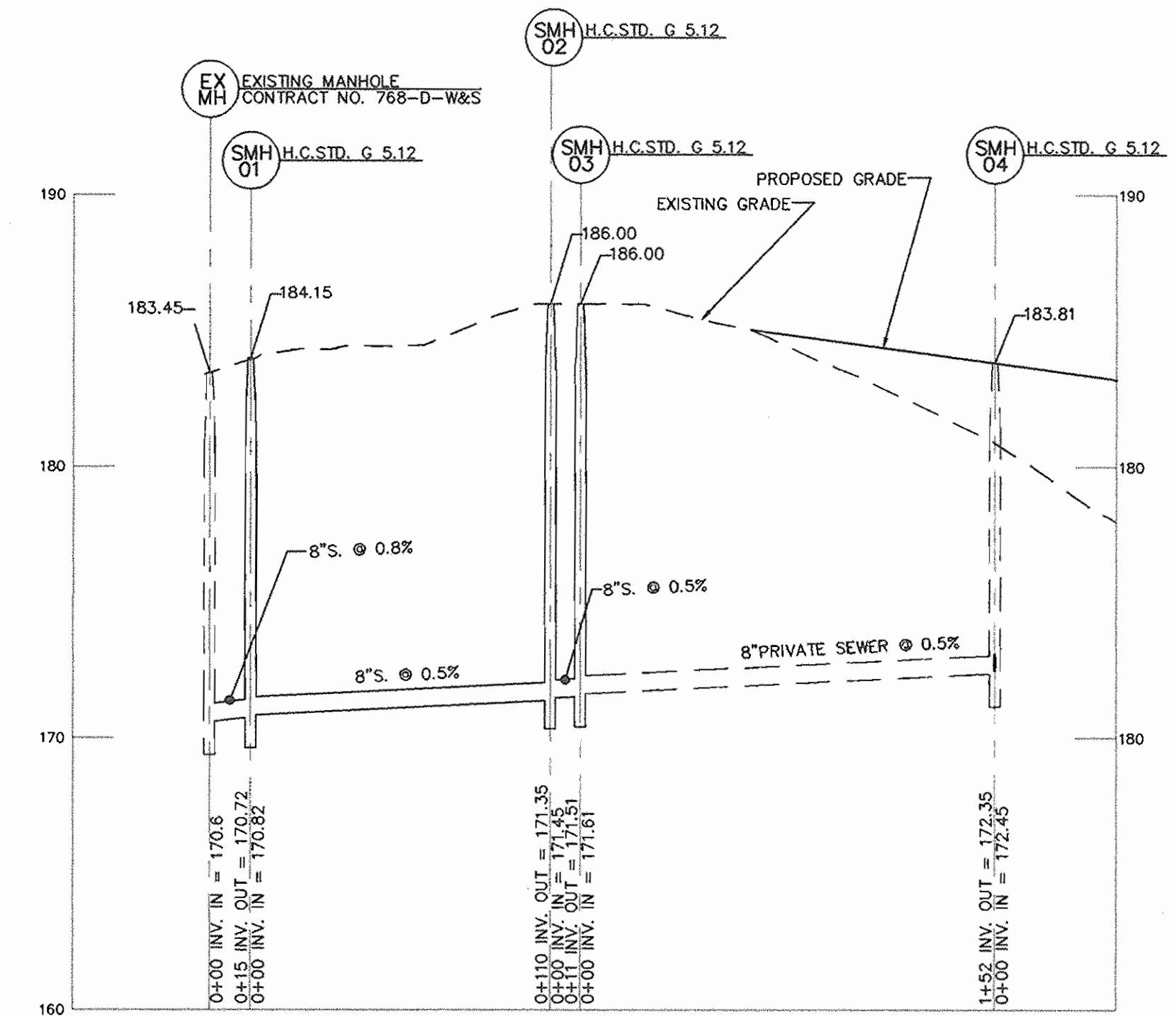
**8" WATER PROFILE
(KASHKA PROFILE)**

SCALE: VERT. 1" = 5'
HORI. 1" = 50'

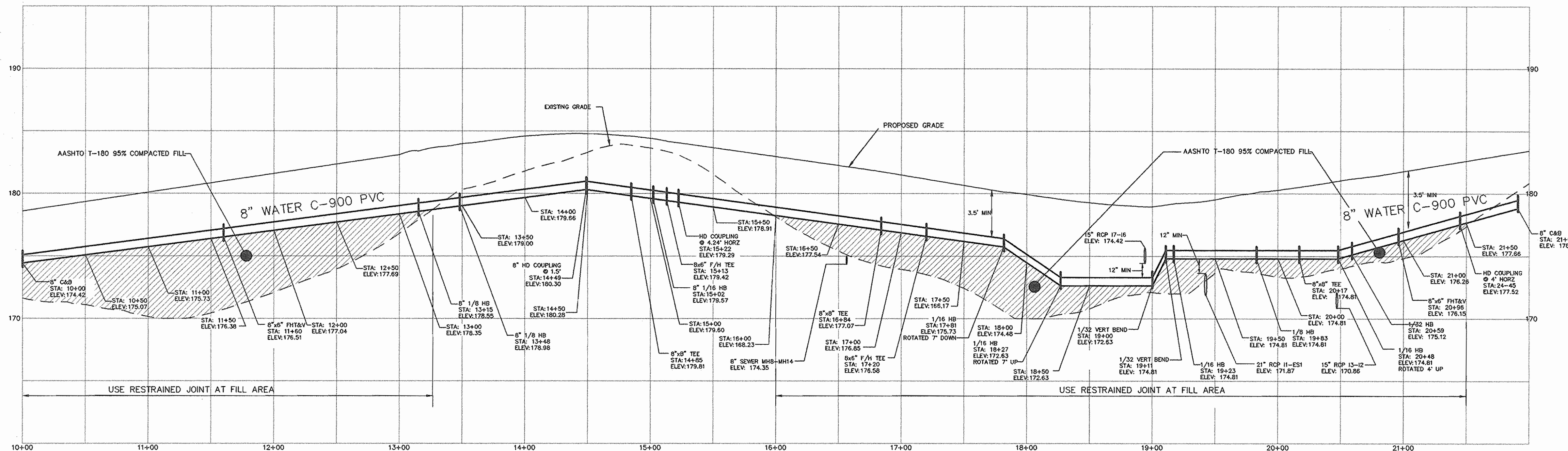


**8" WATER PROFILE
(DUCKETT'S LANE LOOP)**

SCALE: VERT. 1" = 5'
HORI. 1" = 50'



**8" SEWER PROFILE
(DUCKETT'S LANE)**



8" WATER PROFILE (TAGGARD TRAIL - GREEN CHASE RUN)

SCALE: VERT. 1" = 5'
HORI. 1" = 50'

OWNER & DEVELOPER
BRANTLY DEVELOPMENT GROUP
8835-P COLUMBIA 100 PARKWAY
COLUMBIA MD 21045

DEPARTMENT OF PUBLIC WORKS
HOWARD COUNTY, MARYLAND

DEPARTMENT OF PLANNING & ZONING
HOWARD COUNTY, MARYLAND

**MILDENBERG,
BOENDER & ASSOC., INC.**
Engineers Planners Surveyors

5072 Dorsey Hall Drive, Suite 202, Ellicott City, Maryland 21042
(410) 997-0286 Balt. (301) 621-5521 Wash. (410) 997-0288 Fax



engineering	RDB				
illustration	RDB				
approval	RDB				
project	05-020				
date	MARCH 2008	BY	NO.	REVISION	DATE

**PUBLIC WATER
AND
SEWER PROFILES**

**DUCKETTS RIDGE
UNITS 1-52 &
COMMUNITY BUILDING**
CONTRACT NO.: 14-4341-D
FIRST ELECTION DISTRICT
HOWARD COUNTY, MARYLAND

scale
AS SHOWN
3 OF 4

Chief, Bureau of Utilities
DATE

Chief, Development Engineering Division
DATE

AMENDMENT TO THE HOWARD COUNTY DESIGN MANUAL VOLUME IV - STANDARD SPECIFICATIONS AND DETAILS FOR CONSTRUCTION

Except as indicated herein, all work shall be in accordance with the pertinent sections of the Howard County Design Manual Volume IV-Standard Specifications and Details for Construction, Article 9, Sections 908 *Nonmetallic Pipes and Drainage Tiles* and Article 10, Section 1002 *Water Mains* of the Howard County Standard Specifications are amended to include the following requirements.

- GENERAL**
1. Polyvinylchloride (PVC) pipe and couplings shall be homogeneous throughout and free from visible cracks, bubbles, blisters, holes, foreign inclusions, cuts, or scrapes on inside or outside surfaces, or other imperfections, which may impair the performance or life of the pipe. Each pipe shall be straight to within 1/4-inch per 20-foot length of pipe when uniformly supported along its entire length, and shall have a true circular cross-section to within ± 1/64 inch.
 2. PVC pipe manufactured more than six months prior to work site inspection will not be accepted.
 3. Loading, unloading, handling, inspection and storage of PVC pipe and fittings shall be in accordance with AWWA C605. PVC pipe shall be stored such that it does not deform or bend.
 4. Submittals: The following items shall be submitted for review and approval prior to installation. Materials not approved will not be accepted.
 - a. PVC Pipe: Submit manufacturer's literature and certificates of compliance for PVC pipe along with the manufacturer's identification codes for nominal size, dimension ratio, pressure class, production record code and date of manufacture. Submit manufacturer's written transcript of test results, for sustained pressure, pipe dimension, burst pressure, flattening resistance, and extrusion quality test. Frequency of performing the tests and the methods of selecting test specimens shall be in accordance with AWWA C900.
 - b. PVC Pipe Fittings: Submit manufacturer's literature and certificates of compliance for PVC pipe fittings along with the manufacturer's identification codes for nominal size, pressure class, production record code and date of manufacture. Submit manufacturer's written transcript of results for accelerated-regression test, burst pressure and heat-reversion test in accordance with AWWA C907.
 - c. Miscellaneous for PVC water pipe: Submit manufacturers' literature and certificates of compliance, for joint restraint devices, pipe couplings, tracer wire, wire connector splice kits, detection tape, and service saddles.
 - d. Submit manufacturers' installation instructions for PVC pipe and fittings, joint restraint devices, pipe couplings, wire connector splice kits, service saddles, and manufacturer's instructions for tapping pipe.

MATERIALS

The Engineer will inspect all materials before, during and after installation to ensure compliance with the Contract Documents. When specific tests of materials are called for in the referenced standards and specifications, the Engineer has the option of requiring that any or all of these tests be performed for the specified materials.

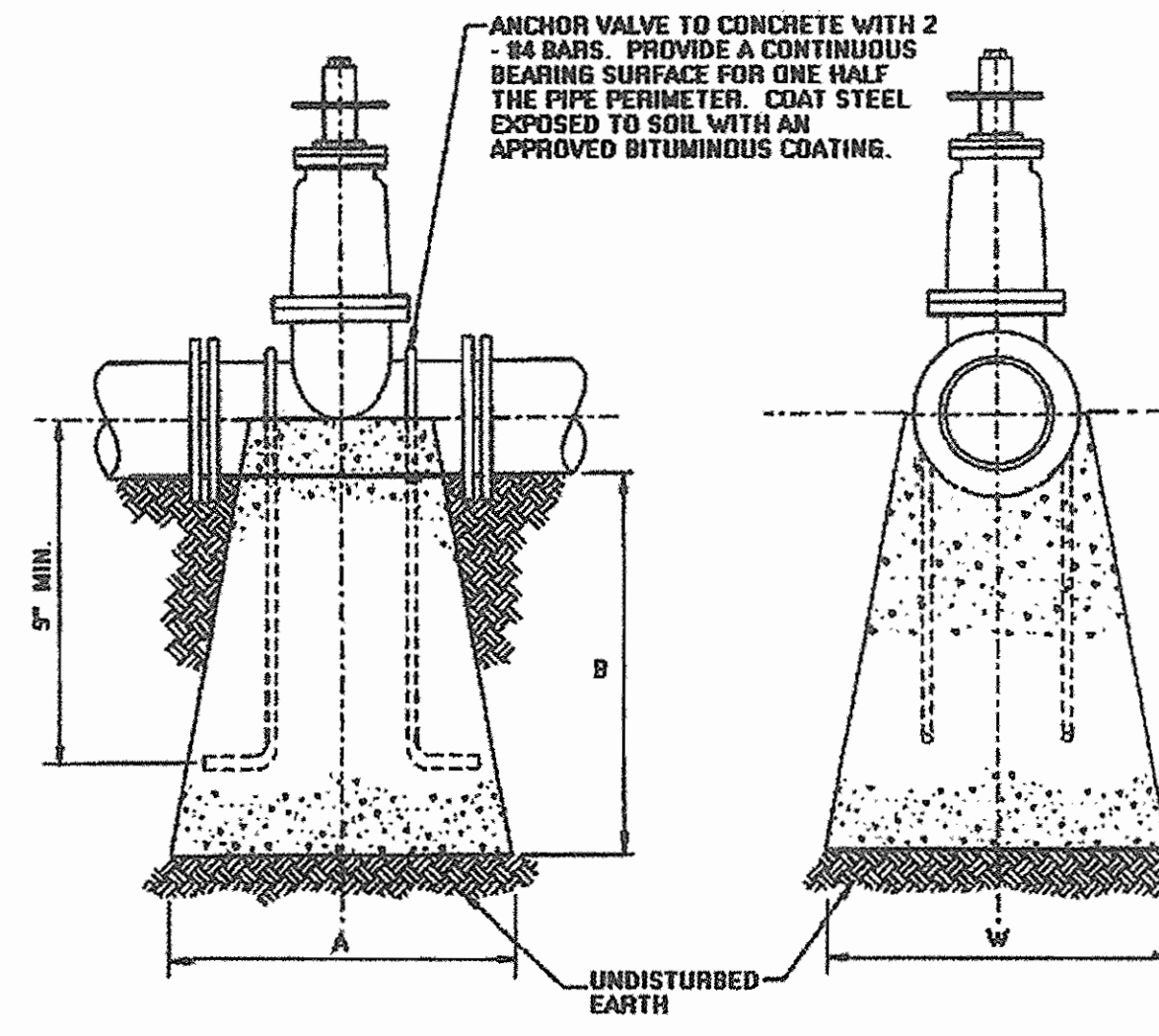
- a. PVC pipe and fittings:
 - i. PVC pipe 4 inches through 12 inches in diameter shall be manufactured in 20-foot lengths in accordance with AWWA C900 with cast/ductile iron pipe equivalent outside diameters. Pipe shall have a dimension ratio (DR) of 18, pressure class of 150 psi, and shall utilize elastomeric-gasketed push-on joints for joining pipes in accordance with AWWA C900. Pipe, gaskets, and gasket lubricant shall be suitable for potable water systems and shall meet NSF 61. All PVC pipe shall be factory marked on the spigot end for depth of insertion into the bell and factory tested in accordance with AWWA C900. PVC pipe shall be manufactured by one of the following:
 1. Uponor LTD
 2. J-M Pipe
 3. Diamond Plastics Corp
 4. National Pipe and Plastics, Inc.
 - ii. Fittings for use with PVC water mains shall be ductile iron in accordance with the Standard Specifications or PVC fittings. PVC fittings shall have push-on rubber gasketed joints, be injection-molded meeting AWWA C907, pressure class 150; or fabricated meeting AWWA C900, Class 200. PVC fittings shall be manufactured by the Harrington Corporation (Harco) or approved equal. Pipe joints shall be in accordance with the standards specified for the pipe and fittings.
 - iii. Pipe couplings for PVC and ductile iron water mains shall be suitable for potable water service and shall have epoxy or nylon coated ductile iron center and end rings. Pipe couplings shall be Romac Style 501, Ford FC2W or approved equal.
- b. Joint restraining materials for PVC pipe:
 Horizontal and vertical bends, tees, caps and fittings shall be buttressed or anchored in accordance with the Plans, the Standard Specifications and Details for Construction, or as directed by the Engineer. Valves, when connected to PVC pipe, shall be iron body resilient seat gate valves and anchored in accordance with the detail shown on the Plans and shall have one full length of pipe on each side of the valve.
 Joint restraints for harnessing joints shall be in accordance with the Standard Specifications and the requirements below:
 - a. All joint restraint devices shall be Factory Mutual approved.
 - b. In restrained joints, PVC pipe shall not be deflected. If deflection is required in a restrained joint, use ductile iron pipe or fittings.
 - c. Where a restrained joint is required between PVC pipe and a fitting, the fitting shall be ductile iron mechanical joint. Joint restraint for this joint shall meet ASTM F1674 and shall be UniFlange Series 1500, EBAA Iron series 2000PV, or approved equal.
 - d. Where a restrained joint is required for PVC push-on joint, joint restraint shall be Uni-B-13, ICM 620 Sur-Grip, EBBA Iron Series 1600, UniFlange Series 1390-C, or approved equal.
- c. Tracer Wire for Non Metallic Pipelines:
 Tracer wire shall be 8-gauge, 7-strand continuous copper wire with a 45-mil polyethylene insulation. The wire shall be blue, have "UL" markings and suitable for direct bury applications.
- d. Continuity Test Station:
 Continuity test stations shall be located adjacent to each fire hydrant within the public easement for locating PVC water mains. The test station shall be housed in a standard Howard County 18-inch diameter meter vault with an 18"x12" metal frame and cover as shown in the details on the Plans. A 1-inch diameter by 30-inch long copper grounding rod imbedded a minimum of 12 inches into the ground shall be used for the attachment of the tracer wire. The tracer wire shall be fastened to the copper rod using two copper clamps.
- e. Detection Tape:
 Visual Detection Tape shall be 3 inches wide (minimum) metallic blue plastic tape lettered "water" in block graphics.
- f. Connection to PVC waterlines:
 - a. Connections to PVC waterlines shall be by using fittings, such as tees, indicated on the Plans.
 - b. Saddles may be used for 2-inch and smaller connections to PVC waterlines. Saddles with clamps shall provide full support around the circumference of the pipe and shall not distort, scratch, or damage the pipe when tightened. Only tapping saddles manufactured specifically for AWWA C900 PVC pipe shall be used. Saddle and clamps/straps shall be formed to meet the curvature of the pipe. Saddles with clamps shall be manufactured for underground service, shall be rated for a minimum service of 150 psi and shall be brass or bronze alloy meeting ASTM B62 or B584 and AWWA C800 or ductile iron saddles in ASTM A536 or A395 with two 18-8 stainless steel straps and shall be epoxy or nylon coated. Saddles shall have watertight gaskets of Buna-N rubber meeting ASTM D2000 or nitrile around the top hole. Saddles shall be one of the following:
 1. Ford FC-202
 2. Mueller Series DR2S
 3. Romac 202N
 4. Smith Blue 317 Nylon Coated
 5. JCM 406

OWNER & DEVELOPER
BRANTLY DEVELOPMENT GROUP
8835-P COLUMBIA, 100 PARKWAY
COLUMBIA MD 21045

EXECUTION

All construction methods and details shall be in accordance with the Howard County Design Manual Volume IV-Standard Specifications and Details for Construction and the following Criteria:

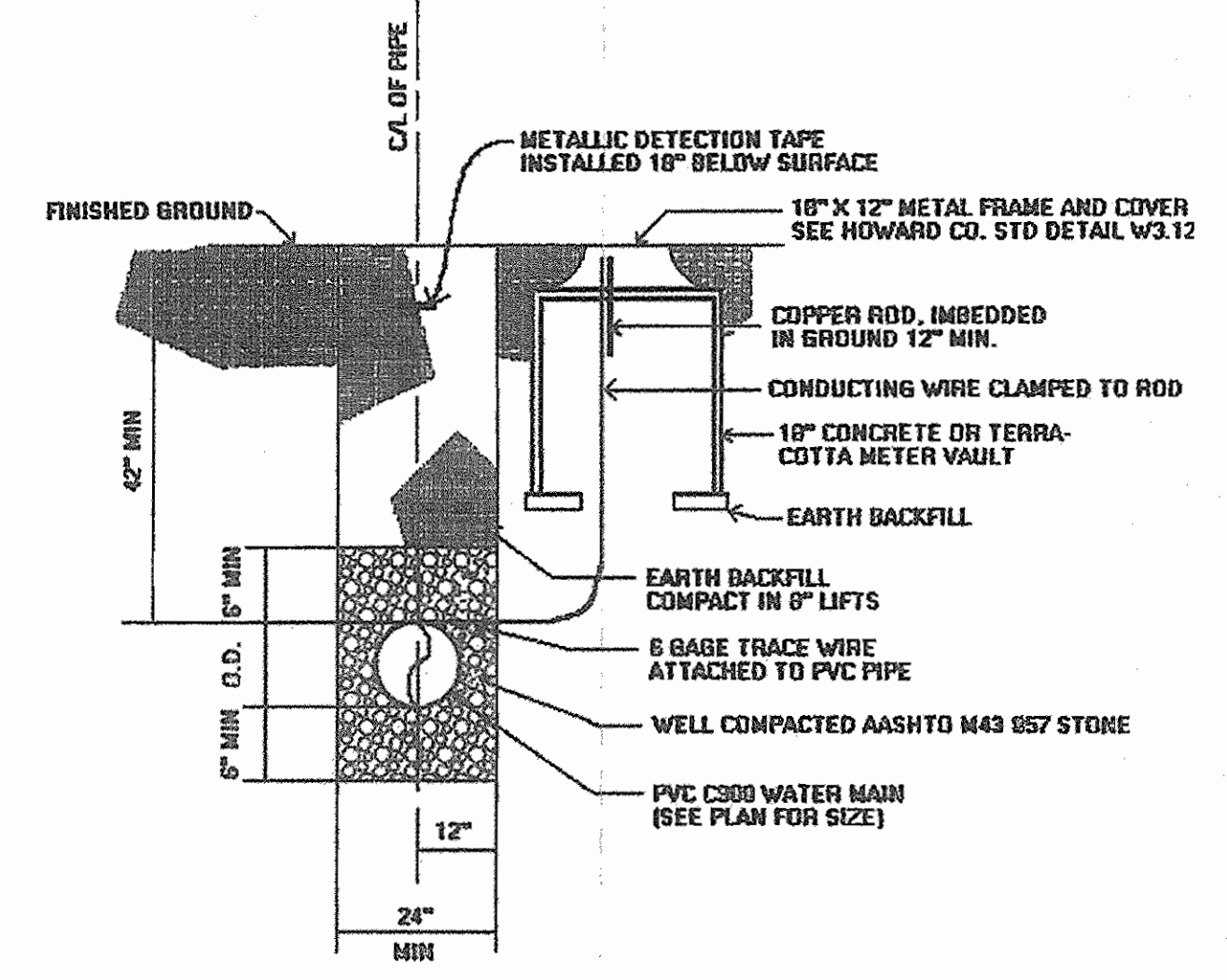
1. Installation of PVC Water Mains:
 - a. PVC pipe and fittings shall be handled in accordance with AWWA C605.
 - b. Bedding:
 Provide 6 inches of stone bedding under the pipe in accordance with Standard Detail G2.01 and the detail shown on the Plans for *Trench for PVC Pipe* using AASHTO M 43, size number 57 aggregate. The stone bedding shall be installed to grade prior to laying pipe. Excavate bell holes in bedding of each joint to assemble the joint and to insure that the entire length of each pipe barrel, fitting and valve is supported on firm bedding.
 - c. Install PVC AWWA C900 pressure pipe:
 Installation shall be in accordance with the Standard Specifications and the manufacturer's installation instructions and recommendations except as modified herein. Changes in horizontal and vertical alignment and curved alignments shown on the Plans shall be made by using fittings or high-deflection couplings. Deflecting PVC pipe joints or bending PVC pipe will not be permitted.
 Whenever a pipe requires cutting, the work shall be done in a manner that leaves a smooth, square end. Cut PVC pipe ends shall have burrs removed and the end beveled to match factory bevel. To ensure the proper length of insertion of the spigot into the bell, PVC pipe cut in the field shall be beveled and marked on the spigot end to the dimensions specified by the manufacturer prior to assembly.
 Prior to making gasketed joints, both mating pipe ends and the gasket shall be cleaned of all foreign material. The rubber gasket shall then be inserted in or stretched over the clean gasket seat and lubricant applied to the gasket and mating pipe end. The method for inserting the spigot into the bell shall be as recommended by the manufacturer and approved by the County. The pipe ends shall be carefully aligned and pushed together to meet the required manufacturer's insertion depth. Insertion of the spigot end of the pipe shall be made to a point where the factory mark is even with the face of the bell.
 - d. Tracer Wires:
 Install tracer wires with the pipe. Tape wire to the top of the pipe with minimum 2-inch wide x 1/2-inch pipe-circumference long PVC tape every 4 feet along the pipe. The copper wire shall be continuous for the full length of the pipeline including all fire hydrant leads and shall terminate at continuity test stations. Continuity test stations shall be located adjacent to all fire hydrants. Where required, splicing shall be done with direct-bury wire connector, wire nut, or splice kit listed and labeled for direct bury, installed as recommended by manufacturer, and taped to the pipe. Connections to continuity test stations shall be in accordance with the detail shown on the Plans.
 After backfilling, the Contractor shall test the tracer wire in the presence of the County to demonstrate electrical continuity between test stations through the length of the PVC pipeline installed. The Contractor shall notify the County 48 hours in advance of the tests. Any discontinuity shall be located, repaired and retested at the Contractor's expense until continuity is achieved.
 - e. Backfill:
 Backfill over the PVC pipe in accordance with Standard Detail G2.01 and the detail shown on the Plans for *Trench for PVC Pipe* using well-compacted AASHTO M 43, size number 57 aggregate to a minimum of 6 inches over the crown of the pipe. Trench backfill shall proceed thereafter in 8-inch layers. Contractor shall provide full trench compaction density of 95% as determined by AASHTO T-190-A.
 - f. Detection Tape:
 Install detection tape directly over the centerline of the water mains on compacted backfill not less than 18 inches or more than 24 inches below finished surface. Tape shall be installed with minimal splices. Splices shall overlap a minimum of 6 inches.
2. Joints:
 - a. Mechanical Joints:
 For PVC plain-end to be connected to ductile iron mechanical joint bell, assemble the joint in accordance with the Standard Specifications, as modified in AWWA C605, the pipe manufacturer's recommendations and as specified herein. For PVC pipe plain ends to be inserted into mechanical joint bells, cut off the bevel so the plain-end is square cut. Do not deflect PVC pipe at connection to cast or ductile iron pipe or fittings.
 - b. Push-on Joints:
 For PVC pipe plain ends to be inserted in ductile iron or cast iron push-on bell, the spigot taper shall be cut to 1/4-inch long. Place an identifying mark on pipe that is not furnished with a depth mark on the plain end to show the depth of the socket and to verify that pipe is properly set in the bell. Assemble joints in accordance with AWWA C600 and C605, the manufacturer's recommendations, and as specified herein.
 Do not deflect PVC pipe at connection to cast or ductile iron pipe or fittings. The Contractor shall achieve change in alignment as indicated elsewhere herein. Assembly of the plain end into the bell shall be done in accordance with manufacturer's recommendations. The spigot shall not be inserted deeper than manufacturer's recommendations. Install push-on restrained joints in accordance with manufacturer's recommendations.
 - c. Restrained Joint:
 In a restrained joint, PVC pipe shall not be deflected. If deflection is required in a restrained joint, use restrained ductile iron pipe.
3. Where the Contractor chooses to use PVC fittings, the pressure class of the fitting shall be the same as, or greater than, the pressure class of the pipe to which it connects. If the pressure class is not available, the Contractor shall use a ductile iron fitting. Where a fitting with restrained joints is required, a ductile iron mechanical joint shall be used.
4. Fire Hydrant lead, including mainline tee, shall be ductile iron only.
5. Connections to PVC pipe for Water House Connections:
 - a. Perform taps on PVC pipe in accordance with AWWA C605, the pipe manufacturer's recommendations, and as indicated herein.
 - b. Install a service saddle when tapping a PVC water main. Maintain a minimum of 24 inches between taps and PVC pipe bells.
 - c. For PVC water pipe, use only cutting/tapping tools and machines made specifically for cutting AWWA C900 pipe and as described in AWWA C605. The cutting/tapping machine shall be installed so that it does not distort the pipe. The machine shall be supported so that its weight is not carried by the pipe. When tapping PVC pipe, follow the manufacturer's safety precautions and the safety precautions cited in AWWA C605.
 - d. Multiple taps in a single pipe shall be staggered around the pipe circumference so they are not on a common line parallel to the longitudinal axis of the pipe and be at least 18-inches apart when measured longitudinally.



PIPE SIZE	A	B	W
4"	9"	1'-0"	1'-0"
6"	10"	1'-6"	1'-0"
8"	1'-0"	2'-0"	2'-0"
12"	1'-0"	2'-0"	3'-0"

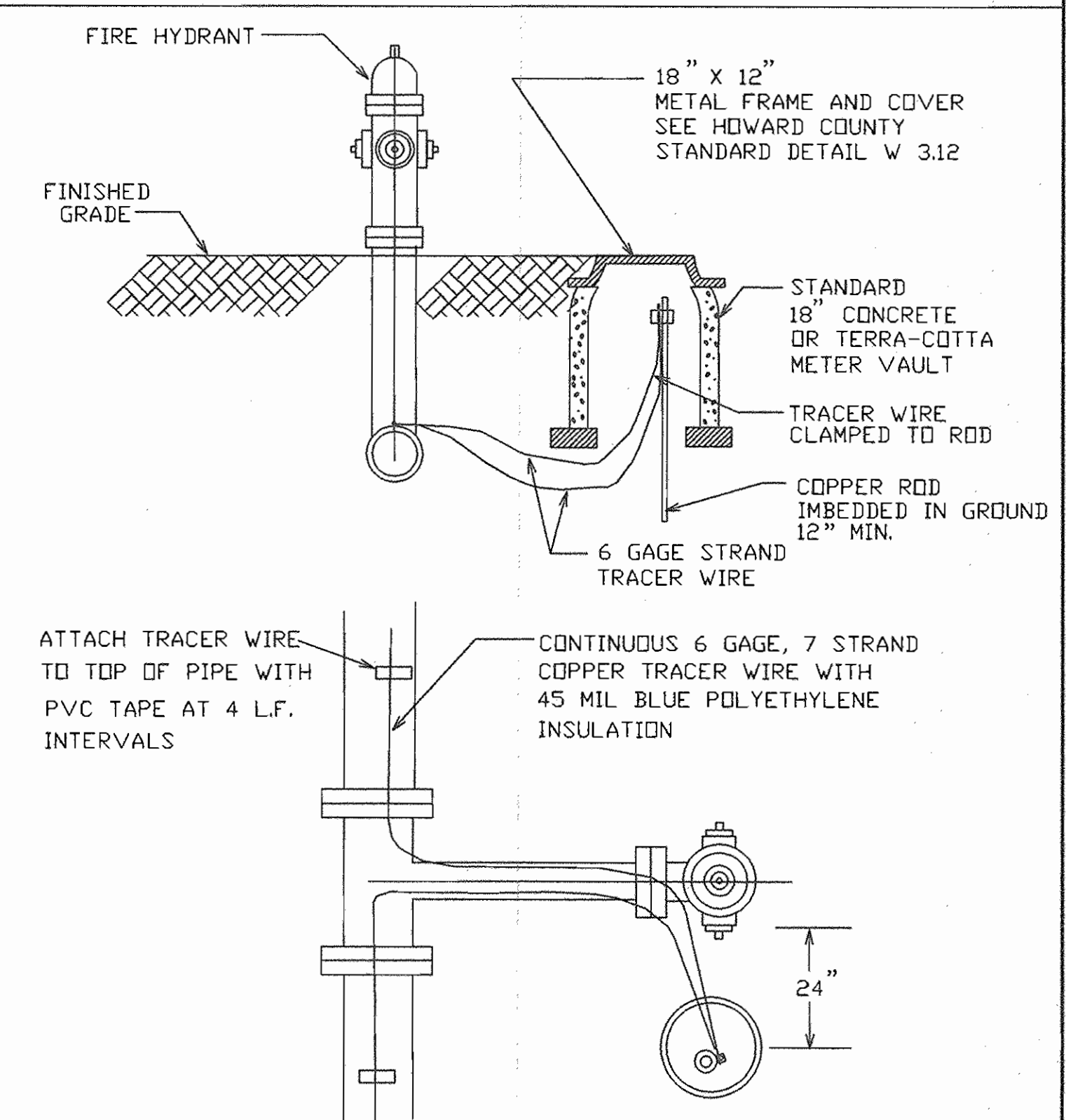
ALL CONCRETE TO BE MK NO. 2

Thursday, June 24, 2004 America Online: MLDNBRG



TRENCH FOR PVC PIPE AND CONTINUITY TEST STATION DETAIL

Thursday, June 24, 2004 America Online: MLDNBRG



- NOTES:
1. TEST STATION MUST BE PLACED TO THE RIGHT OR LEFT OF THE FIRE HYDRANT
 2. VAULT FRAME AND COVER TO BE SET FLUSH WITH FINAL GRADE
 3. ALL WIRE SPLICES SHALL BE DONE AT TEST STATIONS UNDER GROUND SPLICES ARE NOT ALLOWED
 4. BUTTRESS AND STRAPPING NOT SHOWN FOR CLARITY

HOWARD COUNTY STANDARD INSTALLATION CONTINUITY TEST STATION AT FIRE HYDRANT & SPLICES

DEPARTMENT OF PUBLIC WORKS
HOWARD COUNTY, MARYLAND

DEPARTMENT OF PLANNING & ZONING
HOWARD COUNTY, MARYLAND

Stake C Coan 4/13/08
CHIEF, BUREAU OF UTILITIES DATE

Chief, Development Engineering Division 4/15/08
DATE

MILDENBERG, BOENDER & ASSOC., INC.
Engineers Planners Surveyors

5072 Dorsey Hall Drive, Suite 202, Ellicott City, Maryland 21042
(410) 997-0296 Ball. (301) 621-5221 Wash. (410) 997-0298 Fax.

Professional Engineer No. 17942
3/27/08

STATE OF MARYLAND
PROFESSIONAL ENGINEER
No. 17942
3/27/08

engineering RDB
illustration RDB
approval RHJ
project 05-020
date MARCH 2008 BY NO. REVISION DATE

600' SCALE MAP NO. 37 BLOCK NO. 12

PVC C-900 NOTES AND DETAILS

DUCKETTS RIDGE
UNITS 1-52 & COMMUNITY BUILDING
CONTRACT NO.: 14-4341-D
FIRST ELECTION DISTRICT
HOWARD COUNTY, MARYLAND

scale AS SHOWN
4 of 4