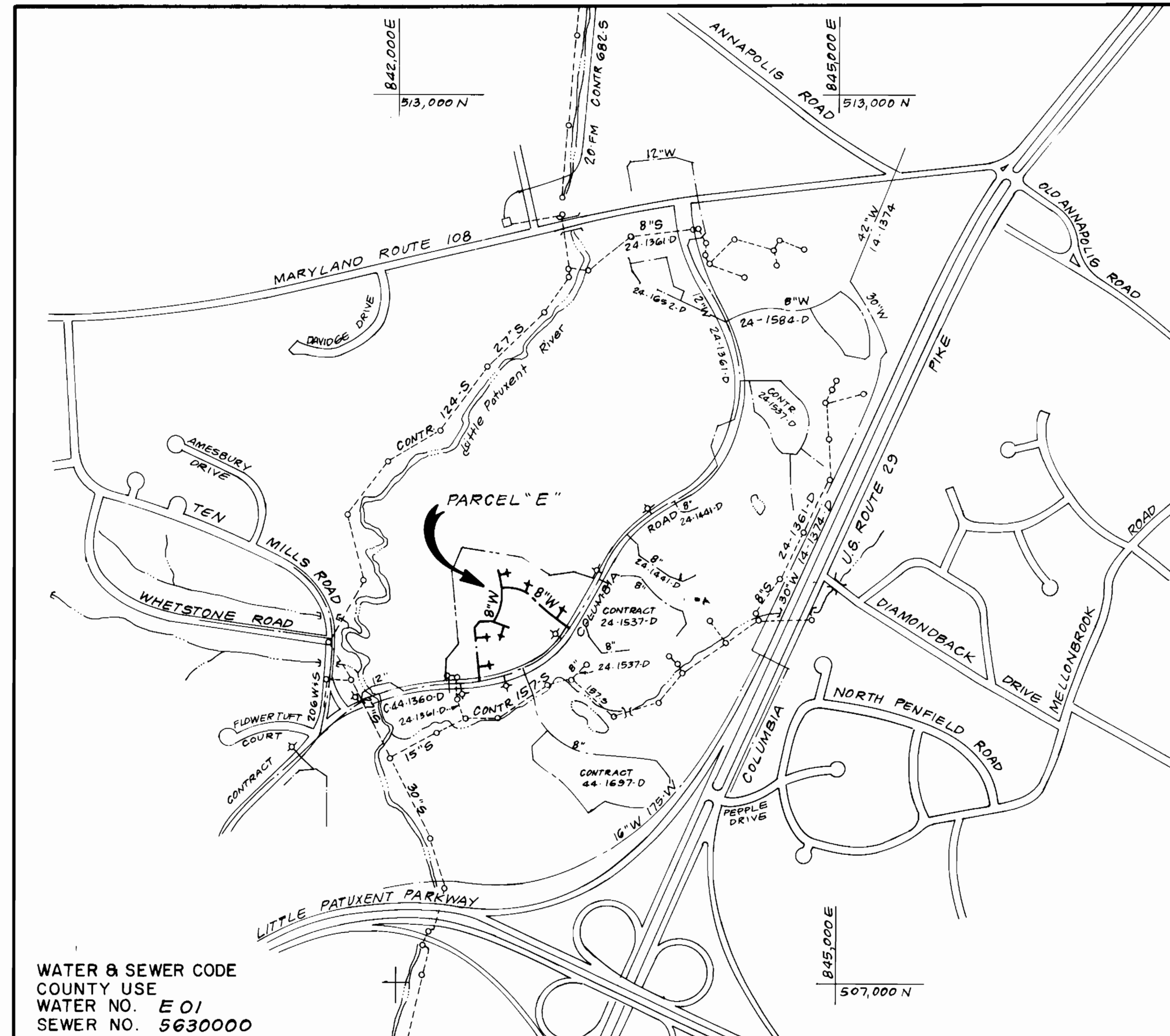


TYPE OF BUILDING	Townhouse Condo
NO. OF UNITS	125
NO. OF WHC's	45
NO. OF SHC's	2
DRAINAGE AREA	Little Patuxent



WATER & SEWER CODE
COUNTY USE
WATER NO. E 01
SEWER NO. 5630000

VICINITY MAP
SCALE: 1" = 600'

CONTRACT NO. 24-1927-D
VILLAGE OF DORSEY'S SEARCH

SECTION 3 AREA 1
PARCEL "E"
HOWARD COUNTY, MARYLAND
DEPARTMENT OF PUBLIC WORKS

Sediment Control Measures will be implemented in accordance with Section 219 of the Specifications & with Site Development Plan 89-17; Drawing, Sediment & Erosion Control.

REVIEWED FOR HOWARD SOIL CONSERVATION DISTRICT AND MEETS TECHNICAL REQUIREMENTS
[Signature] 3/17/89
SIGNATURE DATE

U.S. SOIL CONSERVATION SERVICE
This Development Plan is approved for Soil Erosion and Sediment Control by the Howard Soil Conservation District.

APPROVED:
[Signature] 3/16/89
Howard S.C.D. DATE

- GENERAL NOTES**
- Approximate location of existing mains are shown. The contractor shall take all necessary precautions to protect existing mains and services and maintain uninterrupted supply. Any damage incurred shall be repaired immediately to the satisfaction of the Inspector, at the contractor's expense.
 - All horizontal controls are based on Maryland State Coordinates.
 - All vertical controls are based on U.S.G.S. Datum.
 - All pipe elevations shown are invert elevations.
 - Clear all utilities by a minimum of 6" clear all poles by 2'-0" minimum or tunnel as required. Any cost incurred to the contractor for tunneling or bracing at poles shall be included in unit prices bid for excavation and backfill.
 - For details not shown on the drawings use Howard County Standard Details.
 - For materials and construction methods use Howard County Standard Specifications and Howard County Design Manual, Volume IV. The Contractor shall have Volume IV on the job.
 - Contractor shall locate existing utilities a minimum of two (2) weeks in advance of construction operations in the vicinity of proposed utilities at his own expense.
 - Contractor shall notify the following utilities or agencies at least five (5) working days before starting work shown on these plans.
 - State Highway Administration - 531-5533
 - Baltimore Gas & Electric Company - Underground Damage Control - 859-9004
 - Baltimore Gas & Electric Company - Contractor Services - 850-4620
 - Baltimore Gas & Electric Company - Trouble Shooting - 298-9001
 - "Miss Utility" - 1-800-257-7777
 - Chesapeake & Potomac (C & P) Telephone Company - 1-800-257-7777
 - Bureau of Utilities Howard County - 992-2366
 - Colonial Pipeline Company - 795-1390
 - Trees are to be protected from damage to maximum extent. Trees located within the construction strip are not to be removed or damaged by the contractor.
 - Contractor shall remove trees, stumps, and roots along line of excavation as directed by the Inspector. Payment for such removal shall be included in the unit price bid for excavation and backfill.
 - Place regulation "Men Working" and warning signs as required to comply with Maryland State Highway Administration Manual of Traffic Control for Highway Construction and Maintenance Operations.
 - All water mains to be D.I.P. Class 52 unless otherwise noted.
 - Top of all water mains to have a minimum of 3-1/2' cover unless otherwise noted.
 - Valves adjacent to tees shall be strapped to tees.
 - Block all fittings with concrete.
 - Bury line elevations on fire hydrants shall be set to the elevations shown on the drawings. All fire hydrants shall be strapped and buttressed with concrete in accordance with standard details. Soil around the fire hydrant to be compacted in accordance with Sections 1003 & 1008 of the Standard Specifications.
 - Building Units 1 thru 9 and 14 thru 17 to have outside meter setting. All other units to have inside meter setting.
 - The contractor shall not operate any water main valves on the existing system.
 - All sewer mains shall be C.S.P.X., V.C.P.X., P.V.C., or A.C.P. Class 2400 unless otherwise noted.
 - The contractor shall provide a joint in all sewer mains within 2'-0" of exterior manhole wall.
 - All manholes shall be 4'-0" inside diameter, unless otherwise noted.
 - Water main and water house connection lines must have a minimum of one foot separation from the sanitary sewer and sewer house connections as they cross. Except at crossings, water and sewer lines shall have a minimum horizontal separation of 10'.
 - Manholes designated thus: WT, shall have a Watertight Frame and Cover.
 - All D.I.P. fittings shall be in accordance with A.W.W.A. specification C-153 Ductile Iron Compact Fittings, 3-inch through 12-inch for water and other liquids.

QUANTITIES			
ITEM	EST'D	AS BUILT	MATERIAL / SUPPLIER
8"W	884 L.F.	385'	Atlantic States / A&P Water & Sewer Supplies Inc.
6"W	39 L.F.	40'	" " / " "
4"WHC	38 L.F.	40'	" " / " "
3"WHC	63 L.F.	65'	" " / " "
2"WHC	75 L.F.	75'	" " / " "
1"WHC	310 L.F.	311'	" " / " "
3/4"WHC	382 L.F.	380'	" " / " "
8"V	2 EA.	2	Kennedy Valve / " "
6"V (excl. F.H.)	1 EA.	6	" " / " "
4"V	3 EA.	3	" " / " "
8"SHC	20 LF.	20'	PSM PVC / " "
FIRE HYDRANTS	6 EA.	6	Mueller Co. / " "
3" METER VAULTS	3 EA.	4	Watts Regulators Inc. / " "
2" METER VAULTS	1 EA.	1	" " / " "
12"x8" T.S. & V.	2 EA.	2	Kennedy Valve / " "

DEPARTMENT OF PUBLIC WORKS
HOWARD COUNTY, MARYLAND

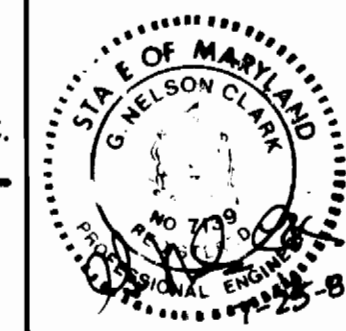
[Signature] 3/20/89
DIRECTOR OF PUBLIC WORKS DATE

[Signature] 3/20/89
CHIEF, BUREAU OF ENGINEERING DATE

[Signature] 3/20/89
CHIEF, LAND DEVELOPMENT DIV. DATE

CFE CLARK · FINEFROCK & SACKETT, INC.
ENGINEERS · PLANNERS · SURVEYORS

7135 MINSTREL WAY COLUMBIA MARYLAND 21045
(301) 381-7500 BALTO. (301) 621-8100 WASH.



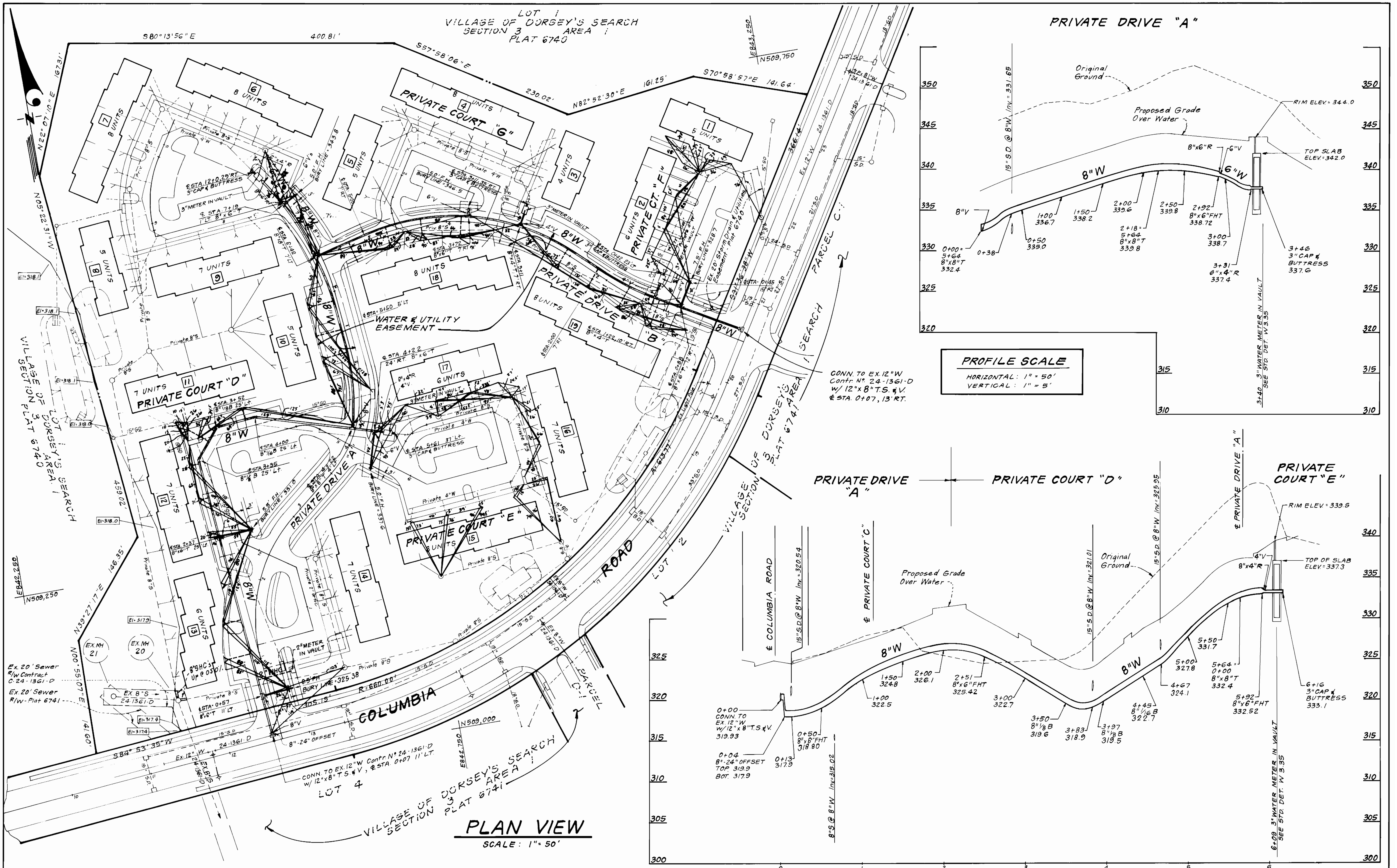
DES: JTR			
DRN: VLM			
CHK: JTR			
DATE: 7/88	BY: NO.	REVISION	DATE

TITLE SHEET

600' SCALE MAP NO. 30 BLOCK NO.

COLUMBIA, VILLAGE OF DORSEY'S SEARCH
PARCEL "E", SECTION 3 AREA 1
6TH ELECTION DISTRICT
CONTRACT NO. 24-1927-D

SCALE AS SHOWN
SHEET 1 OF 3



PLAN VIEW
SCALE: 1" = 50'

PROFILE SCALE
HORIZONTAL: 1" = 50'
VERTICAL: 1" = 5'

DEPARTMENT OF PUBLIC WORKS
HOWARD COUNTY, MARYLAND

[Signature] 3/20/89
DIRECTOR OF PUBLIC WORKS DATE

[Signature] 3/14/89
CHIEF, BUREAU OF UTILITIES DATE

[Signature] 3/20/89
CHIEF, BUREAU OF ENGINEERING DATE

[Signature] 3/20/89
CHIEF, LAND DEVELOPMENT DIV. DATE

CLARK · FINEPROCK & SACKETT, INC.
ENGINEERS · PLANNERS · SURVEYORS

7135 MINSTREL WAY COLUMBIA MARYLAND 21045
(301) 381-7500 BALTO. (301) 621-8100 WASH.



DES: JTR					
DRN: VLM					
CHK: JTR					
DATE: 7/88	BY: NO.	REVISION	DATE	600' SCALE MAP NO. 30	BLOCK NO.

**PLAN & PROFILES OF
A WATER MAIN**

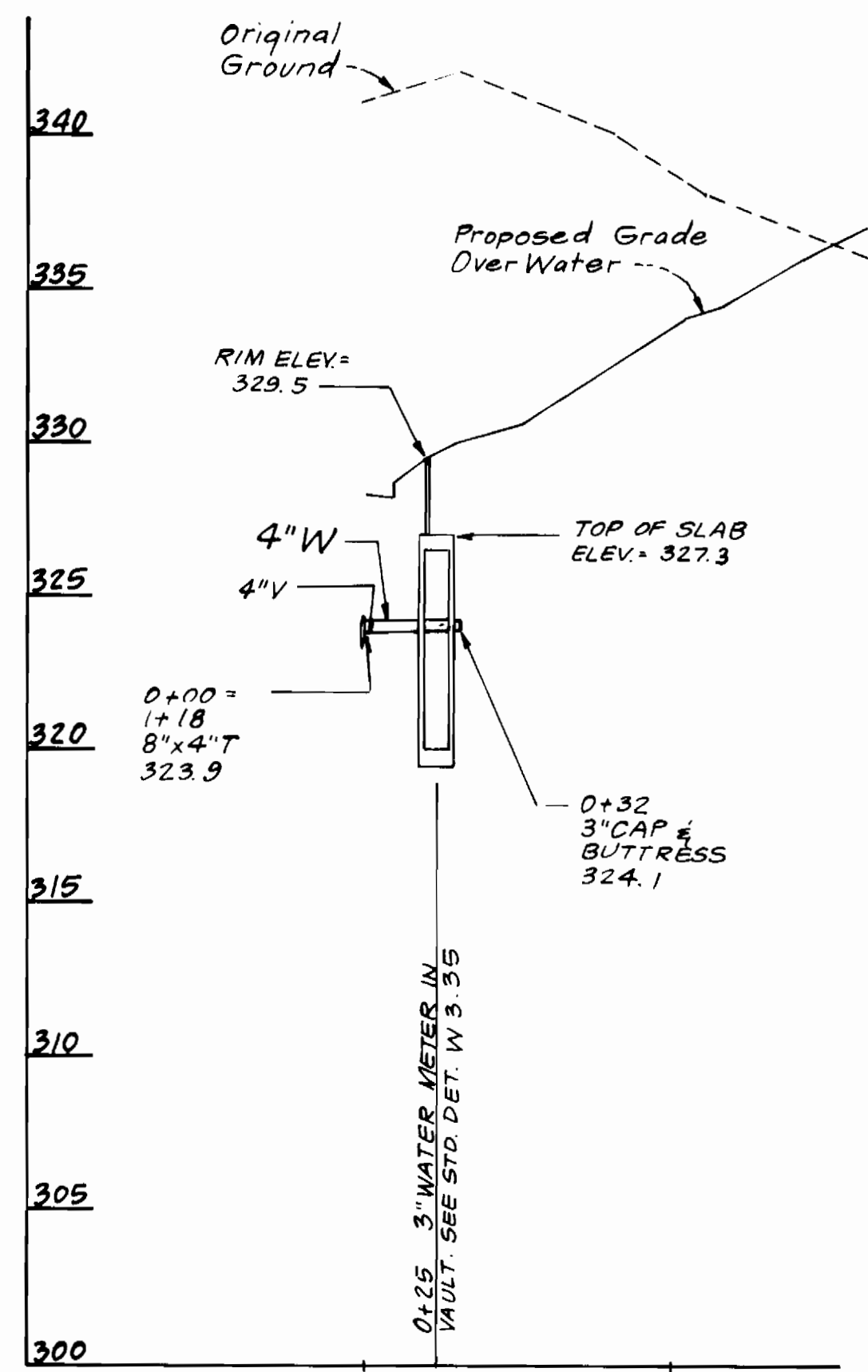
COLUMBIA, VILLAGE OF DORSEY'S SEARCH
PARCEL "E", SECTION 3 AREA I
6TH ELECTION DISTRICT
CONTRACT NO. 24-1927-D

SCALE
AS SHOWN

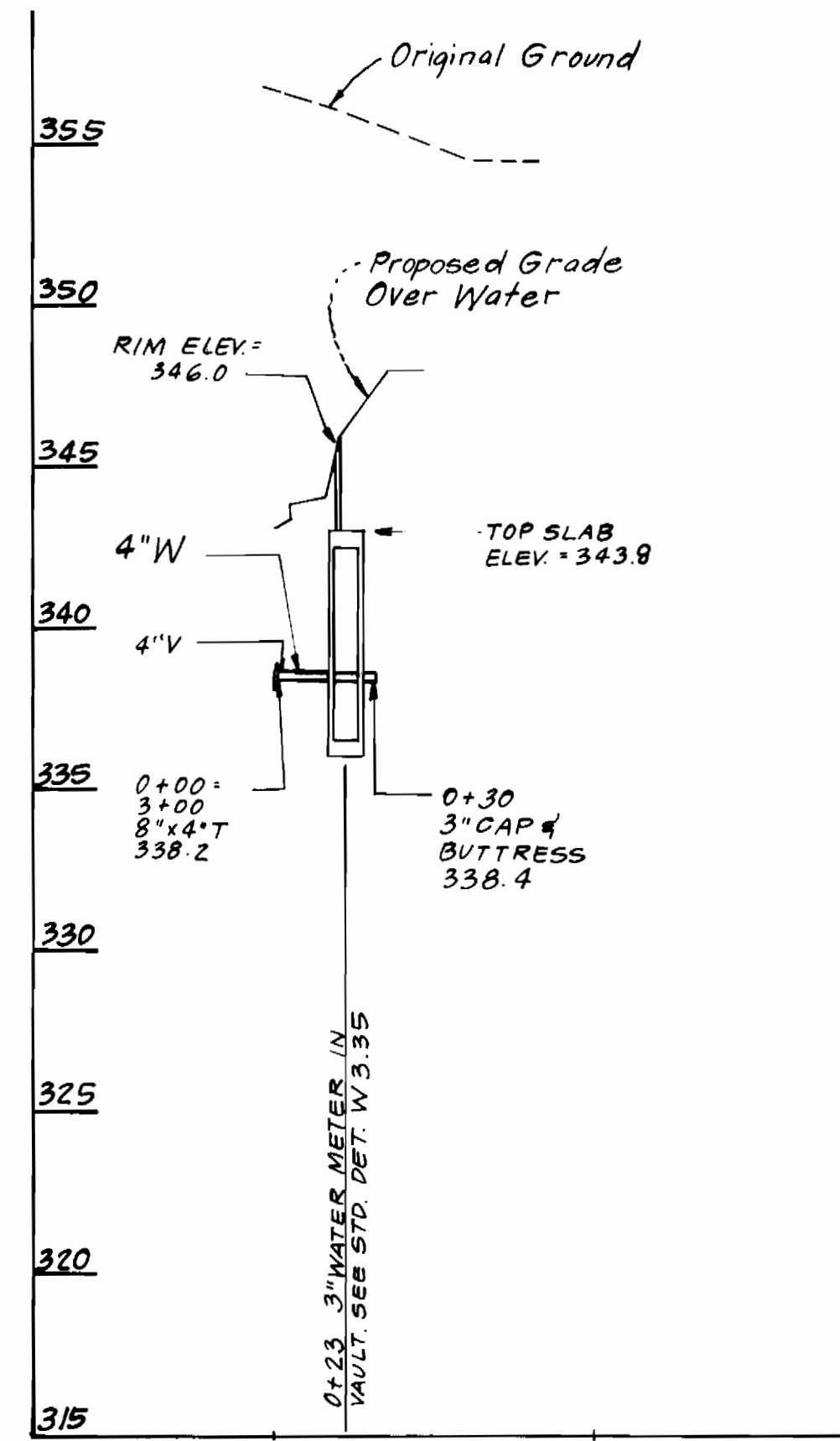
SHEET
2 OF 3

AS-BUILT 3-14-91

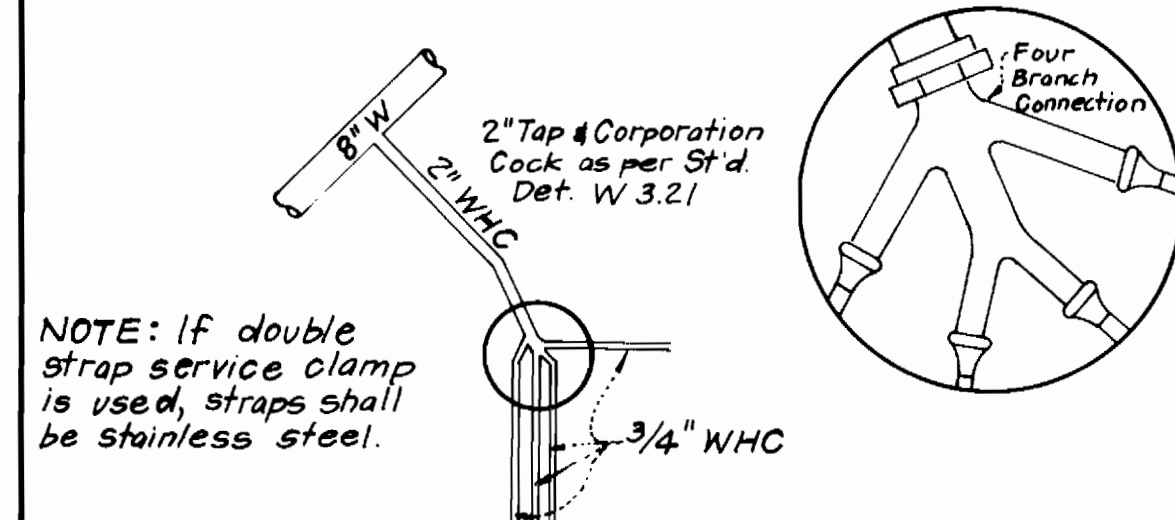
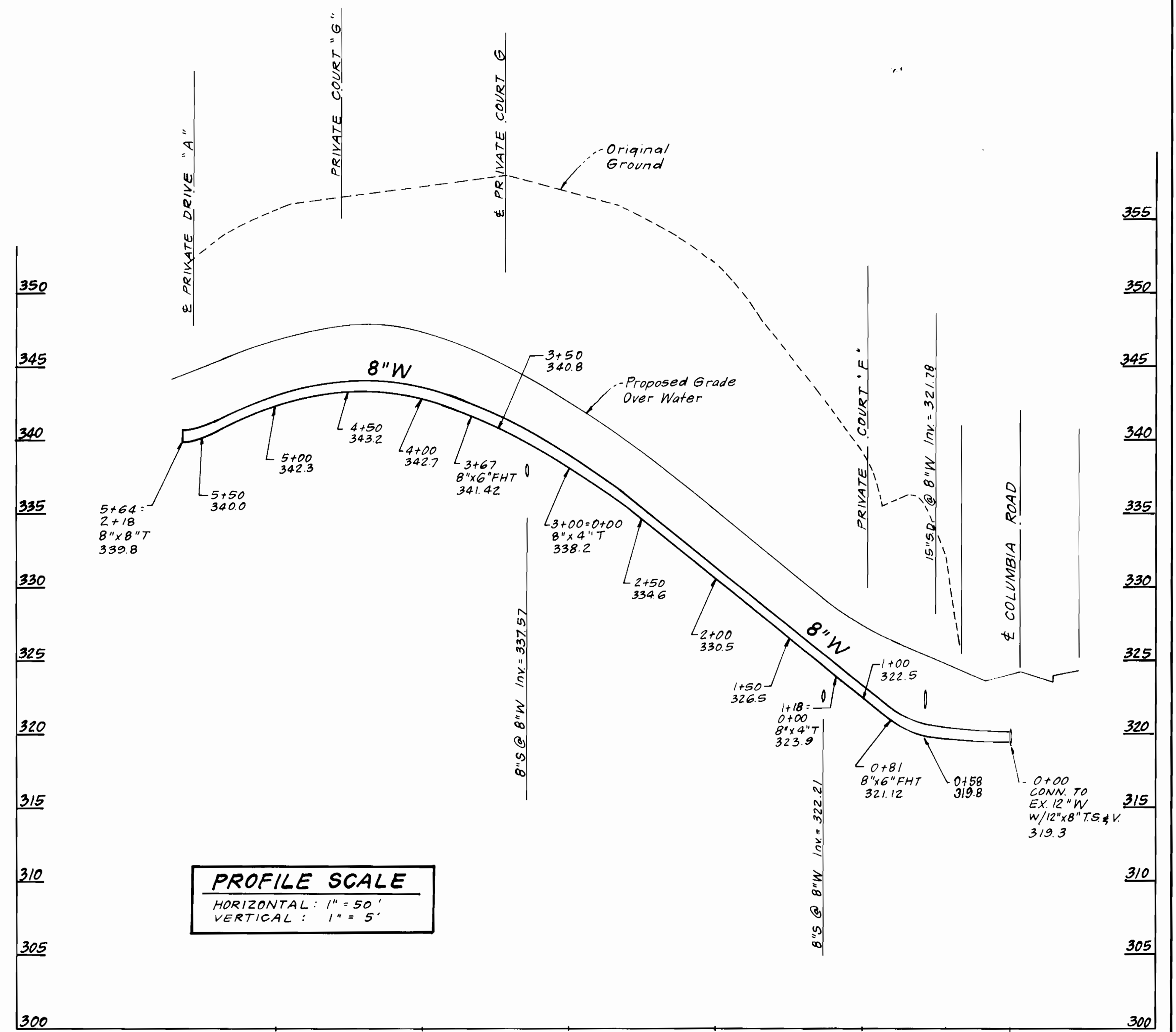
PRIVATE COURT "F"



PRIVATE COURT "G"



PRIVATE DRIVE "B"

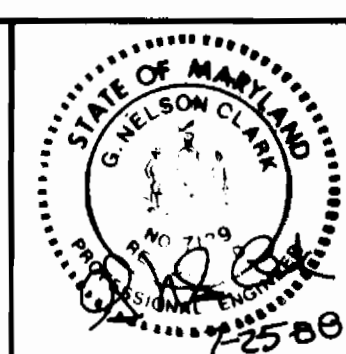


4-WAY WHC DETAIL
NO SCALE

DEPARTMENT OF PUBLIC WORKS
HOWARD COUNTY, MARYLAND

Director of Public Works: *[Signature]* DATE: 3/21/87
 Chief, Bureau of Engineering: *[Signature]* DATE: 3-20-87
 Chief, Bureau of Utilities: *[Signature]* DATE: 3-14-87
 Chief, Land Development Div.: *[Signature]* DATE: 3-16-87

CFS CLARK · FINEPROCK & SACKETT, INC.
ENGINEERS · PLANNERS · SURVEYORS
7135 MINSTREL WAY COLUMBIA MARYLAND 21045
(301) 581-7500 BALTO. (301) 621-8100 WASH.



DES: JTR					
DRN: VLM					
CHK: JTR					
DATE: 7/88	BY NO.	REVISION	DATE	600' SCALE MAP NO. 30	BLOCK NO.

PROFILES OF A WATER MAIN

COLUMBIA, VILLAGE OF DORSEY'S SEARCH
PARCEL "E", SECTION 3 AREA 1
6TH ELECTION DISTRICT
CONTRACT NO. 24-1927-D

SCALE AS SHOWN
SHEET 3 OF 3