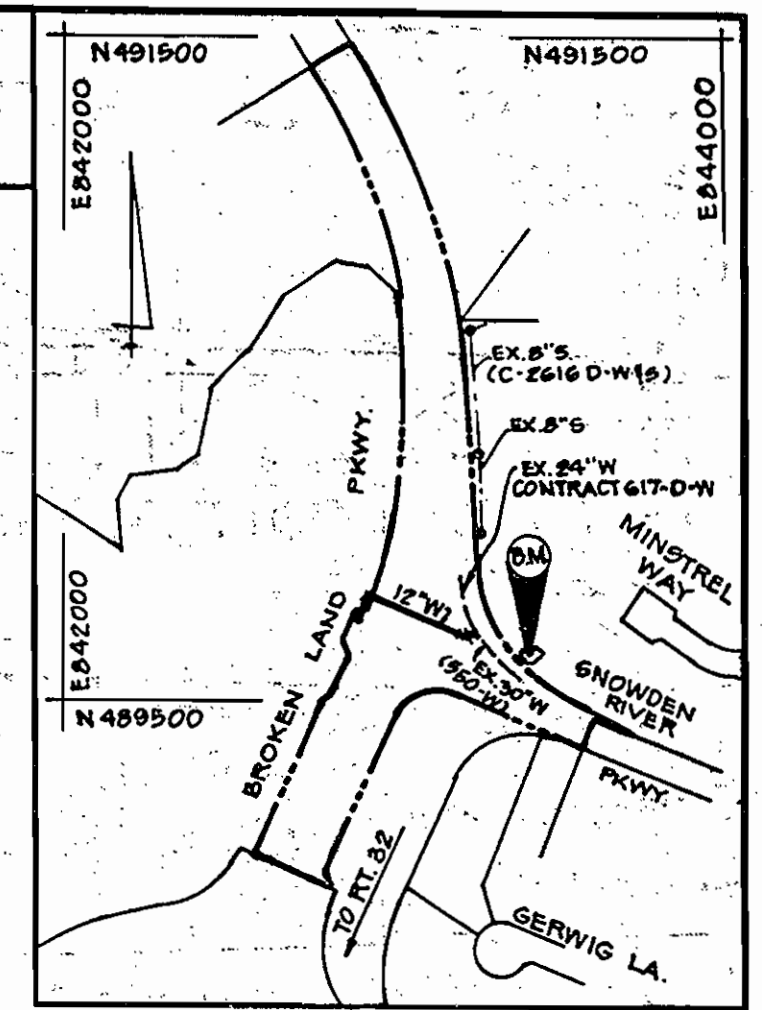
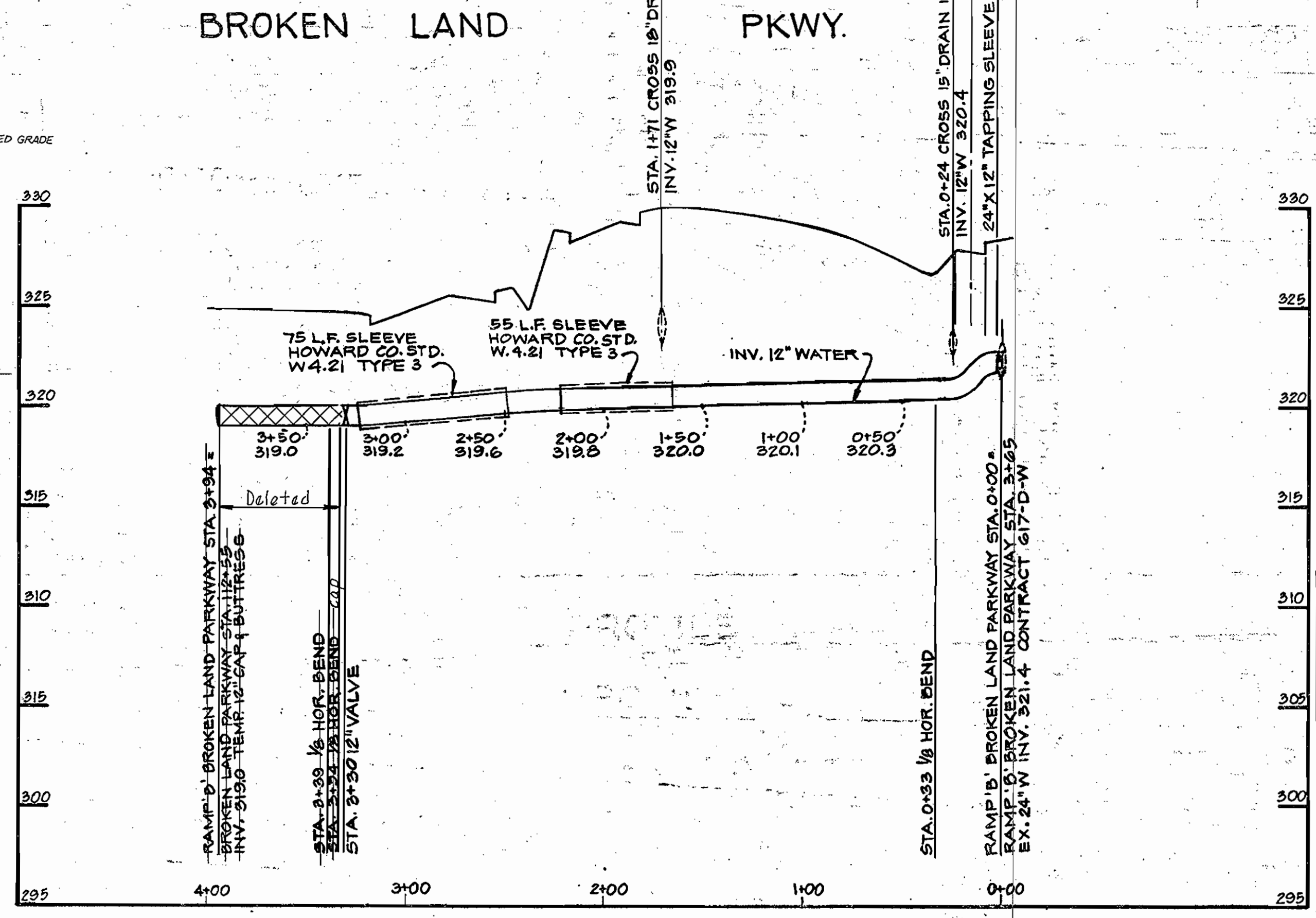
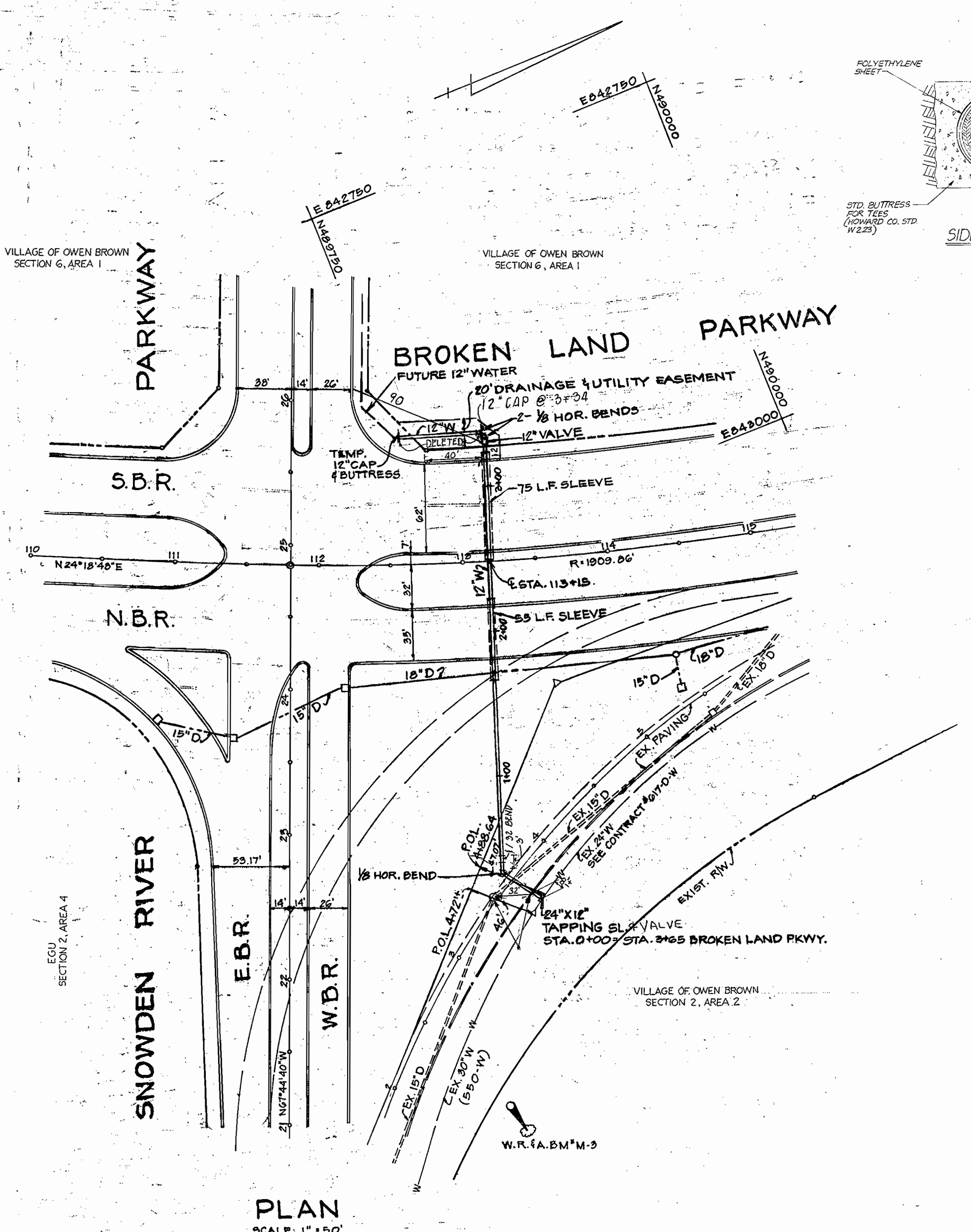
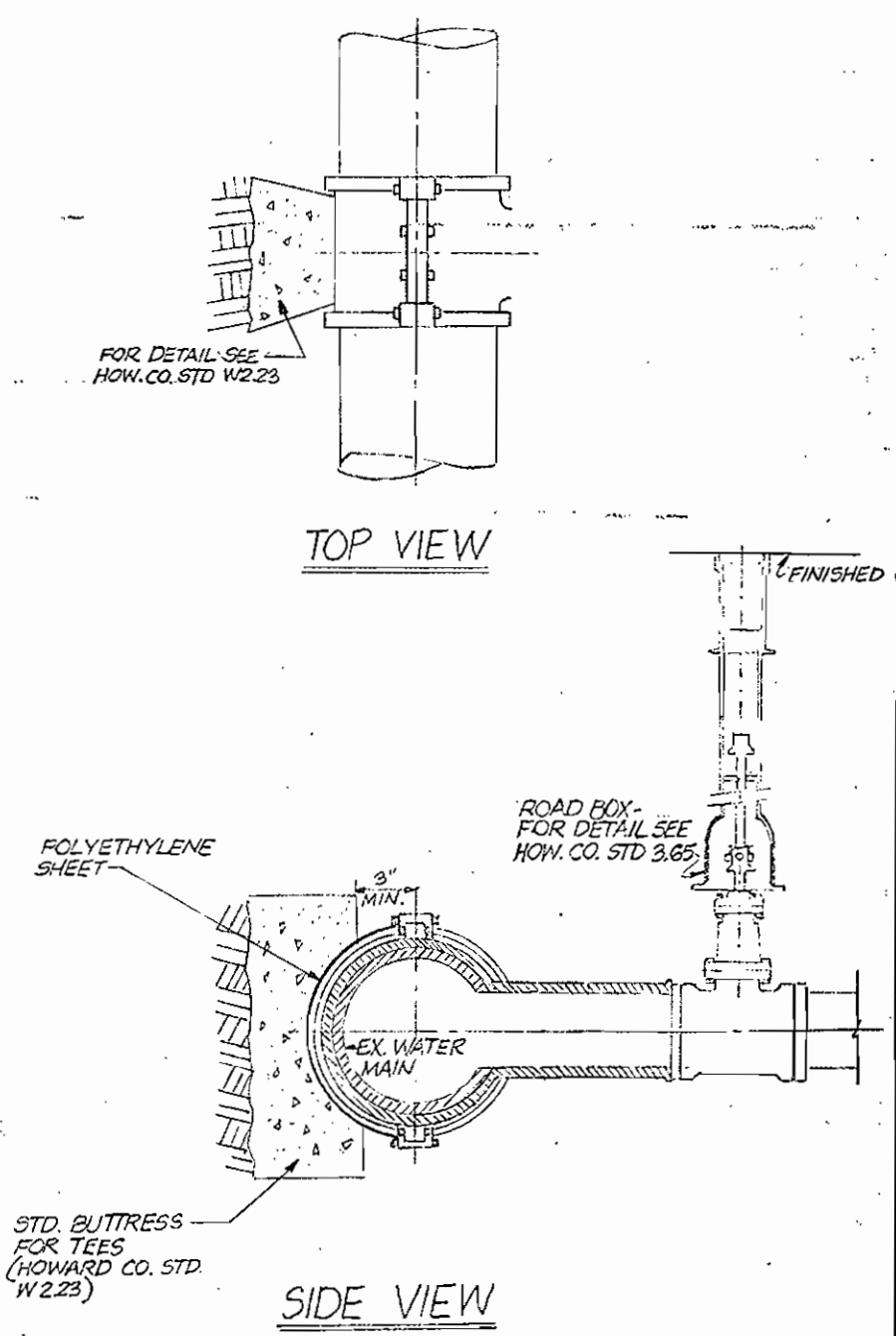


QUANTITIES			
ITEM	ESTIMATED	AS BUILT	MAT'L SUPPLIER
12" WATER	394 L.F.	334'	U.S. Pipe
12" VALVE	2 EA.	2 EA.	p+p Water Supply
24" X 12" TAPPING SL.	1 EA.	1 EA.	p+p Water Supply
STEEL SLEEVE CASING	130 L.F.	130 L.F.	U.S. Pipe
1/32 BEND	1/32 BEND	1 EA.	U.S. Pipe



WATER CODE
County Use
Water No. E.13

W.R. 1A, D.M. M-3
R.R. SPIKE IN 10' TWIN OAK, 100' RT.
OF STA. 0+30, P.I. K-001 100Z
ELEV. 342.88

TYPE OF BUILDING: N.A.
NUMBER OF LOTS: N.A.
NUMBER OF WATERHOUSE CONN.: N.A.
NUMBER OF SEWERHOUSE CONN.: N.A.
DRAINAGE AREA: LITTLE PATUXENT RIVER

GENERAL NOTES:

- PART I
- APPROXIMATE LOCATION OF EXISTING MAINS ARE SHOWN. THE CONTRACTOR SHALL TAKE ALL NECESSARY PRECAUTIONS TO PROTECT EXISTING MAINS AND SERVICES AND MAINTAIN UNINTERRUPTED SUPPLY. ANY DAMAGE INCURRED SHALL BE REPAIRED IMMEDIATELY TO THE SATISFACTION OF THE ENGINEER, AT THE CONTRACTOR'S EXPENSE.
 - ALL HORIZONTAL CONTROLS ARE BASED ON MARYLAND STATE COORDINATES.
 - ALL VERTICAL CONTROLS ARE BASED ON U.S.G.S. DATUM.
 - ALL PIPE ELEVATIONS SHOWN ARE INVERT ELEVATIONS.
 - CLEAR ALL UTILITIES BY A MINIMUM OF 6". CLEAR ALL POLES BY 2'-0" MIN. OR TUNNELS AS REQUIRED. ANY COST INCURRED TO THE CONTRACTOR FOR TUNNELING OR BRACING AT POLES SHALL BE INCLUDED IN UNIT PRICES BID FOR EXCAVATION AND BACKFILL.
 - FOR DETAILS NOT SHOWN ON DRAWINGS USE HOWARD COUNTY STANDARD DETAILS.
 - FOR MATERIALS AND CONSTRUCTION METHODS USE HOWARD COUNTY STANDARD SPECIFICATIONS.
 - CONTRACTOR SHALL LOCATE EXISTING UTILITIES A MINIMUM OF TWO (2) WEEKS IN ADVANCE OF CONSTRUCTION OPERATIONS IN THE VICINITY OF PROPOSED UTILITIES AT HIS OWN EXPENSE.
 - CONTRACTOR SHALL NOTIFY THE FOLLOWING UTILITIES OR AGENCIES AT LEAST FIVE (5) WORKING DAYS BEFORE STARTING WORK SHOWN ON THESE PLANS:

- STATE HIGHWAY ADMINISTRATION:	531-5533
- BALTIMORE GAS AND ELECTRIC CO. - UNDERGROUND ELECTRIC DISTRIBUTION (CUSTOMER SERVICE):	685-0123
- BALTIMORE GAS AND ELECTRIC CO. - UNDERGROUND GAS DISTRIBUTION (CUSTOMER SERVICE):	685-0123
- ENGINEERING "DAMAGE CONTROL":	234-5621
- MISS UTILITY:	(1) 559-0100
- CHESAPEAKE AND POTOMAC (C & P) TELEPHONE COMPANY:	725-9976
- AMERICAN TELEPHONE AND TELEGRAPH - CABLE LOCATION DIV.:	393-3553
- COLONIAL PIPELINE COMPANY:	781-4641
- BUREAU OF UTILITIES HOWARD COUNTY:	992-2366
 - TREES ARE TO BE PROTECTED FROM DAMAGE TO MAXIMUM EXTENT. TREES LOCATED WITHIN THE CONSTRUCTION STRIP ARE NOT TO BE REMOVED OR DAMAGED BY THE CONTRACTOR.
 - CONTRACTOR SHALL REMOVE TREES, STUMPS AND ROOTS ALONG LINE OF EXCAVATION AS DIRECTED BY THE ENGINEER. PAYMENT FOR SUCH REMOVAL SHALL BE INCLUDED IN THE UNIT PRICE BID FOR EXCAVATION AND BACKFILL.
 - PLACE REGULATION "MEN WORKING" AND WARNING SIGNS AS REQUIRED TO COMPLY WITH MARYLAND STATE HIGHWAY ADMINISTRATION MANUAL OF TRAFFIC CONTROL FOR HIGHWAY CONSTRUCTION AND MAINTENANCE OPERATIONS.

PART II

- ALL WATER MAINS TO BE D.I.P. UNLESS OTHERWISE NOTED.
- TOP OF ALL WATER MAINS TO HAVE A MINIMUM OF 3 1/2' COVER UNLESS OTHERWISE NOTED.
- VALVES ADJACENT TO TEES SHALL BE STRAPPED TO TEES.
- BLOCK ALL FITTINGS WITH CONCRETE.
- THE CONTRACTOR SHALL NOT OPERATE ANY WATER MAIN VALVES ON THE EXISTING WATER SYSTEM.

SEDIMENT CONTROL MEASURES FOR THIS THIS CONTRACT WILL BE IMPLEMENTED IN ACCORDANCE WITH ARTICLE 15 OF THESE SPECIFICATIONS AND AS SHOWN ON THE GRADING AND SEDIMENT CONTROL PLAN F-85-13.

REVIEWED FOR HOWARD SOIL CONSERVATION DISTRICT AND MEETS TECHNICAL REQUIREMENT

John M. Johnson
Signature
U.S. SOIL CONSERVATION SERVICE
Date: 9-18-84

THIS DEVELOPMENT PLAN IS APPROVED FOR SOIL EROSION AND SEDIMENT CONTROL BY THE HOWARD COUNTY CONSERVATION DISTRICT.

APPROVED: *Stephen L. Huber*
HOWARD S.C.D.
DATE: 9-18-84

DEPARTMENT OF PUBLIC WORKS
HOWARD COUNTY, MARYLAND

Robert M. Bennett 9-20-84
DIRECTOR OF PUBLIC WORKS

Joseph J. Roberts 9/16/84
CHIEF - BUREAU OF ENGINEERING

Joseph J. Roberts 9/16/84
CHIEF - LAND DEVELOPMENT DIVISION

CENTURY ENGINEERING, INC.
CONSULTING ENGINEERS PLANNERS

32 WEST ROAD
TOWSON, MARYLAND 21204

Gregory R. Klar
DATE



DES: G.R.K.			
DRN: J.A.G.			
CHK: G.R.K.			
DATE:	BY	NO.	REVISION

WATER MAIN
PLAN AND PROFILE

600' SCALE MAP NO. _____
BLOCK NO. _____

VILLAGE OF OWEN BROWN
SECTION 6 AREA 2
CONTRACT NO. 44-1265-D

6TH ELECTION DISTRICT
PART OF PARCEL 18

HOWARD COUNTY, MD.
TAX MAP 42

SCALE AS SHOWN
SHEET 1 OF 1