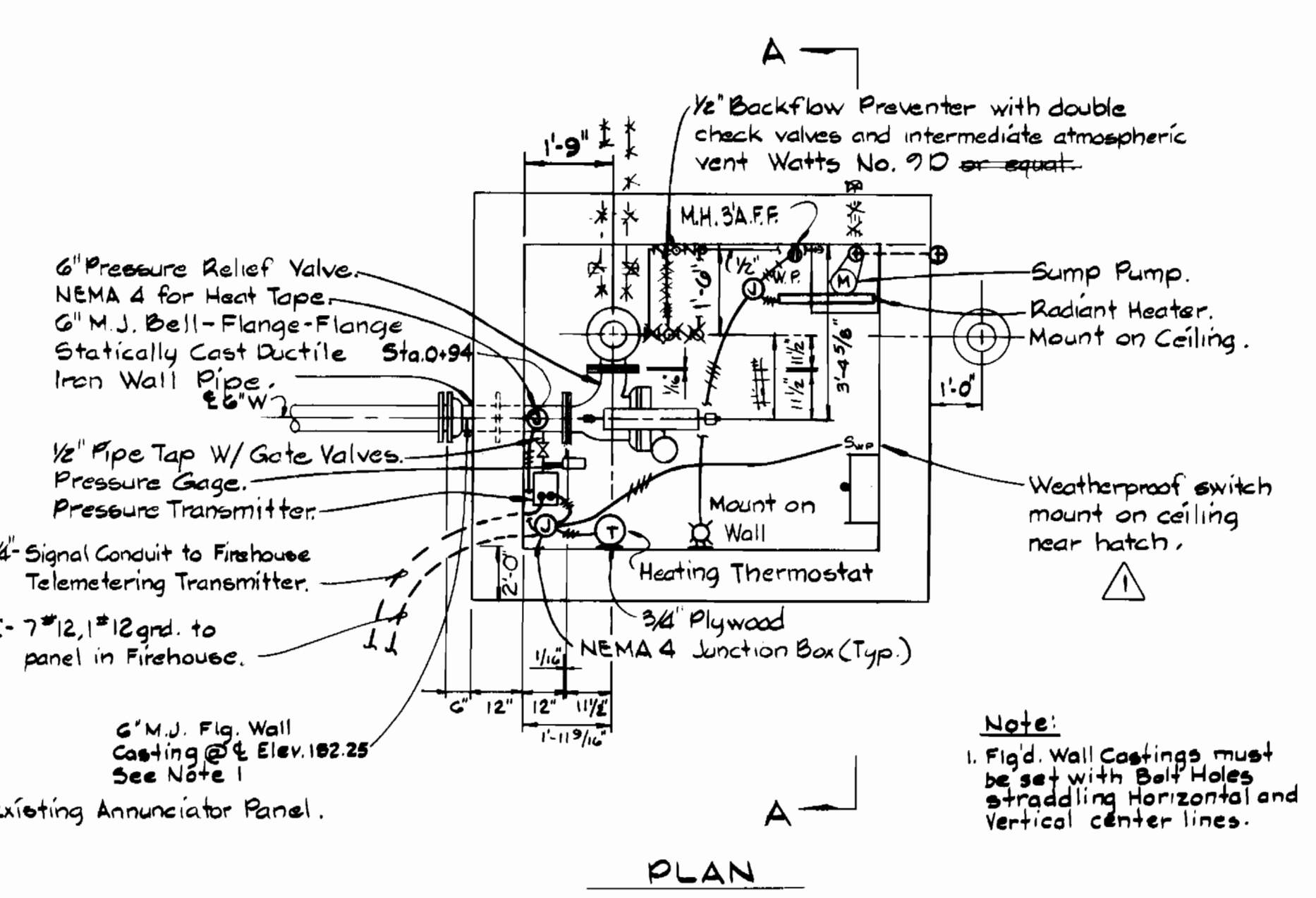
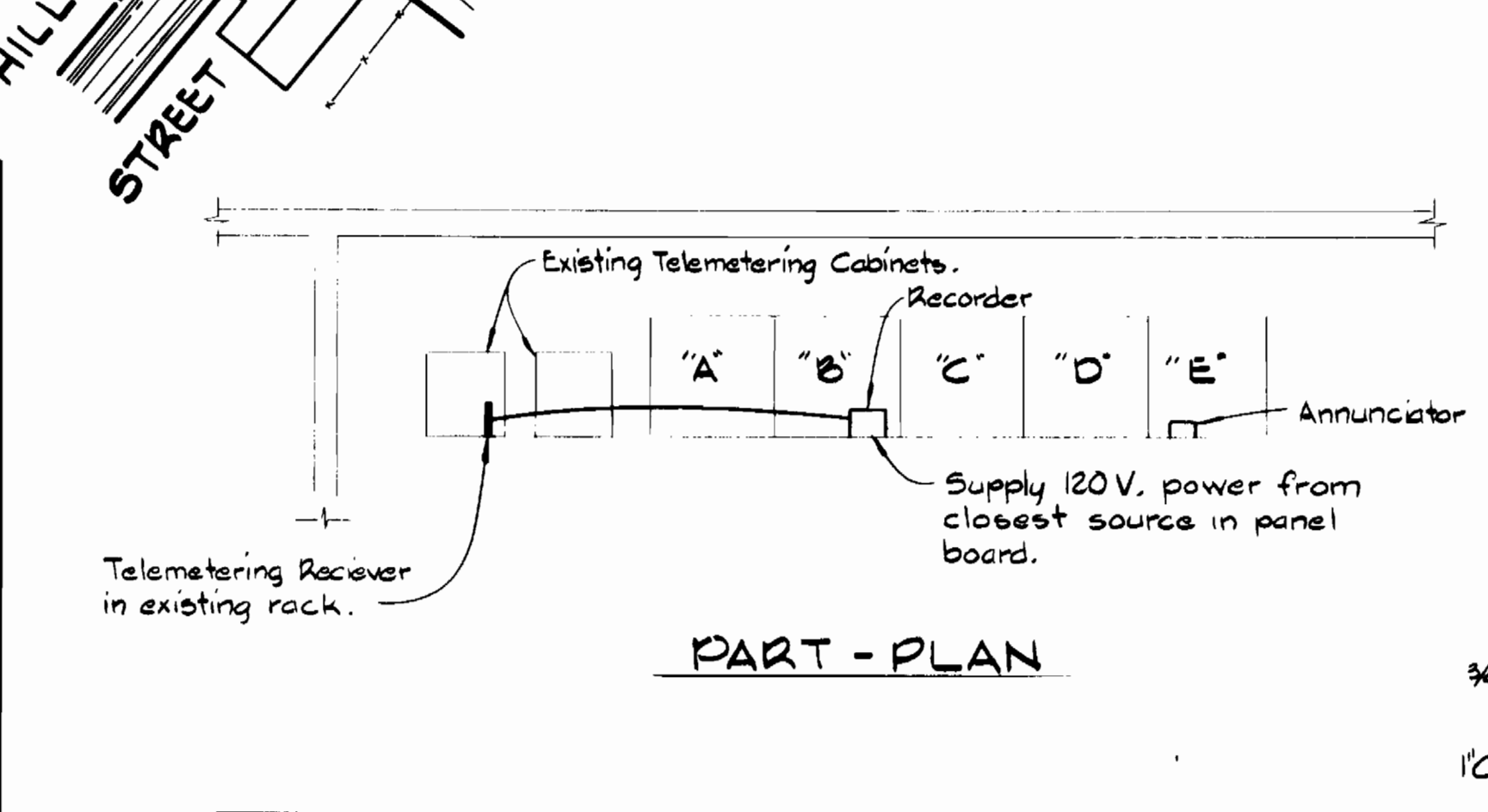
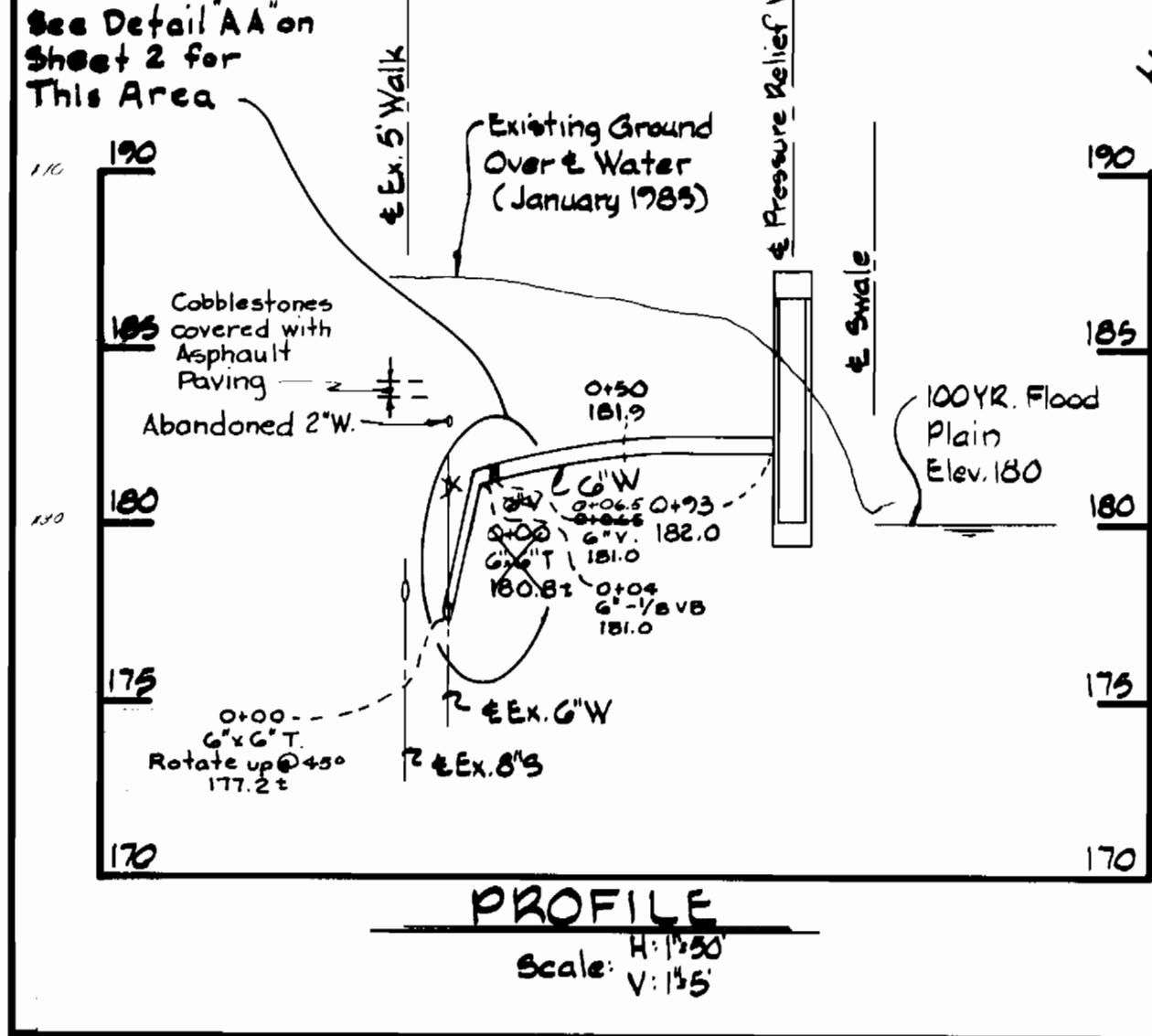


Wastewater Disposal: N/A
 Drainage Area: N/A
 Type of Building: N/A
 No. of SHC: N/A
 No. of WNC: N/A
 No. of Lots: N/A
WATER & SEWER CODE
 County Use:
 Water: N/A
 Sewer: N/A



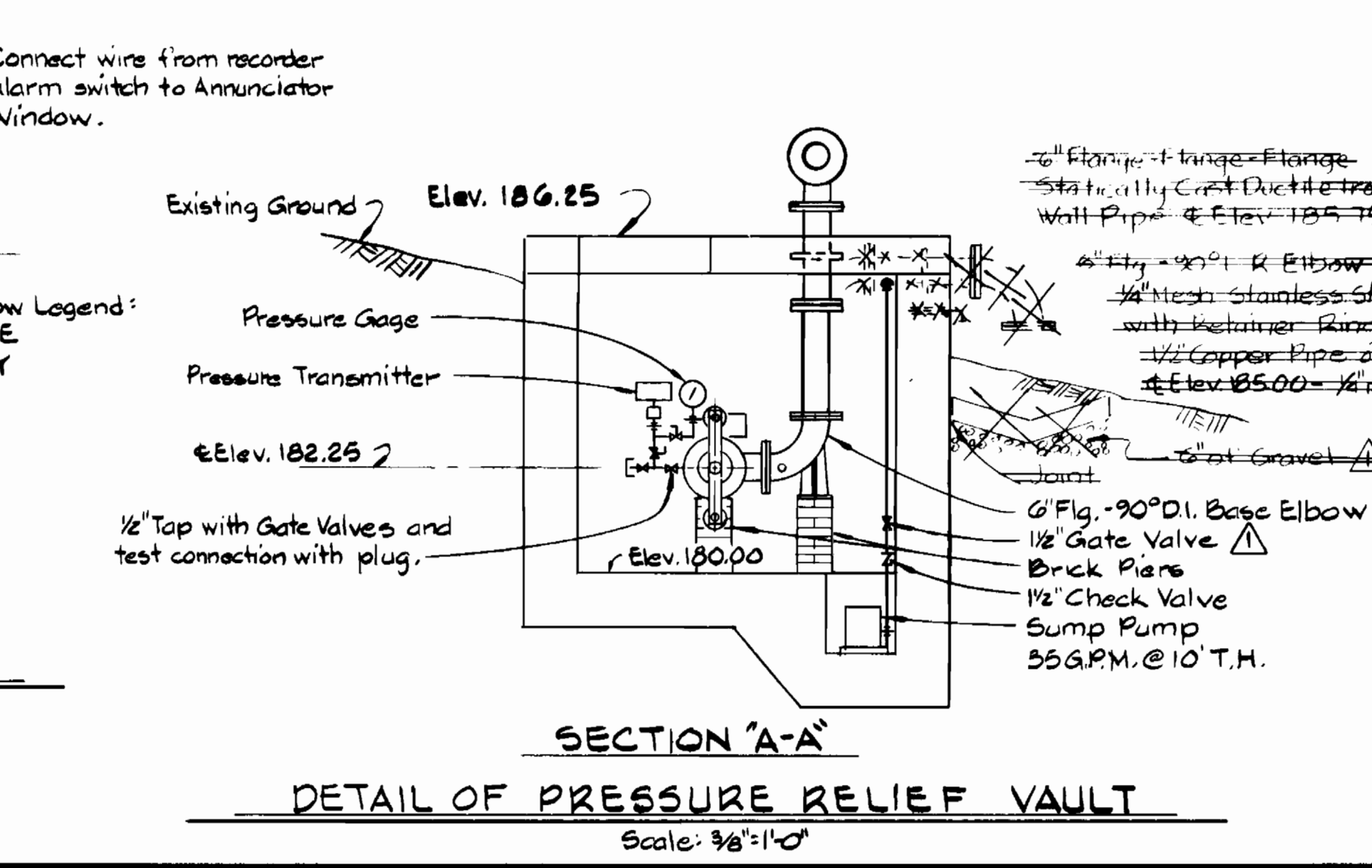
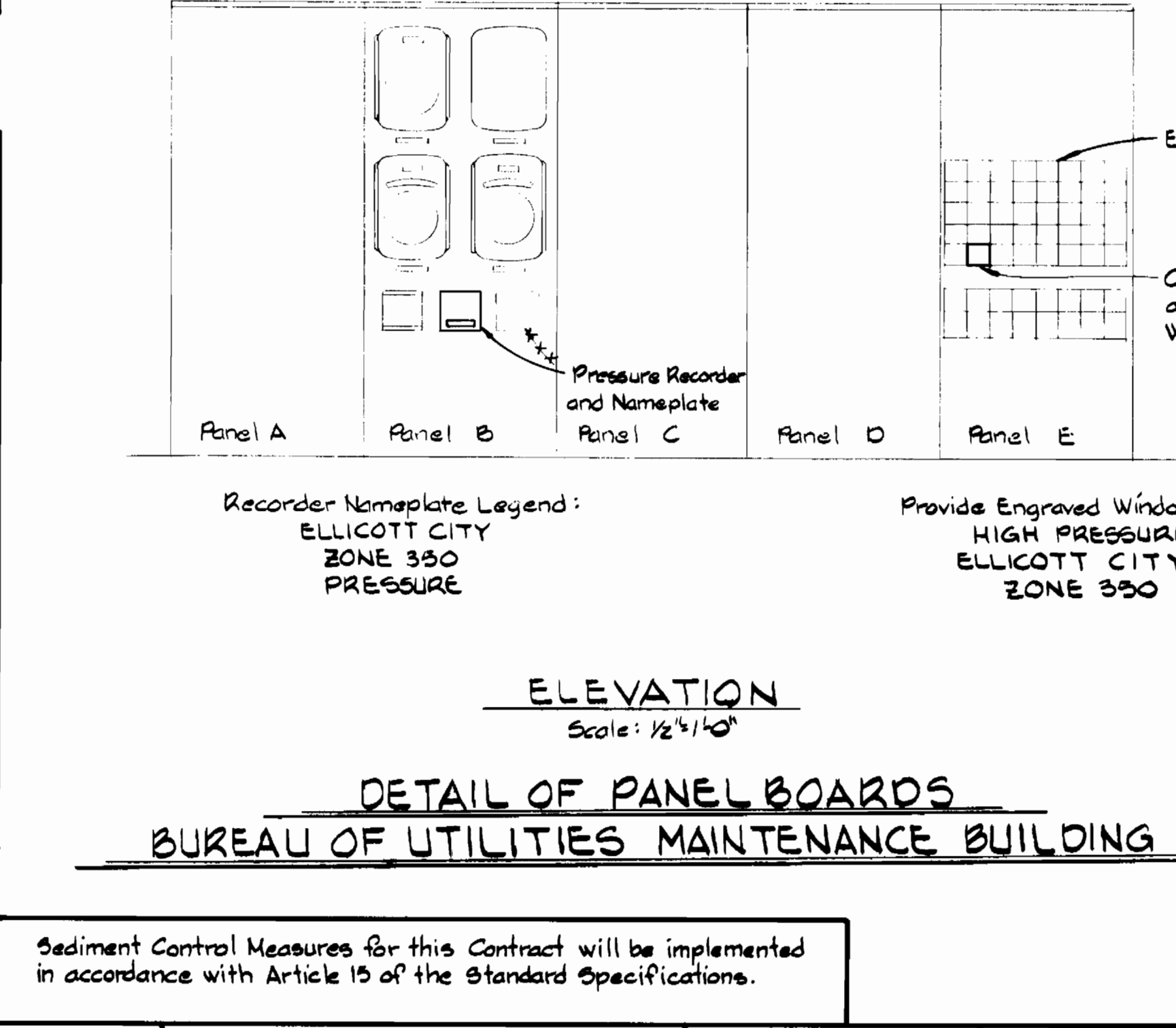
- GENERAL NOTES**
- APPROXIMATE LOCATION OF EXISTING MAINS ARE SHOWN. THE CONTRACTOR SHALL TAKE ALL NECESSARY PRECAUTIONS TO PROTECT EXISTING MAINS AND SERVICES AND MAINTAIN UNINTERRUPTED SUPPLY. ANY DAMAGE INCURRED SHALL BE REPAIRED IMMEDIATELY TO THE SATISFACTION OF THE ENGINEER, AT THE CONTRACTOR'S EXPENSE.
 - ALL HORIZONTAL CONTROLS ARE BASED ON MARYLAND STATE COORDINATES.
 - ALL VERTICAL CONTROLS ARE BASED ON U.S.G.S. DATUM.
 - ALL PIPE ELEVATIONS SHOWN ARE INVERT ELEVATIONS.
 - CLEAR ALL UTILITIES BY A MINIMUM OF 6". CLEAR ALL POLES BY 2'-0" MINIMUM OR TUNNEL AS REQUIRED. ANY COST INCURRED TO THE CONTRACTOR FOR TUNNELING OR BRACING AT POLES SHALL BE INCLUDED IN UNIT PRICES BID FOR CONSTRUCTION OF THE MAIN.
 - FOR DETAILS NOT SHOWN ON THE DRAWINGS USE HOWARD COUNTY STANDARD DETAILS.
 - FOR MATERIALS AND CONSTRUCTION METHODS USE HOWARD COUNTY STANDARD SPECIFICATIONS.
 - CONTRACTOR SHALL LOCATE EXISTING UTILITIES A MINIMUM OF TWO (2) WEEKS IN ADVANCE OF CONSTRUCTION OPERATIONS IN THE VICINITY OF PROPOSED UTILITIES AT HIS OWN EXPENSE.
 - CONTRACTOR SHALL NOTIFY THE FOLLOWING UTILITIES OR AGENCIES AT LEAST FIVE (5) WORKING DAYS BEFORE STARTING WORK SHOWN ON THESE PLANS:
 BALTIMORE GAS & ELECTRIC COMPANY - UNDERGROUND CUSTOMER SERVICE - 685-0123.
 "MISS UTILITY" - 1 - 559-0100
 CHESAPEAKE & POTOMAC (CAP) TELEPHONE COMPANY - 393-3648.
 BUREAU OF UTILITIES HOWARD COUNTY - 992-2366.
 - PLACE REGULATION "MEN WORKING" AND WARNING SIGNS AS REQUIRED TO COMPLY WITH MARYLAND STATE HIGHWAY ADMINISTRATION MANUAL OF TRAFFIC CONTROL FOR HIGHWAY CONSTRUCTION AND MAINTENANCE OPERATIONS.
 - ALL WATER MAINS SHALL BE D.I.P. UNLESS OTHERWISE NOTED.
 - TOP OF ALL WATER MAINS SHALL HAVE A MINIMUM OF 3-1/2' COVER UNLESS OTHERWISE NOTED.
 - VALVES ADJACENT TO TEES SHALL BE STRAPPED TO TEES.
 - BLOCK ALL FITTINGS WITH CONCRETE.
 - THE CONTRACTOR SHALL NOT OPERATE ANY WATER MAIN VALVES ON THE EXISTING SYSTEM.
 - ALL CONCRETE SHALL BE MIX NO. 5.
 - SOO ALL DISTURBED GRASSED AREAS.

ENGINEER'S CERTIFICATION
 I certify that this plan for erosion and sediment control represents a practical and workable plan based on my personal knowledge of the site conditions and that it was prepared in accordance with the requirements of the Howard County Soil Conservation District.
 Kenneth A. Mc Cord P.E. 1974 DATE

DEVELOPER'S CERTIFICATION
 I/we certify that all development and construction will be done according to this plan, and that any responsible personnel involved in the construction project will have a certificate of attendance at a Department of Natural Resource approved training program for the control of sediment and erosion before beginning the project.
 Bureau of Engineering Department of Public Works DATE

REVIEWED FOR HOWARD SOIL CONSERVATION DISTRICT AND MEETS TECHNICAL REQUIREMENT
 DATE

U.S. SOIL CONSERVATION SERVICE
 This Development Plan is approved for Soil Erosion and Sediment Control by the Howard County Conservation District
 APPROVED: DATE



BILL OF MATERIALS SCHEDULE	
ITEM	MANUFACTURER
Pressure Relief Valve	GA Industries Inc
Backflow Preventor	Watts
Sump Pump	Marley Pump Co.
Pressure Transmitter	Rosemount
Pressure Recorder	BIF
Telemetering Equipment	BIF
93L.F.G.W	Griffen

DEPARTMENT OF PUBLIC WORKS
 HOWARD COUNTY, MARYLAND
 Director of Public Works - DATE
 Chief - Bureau of Engineering - DATE
 Chief - Bureau of Utilities - DATE

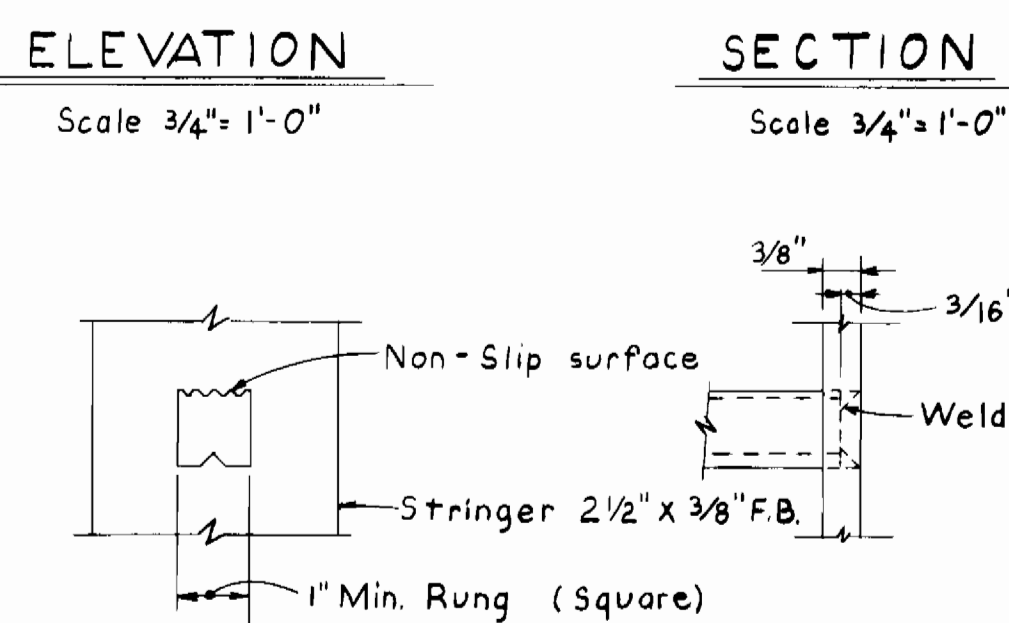
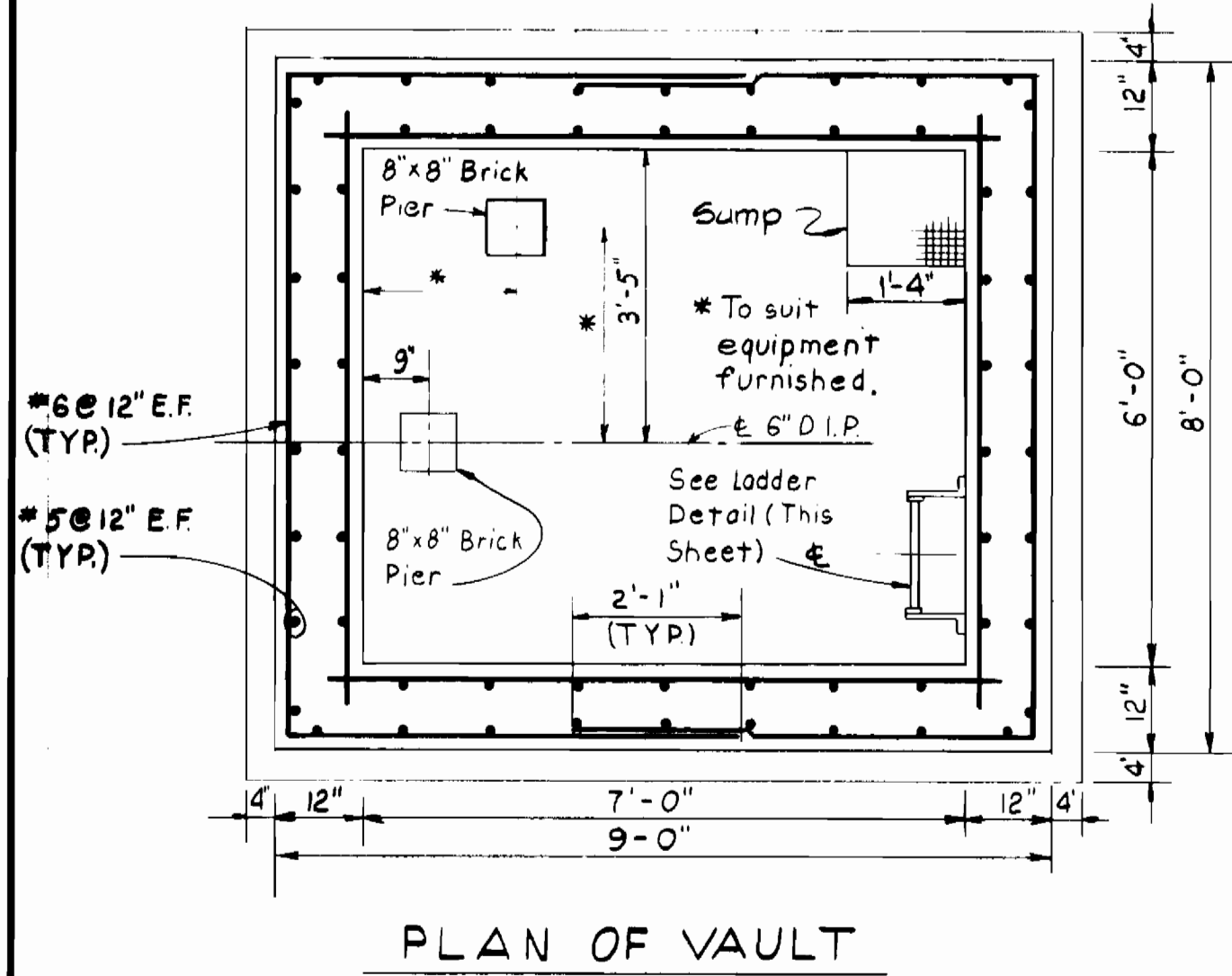
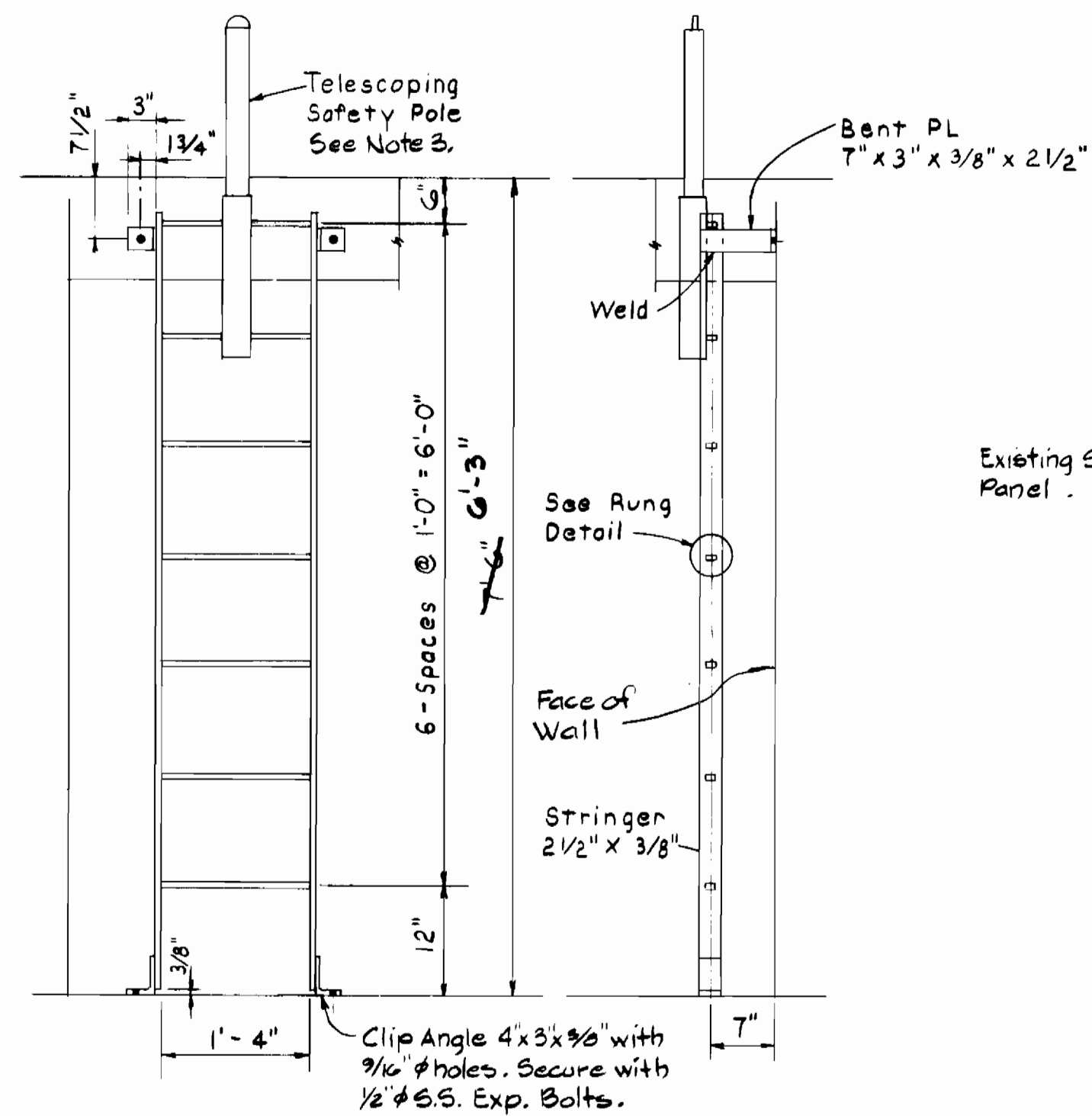
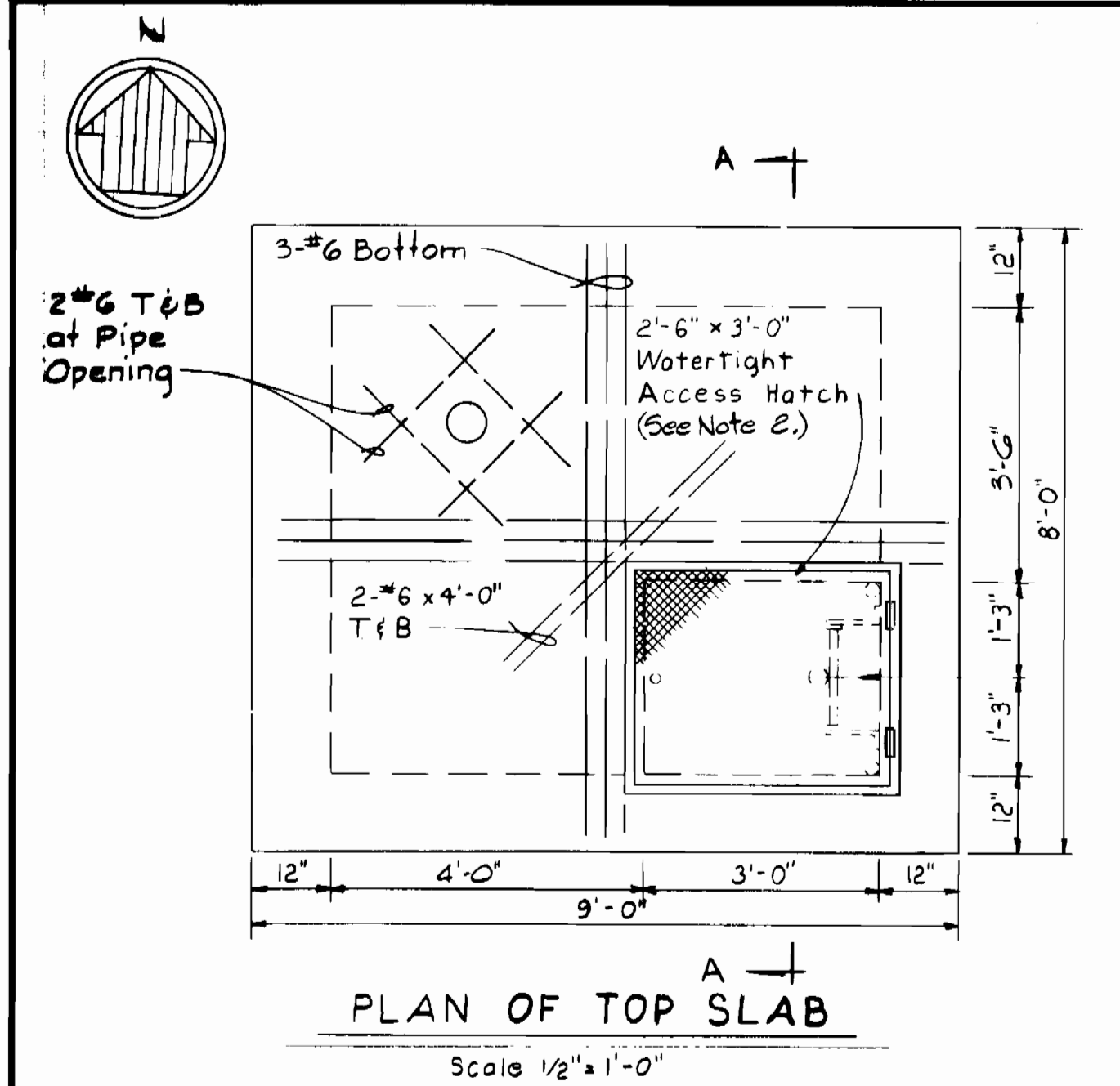
WHITMAN, REQUARDT AND ASSOCIATES ENGINEERS
 2315 ST. PAUL ST. BALTIMORE, MARYLAND



DES: E.F.D.
 DRN: J.R.K.
 CHK: P.B.N.
 DATE: 4/10/84
 BY: NO

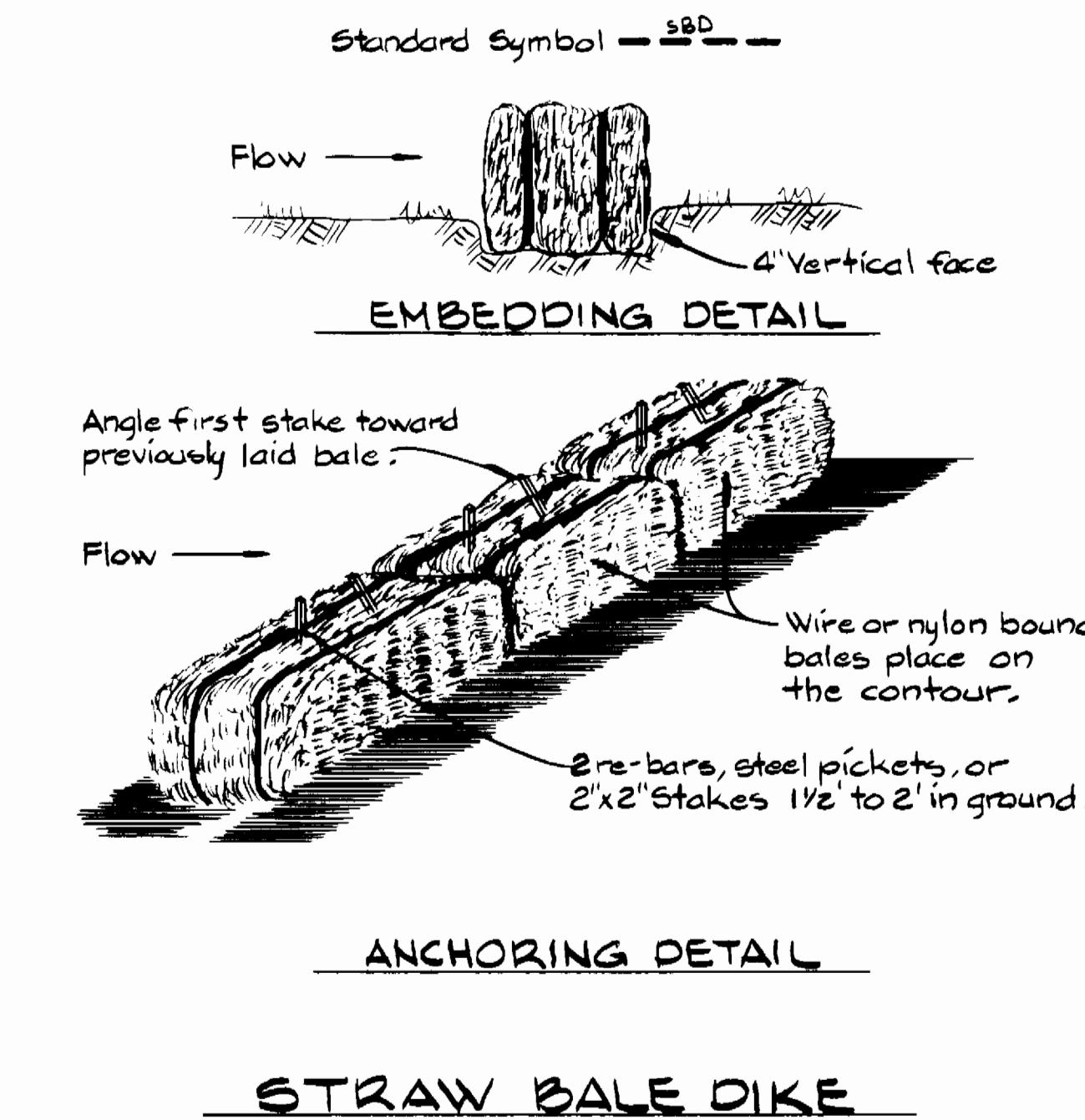
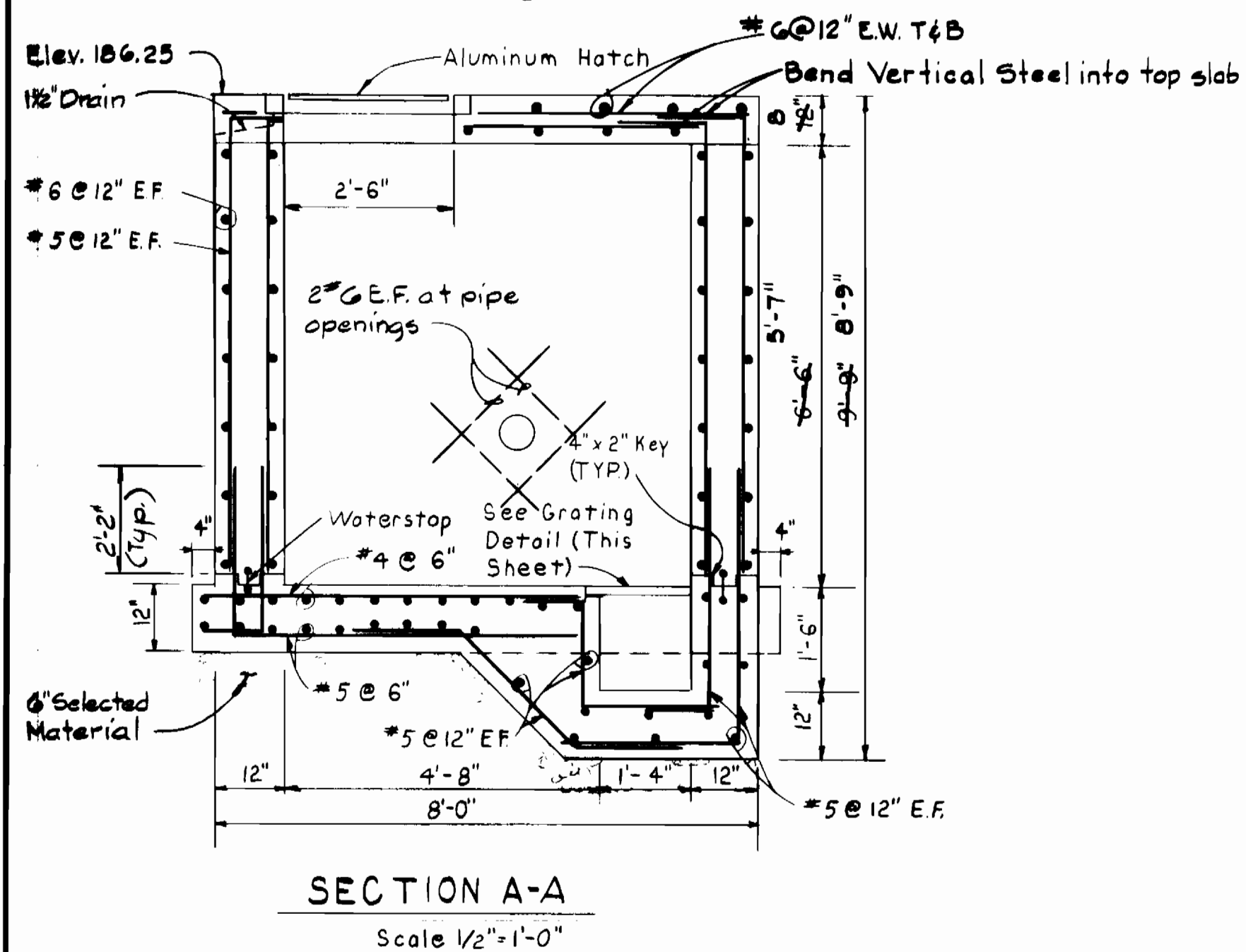
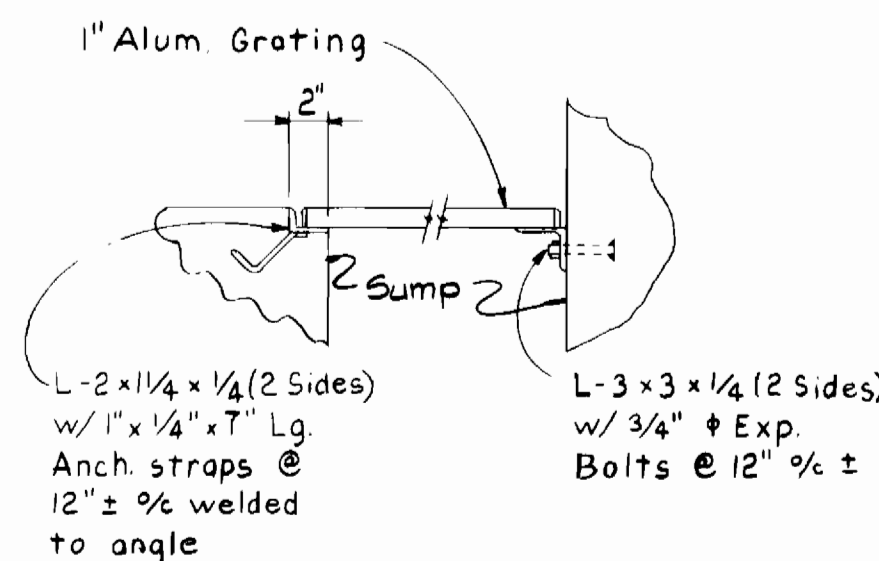
ELLICOTT CITY PRESSURE RELIEF & MONITORING
 General Revisions
 DATE

ELLICOTT CITY ELECTION DISTRICT NO. 2
 PROJECT NO. W-8138
 CONTRACT NO. 44-1191
 SCALE AS SHOWN
 SHEET 1 OF 2

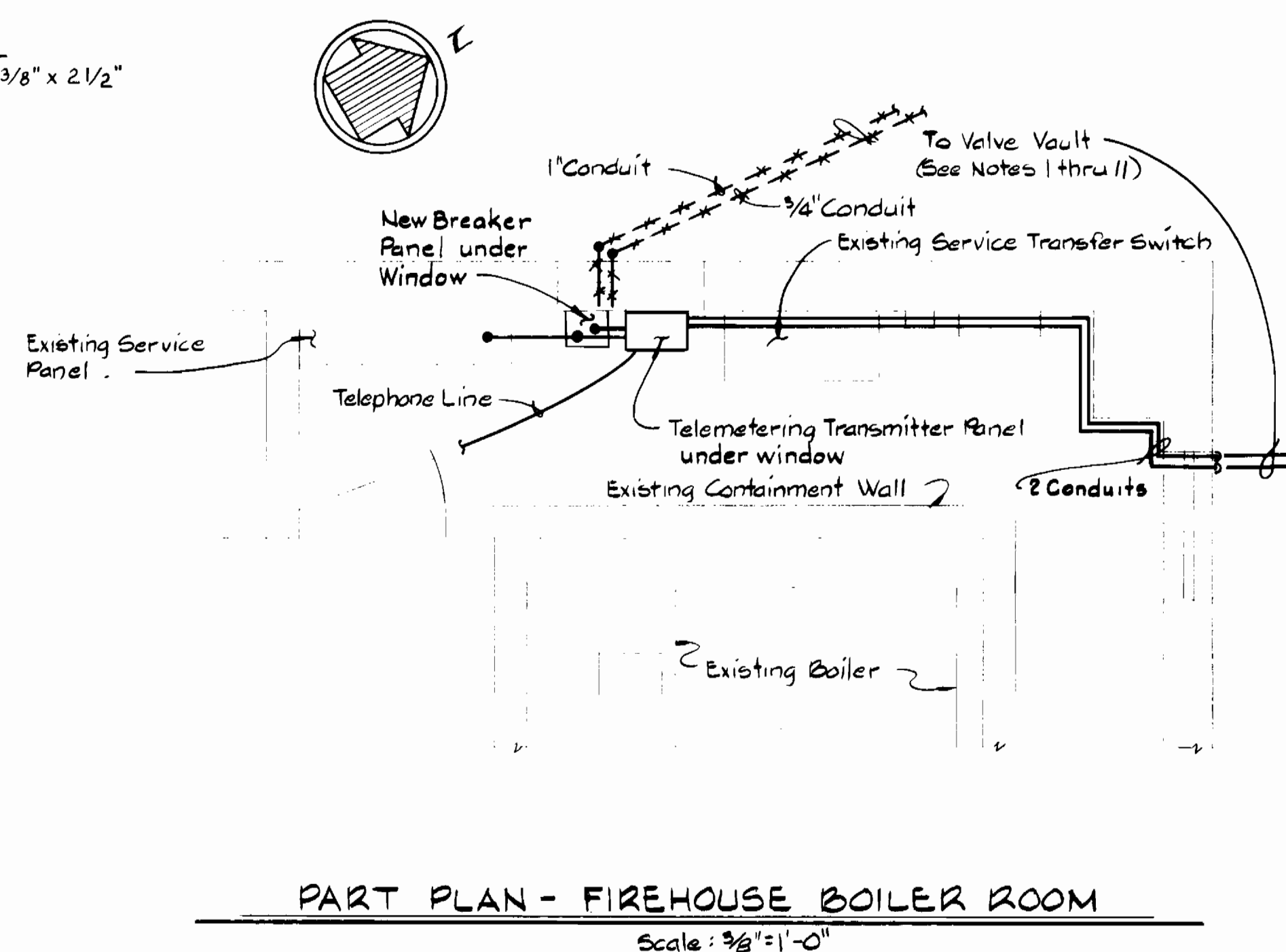


All material to be Aluminum Alloy 6061-T6.

LADDER DETAILS



STRAW BALE DIKE



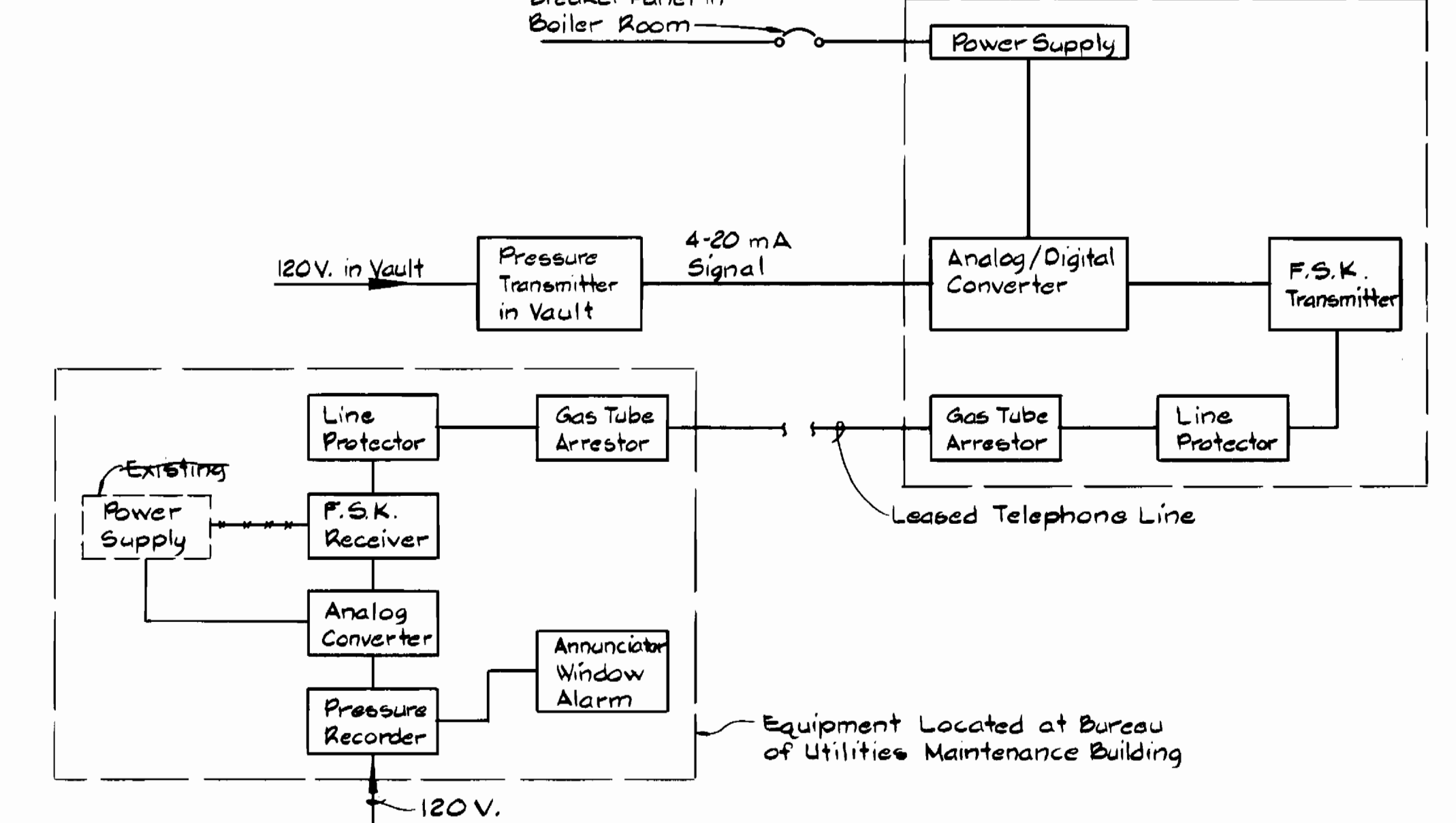
ELECTRICAL NOTES

- SUPPLY TELEMETERING TRANSMITTER WITH 120V. FROM ~~SPARE~~ 20A. BREAKER IN CUTLER-HAMMER PANEL AND PROVIDE LOCK "ON" BAR ON BREAKER.
- SUPPLY HEAT TAPE AND RADIANT HEATER ON SAME CIRCUIT WITH 120V. FROM ~~SPARE~~ 20A. BREAKER IN CUTLER-HAMMER PANEL AND PROVIDE LOCK "ON" BAR ON BREAKER. THERMOSTAT TO CONTROL BOTH.
- WIRE SHALL BE THWN #12 STRANDED.
- CONDUIT INDOORS - E.M.T. TYPE. CONDUIT UNDERGROUND AND EXTERIOR - 3/4" HEAVY WALL GALVANIZED, FLEXIBLE TYPE - "SEALTIGHT". CONDUIT, BOXES AND COVERS IN VALVE VAULT - 3/4" - PVC. SCHEDULE 40 CONDUIT, SWITCH AND RECEPTACLE COVERS TO BE PVC TYPE.
- SIGNAL CABLE FROM PRESSURE TRANSMITTER SHALL BE AS REQUIRED BY MANUFACTURE OF UNIT.
- RUN CONDUITS THRU WOODEN WINDOW FRAME AND DOWN WALL INTO GROUND A DEPTH OF 18".
- SUPPLY LIGHT AND TRANSMITTER IN VAULT WITH 120V. FROM ~~SPARE~~ BREAKER IN CUTLER-HAMMER PANEL, PROVIDE LOCK-"ON" BAR ON BREAKER.
- SUPPLY SUMP PUMP IN VAULT WITH 120V. FROM ~~SPARE~~ BREAKER IN CUTLER-HAMMER PANEL, PROVIDE LOCK "ON" BAR ON BREAKER.
- OUTLET AND SWITCH IN VAULT SHALL BE 20A RATED.
- LIGHT FIXTURE IN VALVE VAULT SHALL BE E960 E WITH MOUNTING FEET AND E960 PVF MANUFACTURE BY CARLON WITH 100 WATT LAMP.
- Circuit Panel - Cutler Hammer Load Center
 - Heater & Heater Tape
 - Lights
 - Sump Pump
 - Transmitter
 - 10 Blank Space

STRUCTURAL NOTES

- ALL FABRICATED ALUMINUM SHALL BE 6061-T6 WITH STANDARD MILL FINISH.
- ACCESS HATCH SHALL BE WATERTIGHT ALUMINUM CHANNEL FRAME TYPE, WITH 1/4" ALUMINUM DIAMOND PATTERN PLATE, FORGED BRASS HINGES, S.S. PINS, SPRING OPERATOR, AUTOMATIC HOLD-OPEN ARM RELEASE HANDLE, SNAP LOCK, WITH REMOVABLE HANDLE AND PADLOCK HASP. HATCH SHALL BE BILCO TYPE "J" OR EQUAL.
- TELESCOPING SAFETY POLE SHALL BE TELESCOPING TUBULAR HOT DIP GALVANIZED STEEL TUBE THAT LOCKS AUTOMATICALLY WHERE FULLY EXTENDED. POLE SHALL BE CONTROLLED BY ALLOY SPRING BALANCING MECHANISM, AND SHALL BE PERMANENTLY FIXED TO LADDER. SAFE POLE SHALL BE BILCO LADDER-UP OR EQUAL.

DETAIL A-A
Scale: 1/2" = 1'-0"



DEPARTMENT OF PUBLIC WORKS
HOWARD COUNTY, MARYLAND

W. F. Neuman 5-15-84
DIRECTOR OF PUBLIC WORKS - DATE

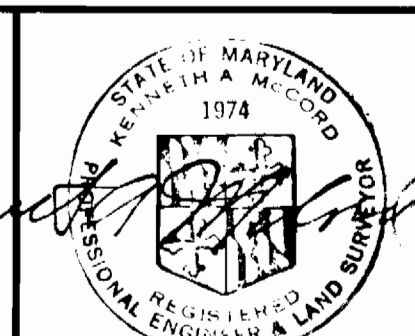
Robert Deegan 5-14-84
CHIEF - BUREAU OF UTILITIES - DATE

W. J. ...
CHIEF - BUREAU OF ENGINEERING - DATE

Allen ... 5/11/84
CHIEF UTILITIES DIVISION - DATE

WHITMAN, REQUARDT
AND ASSOCIATES
ENGINEERS

2315 ST. PAUL ST.
BALTIMORE, MARYLAND



DES: E.F.D.			
DRN: R.P.G.			
CHK: R.E.N.			
DATE: 4/10/84	J.R.K.	Added One Line Diagram	30/84
BY NO.		REVISION	

ELLCOTT CITY
PRESSURE RELIEF & MONITORING

800' SCALE MAP NO. 25 BLOCK NO. 522/857

ELLCOTT CITY
ELECTION DISTRICT NO. 2
PROJECT NO. W-8138
CONTRACT NO. 44-1191

SCALE AS SHOWN
SHEET 2 OF 2