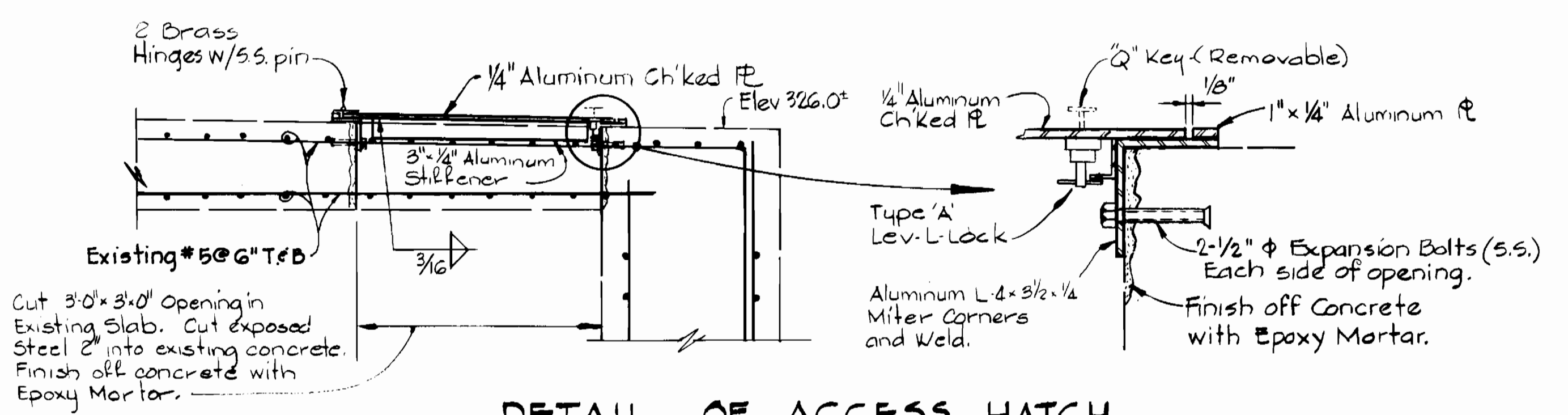
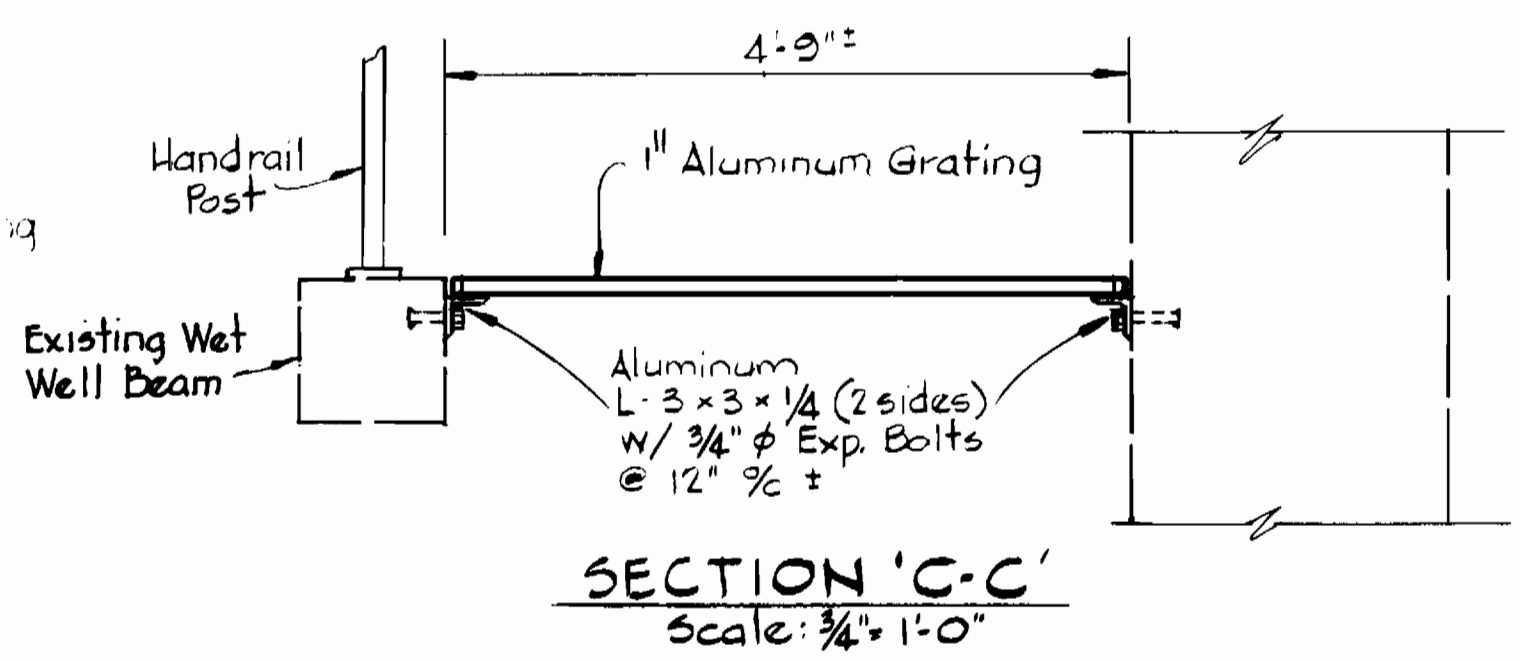
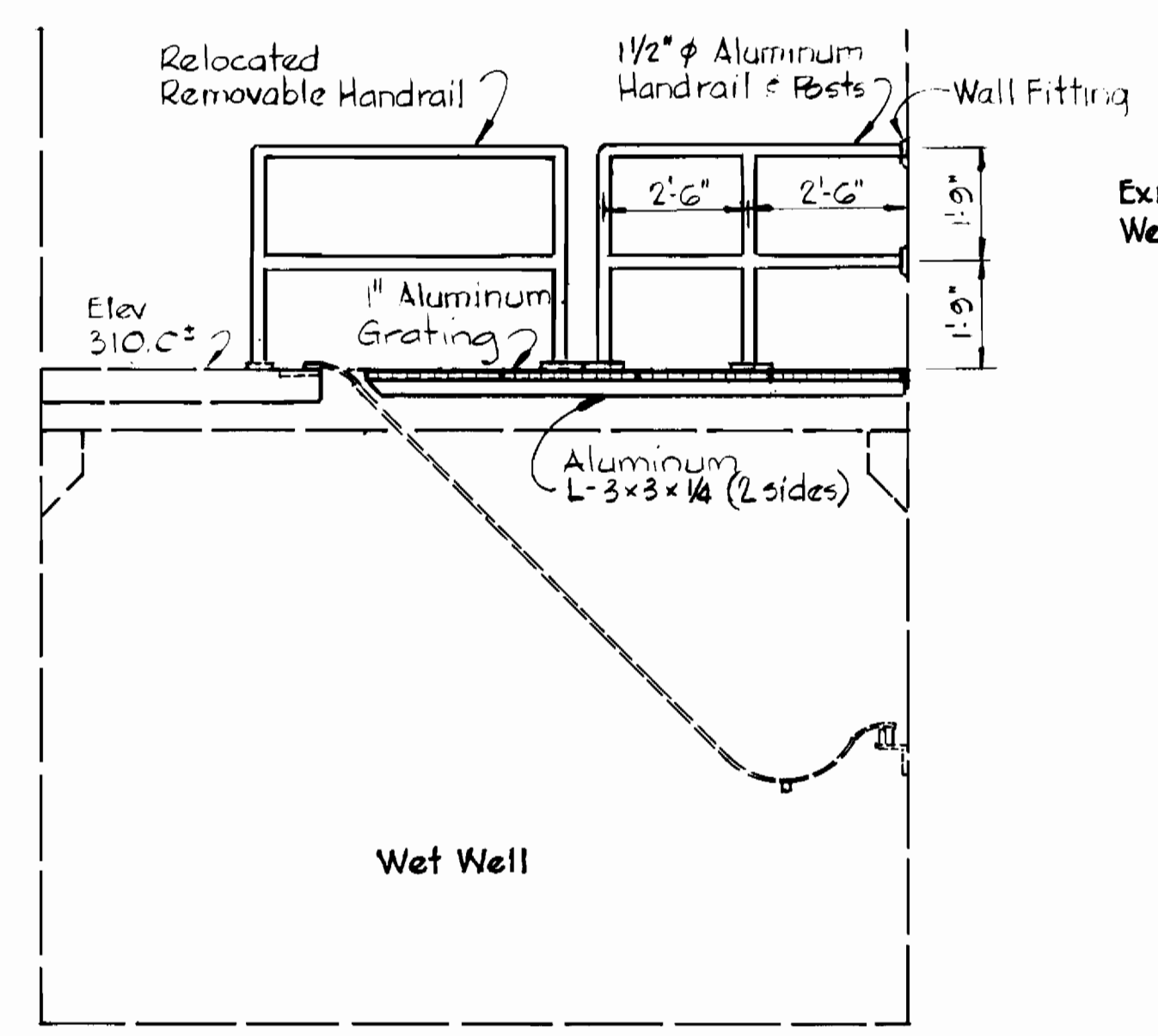
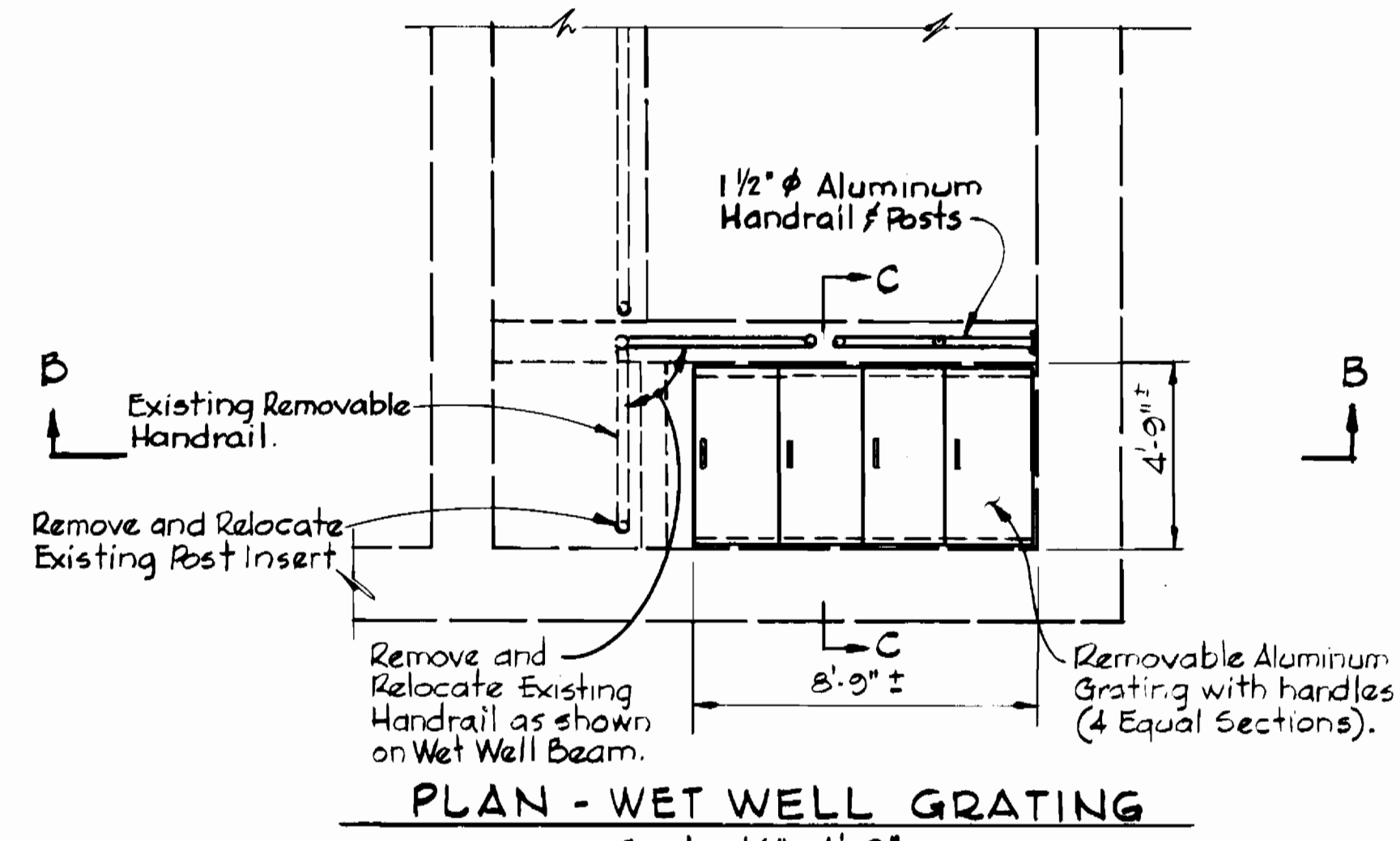


- CONCRETE NOTES**
1. ALL CONCRETE SHALL HAVE A MINIMUM COMPRESSIVE STRENGTH OF 3000 psi AT 28 DAYS.
 2. ALL REINFORCING STEEL SHALL CONFORM TO ASTM A615, GRADE 60.
 3. CONCRETE COVER FOR REINFORCING SHALL BE AS FOLLOWS UNLESS OTHERWISE NOTED ON THE DRAWINGS.
 - a. FORMED WALLS AND TOP OF SLAB 2"
 - b. UNFORMED CONCRETE, BOTTOM BARS IN FOOTINGS AND SLABS ON EARTH, GRAVEL OR CRUSHED STONE 3"
 4. ALL EXPOSED CONCRETE EDGES SHALL BE CHAMFERED 3/4" UNLESS OTHERWISE NOTED.
 5. THE CONTRACTOR SHALL SUBMIT SHOP DETAILS OF REINFORCING STEEL BEFORE PROCEEDING WITH FABRICATION.

- STRUCTURAL ALUMINUM NOTES**
1. ALL ALUMINUM IN CONTACT WITH CONCRETE SHALL BE COATED WITH BITUMASTIC PAINT.
 2. ALL STRUCTURAL ALUMINUM SHALL BE ALLOY 6061-T6.
 3. ALL GRATING SECTIONS SHALL BE CAPABLE OF SUPPORTING A LIVE LOAD OF 125 psf WITH A MAXIMUM DEFLECTION OF 1/4" AT 100 psf.
 4. EACH SECTION OF GRATING SHALL BE MECHANICALLY FASTENED TO SUPPORTS WITH 2 FASTENERS AT EACH END.

- DESIGN LOAD**
- LIVE LOADS:
- a. ACCESS HATCHES - 300 #/FT.²
 - b. EXTERIOR SLAB OVER WET WELL - 300 #/FT.² ADJACENT TO NEW HATCH.



REVIEWED FOR HOWARD SOIL CONSERVATION DISTRICT AND MEETS TECHNICAL REQUIREMENT

John M. Hahn 11-8-83
SIGNATURE DATE
U.S. SOIL CONSERVATION SERVICE

This Development Plan is approved for Soil Erosion and Sediment Control by the Howard County Conservation District.

APPROVED: *Howard S.C.D.* 11-8-83
DATE

Sediment Control Measures for this Contract will be implemented in accordance with Article 15 of the Standard Specifications.

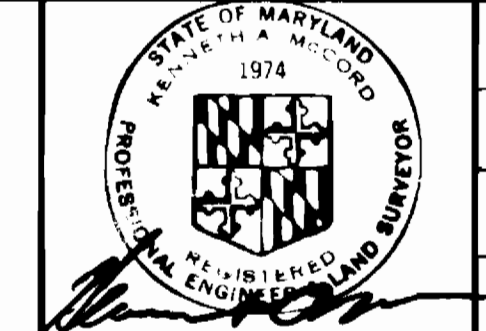
Maryland Route 108 Sewage Pumping Station Project No. S-6041 Contract No. 20-1143

DEPARTMENT OF PUBLIC WORKS
HOWARD COUNTY, MARYLAND

Robert M. Brown 4-9-87
DIRECTOR OF PUBLIC WORKS - DATE
CHIEF - BUREAU OF UTILITIES - DATE

Allen S. Brown 11/8/83
CHIEF - BUREAU OF ENGINEERING - DATE
CHIEF - UTILITY DIVISION - DATE

WHITMAN, REQUARDT AND ASSOCIATES ENGINEERS
2315 ST. PAUL ST.
BALTIMORE, MARYLAND



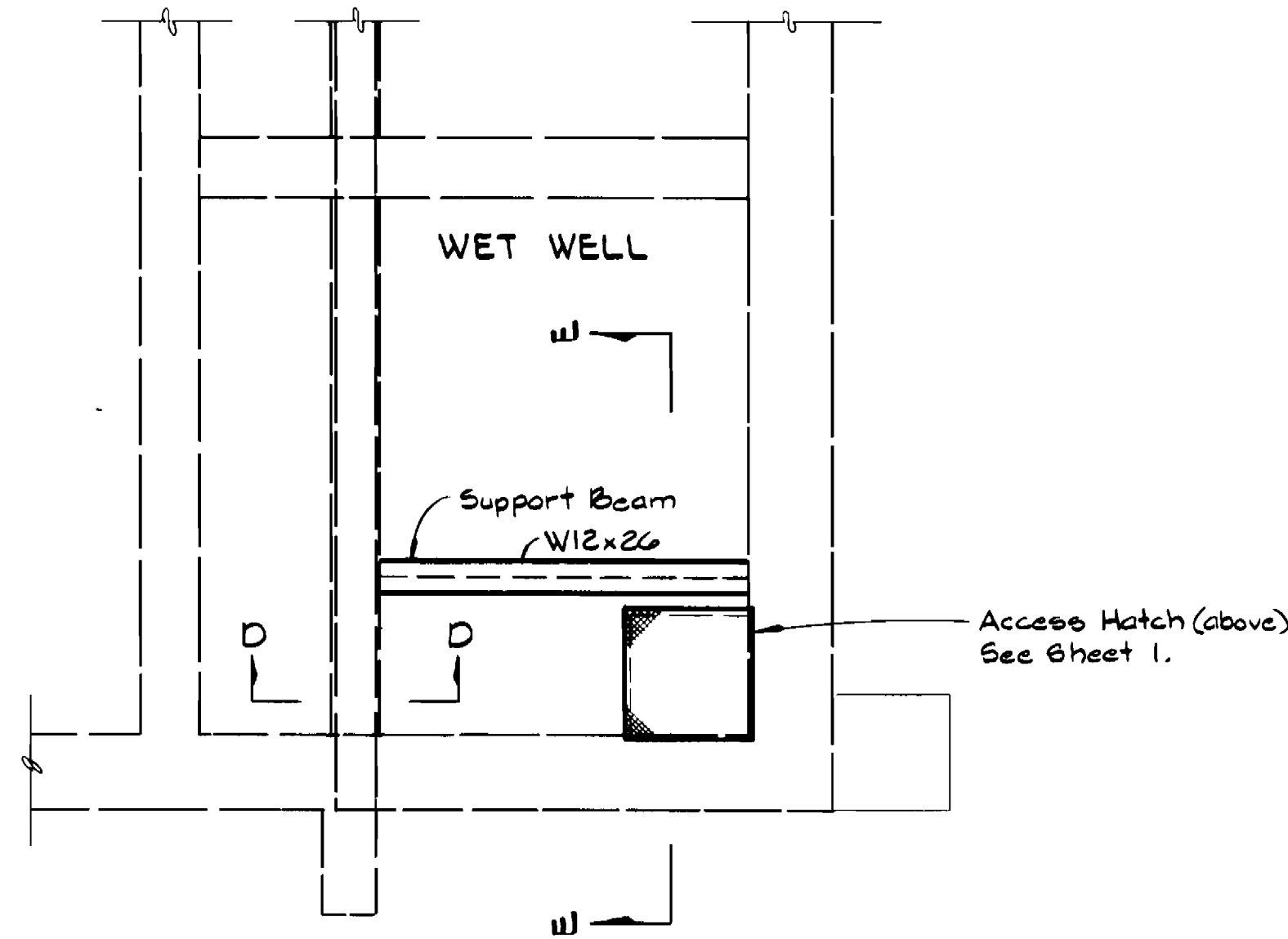
DES: J.W.B.					
DRW: J.W.B.					
CHK: R.B.N.					
DATE: 3/25/83					
BY: J.R.K.	NO. 1	REVISION	Note Revision		

DETAILS OF PUMPING STATION IMPROVEMENTS FOR DEBRIS REMOVAL

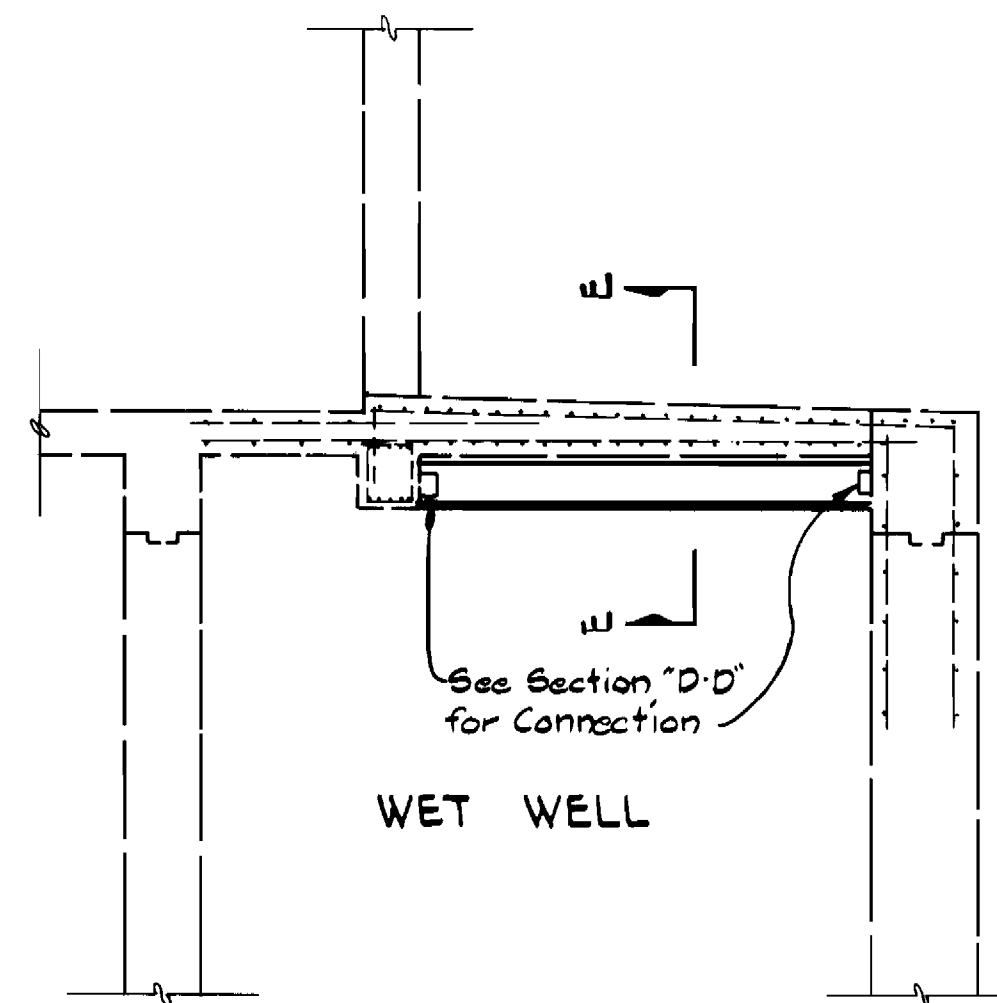
600' SCALE MAP NO. 30 BLOCK NO. 2

MARYLAND ROUTE 108 SEWAGE PUMPING STATION
ELECTION DISTRICT NO. 2
CONTRACT NO. 20-1143

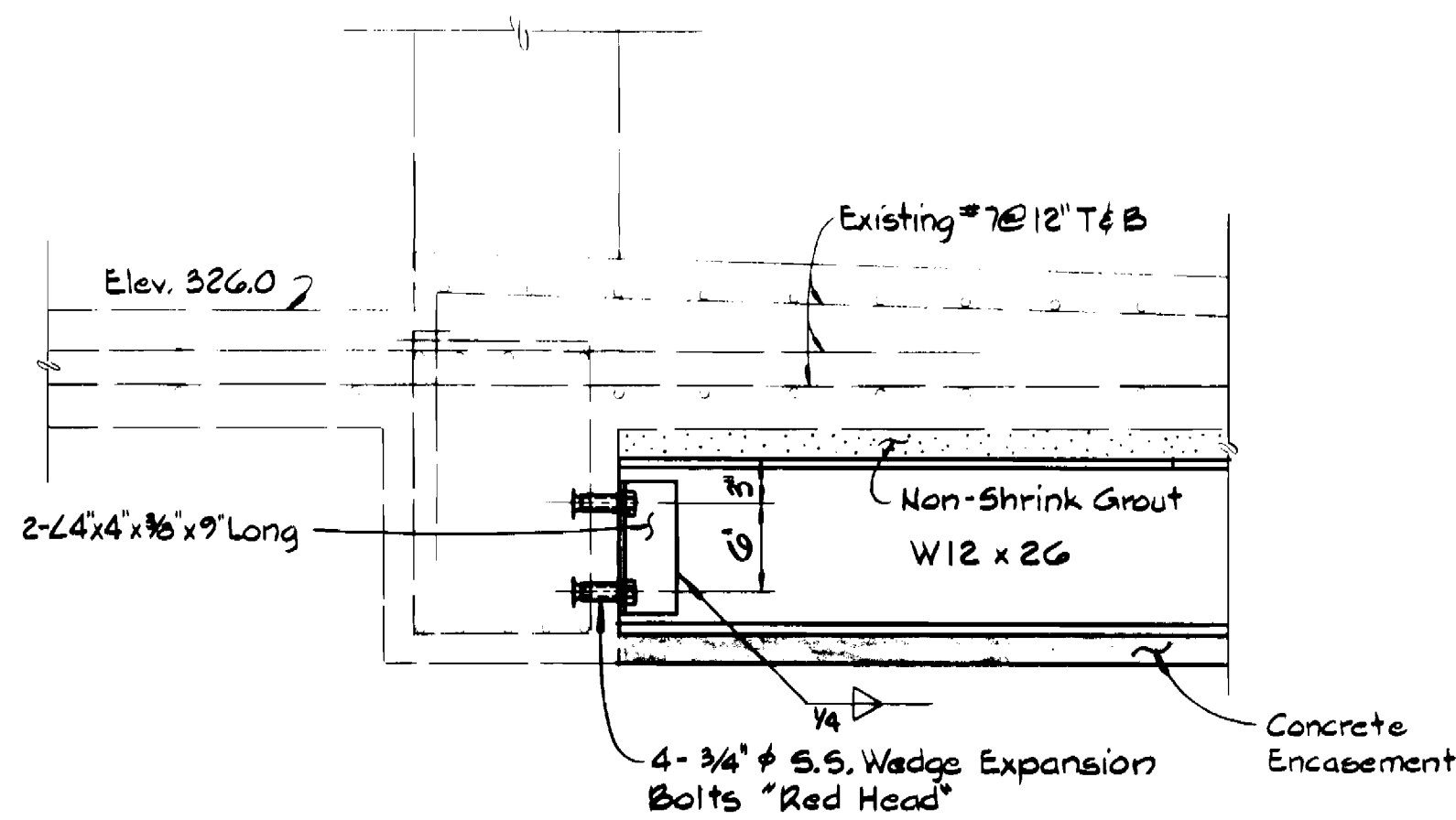
SCALE AS SHOWN
SHEET 1 OF 3



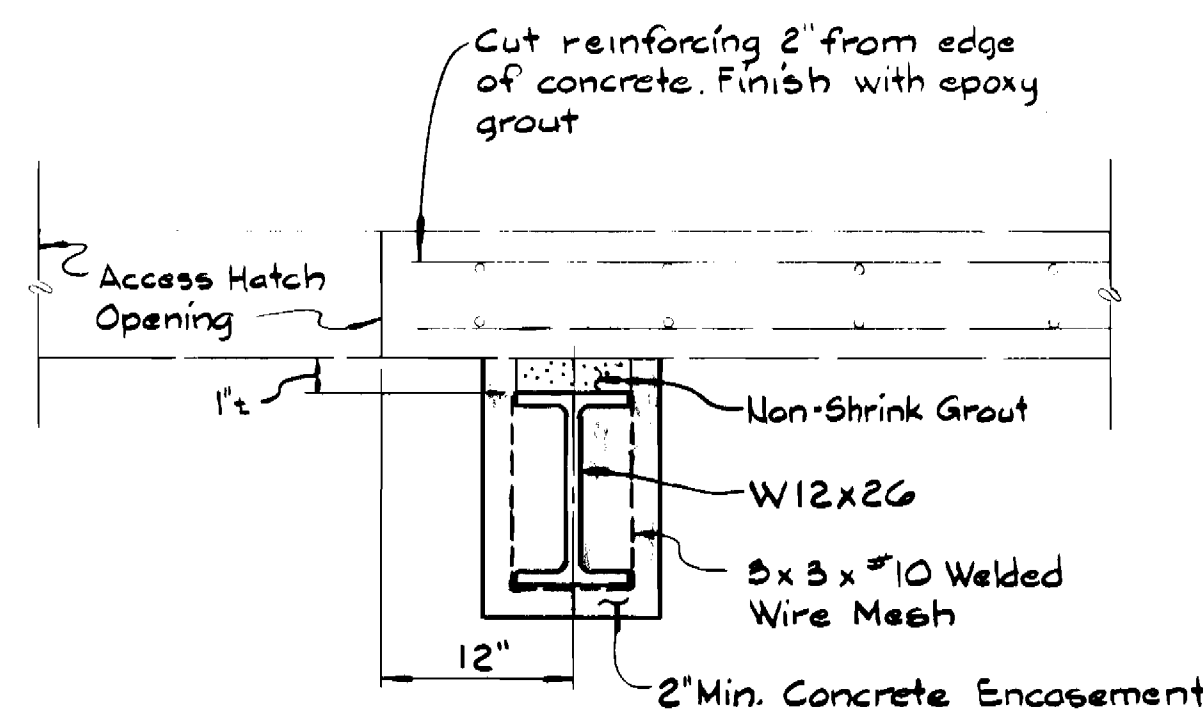
PLAN AT ELEVATION 325.0
Scale: 1/4"=1'-0"



ELEVATION
Scale: 1/4"=1'-0"



SECTION "D-D"
Scale: 1"=1'-0"



SECTION "E-E"
Scale: 1"=1'-0"

SUPPORT BEAM

Maryland Route 108
Sewage Pumping Station
Project No. S-6041
Contract No. 20-1143

DEPARTMENT OF PUBLIC WORKS
HOWARD COUNTY, MARYLAND
Director: *John F. Nemy* 4-5-84
Chief - Bureau of Engineering: *Robert M. Bringer* 4-9-84
Chief - Bureau of Utilities: *Allen S. Brown* 4/3/84

WHITMAN, REQUARDT
AND ASSOCIATES
ENGINEERS
2315 ST. PAUL ST.
BALTIMORE, MARYLAND
Professional Engineer Seal

DES: W.M.C.			
DRN: J.R.K.			
CHK: R.B.N.			
DATE: 2/27/84	BY:	NO.:	REVISION:

DETAILS OF
PUMPING STATION IMPROVEMENTS
FOR DEBRIS REMOVAL
600' SCALE MAP NO. 30 BLOCK NO. 9

MARYLAND ROUTE 108
SEWAGE PUMPING STATION
ELECTION DISTRICT NO. 2
CONTRACT NO. 20-1143
SCALE AS SHOWN
SHEET 2 OF 2