

VICINITY MAP
Scale: 1" = 600'

Water No. 801
Waste Water Disposal: N/A
Type of Buildings: N/A
No. of SHC: N/A
No. of WHC: N/A

- GENERAL NOTES**
- The approximate locations of existing utilities are shown. The Contractor shall take all necessary precautions to protect the existing utilities and to maintain uninterrupted services. Any damage incurred due to the Contractor's operation shall be repaired immediately at the Contractor's expense.
 - All horizontal controls are based on Maryland State Coordinates.
 - All vertical controls are based on U.S.S. Datum.
 - All pipe elevations shown are invert elevations.
 - All utilities shall be cleared by a minimum of 8'. All utility poles shall be cleared by a minimum of 2'-0" or tunneled if required. Cost for tunneling or bracing poles shall be included in the unit prices bid for excavation and backfill for water mains.
 - For all standard details see the standards bound in the specifications.
 - The Contractor shall locate existing utilities in advance of construction operations in the vicinity of proposed utilities.
 - The Contractor shall notify the following utilities or agencies at least five (5) days before starting work on these drawings:
 - State Highway Administration - 531-6533
 - Baltimore Gas and Electric Company - Underground Electric Distribution Engineering - Damage Control - 234-5891
 - Baltimore Gas and Electric Company - Underground Gas Distribution Engineering - 284-5533
 - Chesapeake and Potomac Telephone Company - 725-8978
 - Miss Utility - 1-559-0100
 - Trees shall be protected from damage to the maximum extent. Trees located within construction strips shall not be removed or damaged by the Contractor.
 - The Contractor shall remove trees, stumps, and roots along the line of excavation as directed by the Engineer. The cost for such removal shall be included in the unit prices bid for excavation and backfill for water mains.
 - The Contractor shall place regulation "Men Working" and warning signs as required to comply with Maryland State Highway Administration Manual of Traffic Control for Highway Construction and Maintenance Operations.
 - All water mains shall be C.I.P., D.I.P., or A.C.P. unless otherwise noted.
 - The top of all water mains shall have a minimum of 3'-0" cover unless otherwise noted.
 - All valves shall be strapped to the trees in accordance with the standard details.
 - All water main fittings shall be buttressed or anchored with concrete in accordance with the standard details.

QUANTITIES			
ITEM	ESTIMATED	"AS-BUILT"	SUPPLIER
16" W	2400'	2400'	GRIFFIN
16" x 16" TEE	2	2	"
AIR REL. M.H.	1	1	"
16" VALVE	1	1	MUELLER

CONTRACT NO. 876-W
MEADOWRIDGE RD. - SOUTH OF U.S. ROUTE 1
HOWARD COUNTY PROJECT W-5-8047
WATER MAIN EXTENSION

As Built 11/30/61

DEPARTMENT OF PUBLIC WORKS
HOWARD COUNTY, MARYLAND

James D. Brown, Jr. 11/6/79
CHIEF-BUREAU OF UTILITIES DATE

Allan L. Brown 11/6/79
CHIEF-BUREAU OF ENGINEERING DATE

John F. Nunn 11-7-79
DIRECTOR OF PUBLIC WORKS DATE

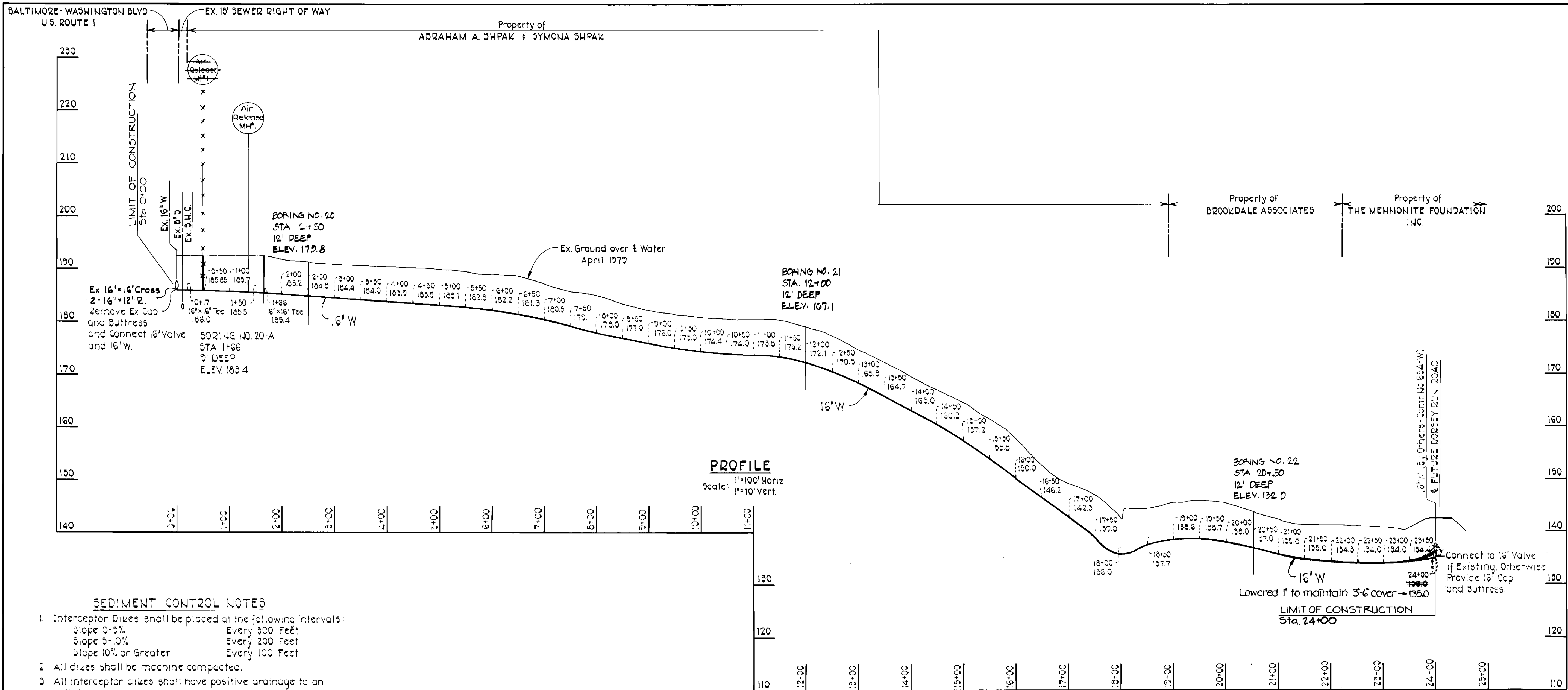
PURDUM & JESCHKE
ENGINEERS
1023 N. CALVERT ST.
BALTIMORE, MARYLAND

CONTRACT NO. 876-W
CAPITAL PROJECT NO. W-5-8047

PLAN

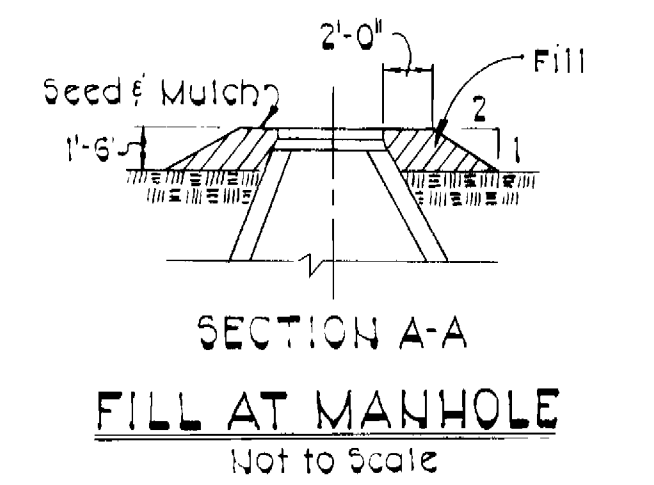
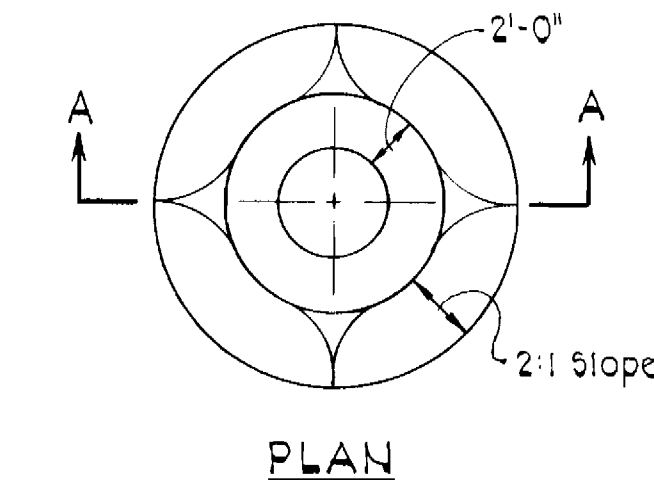
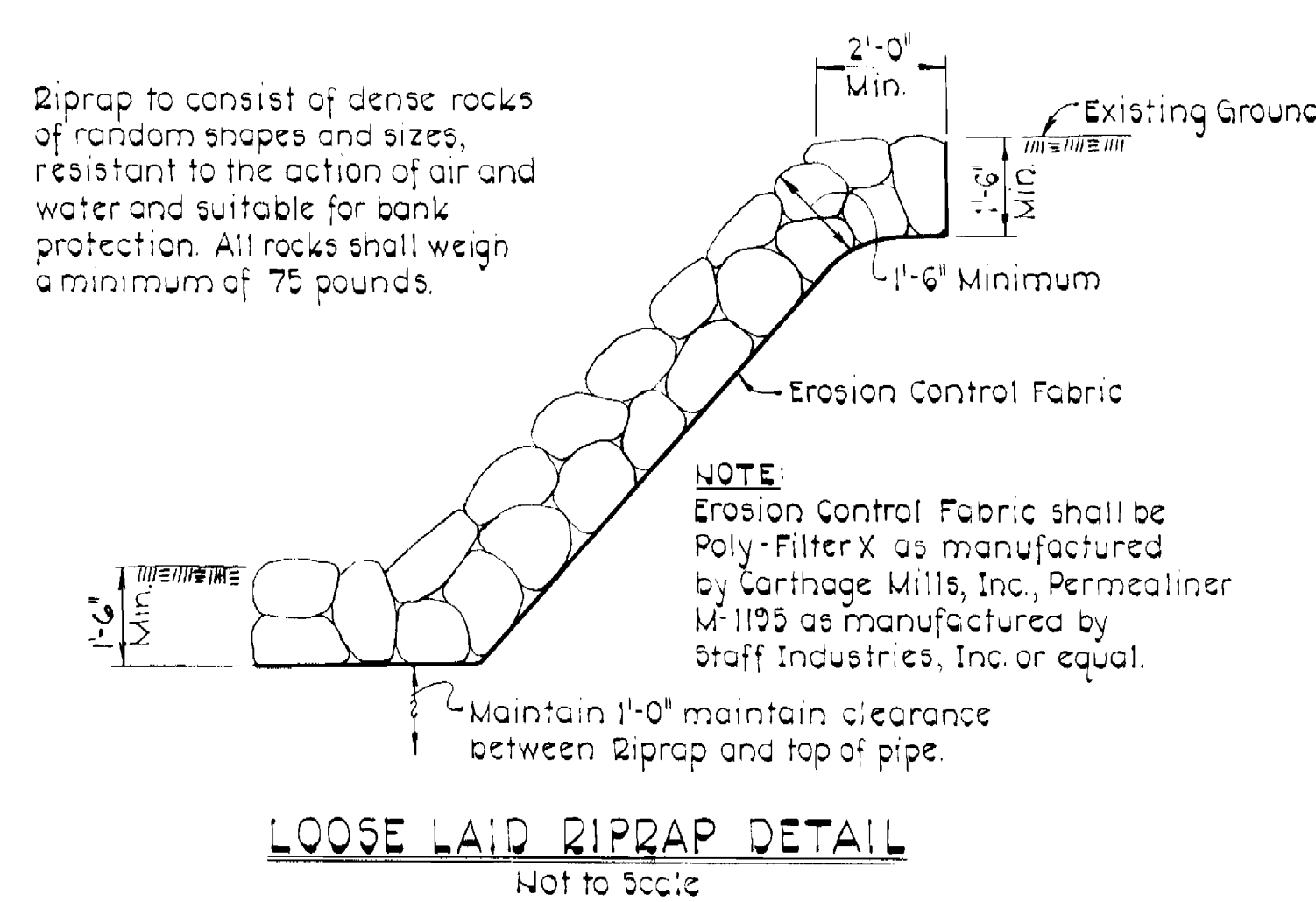
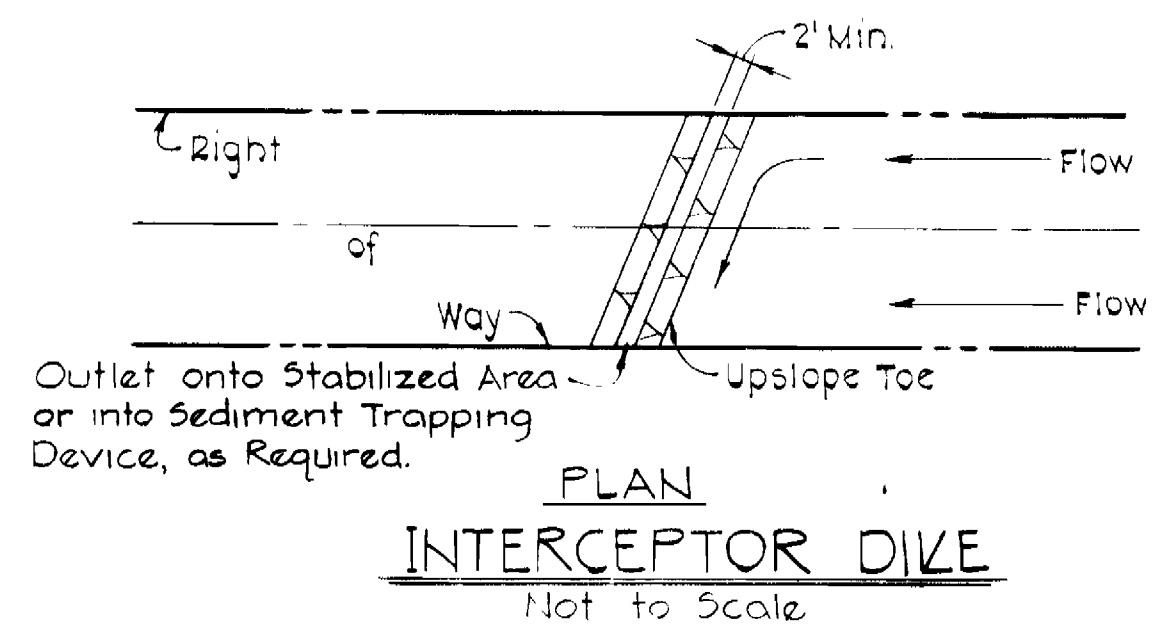
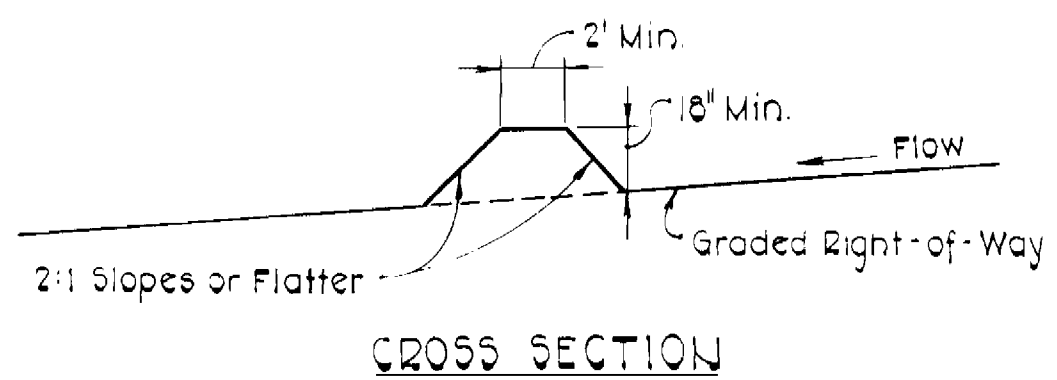
MEADOWRIDGE RD. - SOUTH OF U.S. ROUTE 1
WATER MAIN EXTENSION

DRAWING NO. 1 OF 2
SCALE 1" = 50'
Designed: LKG
Drafted: ARZ
Checked: RHB
10/10/79



SEDIMENT CONTROL NOTES

1. Interceptor Dikes shall be placed at the following intervals:
 Slope 0-5% Every 300 Feet
 Slope 5-10% Every 200 Feet
 Slope 10% or Greater Every 100 Feet
2. All dikes shall be machine compacted.
3. All interceptor dikes shall have positive drainage to an outlet.
4. Top width may be wider and side slopes may be flatter if desired to facilitate crossing by construction traffic.
5. Field location should be adjusted as needed to utilize a stabilized safe outlet.
6. Interceptor dikes shall have an outlet that functions with a minimum of erosion. Runoff shall be conveyed to a sediment trapping device such as a sediment trap or sediment basin when either the interceptor dike channel or the drainage area above the dike are not adequately stabilized.
7. Periodic inspection and required maintenance must be provided.
8. All disturbed areas shall be seeded straw mulched in accordance with Section 5-20 of the Specifications. Payment for seeding and mulching shall be included in the unit price bid for Excavation and Backfill for water mains.



W. J. Jeschke

PURDUM & JESCHKE
 ENGINEERS
 1023 N. CALVERT ST.
 BALTIMORE, MARYLAND

DEPARTMENT OF PUBLIC WORKS
HOWARD COUNTY, MARYLAND

James F. Blaylock, Chief-Bureau of Utilities, DATE 11/7/79
 Allen J. Brown, Chief-Bureau of Engineering, DATE 11-7-79

CONTRACT NO. 876-W
 CAPITAL PROJECT NO. W-5-8047

PROFILE AND DETAILS

MEADOWRIDGE RD. - SOUTH OF U.S. ROUTE 1
 WATER MAIN EXTENSION

DRAWING NO. 2 OF 2
 SCALE AS SHOWN

Designed: LKG
 Drafted: ARZ
 Checked: RHB
 10/10/79

CONTRACT NO. 876-W
 MEADOWRIDGE RD. - SOUTH OF U.S. ROUTE 1
 HOWARD COUNTY PROJECT W-5-8047
 WATER MAIN EXTENSION
 As Built 11/30/81