

**VICINITY MAP**  
Scale: 1"=120'

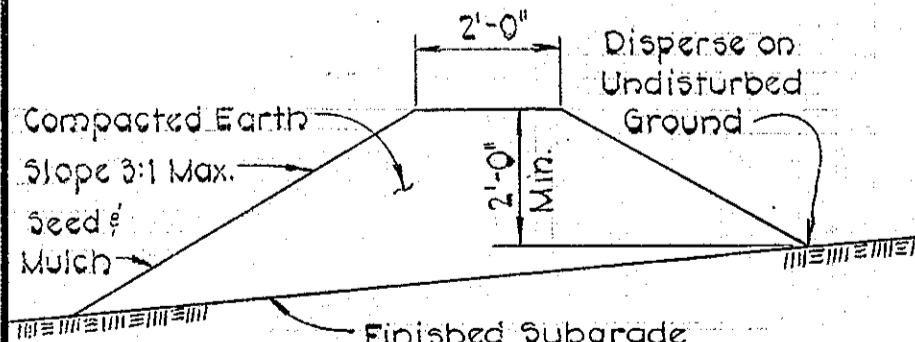
**GENERAL NOTES**

- Approximate locations of existing utilities are shown. The Contractor shall take all necessary precautions to protect the existing utilities and maintain uninterrupted service. Any damage incurred due to the Contractor's operation shall be repaired immediately at the Contractor's expense.
- All pipe elevations shown are invert (I) elevations.
- The Contractor shall locate existing utilities well in advance of construction activities.
- The Contractor shall notify the following utilities or agencies at least five (5) days before starting work on these plans:
  - Baltimore Gas and Electric Company - Underground Electric Distribution Engineering - "Damage Control" - 254-5691
  - Baltimore Gas and Electric Company - Underground Gas Distribution Engineering - "Damage Control" - 559-0100
  - Chesapeake and Potomac Telephone Co. - 393-3630
  - American Telephone and Telegraph Co. - Miss Utility - 559-0100 (Collect)
  - Colonial Pipeline Company - (301) 781-4641
- For Details not shown on the drawing, see Standard Details bound in Specifications.
- Clear all utilities by a minimum of 6'-inches vertically. Clear all utility poles by 2'-0" minimum or tunnel as required. Any costs incurred to the Contractor for tunneling or bracing poles shall be included in the unit prices bid for excavation and backfill for sewer mains.
- The Contractor shall provide a pipe joint in all sewer mains within 2'-0" of exterior manhole walls.
- All manholes shall be 4'-0" inside diameter, unless otherwise noted.
- All horizontal and vertical controls are based on Maryland State Grid Coordinate System.

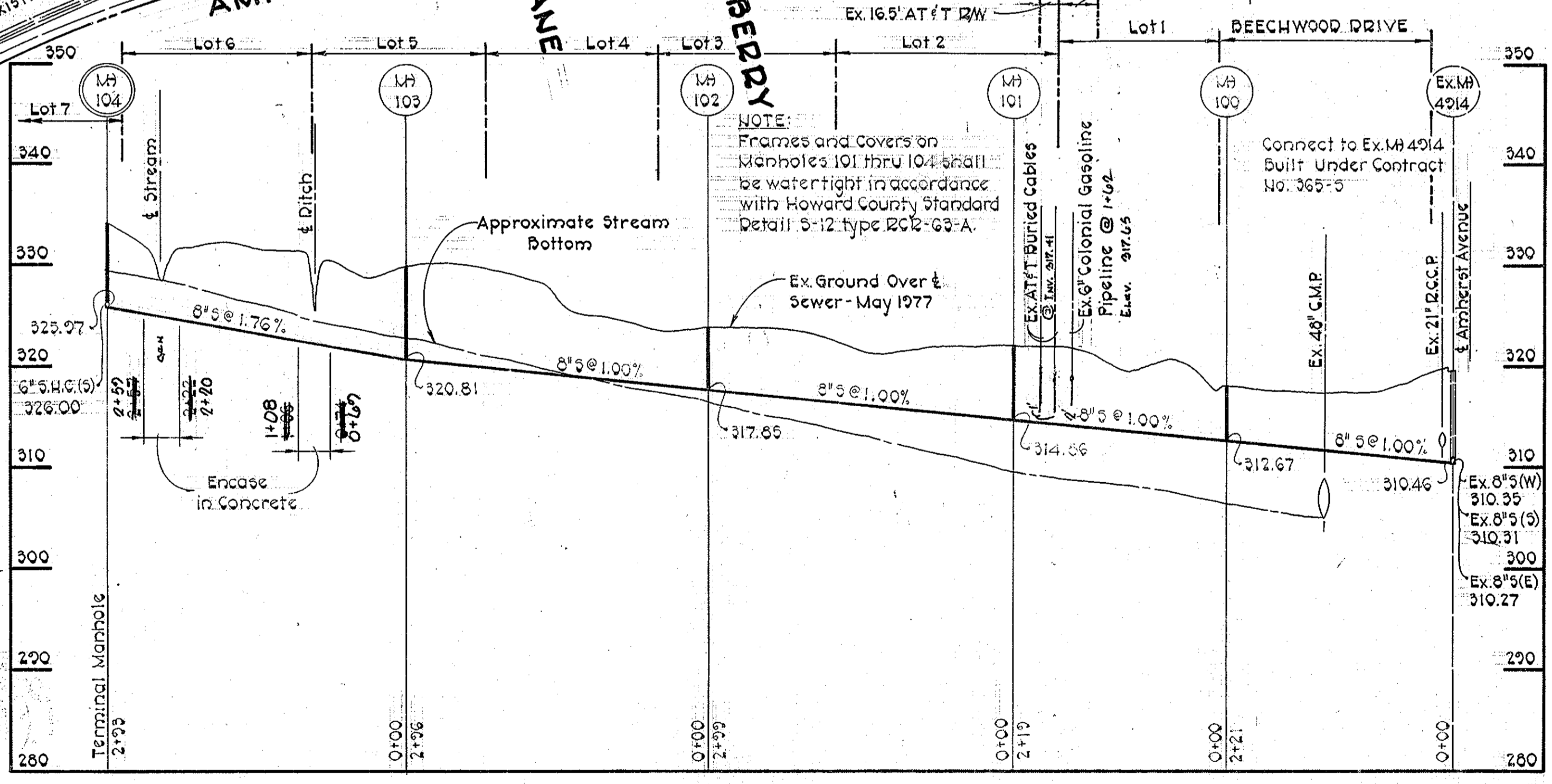
**NOTE:**  
The cost of ungrouted riprap and erosion control fabric shall be included in the unit prices bid for excavation and backfill for sewer mains.

**NOTE:**  
Frames and Covers on Manholes 101 thru 104 shall be watertight in accordance with Howard County Standard Detail 5-12 type RCR-03-A.

Diversion berms are required every 250' on continuous slopes of 4% or greater. The berms shall conform to the typical section shown hereon and shall be constructed across the construction areas immediately after the backfilling of the pipe trench and prior to placing stabilization in order to prevent erosion of the backfilled areas.

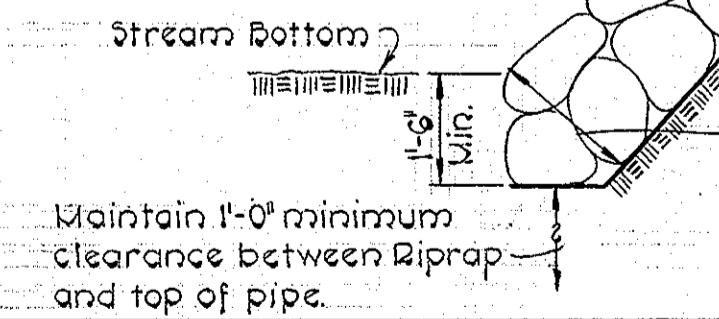


**TEMPORARY EARTH DIVERSION BERM**  
No Scale



**PROFILE**  
Scale: Horiz. 1"=100'  
Vert. 1"=10'

Riprap to consist of dense rocks of random shapes and sizes, resistant to the action of air and water, and suitable for bank protection. All rocks shall weigh a minimum of 150 pounds.



**UNGROUTED RIPRAP DETAIL**  
Not to Scale

QUANTITIES		
ITEM	ESTIMATED	AS-BUILT
8" Sewer	1328 L.F.	1306 L.F.
6" Sewer	70 L.F.	70 L.F.
Manholes	38 V.F.	34.25 V.F.

CONTRACT NO. 2748-D-5  
ALLVIEW ESTATES-SECTION II  
SIXTH ELECTION DISTRICT  
HOWARD COUNTY, MARYLAND

**PURDUM & JESCHKE**  
ENGINEERS  
1023 N. CALVERT ST.  
BALTIMORE, MARYLAND

**DEPARTMENT OF PUBLIC WORKS**  
HOWARD COUNTY, MARYLAND  
8-23-77  
DIRECTOR OF PUBLIC WORKS DATE CHIEF BUREAU OF ENGINEERING DATE

CONTRACT NO. 2748-D-5

**PLAN, PROFILE, AND DETAILS**  
SEWER MAIN

**ALLVIEW ESTATES-SECTION II**  
RESUBDIVISION OF PARCEL "F"  
SIXTH ELECTION DISTRICT  
HOWARD COUNTY, MARYLAND

**DRAWING**  
NO. 1  
OF 1

**SCALE**  
As Shown

Designed: REP  
Drawn: ARZ  
Checked: TAF

WS 748-D-5/1