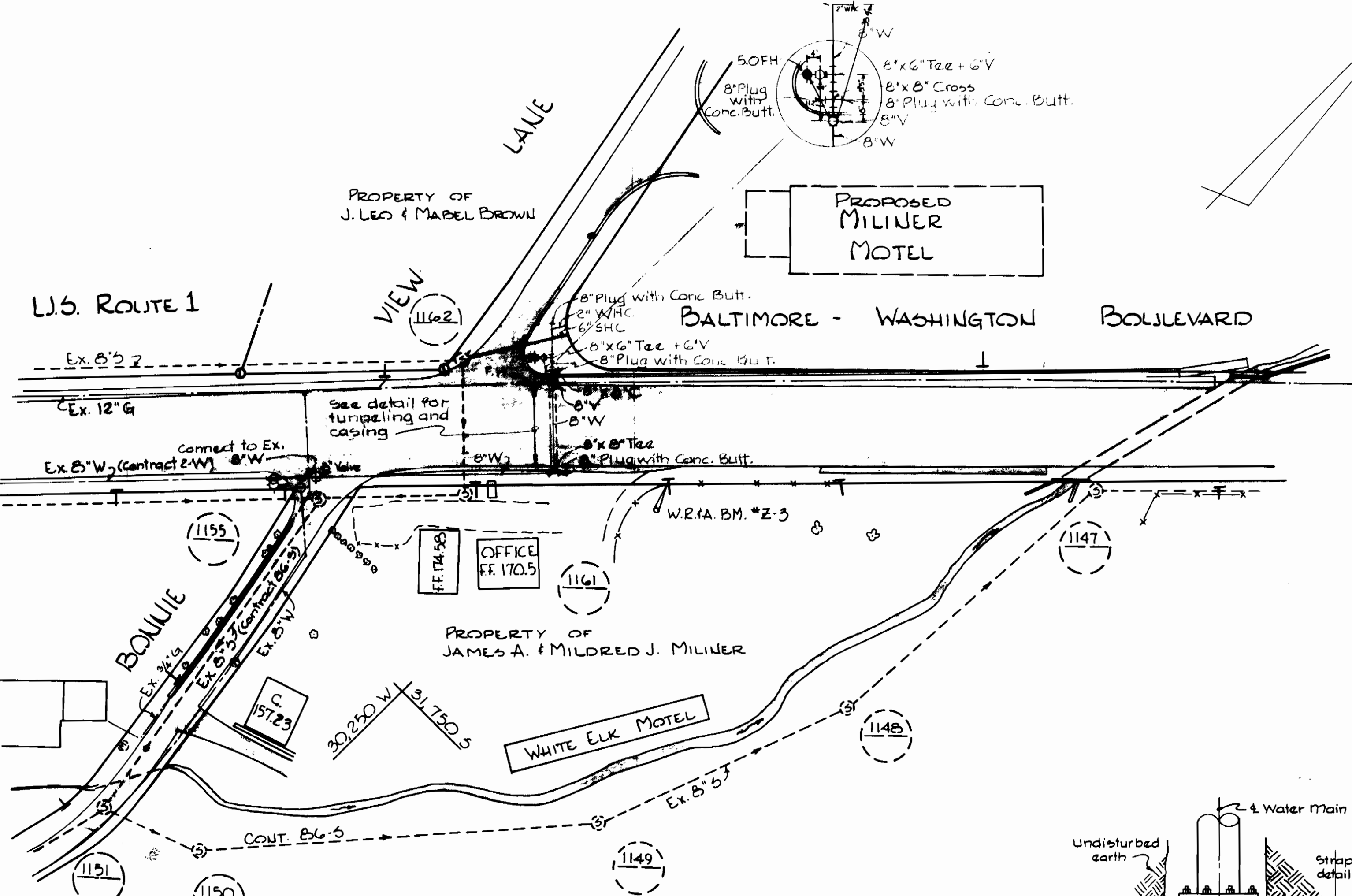
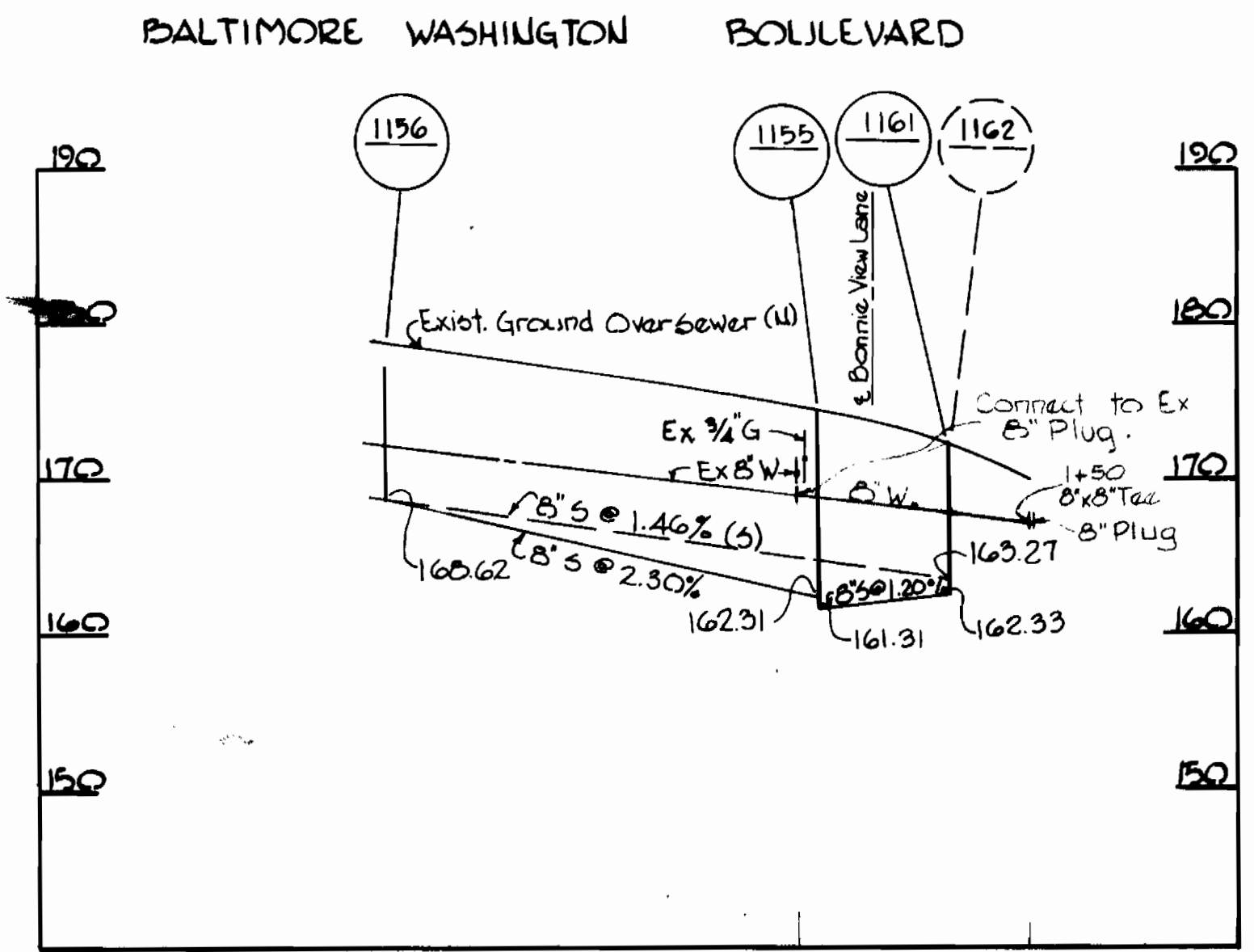


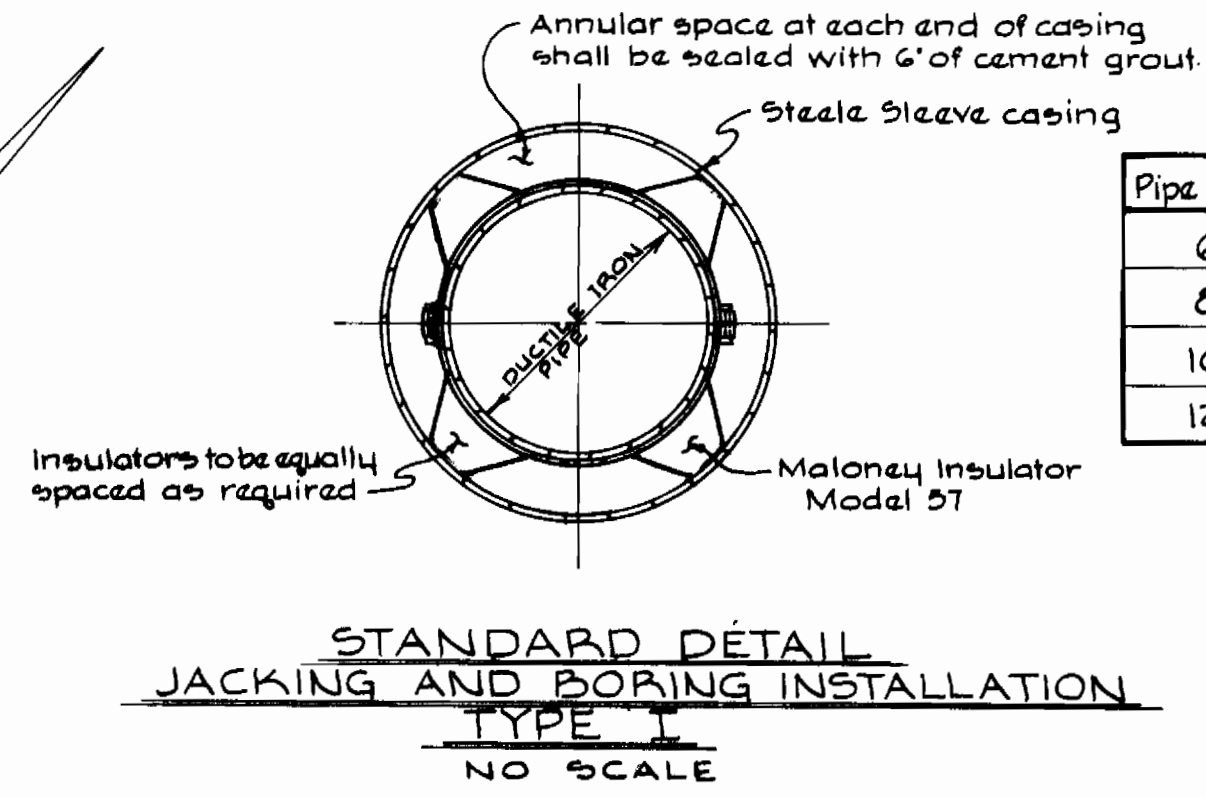
W.P. & A.B.M.Z-3 Elev. 167.70
 R.R. spike in base of Pole #2, 70'± left of Sta. 4+85
 Between P.I.'s W.B. 11 & W.B. 12, 100'± East of White Elk
 Motel @ S. Side of Balto.-Wash. Blvd.



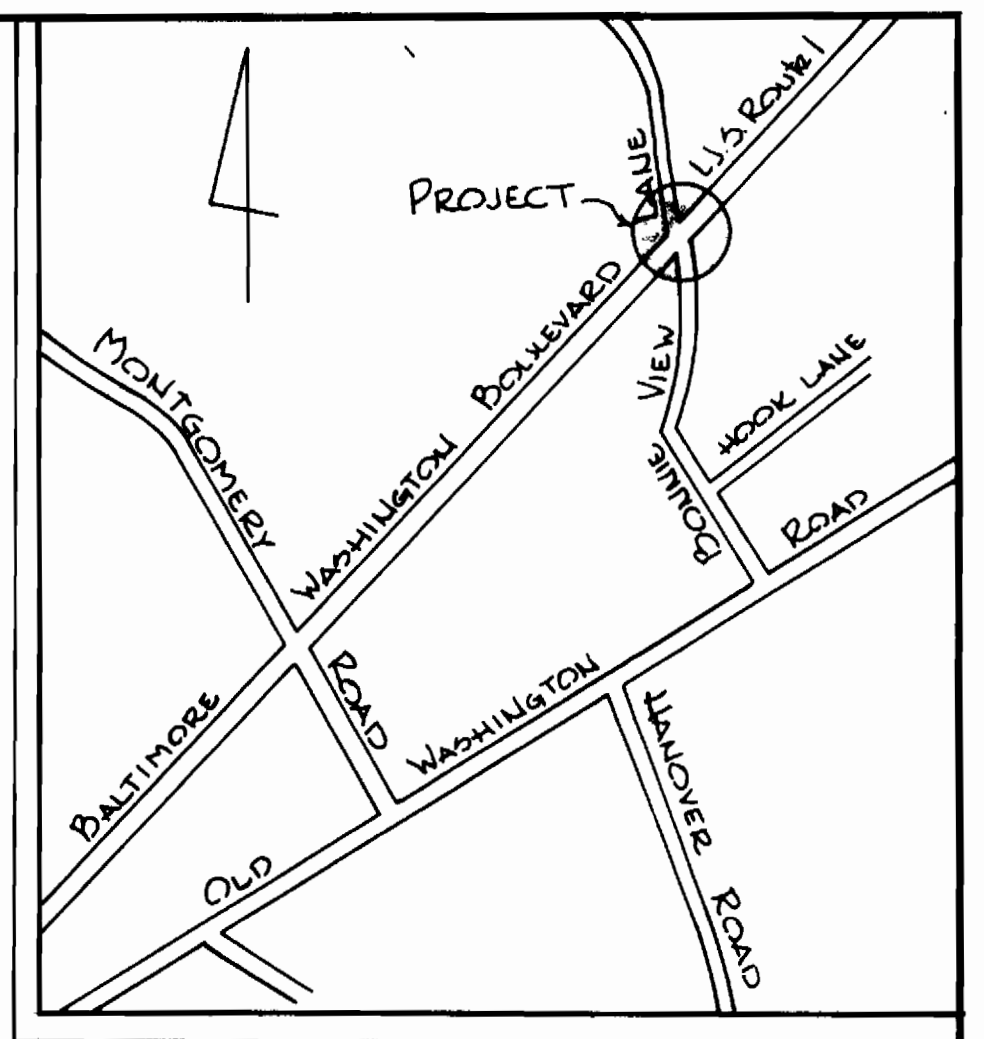
PLAN
 Scale: 1" = 50'



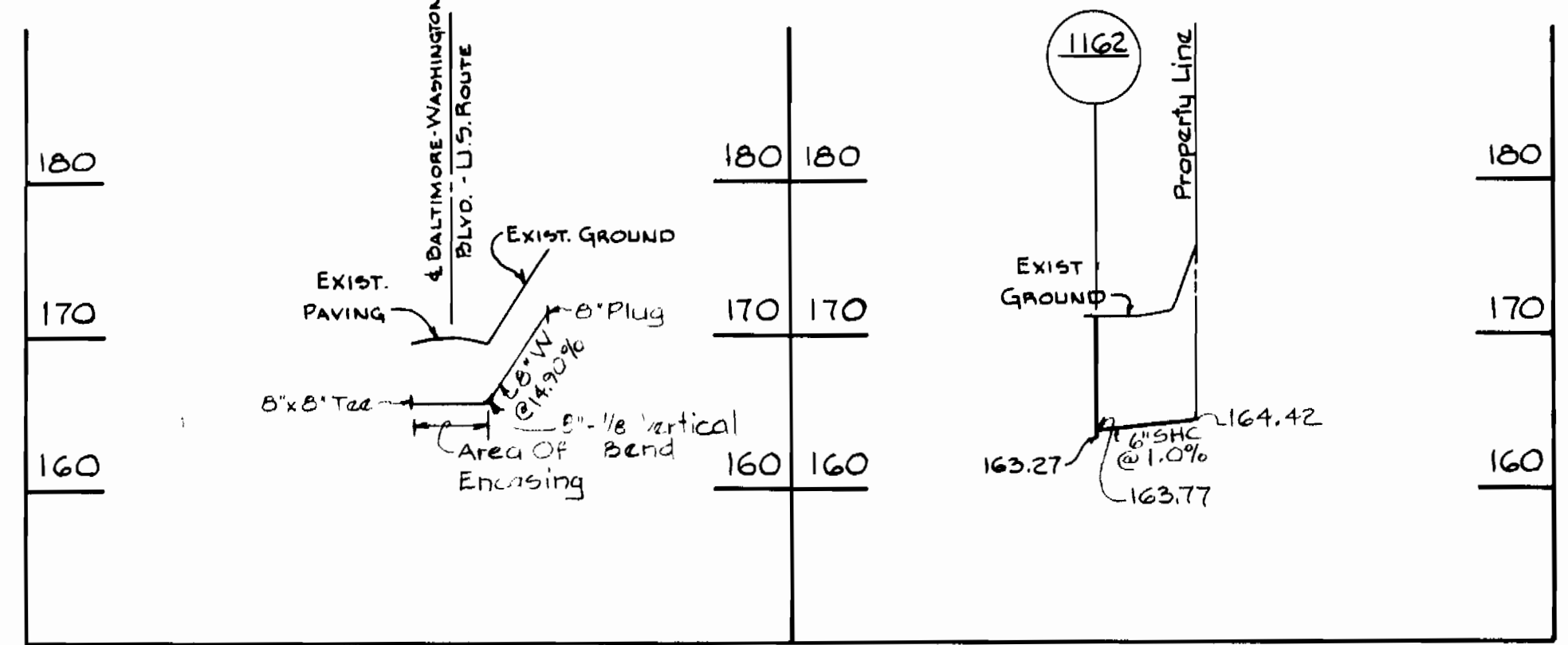
PROFILE
 Scale: Horiz. 1" = 100'
 Vert. 1" = 10'



Pipe Size	Sleeve
6"	10"
8"	12"
10"	14"
12"	16"



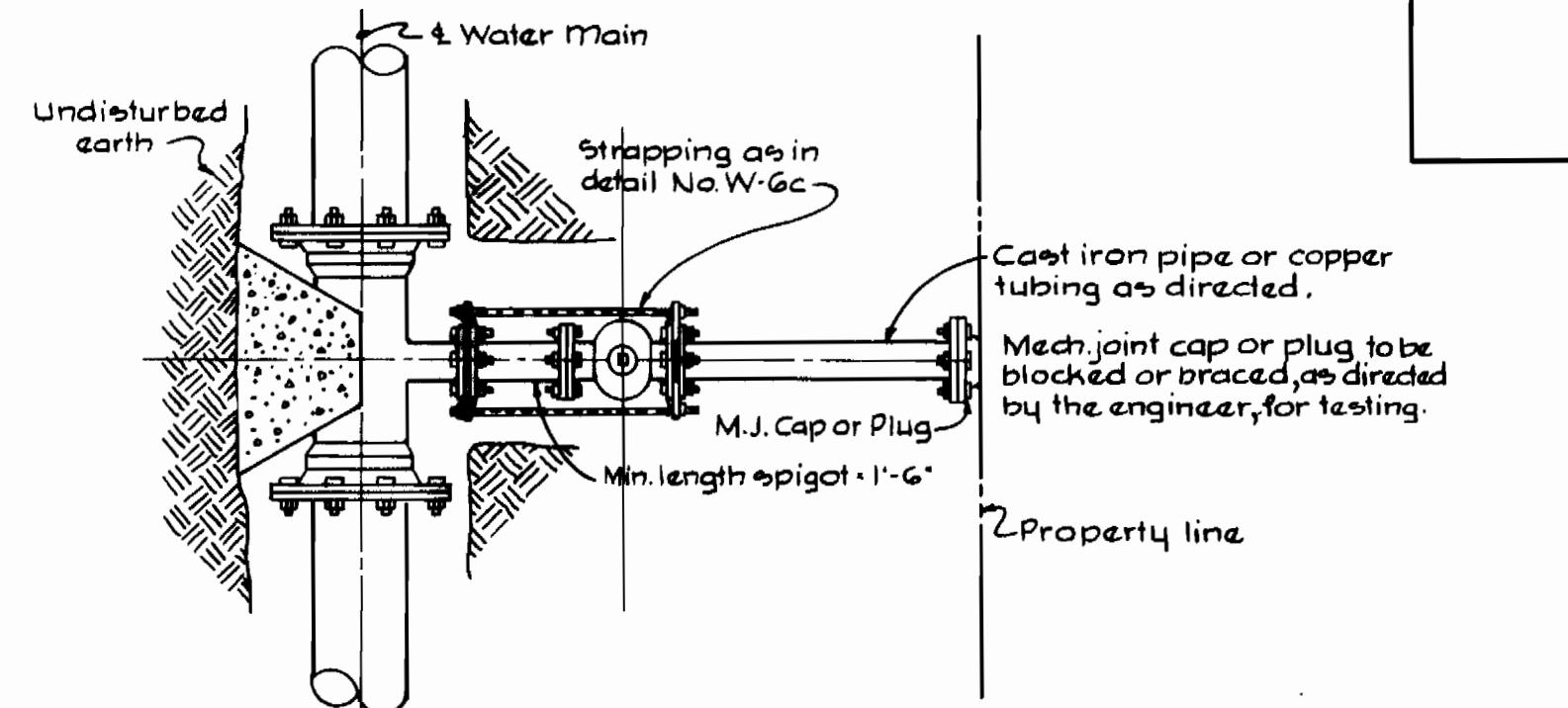
VICINITY
 Scale: 1" = 600'



PROFILES
 SCALE: HORIZ. - 1" = 100'
 VERT. - 1" = 10'

GENERAL NOTES

1. Approximate location of existing mains are shown. The Contractor shall take all necessary precautions to protect the existing mains and services and maintain uninterrupted supply. Any damage incurred shall be repaired immediately.
2. All pipe elevations shown are invert elevations.
3. The Contractor shall locate existing utilities a minimum of two weeks in advance of construction operations in vicinity of utilities.
4. For all standard details see standards bound in specifications.
5. Build all manholes to existing ground or paving unless otherwise noted.
6. Payment for strapping of existing fire hydrants shall be included in the unit price bid for excavation and backfill for sewers.
7. All sewer mains shall be V.C.P.X., C.S.P.X. or Asbestos Cement Class 2400 unless otherwise noted.



STANDARD WATER DETAIL No. W-51
 NO SCALE

QUANTITIES			
ITEM	QUANTITY	ITEM	QUANTITY
8" WATER MAIN	240' L.F.	BORE / JACKING UNDER U.S. RT. 1	50' L.F.
2" W.H.C.	9' L.F.		
8" x 8" TEE	1		
8" x 6" TEE	1		
8" x 8" C	1		
8" V W/ROADWAY BOX	2		
6" V W/ROADWAY BOX	1		
FIRE HYDRANT	1		
8" PLUGS	4		
6" SHC	65' L.F.		

BUREAU OF ENGINEERING
 INSPECTION AND SURVEY DIVISION

DEPARTMENT OF PUBLIC WORKS
 HOWARD COUNTY, MARYLAND
 W. O. ...
 DIRECTOR OF PUBLIC WORKS DATE

CONTRACT NO. 669-MO-W

PLAN, PROFILES AND DETAILS
 FOR WATER & SEWER
 HOUSE CONNECTIONS

ELECTION DISTRICT
 ELKRIDGE NUMBER 1

DRAWING NO. 1 OF 1
 SCALE AS SHOWN