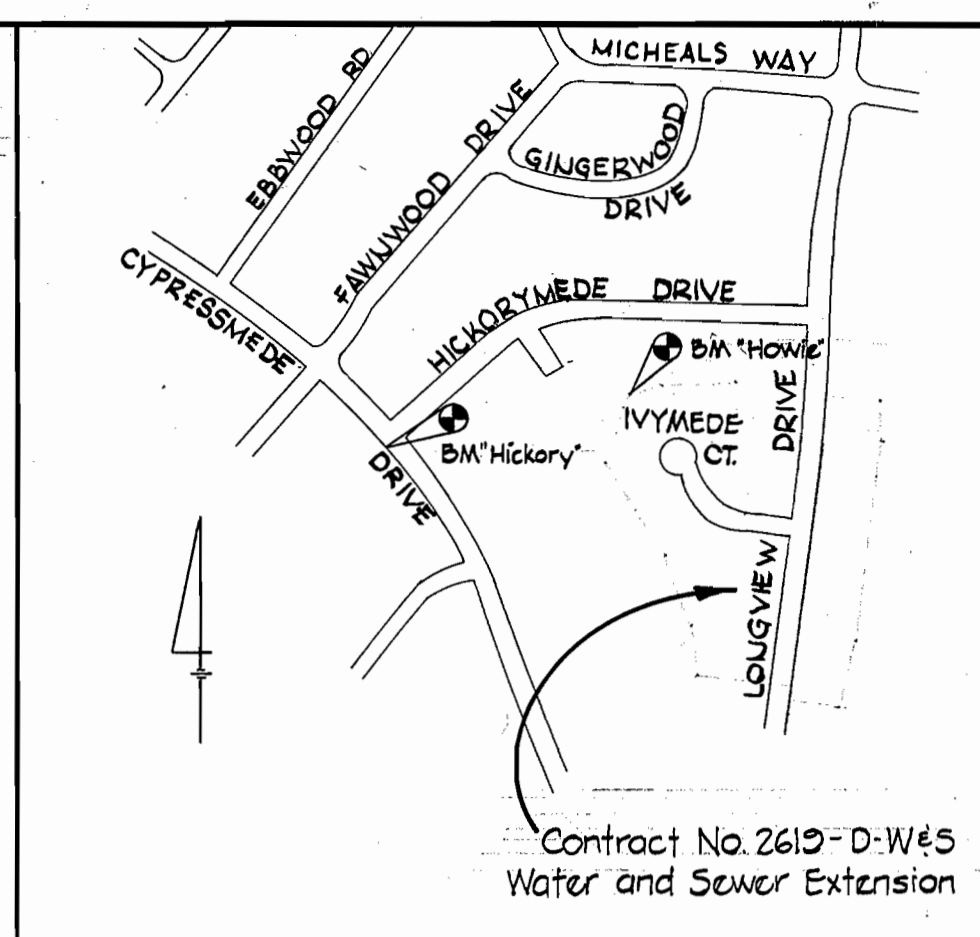
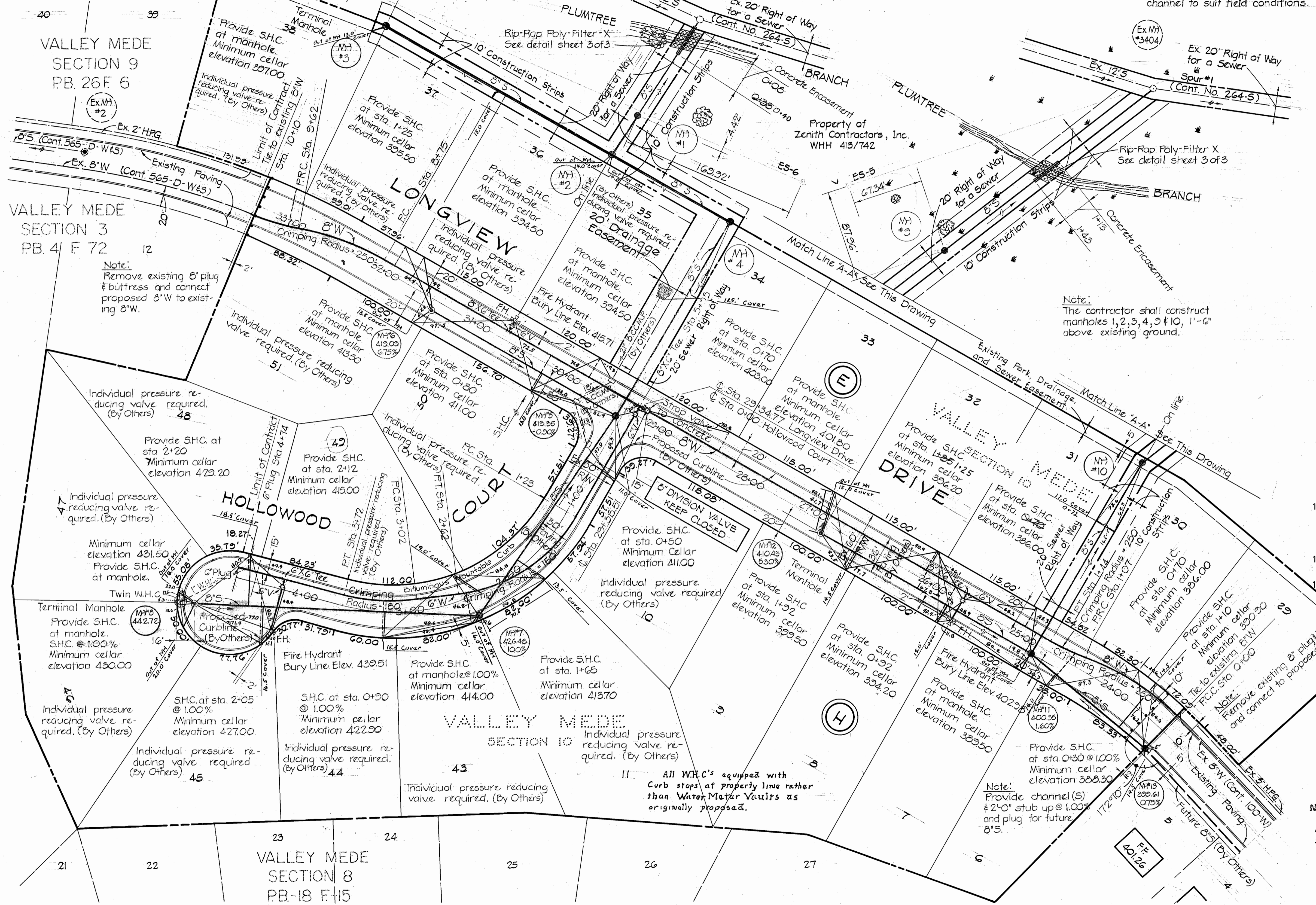


BENCH MARKS
 BM "HICKORY" ELEV. 439.02
 ROAD SIDE FIRE HYDRANT BONNETT
 BOLT HICKORYMEDE DR. ACROSS
 FROM LOTS 35 & 36 (VALLEY MEDE,
 SECTION 6)
 BM "HOWIE" ELEV. 446.18
 3 NAILS IN G & E 462628 REAR
 LOT 20 HICKORYMEDE DRIVE (VALLEY
 MEDE, SECTION 8)



Vicinity Map
1" = 600'

GENERAL NOTES

1. Approximate locations of existing utilities are shown. The contractor shall take all necessary precautions to protect the existing utilities and to maintain uninterrupted service. Any damage incurred due to contractor's operations shall be repaired immediately at the contractor's expense.
2. All pipe elevations shown are invert elevations.
3. The contractor shall locate existing utilities well in advance of construction operation in the vicinity of utilities.
4. See standard details bound in specifications.
5. Buttrass or anchor all water main fittings with concrete.
6. Clear all utilities by a minimum of 6 inches, clear all utility poles by 2'-0" minimum or tunnel as required. Any costs incurred to the contractor for tunneling or bracing poles shall be included in unit prices bid for excavation.
7. The contractor shall provide a pipe joint in all sewer mains within 2'-0" of exterior manholes walls.
8. All manholes shall be 4'-0" inside diameter.
9. All water mains to have a minimum of 3.5' cover unless otherwise noted.
10. All fire hydrants shall be strapped to the tee and shall be buttrass with concrete in accordance with standard details. Cost of strapping fire hydrants and valves to be included in the unit price bid for furnishing and installing fire hydrants.
11. Bury line elevations on fire hydrants shall be set to the elevations shown on the Plan.
12. All horizontal and vertical controls are based on the Maryland State Grid System.

QUANTITIES	
8" Sewer	2374 L.F.
8" Water	1010 L.F.
6" Water	567 L.F.
Fire Hydrants	3 EA
Manholes	165 V.F.

VALLEY MEDE SECTION 10
 PB-10 F-17

Note:
 All Water Mains are asbestos-concrete pressure pipe.

Benjamin Hoffman

CONTRACT NO. 2619-D-W & S
 VALLEY MEDE - SECTION 10
 WATER AND SEWER EXTENSIONS

PURDUM & JESCHKE
 ENGINEERS
 1023 N. CALVERT ST.
 BALTIMORE, MARYLAND

DEPARTMENT OF PUBLIC WORKS
 HOWARD COUNTY, MARYLAND
 9-11-74 DATE
W. O. Fulbert
 CHIEF-BUREAU OF ENGINEERING

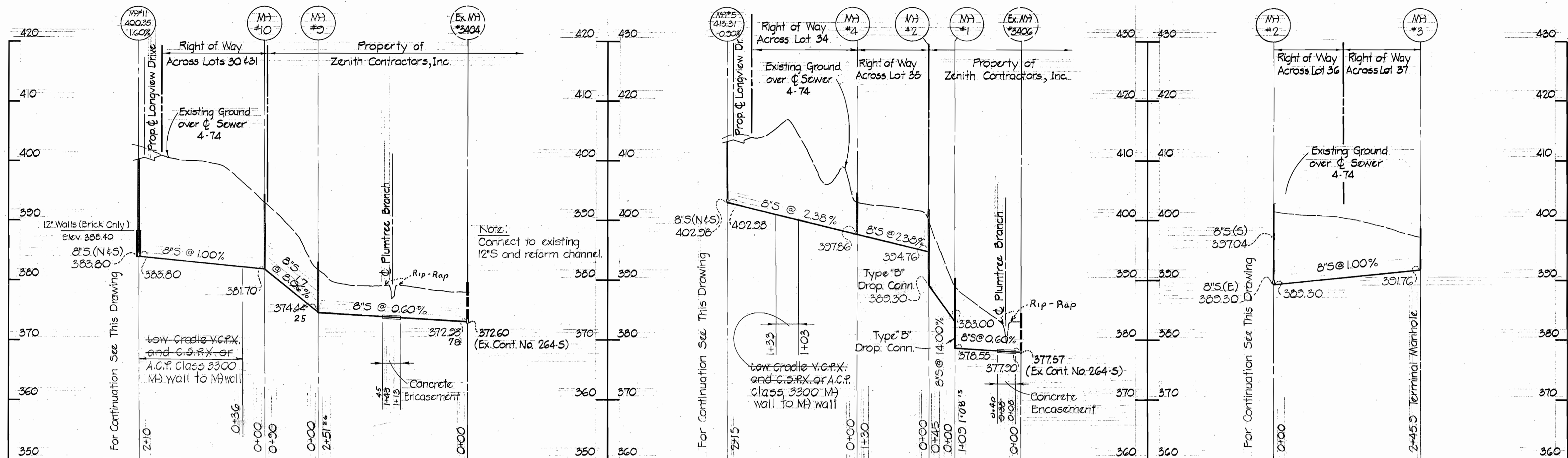
CONTRACT NO. 2619-D-W & S

PLAN
 WATER AND SEWER MAINS

VALLEY MEDE SECTION 10
 SECOND ELECTION DISTRICT
 HOWARD COUNTY, MARYLAND

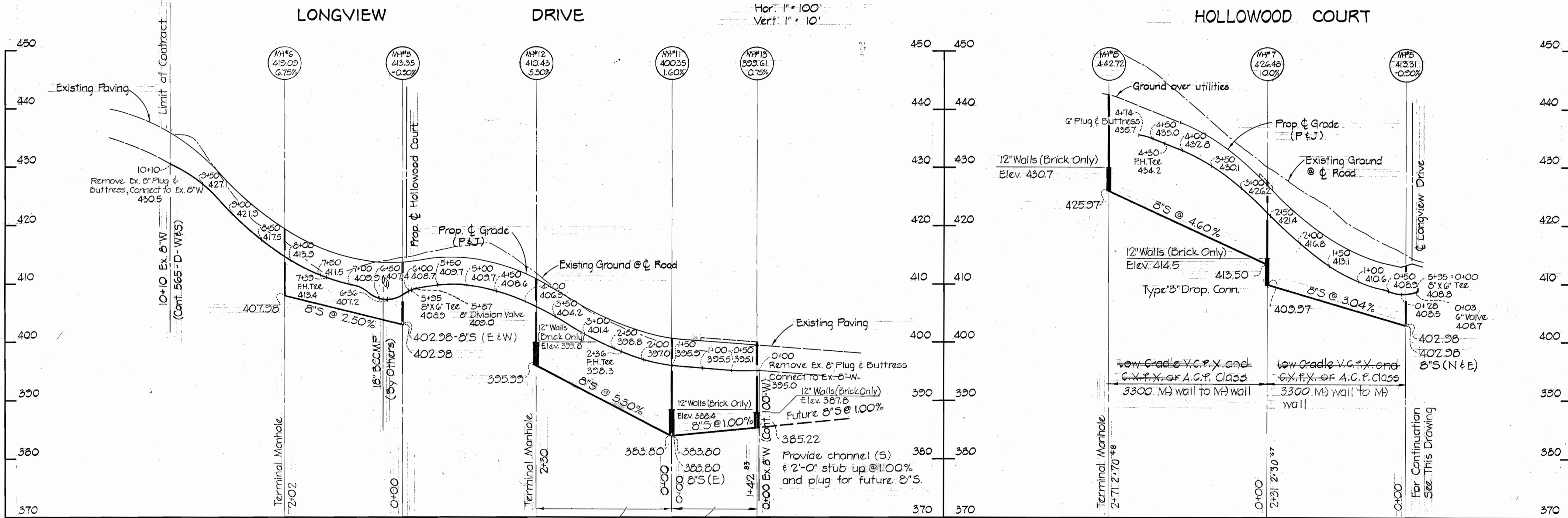
DRAWING NO. 1 OF 3
 SCALE 1" = 50'
 DESIGNED: AEL
 DRAFTED: AEL
 CHECKED: TAF

WS 619 W&S/1



PROFILE

Hor: 1" = 100'
Vert: 1" = 10'



PROFILE

Hor: 1" = 100'
Vert: 1" = 10'

CONTRACT NO: 2619-D-W & S
VALLEY MEDE - SECTION 10
WATER AND SEWER EXTENSIONS

PURDUM & JESCHKE
ENGINEERS
1023 N. CALVERT ST.
BALTIMORE, MARYLAND

DEPARTMENT OF PUBLIC WORKS
HOWARD COUNTY, MARYLAND
9-11-74
DATE

CONTRACT NO: 2619-D-W & S

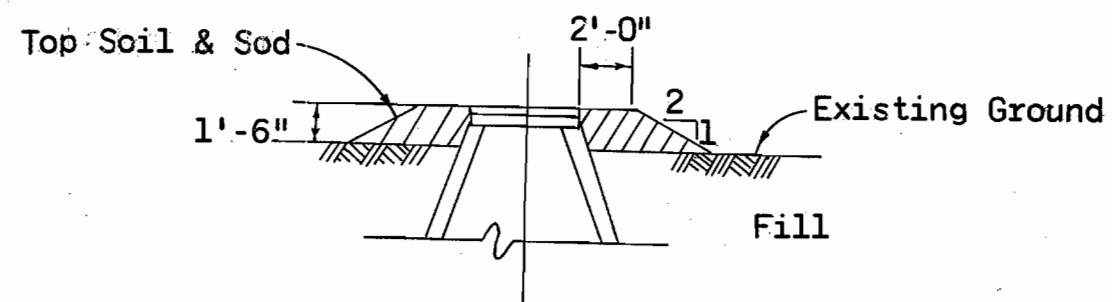
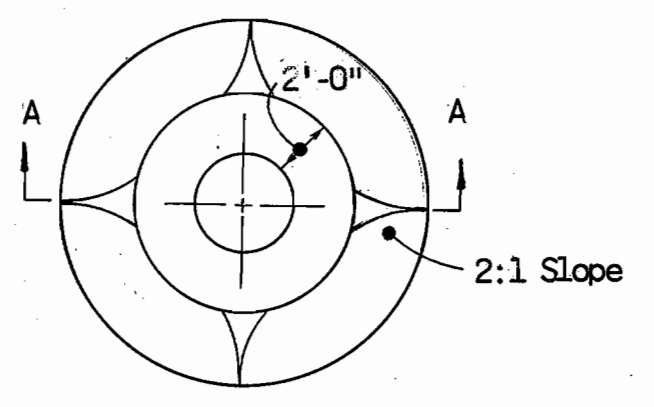
PROFILE
WATER AND SEWER MAINS

VALLEY MEDE SECTION 10
SECOND ELECTION DISTRICT
HOWARD COUNTY, MARYLAND

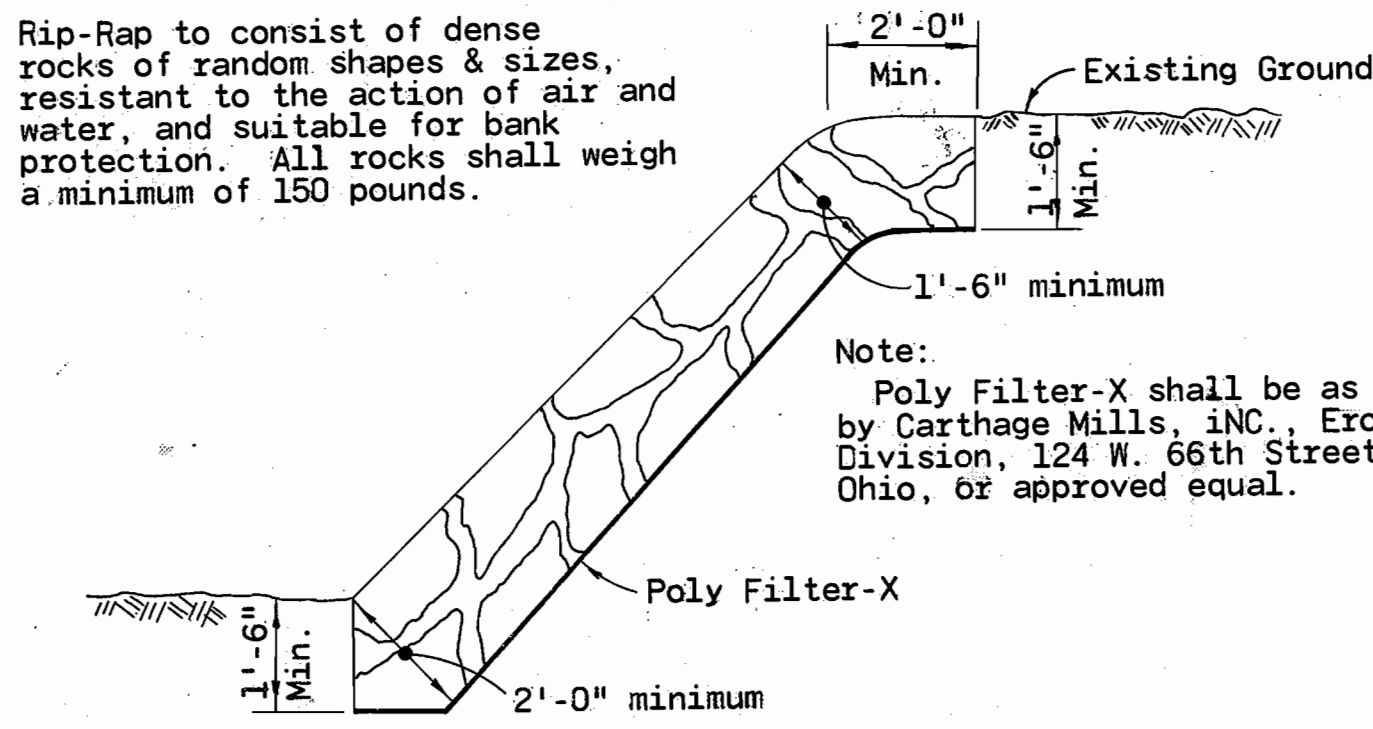
DRAWING
NO. 2
OF 3

SCALE
HOB: 1" = 100'
VERT: 1" = 10'
DESIGNED: AEL
DRAFTED: AEL
CHECKED: TAF

WS 619 W&S/2



SECTION A-A
FILL AT MANHOLE
No Scale

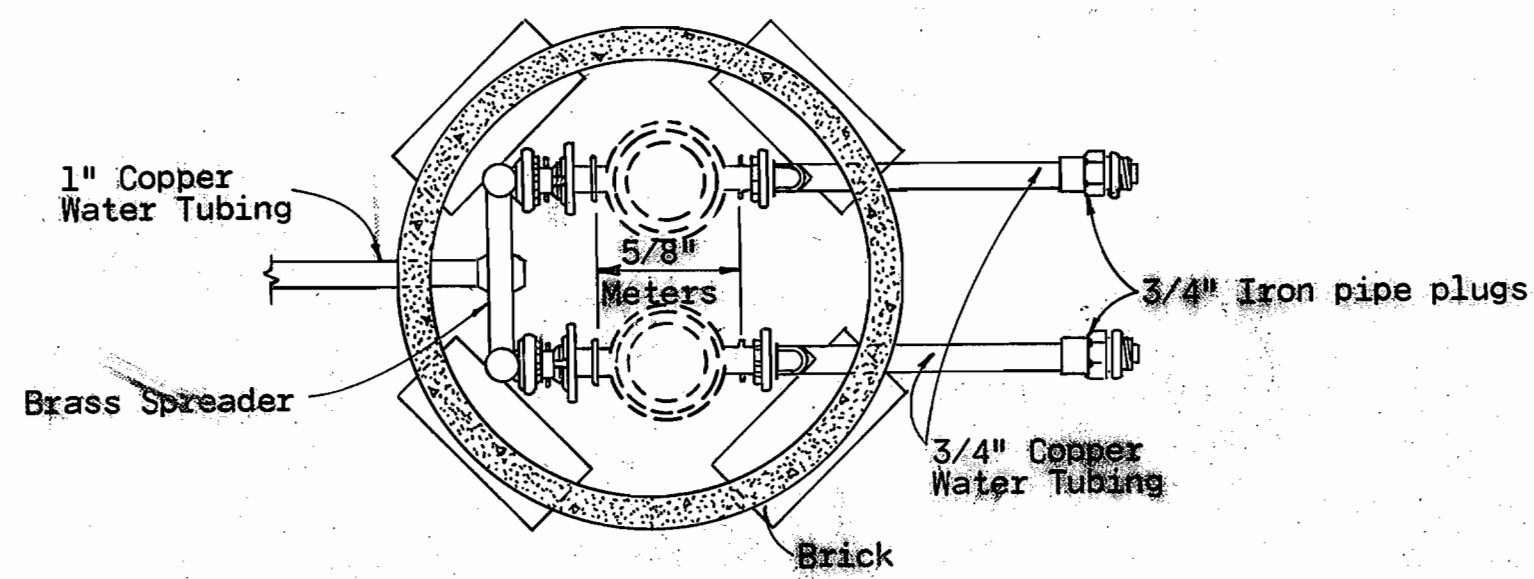


Rip-Rap to consist of dense rocks of random shapes & sizes, resistant to the action of air and water, and suitable for bank protection. All rocks shall weigh a minimum of 150 pounds.

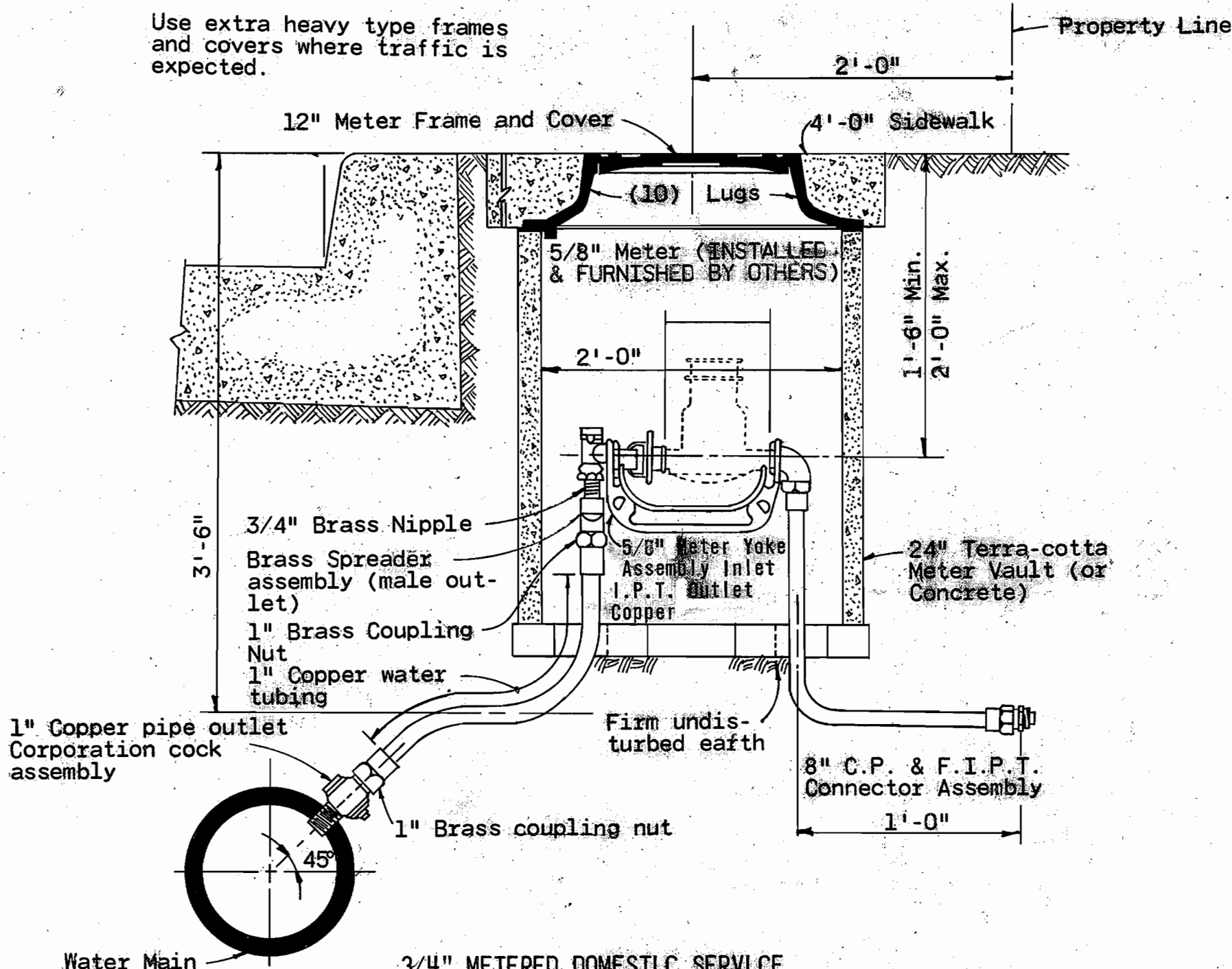
Note:
Poly Filter-X shall be as manufactured by Carthage Mills, INC., Erosion Control Division, 124 W. 66th Street, Cincinnati, Ohio, or approved equal.

Maintain 1'-0" minimum clearance between Rip-Rap and top of pipe.

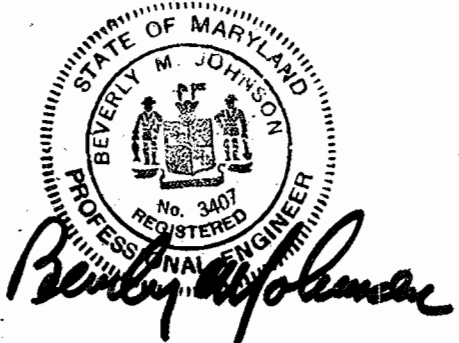
RIP - RAP DETAIL
Scale: 3/8" = 1'-0"



Use extra heavy type frames and covers where traffic is expected.



3/4" METERED DOMESTIC SERVICE
TWIN WATER HOUSE CONNECTION
NO SCALE



CONTRACT NO. 2619-D-W & S
VALLEY MEDE - SECTION 10
WATER AND SEWER EXTENSIONS

PURDUM & JESCHKE
ENGINEERS
1023 N. CALVERT ST.
BALTIMORE, MARYLAND

DEPARTMENT OF PUBLIC WORKS
HOWARD COUNTY, MARYLAND
9-11-74 DATE
Edward Calvert CHIEF-BUREAU OF ENGINEERING

CONTRACT NO. 2619-D-W & S

DETAILS

VALLEY MEDE SECTION 10
SECOND ELECTION DISTRICT
HOWARD COUNTY, MARYLAND

DRAWING NO. 3 OF 3	SCALE AS SHOWN	DESIGNED:
		DRAFTED: AHC
		CHECKED: TAF

WS 619 W&S/3