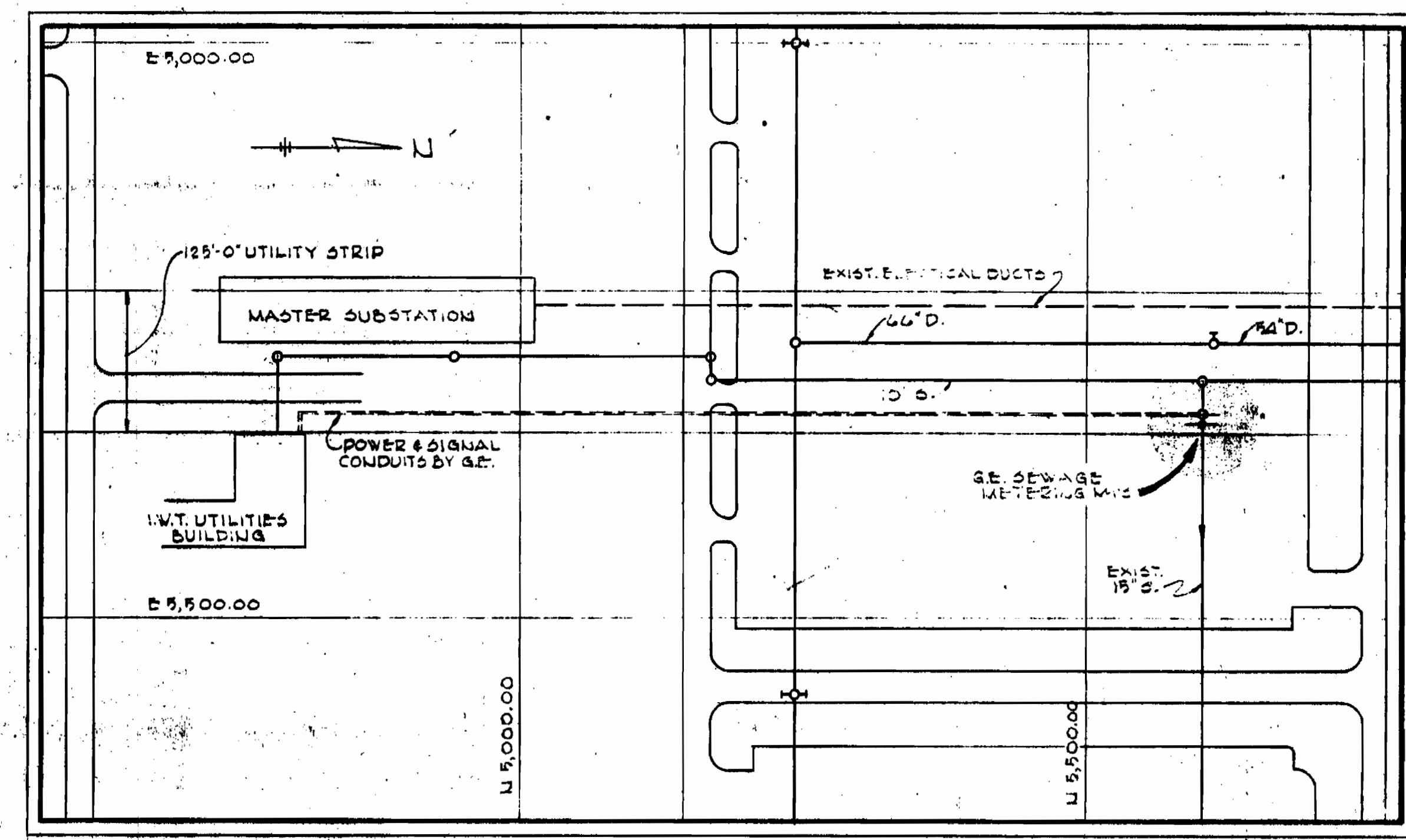
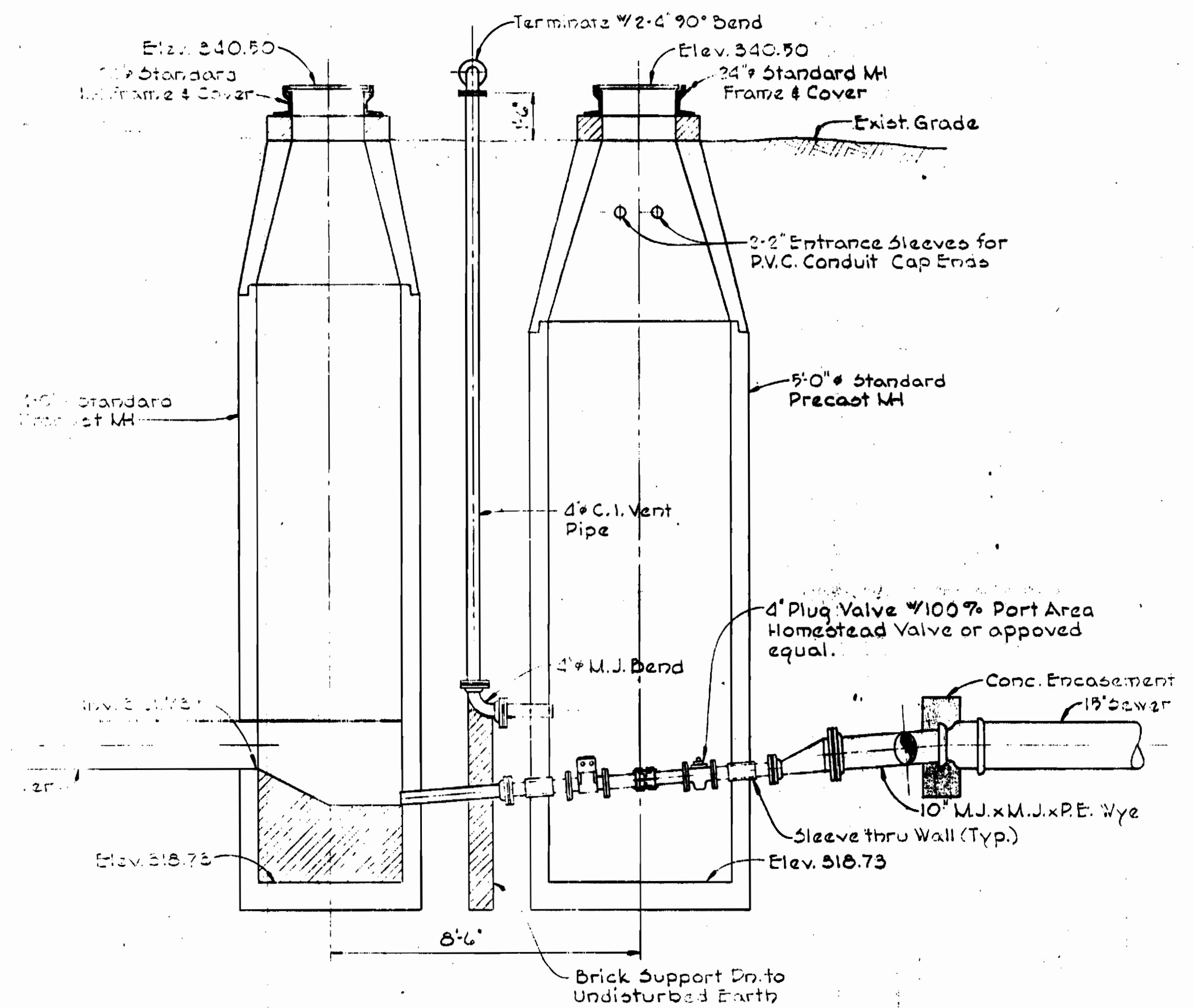


PLAN - MAGNETIC SEWAGE METER MH
Scale: 3/8"=1'-0"

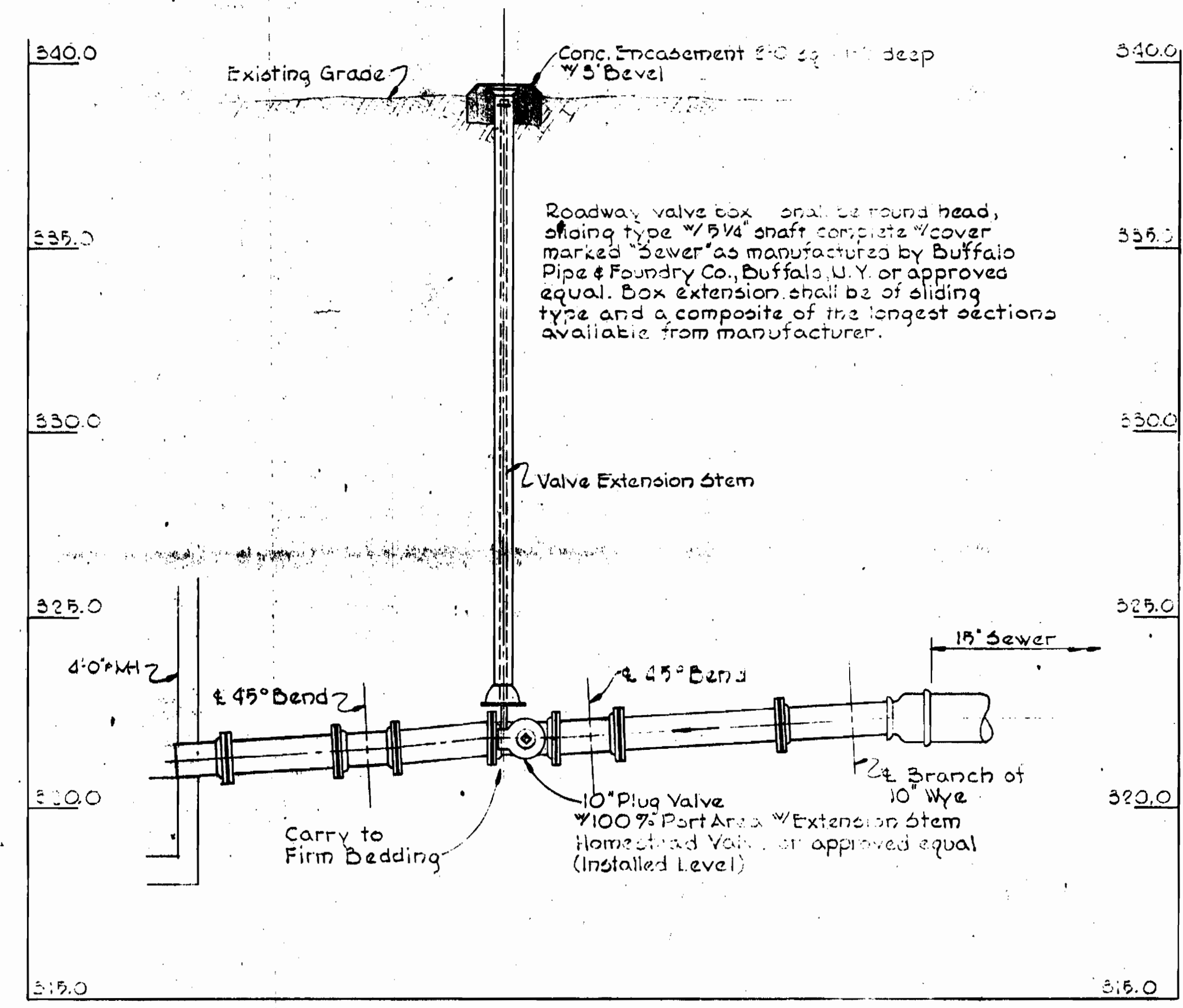
Note: Const. to furnish and install 4" Magnetic Flow Meter Transmitter in vault, signal cable to L.W.T. Utilities Building and receiving instrumentation in L.W.T. Utilities Building. All other work by General Electric Co.



LOCATION PLAN
Scale: 1"=100'



SECTION A-A
Scale: 3/8"=1'-0"



PROFILE - 10" BY-PASS
Scale: 3/8"=1'-0"

WHITMAN, REQUARDT & ASSOCIATES
ENGINEERS
1304 ST. PAUL ST.
BALTIMORE, MARYLAND

DEPARTMENT OF PUBLIC WORKS
HOWARD COUNTY, MARYLAND
10-29-70
DATE
W. O. Pickett
CHIEF - BUREAU OF WATER AND SEWER

CONTRACT NO. 395-S

GENERAL ELECTRIC
SEWAGE METERING FACILITY

ELECTION DISTRICT
GUILFORD NO. 6

DRAWING NO.
OF
SCALE AS SHOWN