

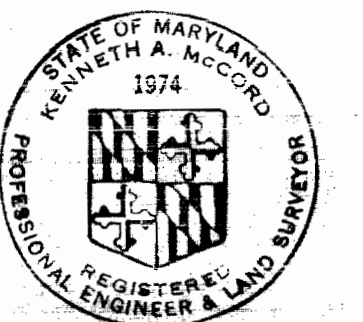
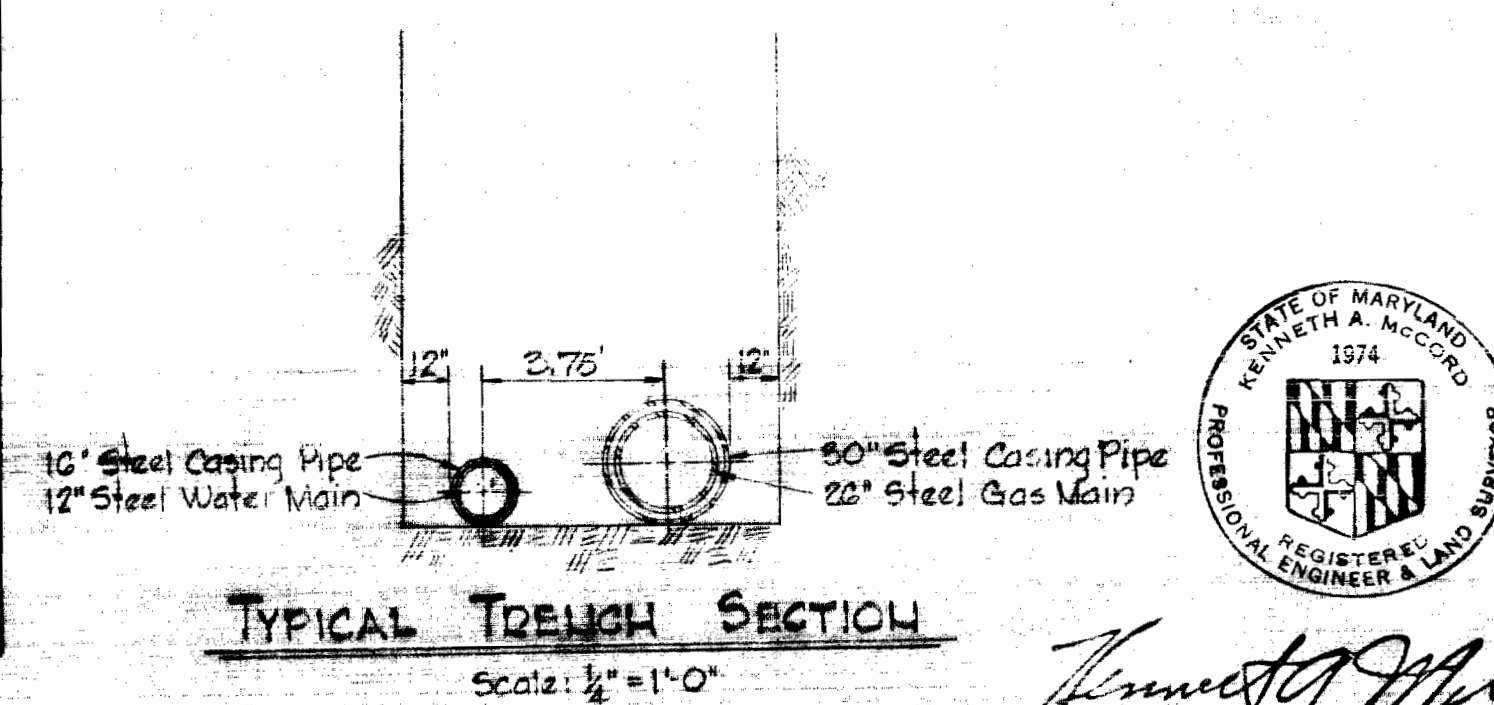
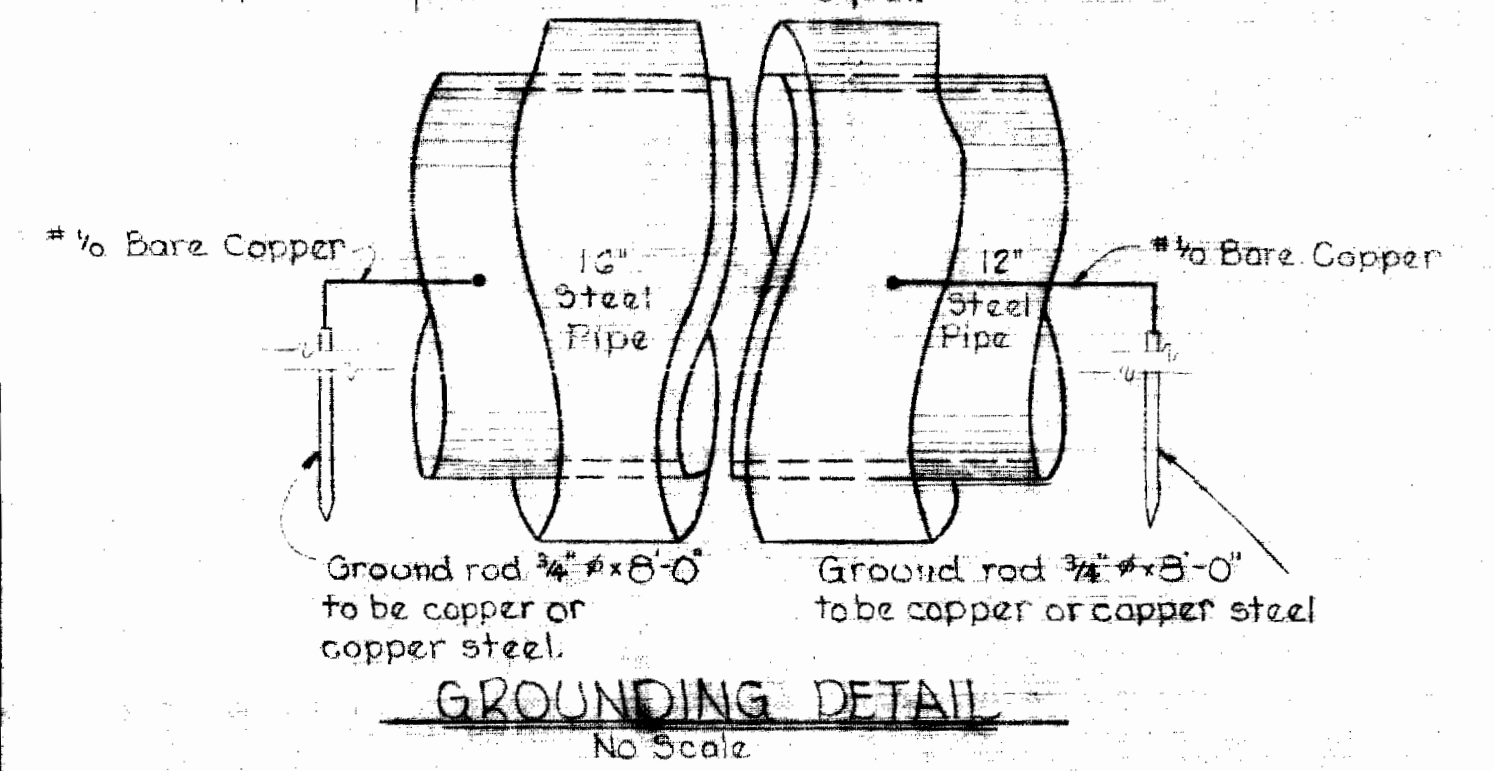
VICINITY MAP
Scale: 1"=1 Mile

GENERAL NOTES

1. Approximate location of existing mains are shown. The Contractor shall take all necessary precautions to protect existing mains and services and maintain uninterrupted supply. Any damage incurred shall be repaired immediately.
2. All pipe elevations shown are invert elevations.
3. The Contractor shall locate existing utilities a minimum of two weeks in advance of construction operations in vicinity of utilities.
4. For all standard details see standards bound in Specifications.
5. Profile stations may have to be adjusted to conform to plan dimensions.
6. Block all fittings with concrete, see standards bound in Specifications.
7. Clear all utilities by a minimum of 6', clear all poles by 2'-0" minimum or tunnel as required.
8. All horizontal and vertical controls are based on Maryland State Datum.
9. Cost for Erosion Checks and Concrete Anchors to be included in the price bid for furnishing and laying water mains.

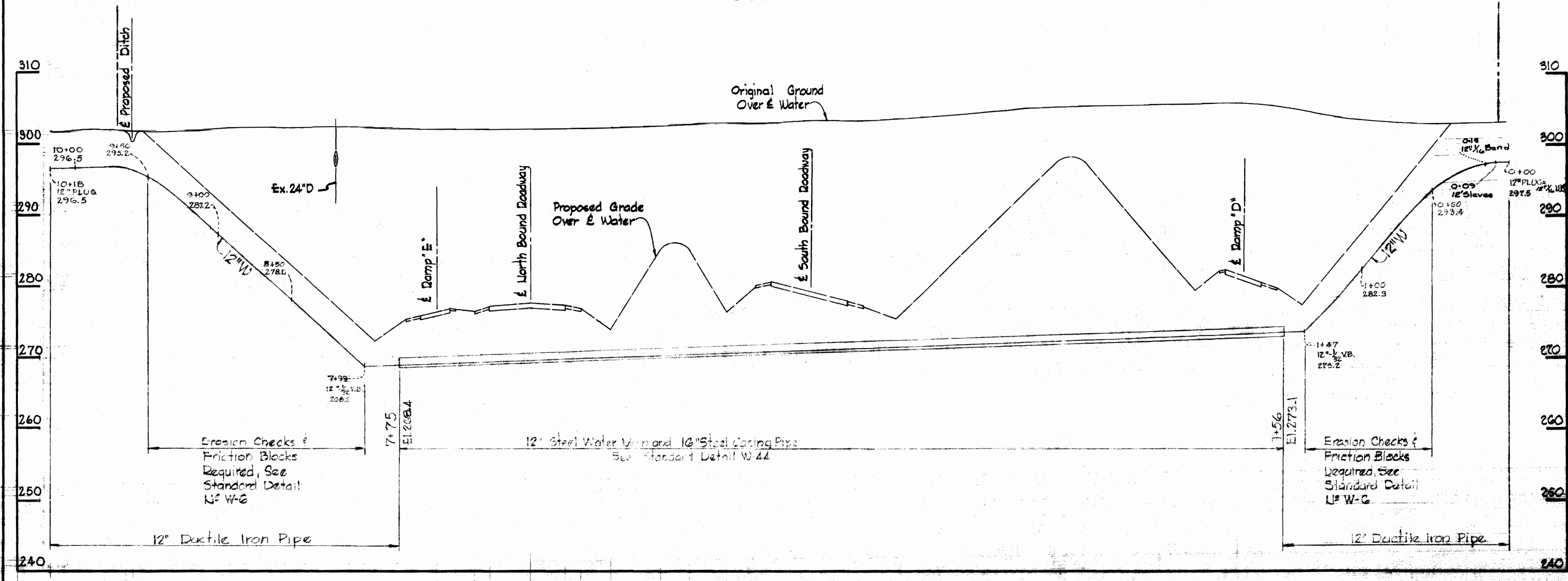
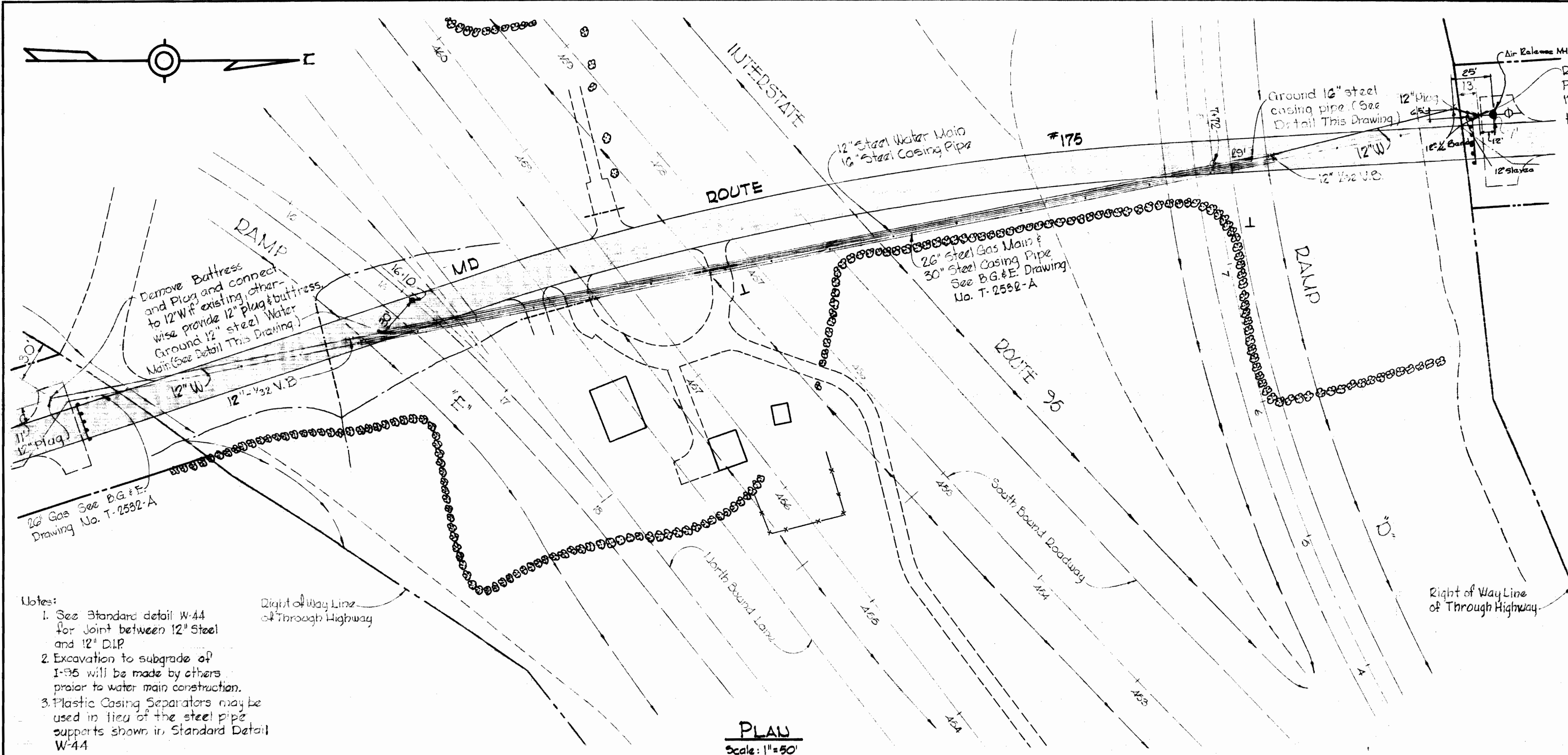
Weld #10 wire to steel water main and ground rod. All welds shall be "Coldwell Process" Enrico Products, Inc. or approved equal.

Weld #10 wire to steel casing pipe and ground rod. All welds shall be "Coldwell Process" Enrico Products, Inc. or approved equal.



Kenneth A. McCord

1-95 Crossing at Maryland Route-175
Contract No. 328-W



WHITMAN, REQUARDT & ASSOCIATES ENGINEERS 1304 ST. PAUL ST. BALTIMORE, MARYLAND	HOWARD COUNTY METROPOLITAN COMMISSION 4-1-69 <i>W O Lambert</i> DATE CHIEF ENGINEER	CONTRACT NO. 328-W	PLAN AND PROFILE OF WATER MAINS	ELECTION GUILFORD	DISTRICT No. 6	DRAWING NO. 1 OF 1	SCALE AS SHOWN
---	--	--------------------	------------------------------------	----------------------	-------------------	--------------------------	----------------------

W. O. 5541

AS BUILT JANUARY 15, 1971

WS 328-W/1

suspense

suspense