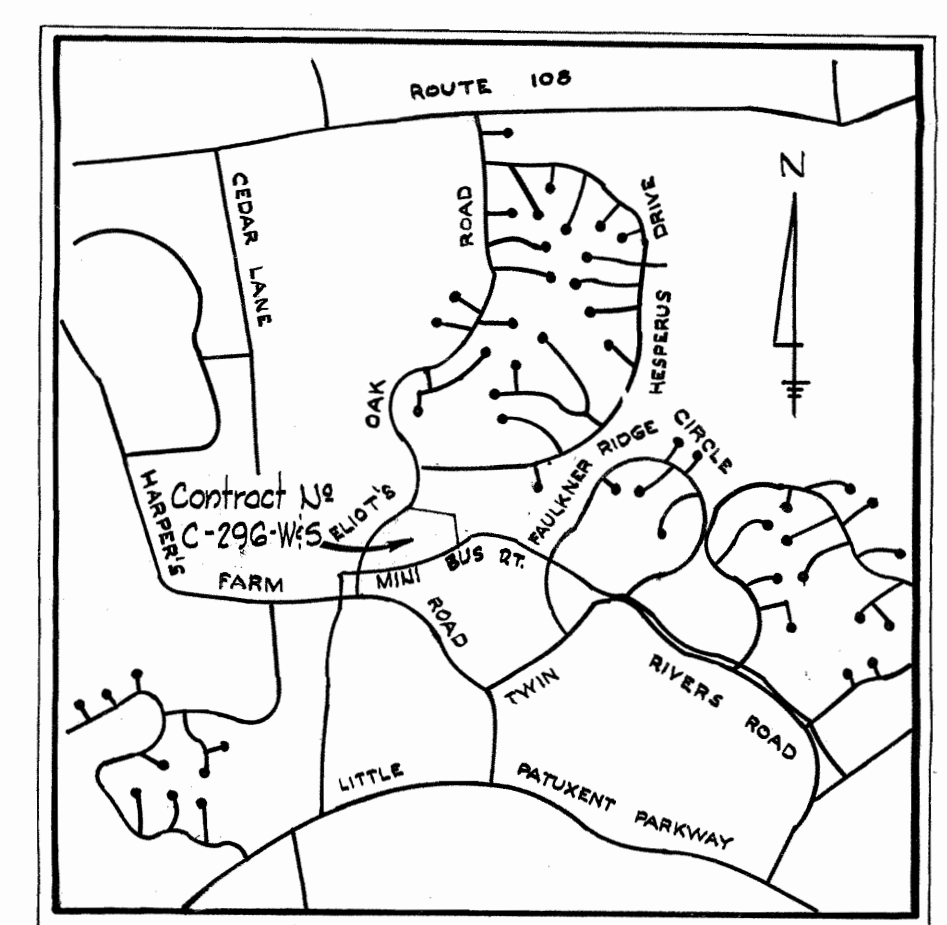


W.R. & A. B.M. "E-1" Elev. 429.83
 R.R. spike in root of 30' Walnut
 50' right of P.L. "E-1"



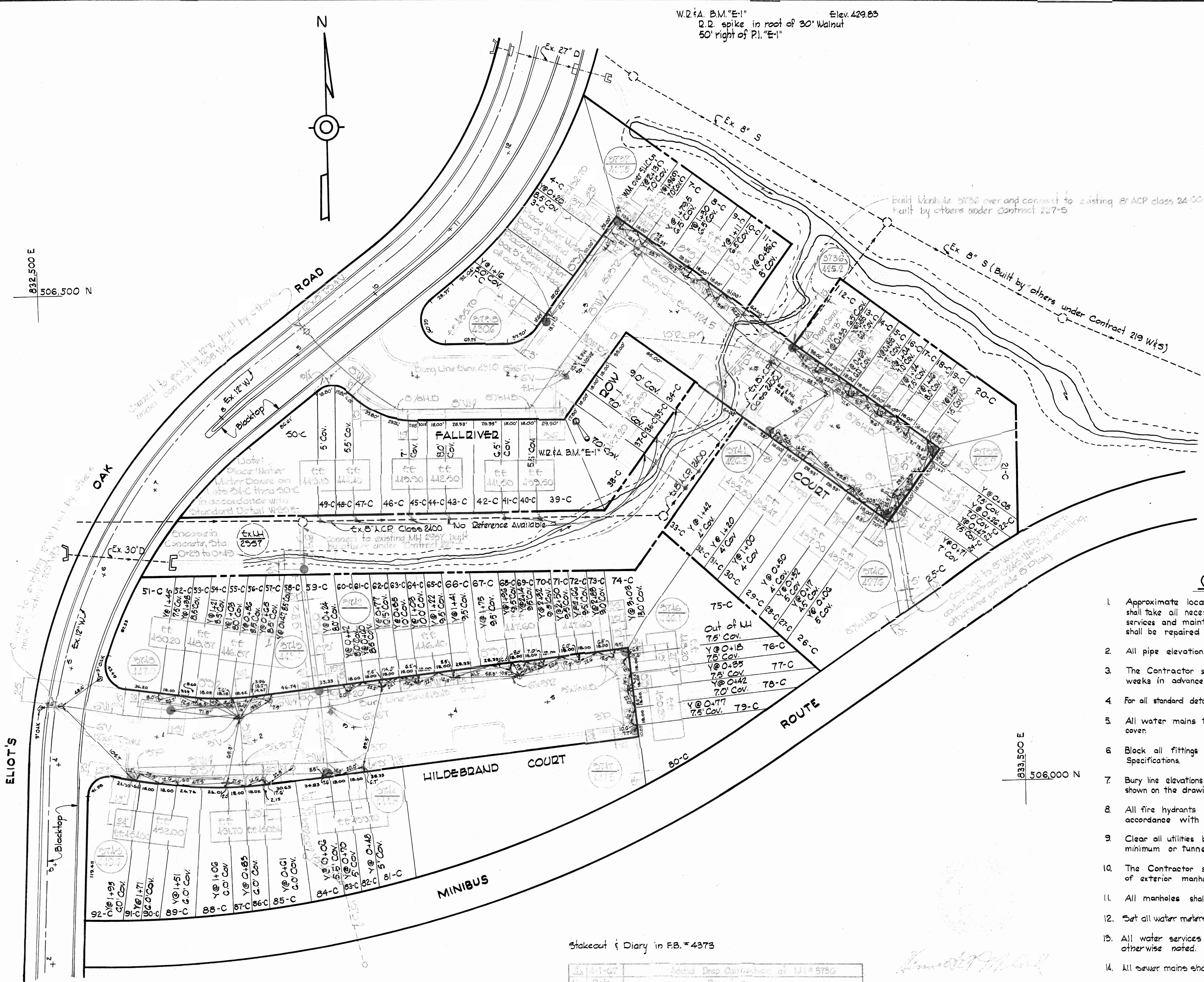
VICINITY MAP
 Scale: 1" = 2000

MATERIALS TO BE FURNISHED BY HOWARD COUNTY	
ITEM	QUANTITY
12" D.T.S.#V	1
12" V.T.S.#V	1
8" V	1
6" V	2
3" V	3
P.H.	3

QUANTITIES	
8" Sewer	1750'
8" Water	950'
6" Water	500'
3" Water	100'

GENERAL NOTES

- Approximate location of existing mains are shown. The Contractor shall take all necessary precautions to protect existing mains and services and maintain uninterrupted supply. Any damage incurred shall be repaired immediately.
- All pipe elevations shown are invert elevations.
- The Contractor shall locate existing utilities a minimum of two weeks in advance of construction operations in vicinity of utilities.
- For all standard details see standards bound in Specifications.
- All water mains to be C.I.P. or D.I.P. and have a minimum of 3 1/2' cover.
- Block all fittings with concrete, see standard details bound in Specifications.
- Bury line elevations on fire hydrants shall be set to the elevations shown on the drawings.
- All fire hydrants shall be strapped to trees and buttressed in accordance with Standard Details W-4, W-5, W-6 and W-GA.
- Clear all utilities by a minimum of 6", clear all poles by 2'-0" minimum or tunnel as required.
- The Contractor shall provide a joint in all sewer mains within 2'-0" of exterior manhole walls.
- All manholes shall be 4'-0" inside diameter.
- Set all water meters 2" behind face of curb unless otherwise noted.
- All water services to meter boxes to be 1" diameter copper unless otherwise noted.
- All sewer mains shall be CSRX, VCRX, or A.C.P. Class 2100.



832,500 E
 506,500 N

833,750 E
 506,250 N

833,500 E
 506,000 N

Stakeout & Diary in F.B. #4373

1-1-67
 Date
 Revised

WHITMAN, REQUARDT & ASSOCIATES
 ENGINEERS
 1304 ST. PAUL ST.
 BALTIMORE, MARYLAND

HOWARD COUNTY METROPOLITAN COMMISSION
 3-12-69
 DATE
 W. O. GORRIS
 CHIEF ENGINEER

CONTRACT NO. C-296 W8S

PLAN OF
 WATER & SEWER MAINS

COLUMBIA
 VILLAGE OF HARPER'S CHOICE
 ELECTION DISTRICT CLARKSVILLE No.5

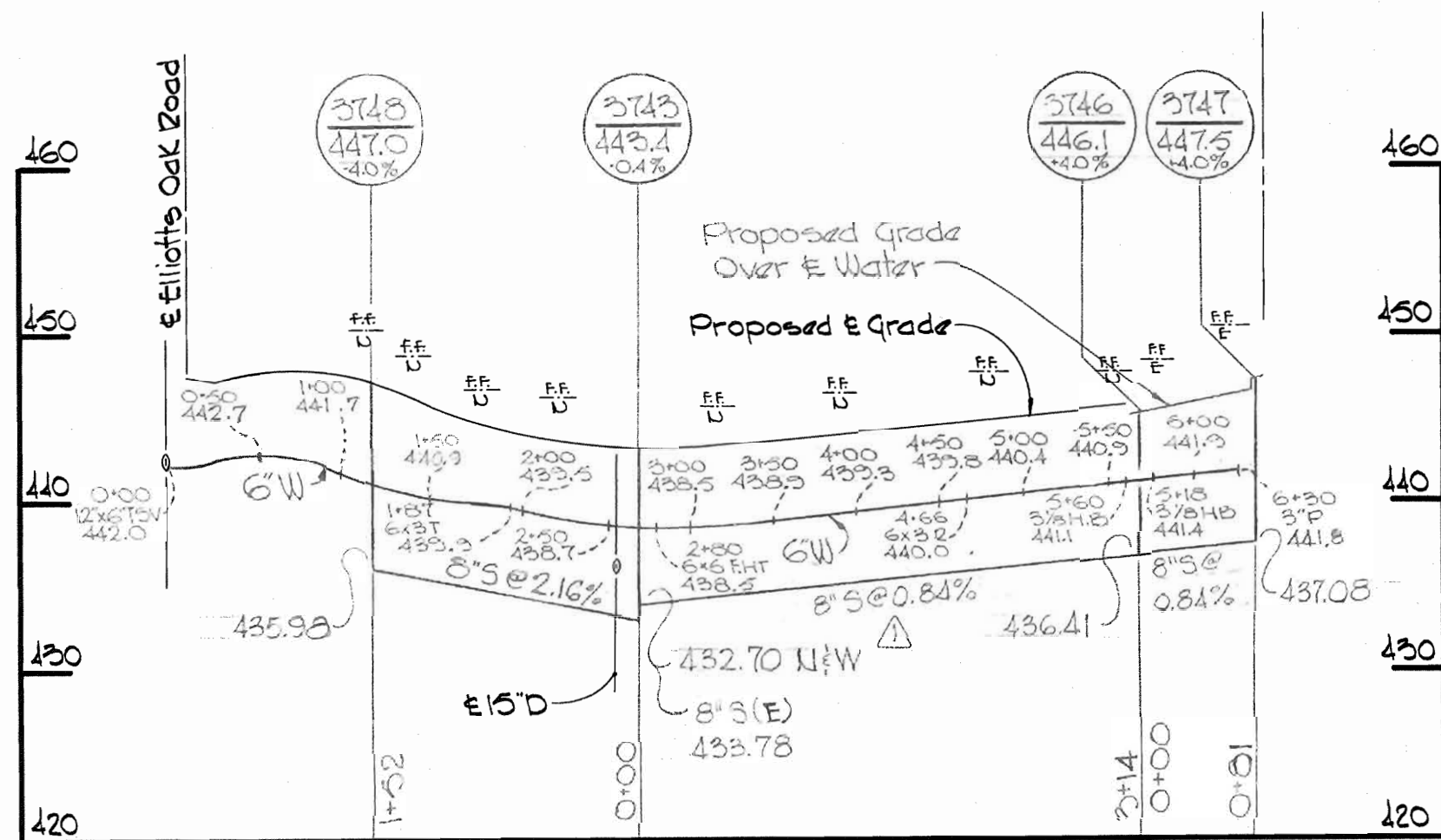
DRAWING NO. 1 OF 2
 SCALE AS SHOWN
 506,477
 506,476
 505,477
 505,476

W. O. 6023-2

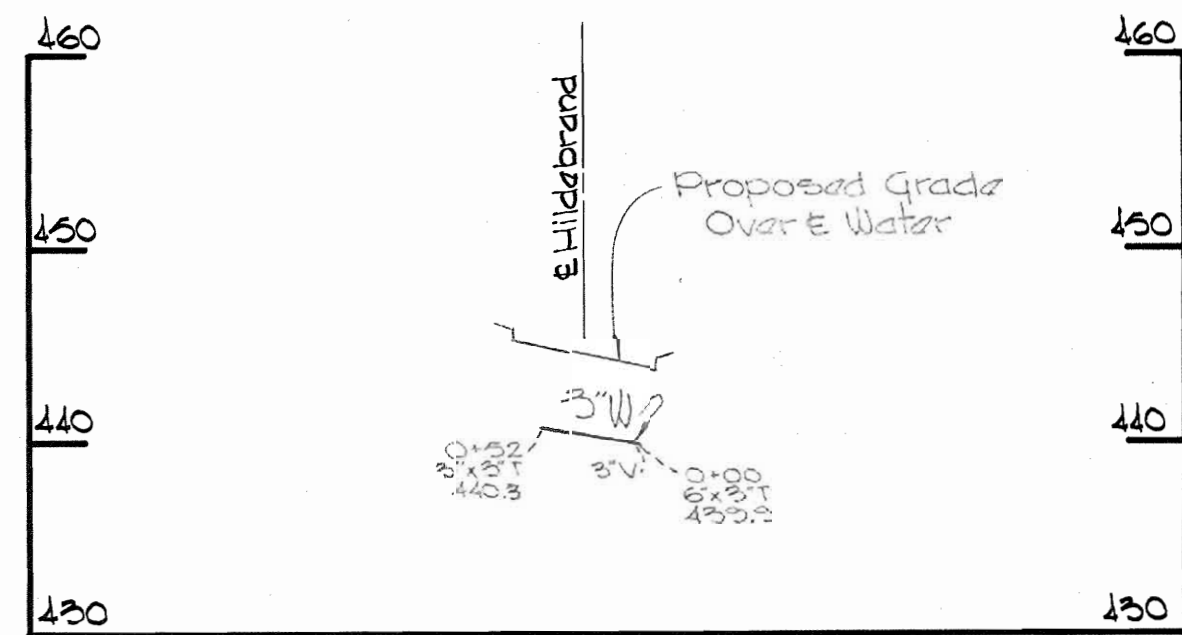
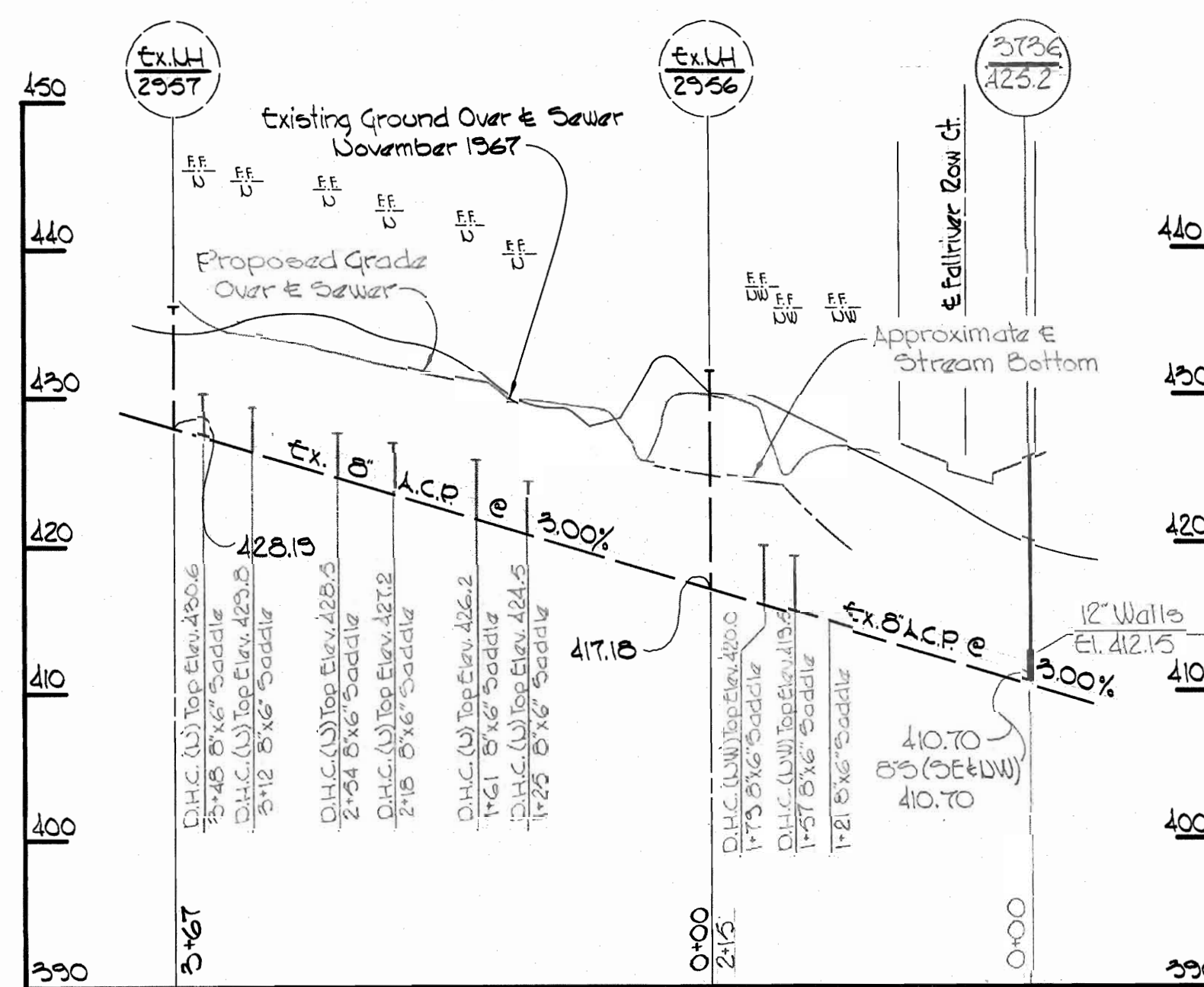
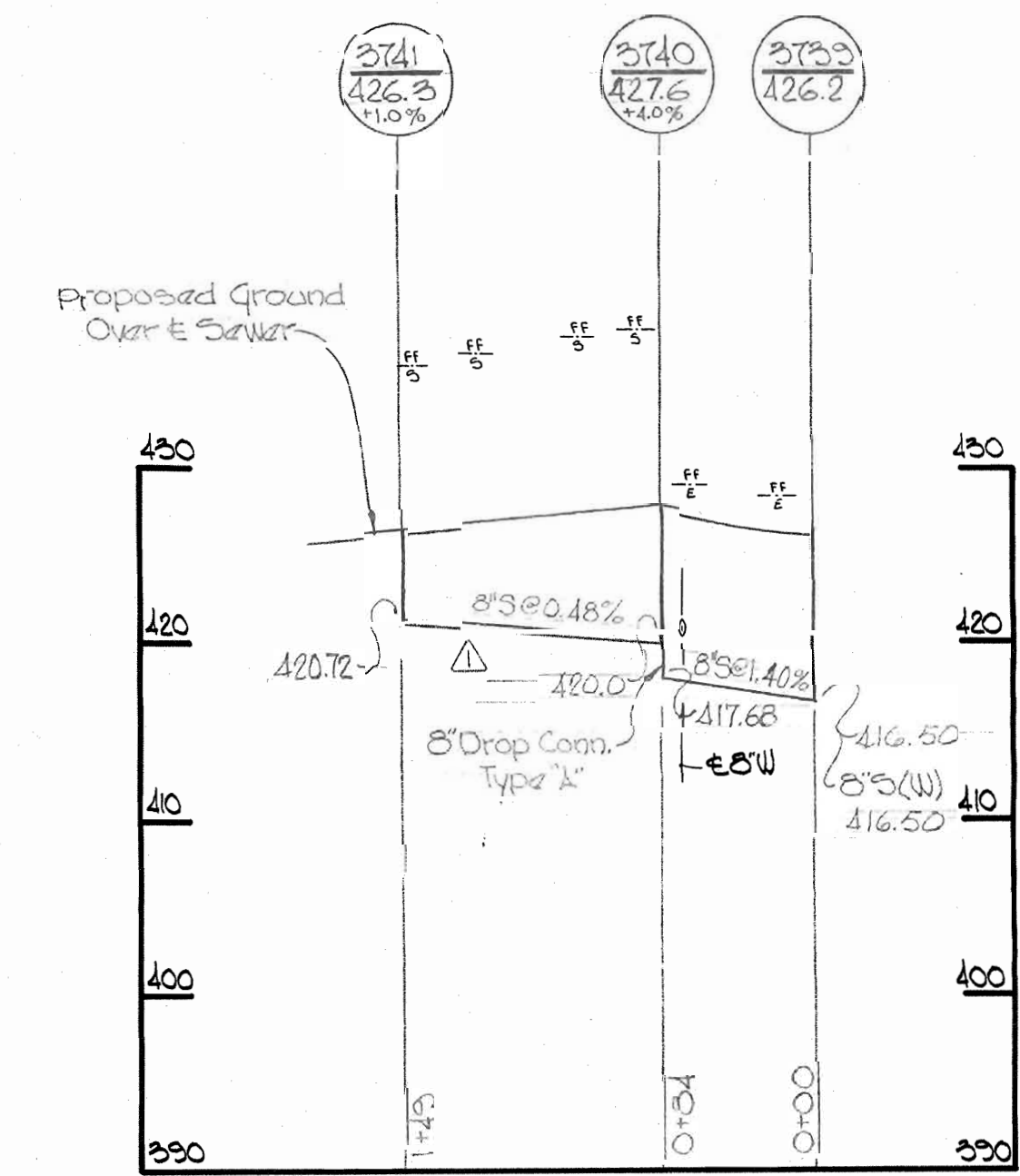
JULY 28, 1969 AS BUILT

WS 296 WS/1

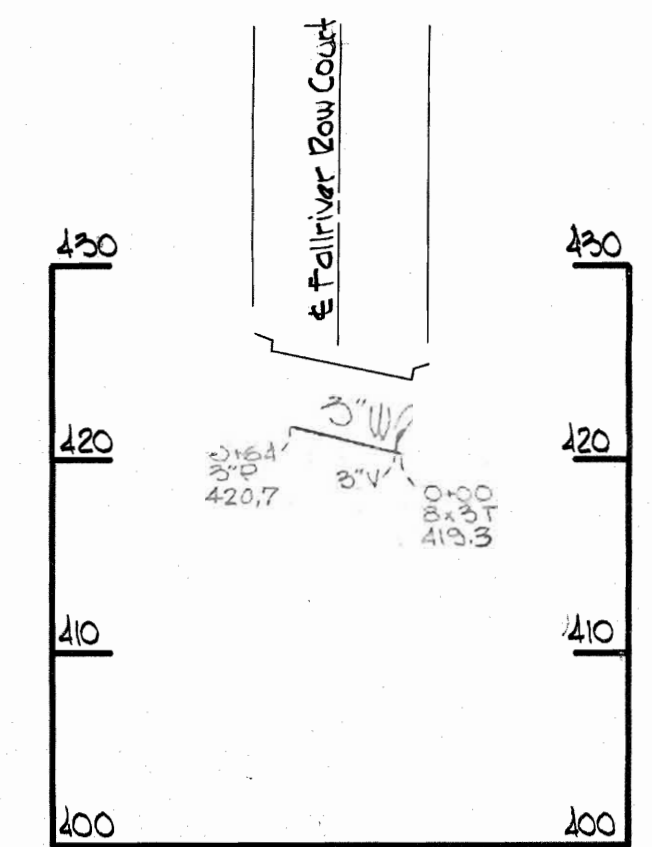
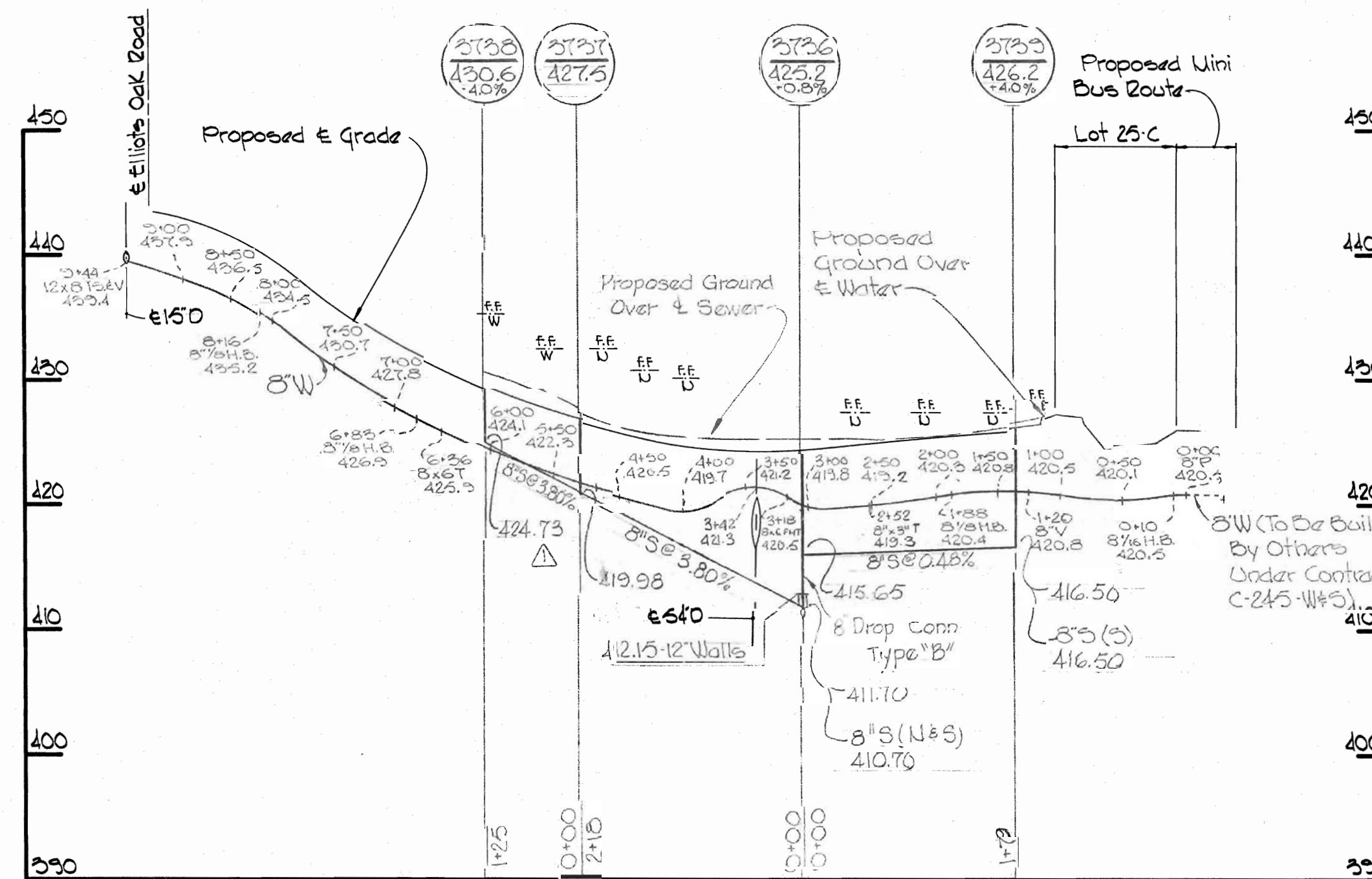
HILDEBRAND COURT NORTH



FALL RIVER ROW COURT SOUTH

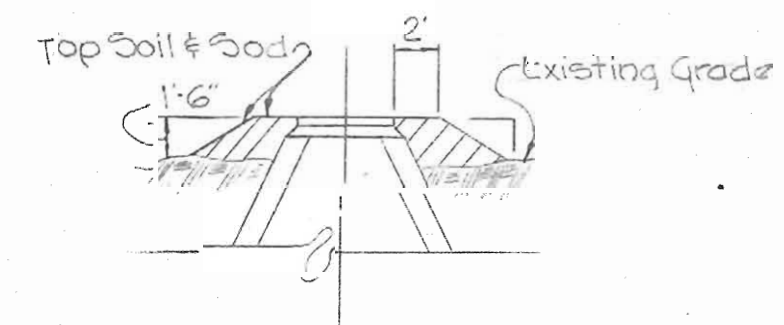
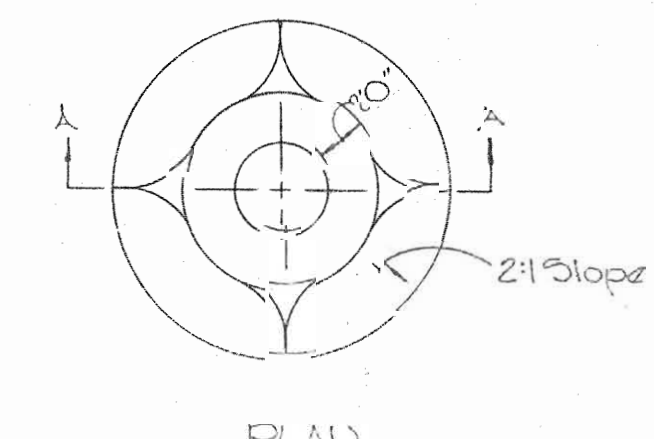
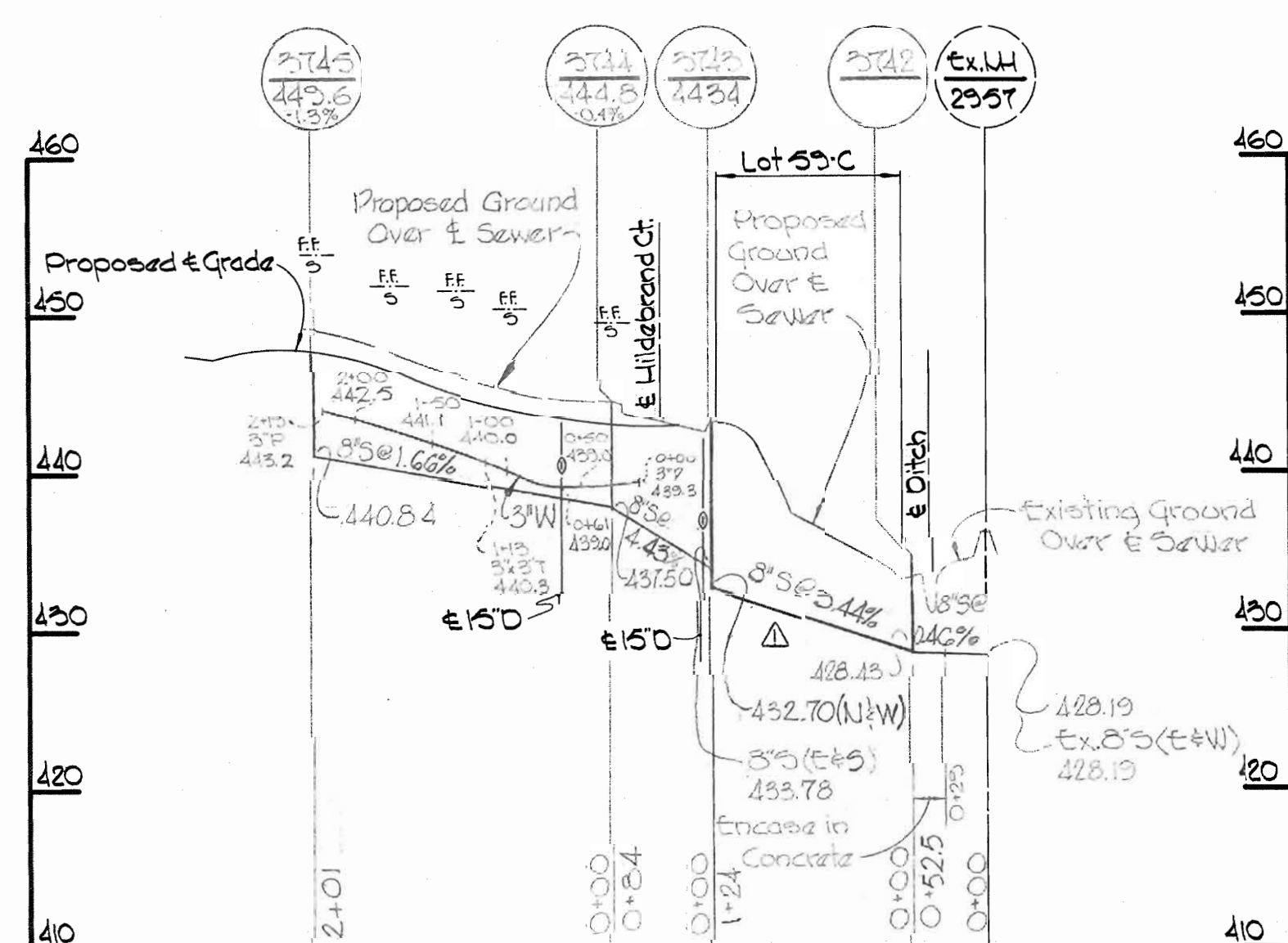


FALL RIVER ROW COURT NORTH



HILDEBRAND COURT SOUTH

Note:
Build Manhole 2742, 1'6" above Existing Ground. Fill required. See Detail this Drawing.



Section 1-A
FILL AT MANHOLE

Handwritten signature

4-1-69	Change All Inverts on Sewer Main
No. Date	Revision

WHITMAN, REQUARDT & ASSOCIATES
ENGINEERS
1304 ST. PAUL ST.
BALTIMORE, MARYLAND

HOWARD COUNTY METROPOLITAN COMMISSION
3-12-69 *W O Pickett*
DATE CHIEF ENGINEER

CONTRACT NO. C-296-W85

PROFILES OF
WATER & SEWER MAINS

COLUMBIA VILLAGE OF HARPER'S CHOICE
ELECTION DISTRICT CLARKSVILLE No.5

DRAWING NO. 2 OF 2
SCALE H:1"=100'
V:1"=10'

Howard Homes Section II
Contract U-296 W85

WS 296-W-5/2