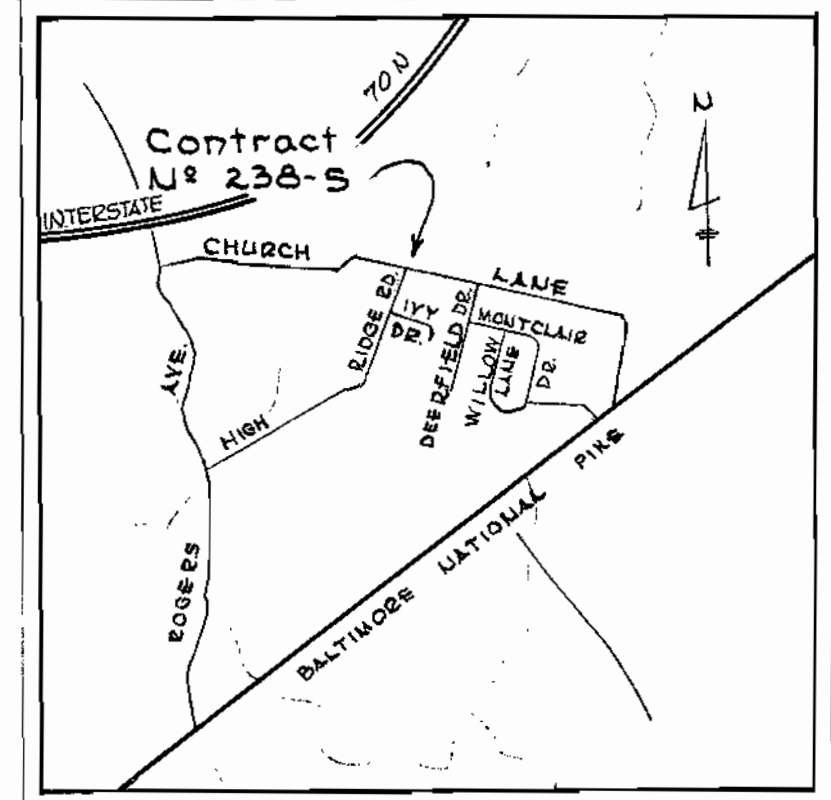
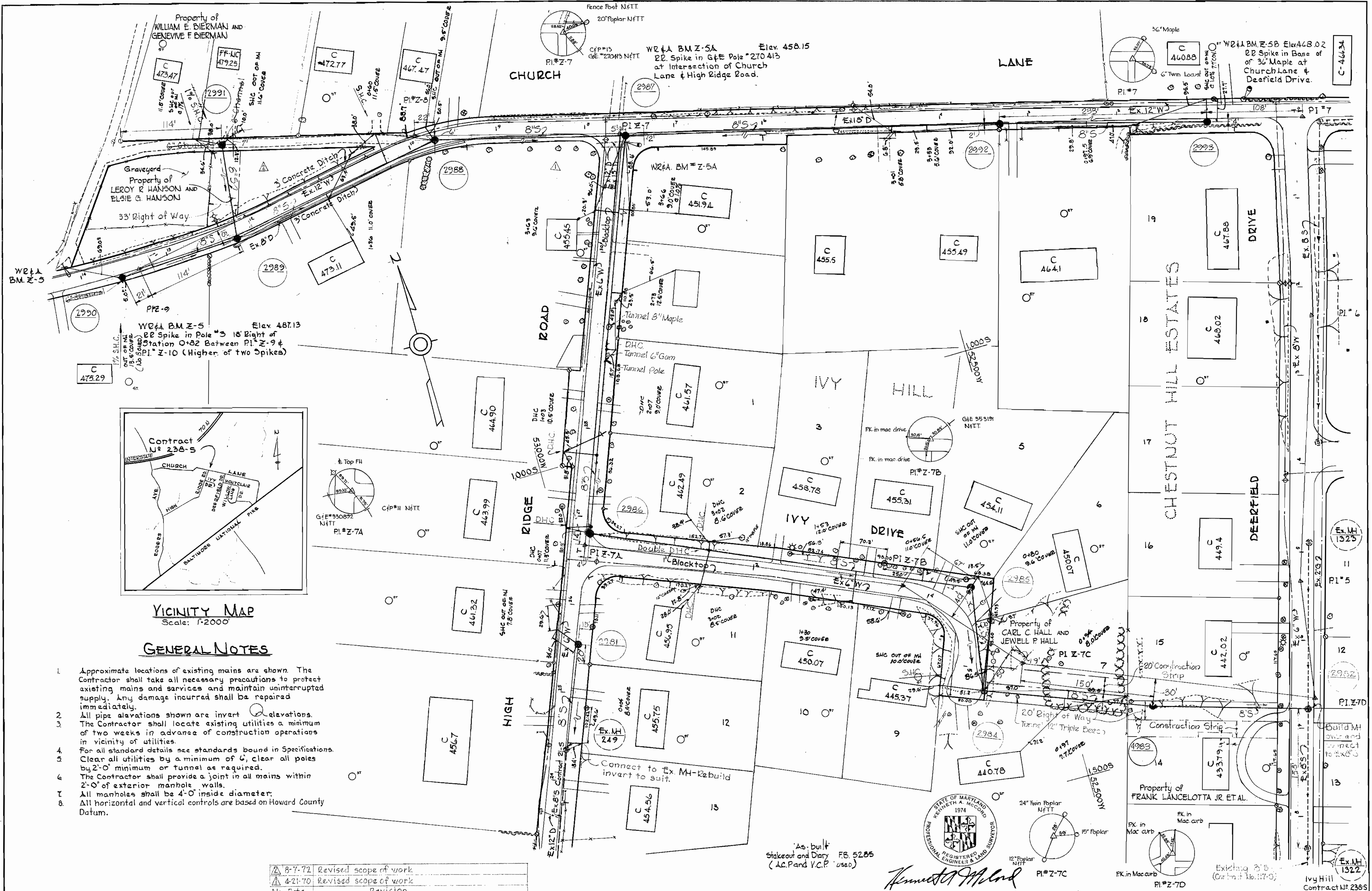


WS 238-S/1

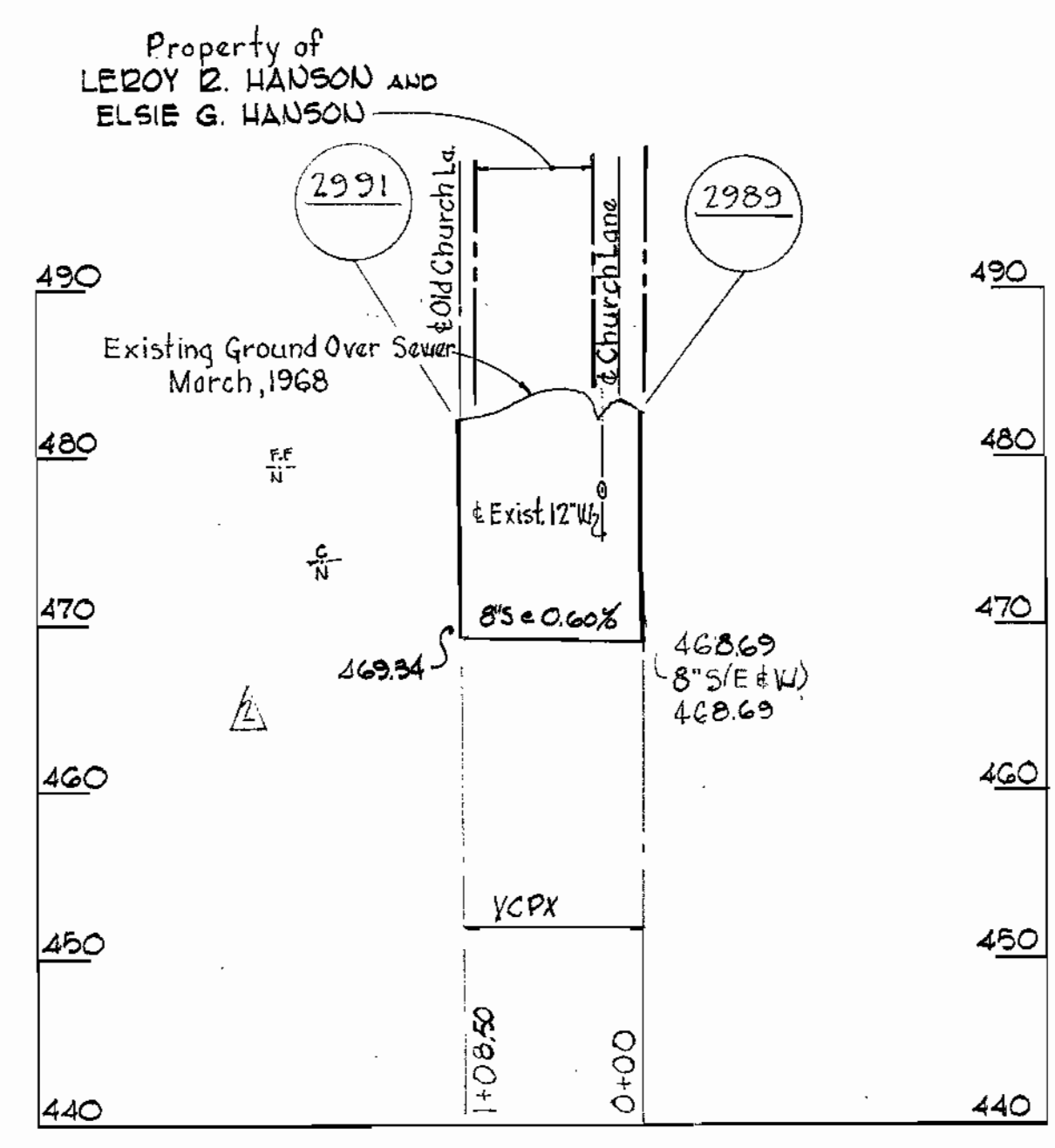
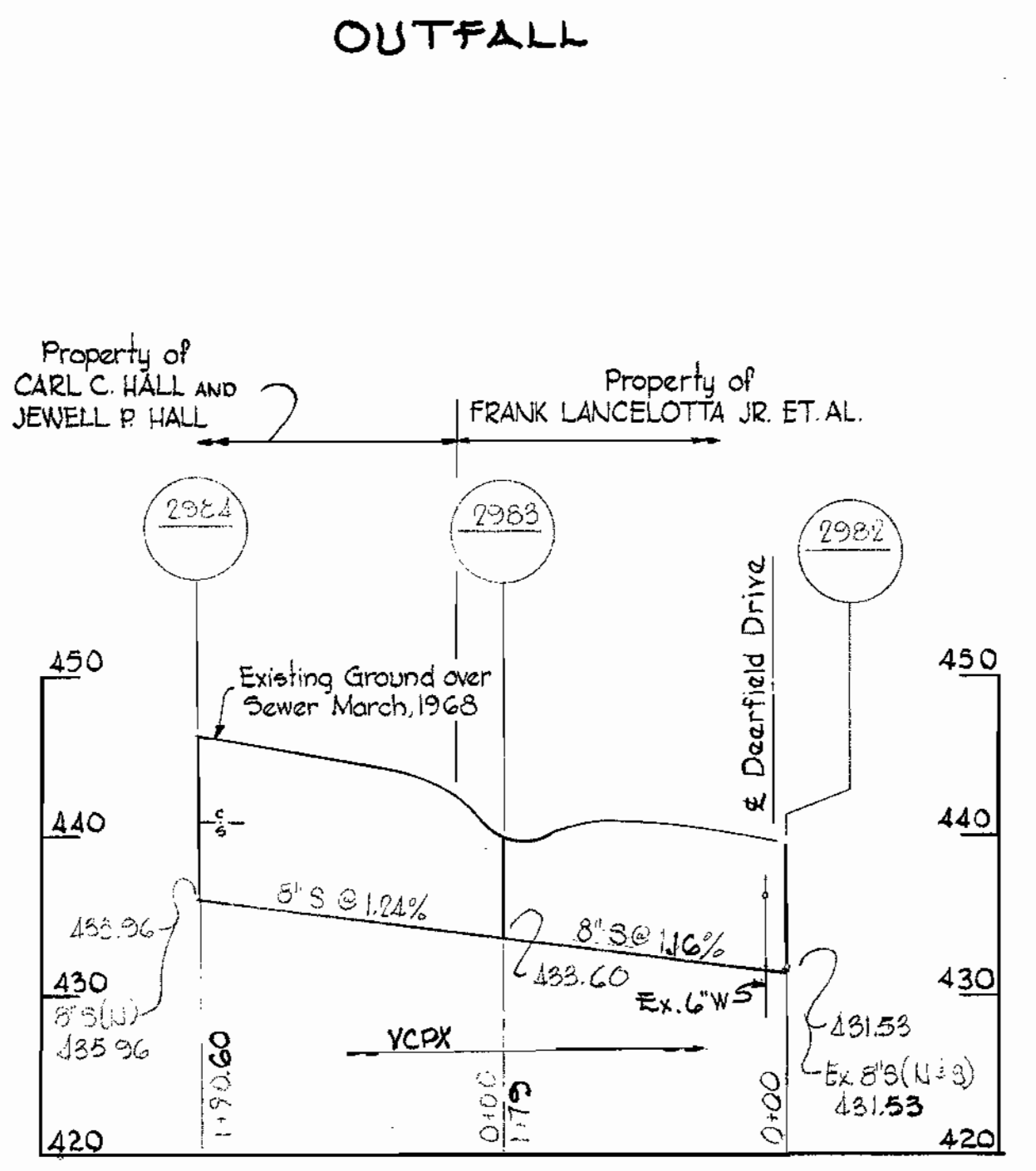
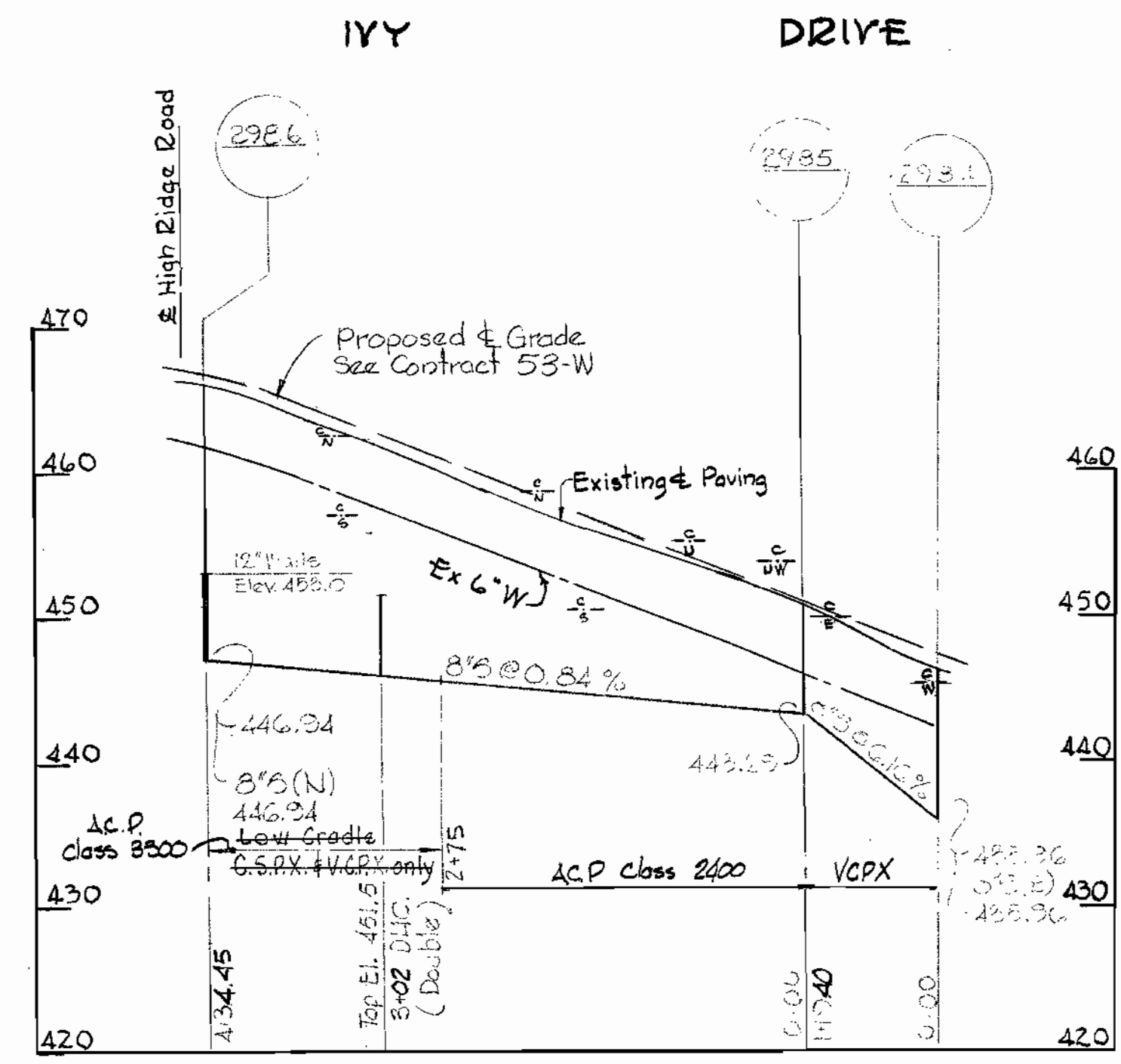
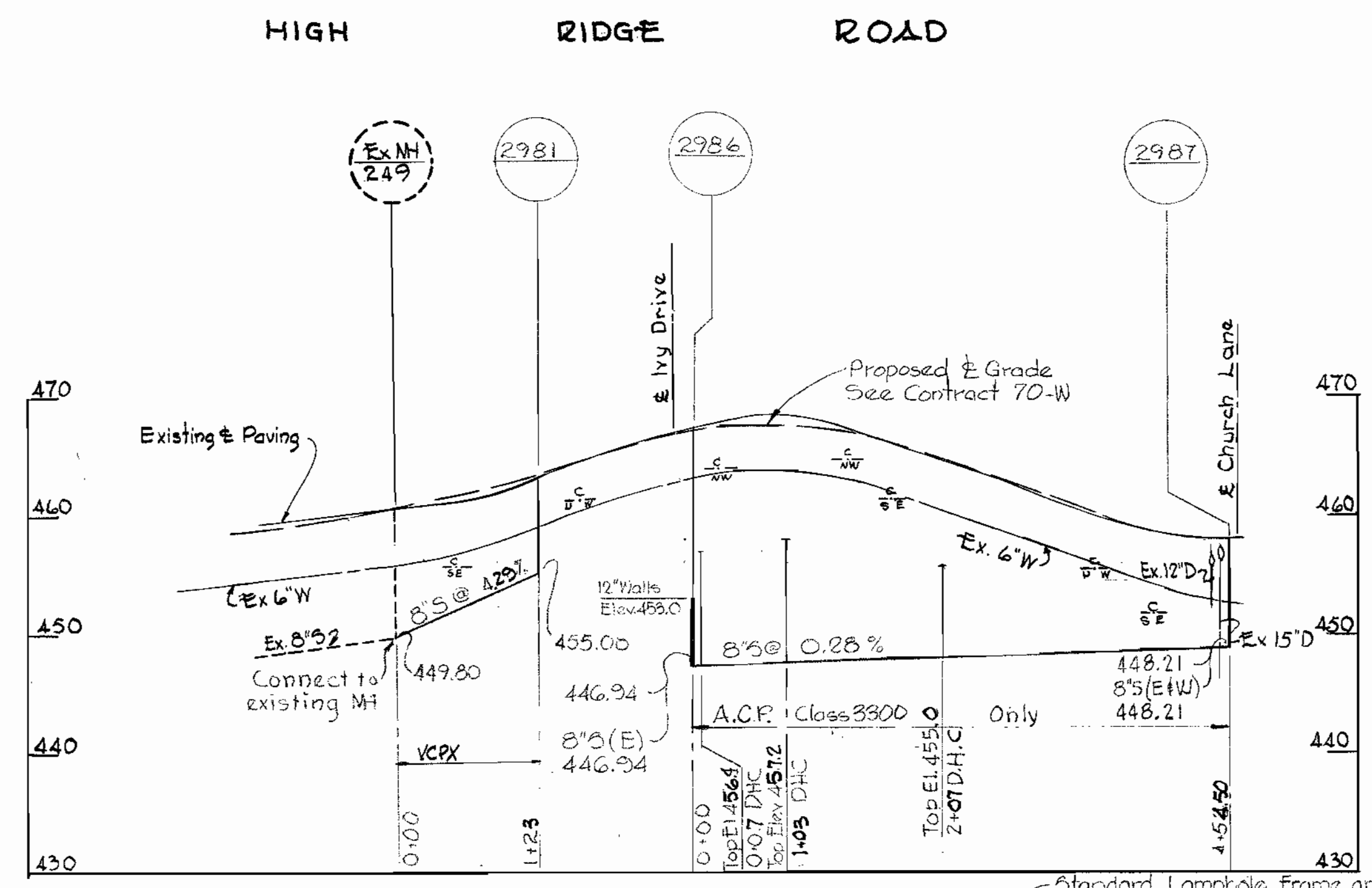
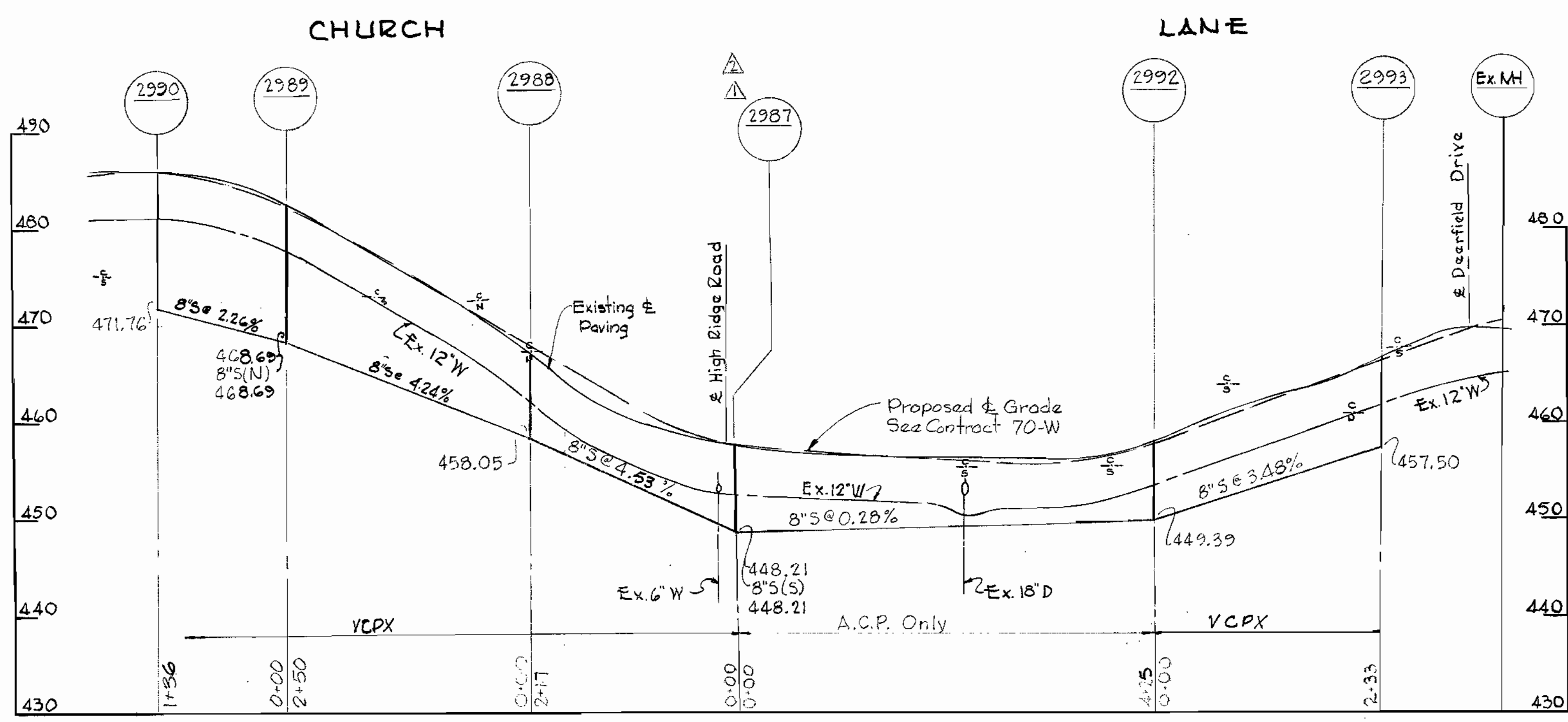


GENERAL NOTES

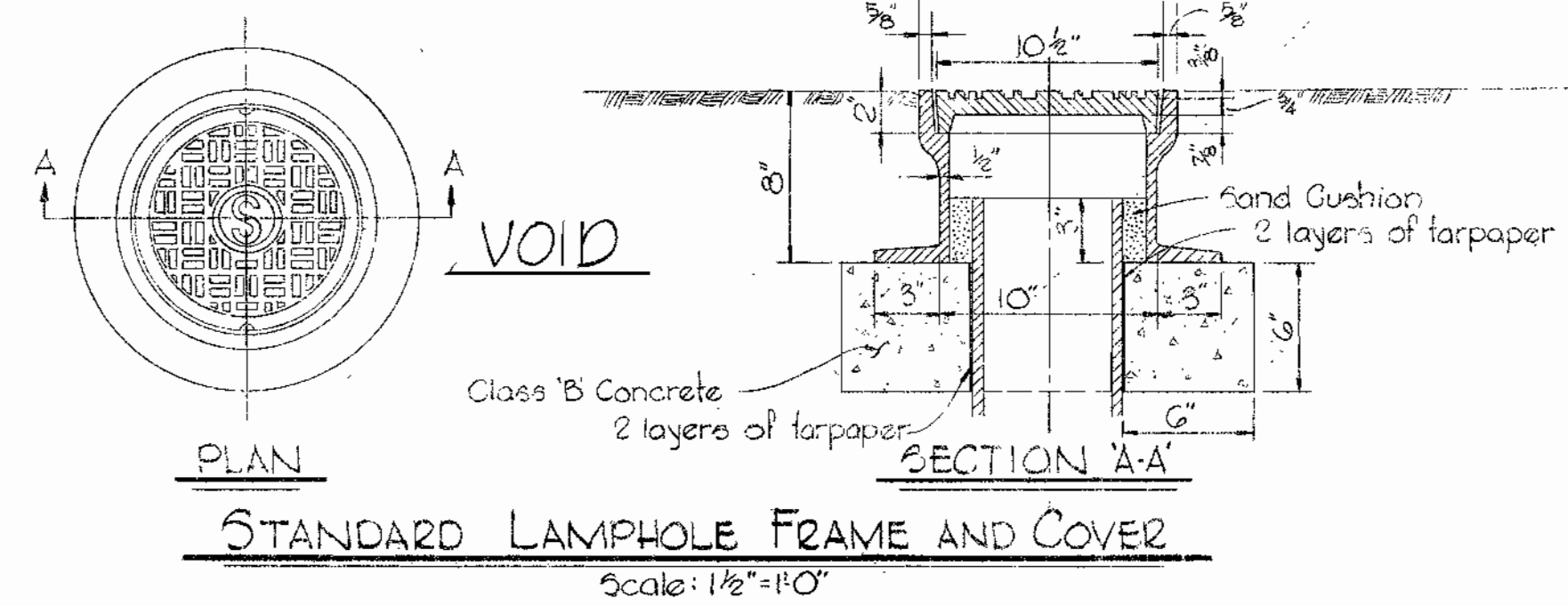
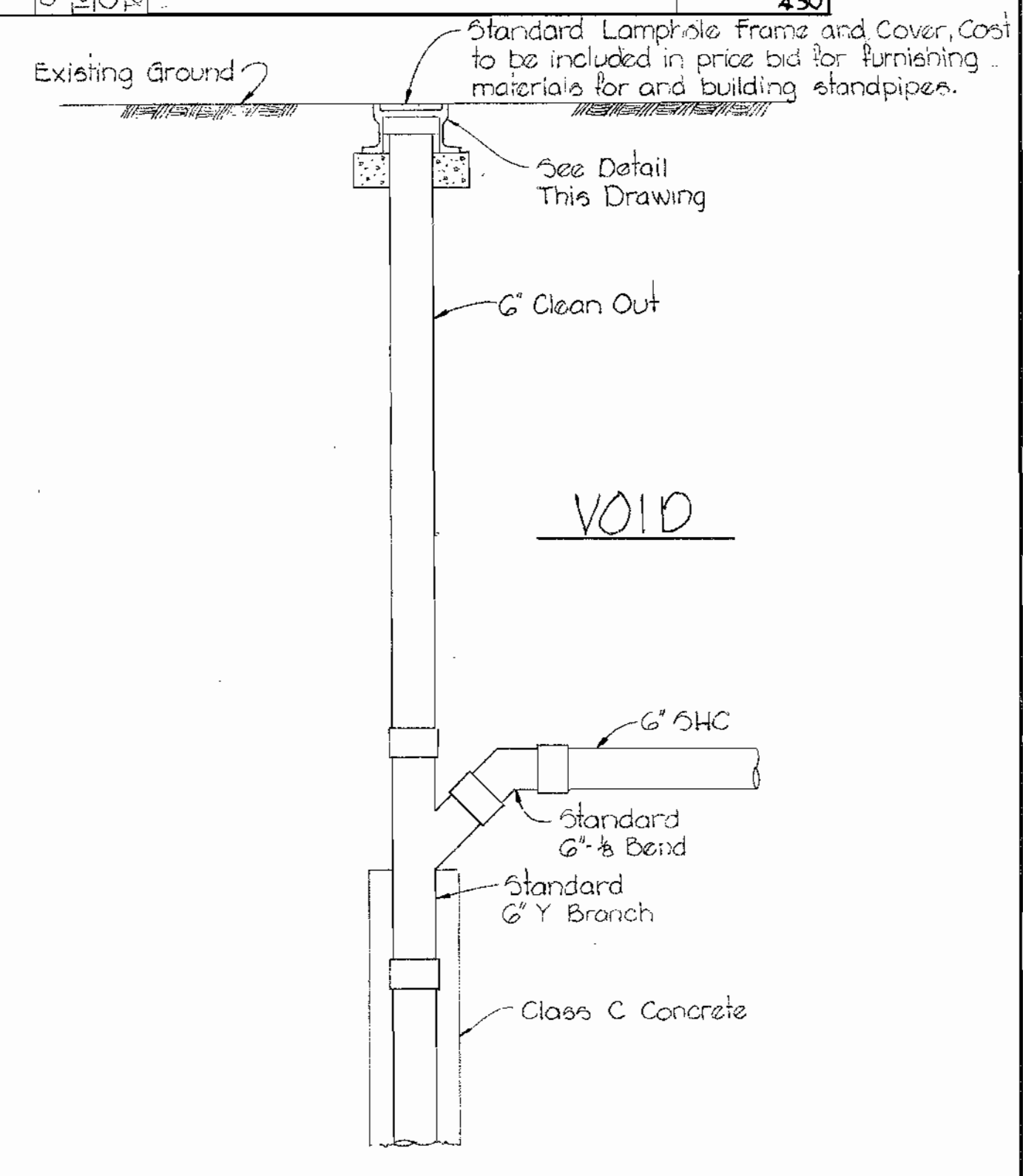
1. Approximate locations of existing mains are shown. The Contractor shall take all necessary precautions to protect existing mains and services and maintain uninterrupted supply. Any damage incurred shall be repaired immediately.
2. All pipe elevations shown are invert elevations.
3. The Contractor shall locate existing utilities a minimum of two weeks in advance of construction operations in vicinity of utilities.
4. For all standard details see standards bound in Specifications.
5. Clear all utilities by a minimum of 6', clear all poles by 2'-0" minimum or tunnel as required.
6. The Contractor shall provide a joint in all mains within 2'-0" of exterior manhole walls.
7. All manholes shall be 4'-0" inside diameter.
8. All horizontal and vertical controls are based on Howard County Datum.

8-7-72	Revised scope of work
4-21-70	Revised scope of work
No Date	Revision

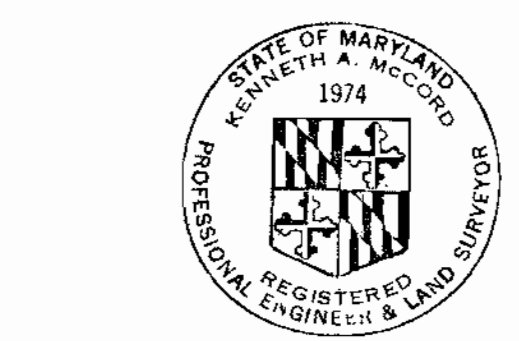
WHITMAN, REQUARDT & ASSOCIATES ENGINEERS 1304 ST. PAUL ST. BALTIMORE, MARYLAND	HOWARD COUNTY METROPOLITAN COMMISSION DATE: <u>4-1-69</u> <i>W O</i> CHIEF ENGINEER	CONTRACT NO. 238-S	PLAN OF SEWER MAINS	ELECTION DISTRICT ELLICOTT CITY NO. 2	DRAWING NO. 1 OF 2	SCALE 1"=50'
--	--	---------------------------	----------------------------	--	---------------------------	---------------------



NOTE
Brick manholes shall have 12" walls or solid for 3' or less.



8-7-77	Revised scope of Work
4-21-70	Revised scope of Work
No Date	Revision



Kenneth M. Lind
Ivy Hill
Contract U-238-S

WHITMAN, REQUARDT & ASSOCIATES ENGINEERS 1304 ST. PAUL ST. BALTIMORE, MARYLAND	HOWARD COUNTY METROPOLITAN COMMISSION 4-1-69 DATE	W. O. Burt CHIEF ENGINEER	CONTRACT NO. 238-S	PROFILES OF SEWER MAINS	ELECTION DISTRICT ELLICOTT CITY NO.2	DRAWING NO. 2 OF 2	SCALE H:V = 1"=10'
---	---	------------------------------	--------------------	-------------------------	--------------------------------------	--------------------	--------------------

W. O. 6021-2

April 23, 1978 AS BURT

WS 238-S/2