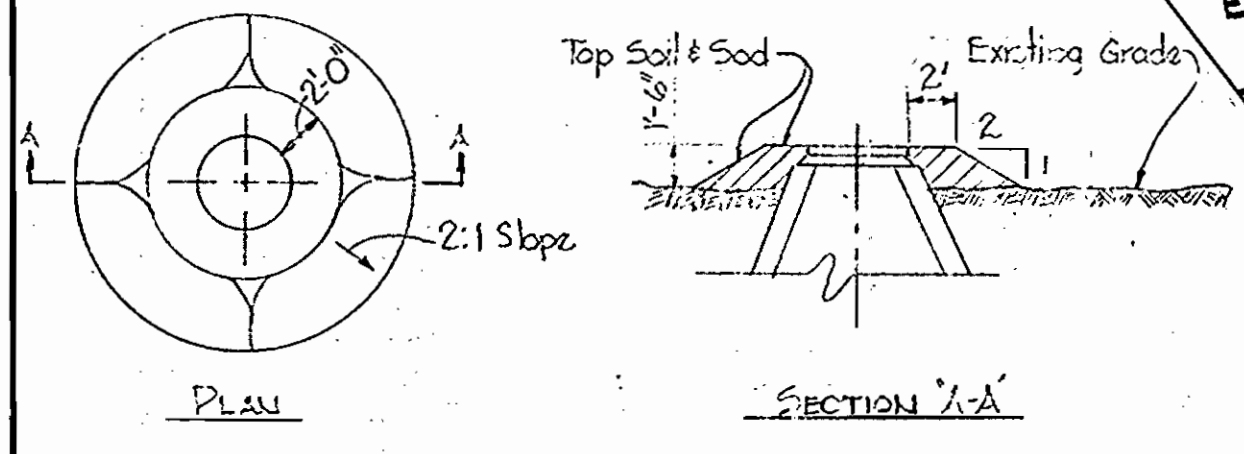
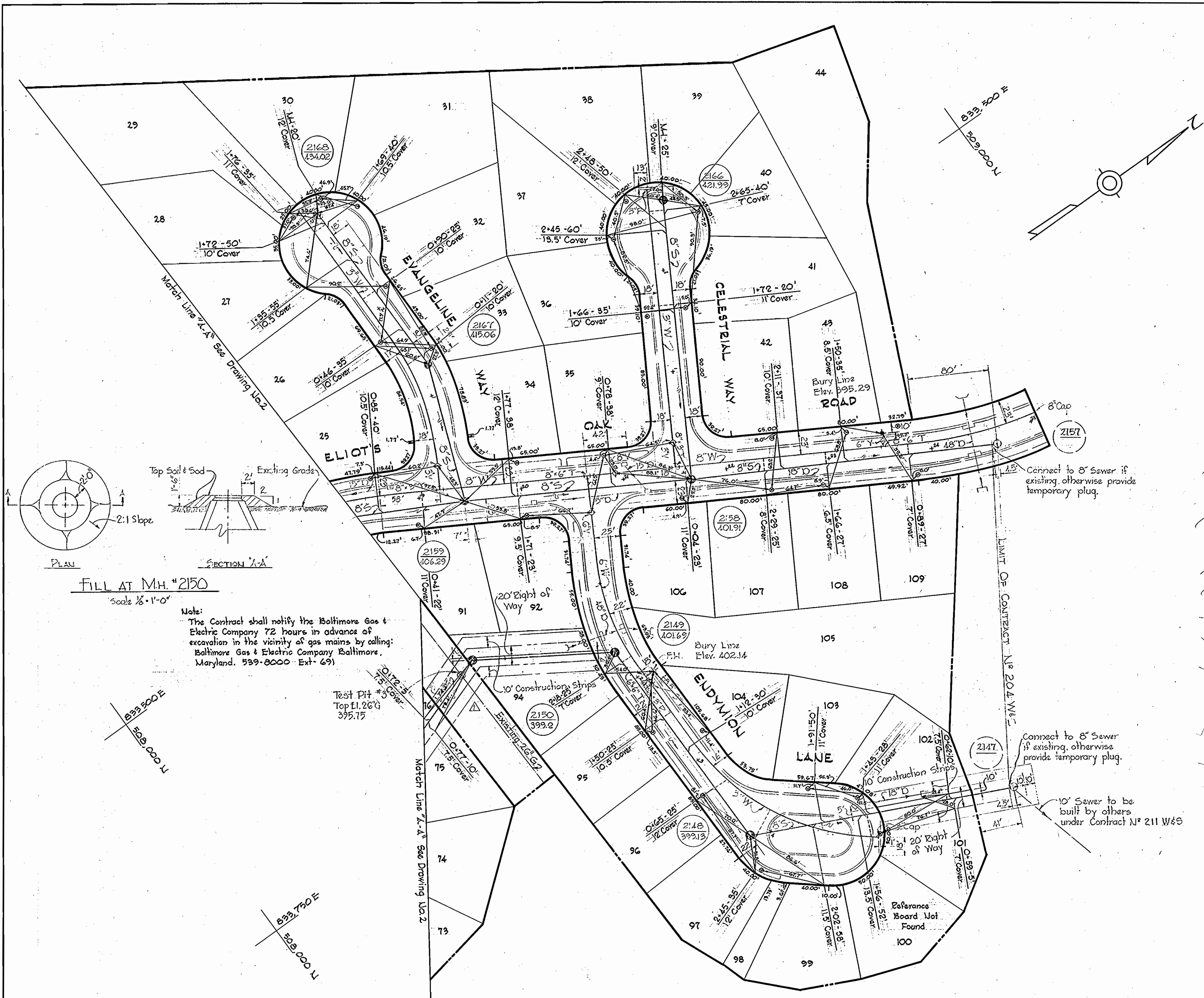


VICINITY MAP
Scale: 1"=2330'



FILL AT M.H. #2150
Scale 1/8"=1'-0"

Note:
The Contractor shall notify the Baltimore Gas & Electric Company 72 hours in advance of excavation in the vicinity of gas mains by calling: Baltimore Gas & Electric Company Baltimore, Maryland, 539-8000 Ext-691

- GENERAL NOTES**
1. Approximate location of existing mains are shown. The Contractor shall take all necessary precautions to protect existing mains and services and maintain uninterrupted supply. Any damage incurred shall be repaired immediately.
 2. All pipe elevations shown are invert elevations.
 3. The Contractor shall locate existing utilities a minimum of two weeks in advance of construction operations in vicinity of utilities.
 4. For all standard details see standards bound in Specifications.
 5. All water mains to be C.I.P. or D.I.P. and have a minimum of 3/2' cover.
 6. Block all fittings with concrete, see standard details bound in Specifications.
 7. Bury line elevations on fire hydrants shall be set to elevations shown on drawings.
 8. All Fire Hydrants shall be buttressed with concrete in accordance with Standard Detail W-4.
 9. Cost of strapping Fire Hydrants and Valves to trees to be included in the unit price bid for furnishing and laying of water mains.
 10. Clear all utilities by a minimum of 6', clear all poles by 2'-0" minimum or tunnel as required.
 11. The Contractor shall provide a joint in all sewer mains within 2'-0" of exterior manhole walls.
 12. Trees are to be protected from damage to the maximum extent reasonable. Trees which are to remain will be marked by the Engineer prior to commencing of construction operations.
 13. All manholes shall be 4'-0" inside diameter.



Kenneth A. M...

9-22-67	Added fact #3 on 26" G.
No.	Date
	Revision

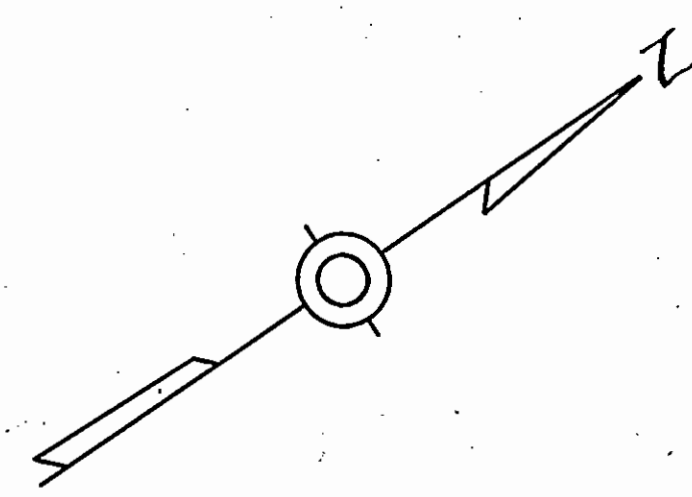
Longfellow Section N#1
Contract N# 204 W&S

WHITMAN, REQUARDT & ASSOCIATES ENGINEERS 1304 ST. PAUL ST. BALTIMORE, MARYLAND	HOWARD COUNTY METROPOLITAN COMMISSION 8-24-67 DATE	CONTRACT NO. 204 W&S	PLAN & PROFILE OF WATER & SEWER MAINS	COLUMBIA VILLAGE OF HARPER'S CHOICE ELECTION DISTRICT-CLARKSVILLE No.5	DRAWING NO. 1 OF 3	SCALE AS SHOWN
---	--	----------------------	--	--	--------------------	----------------

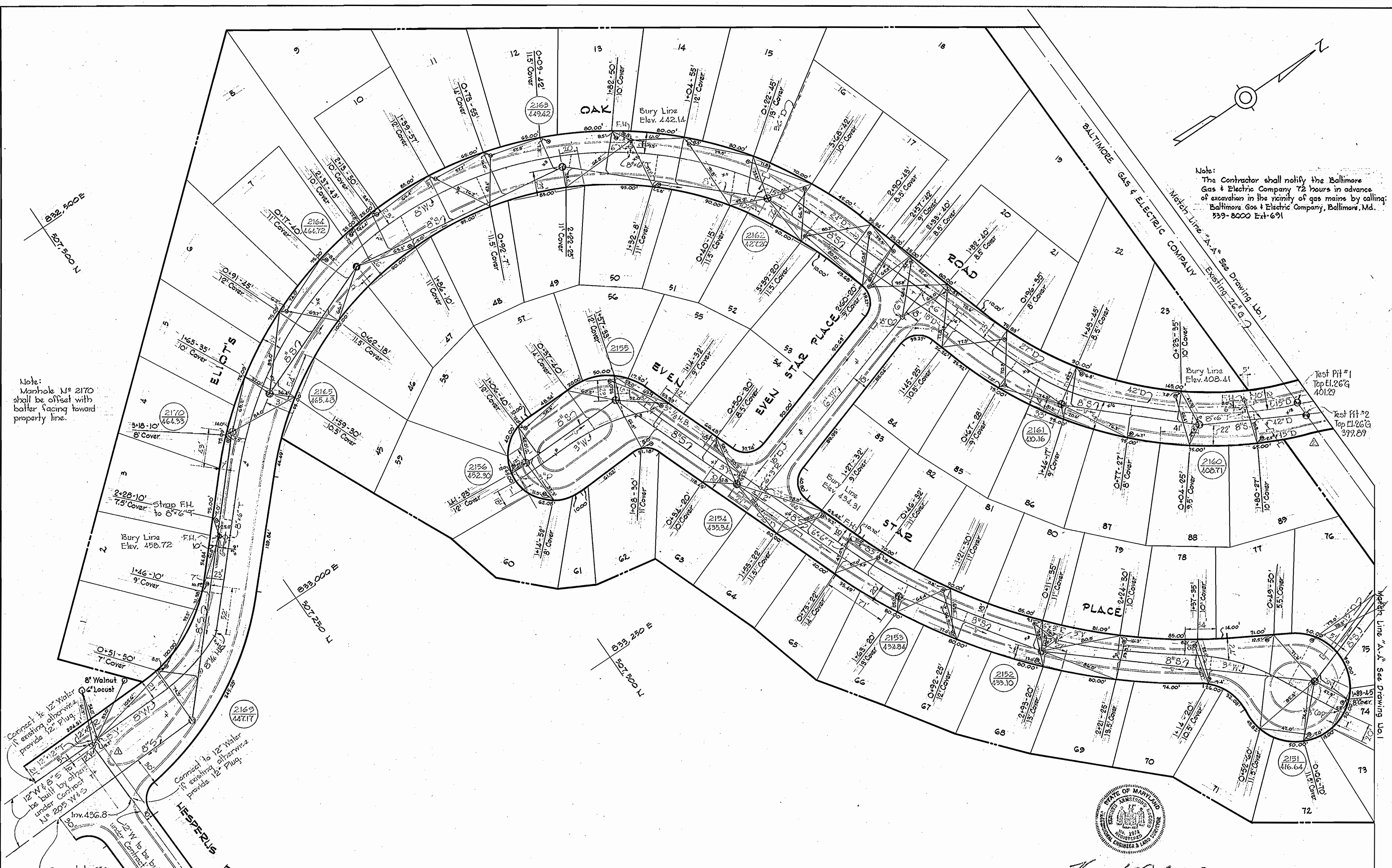
W. O. 5735-2

AS BUILT DECEMBER, 1967

WS 204-W&S/1



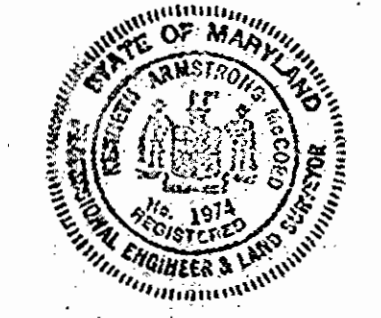
Note:
The Contractor shall notify the Baltimore Gas & Electric Company 72 hours in advance of excavation in the vicinity of gas mains by calling: Baltimore Gas & Electric Company, Baltimore, Md. 339-8000 Ext-691



Note:
Manhole No 2170 shall be offset with batter facing toward property line.

Connect to 12" Water if existing otherwise provide 12" Plug.
12" W & S to be built by others under Contract No 205 W&S
Inv. 436.8
12" W to be built by others under Contract No 205 W&S
Connect to 8" Sewer if existing otherwise provide temporary 8" Plug.

0-22-67	Added Test Pits 1&2
9-7-67	Revised 12" W Location on Hesperus Drive
U#	Date
	Revision



Howard M. Lind

Longfellow Section No. 1
Contract No. 204 W&S

WHITMAN, REQUARDT & ASSOCIATES
ENGINEERS
1304 ST. PAUL ST.
BALTIMORE, MARYLAND

HOWARD COUNTY METROPOLITAN COMMISSION
8-31-67
DATE

CONTRACT NO. 204 W&S

PLAN OF
WATER & SEWER MAINS

COLUMBIA
VILLAGE OF HARPERS CHOICE
ELECTION DISTRICT-CLARKSVILLE No.5

DRAWING NO. 2 OF 3
SCALE 1"=50'

WS 204-WS/2

