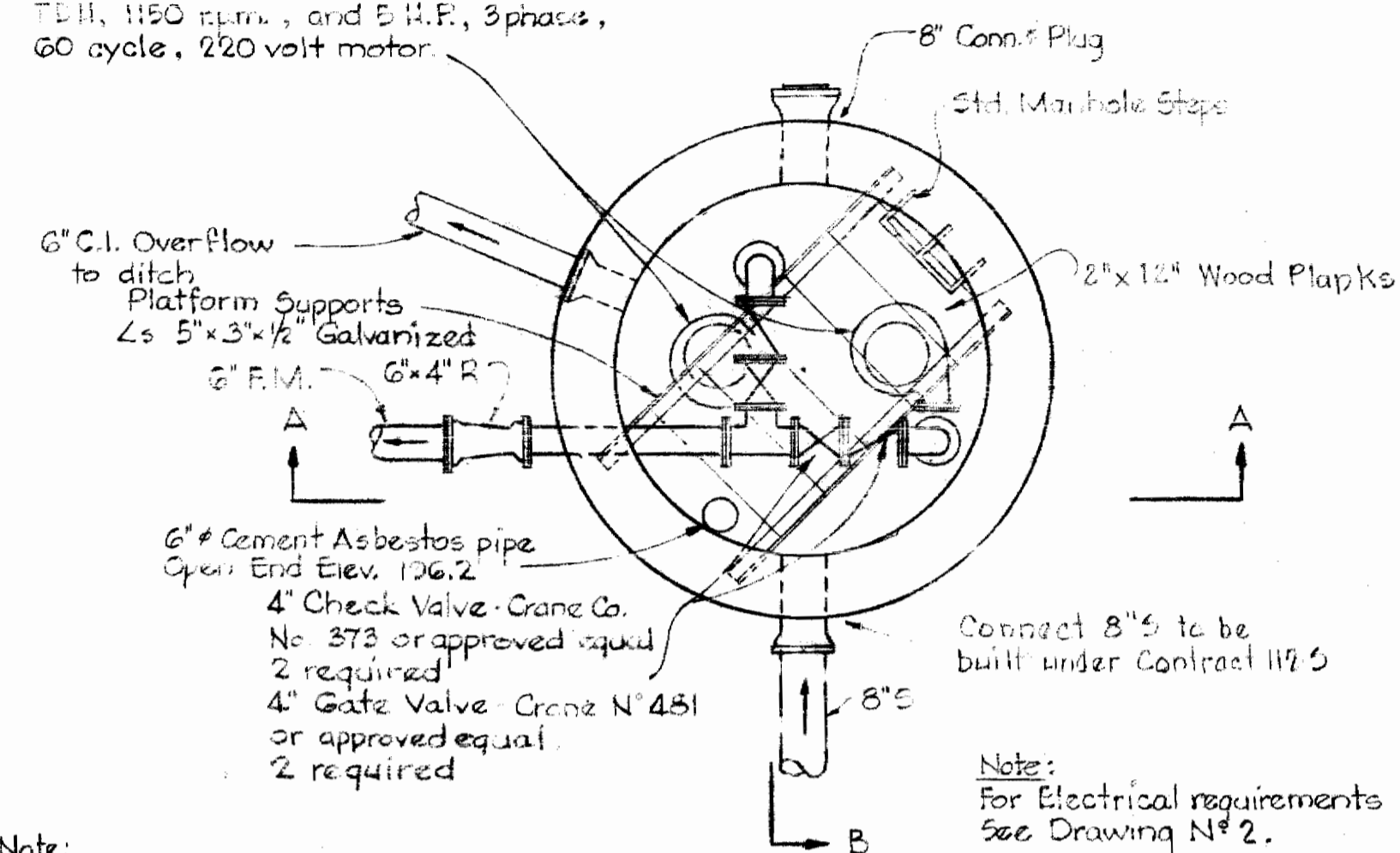
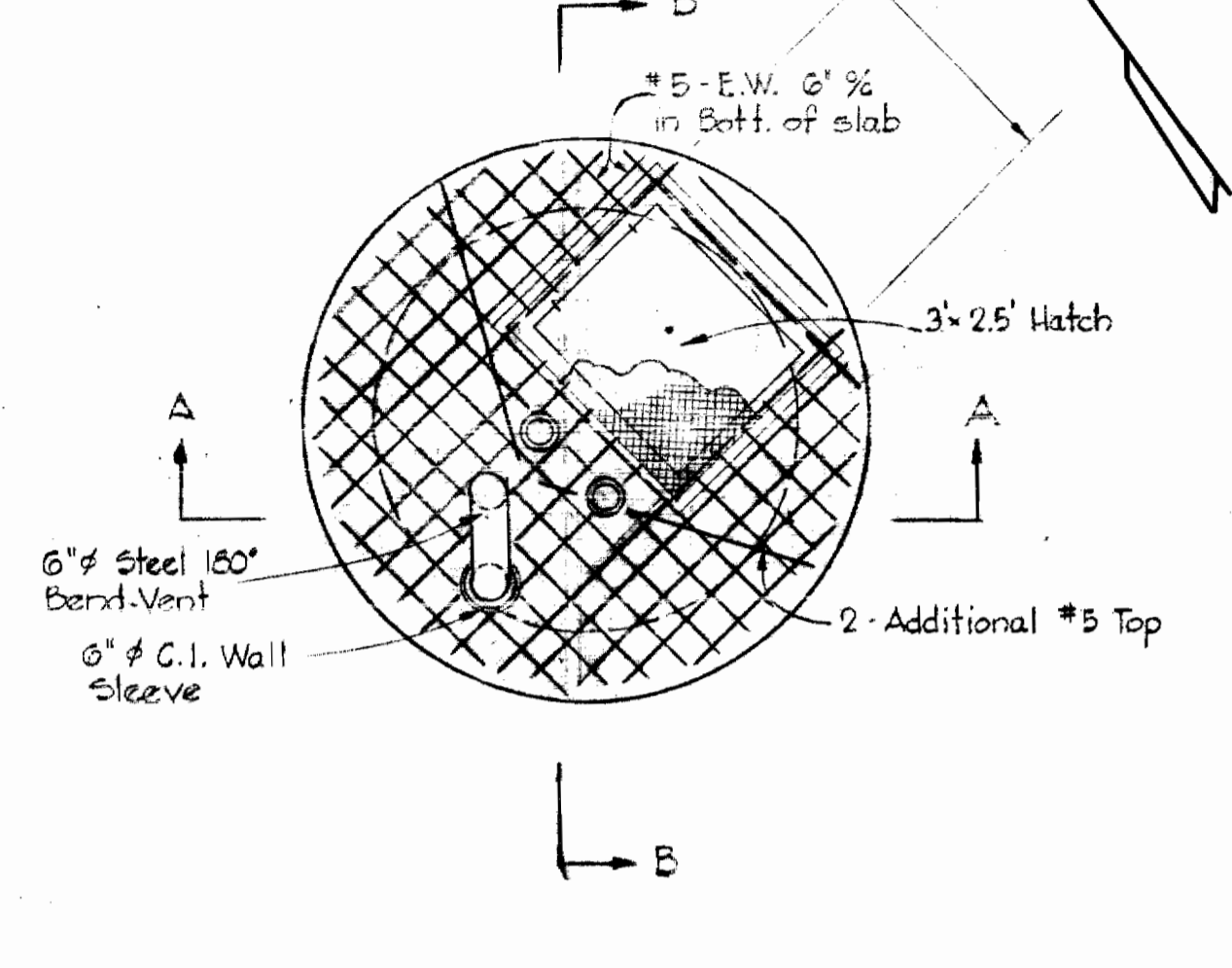


2- Fairbanks Morse 4" Fig. 5432 AWK
Submersible Sewage Pumps. Each pump
shall have a capacity of 250 gpm @ 32.0'
T.D.H., 1150 rpm, and E.H.F., 3 phase,
60 cycle, 220 volt motor.

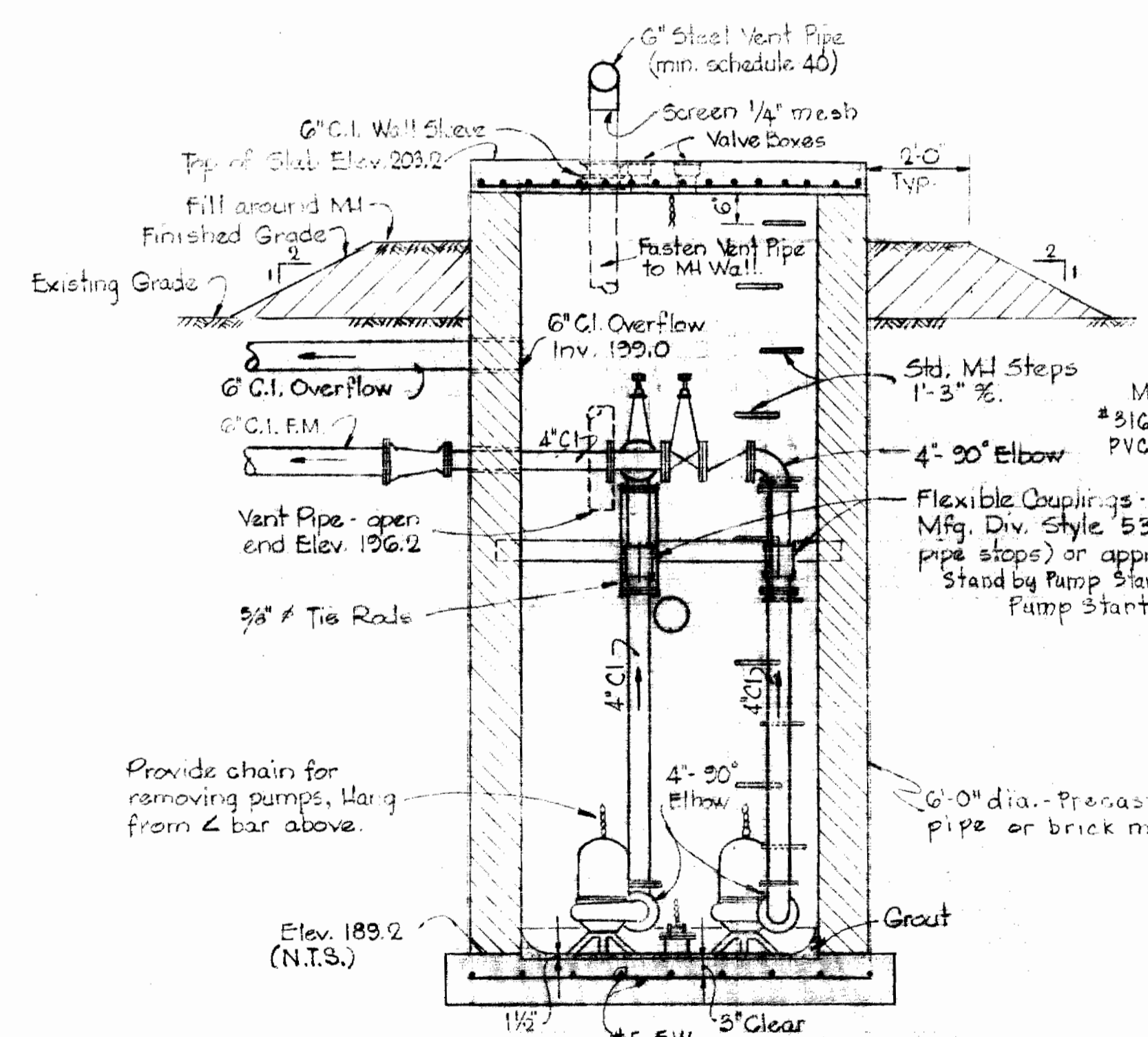


PLAN - BELOW SLAB

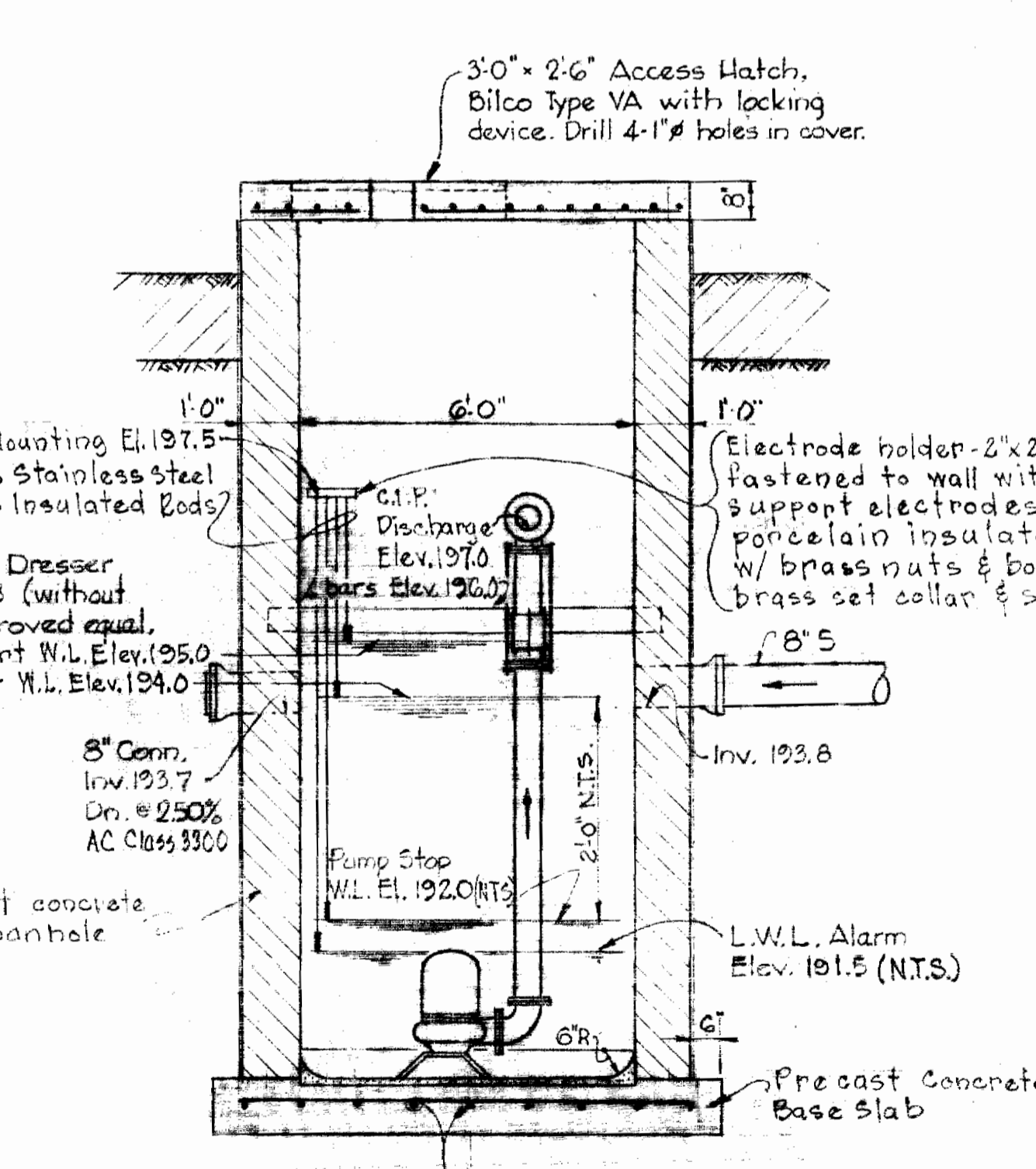


PLAN - TOP SLAB

Note:
All pipe and fittings inside
MH shall be flanged ends.



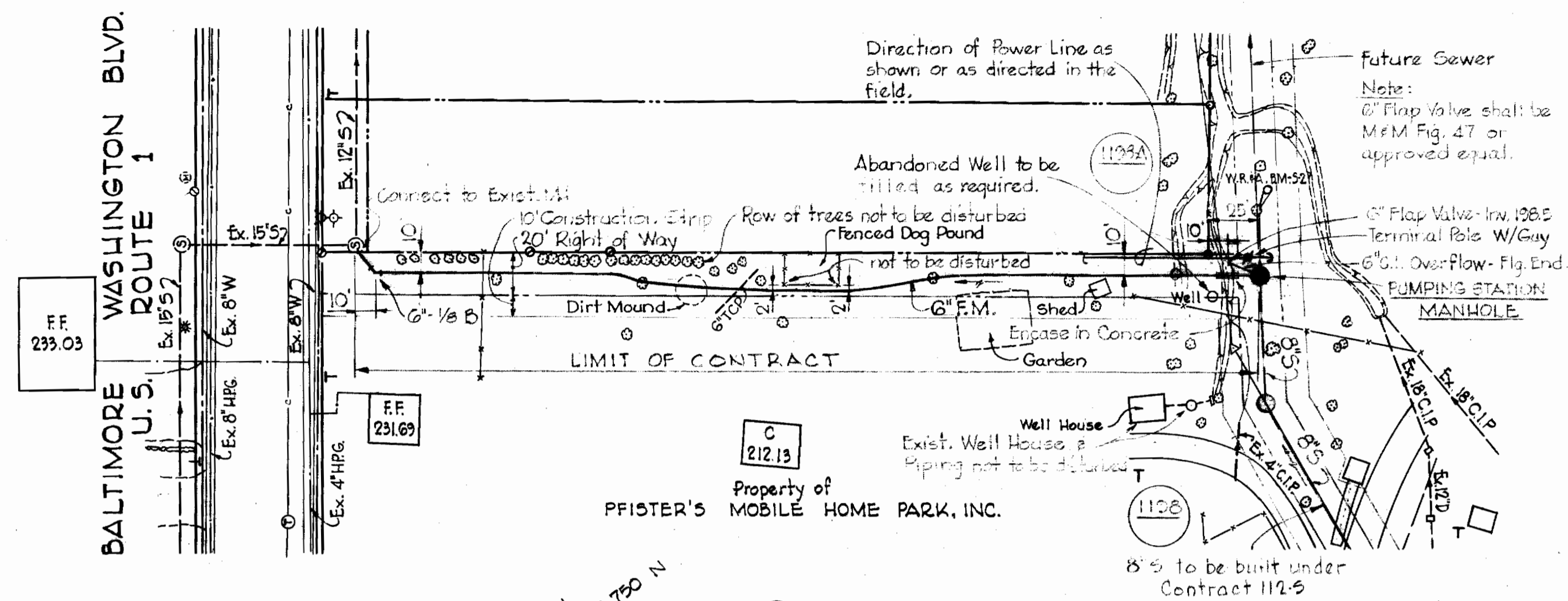
SECTION "A-A"



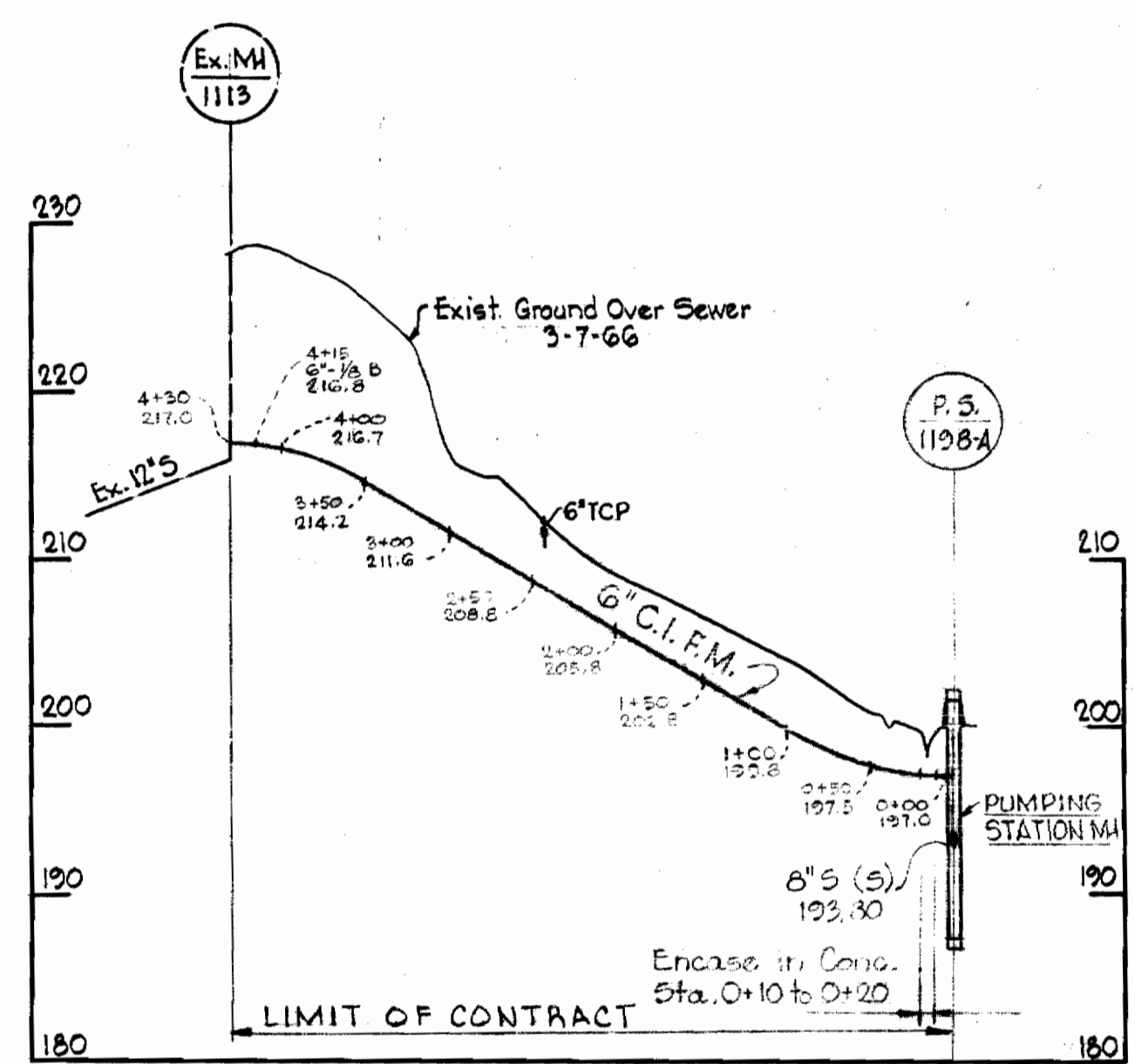
SECTION "B-B"

TEMPORARY PUMPING STATION MANHOLE 1198-A

Scale: 3/8" = 1'-0"



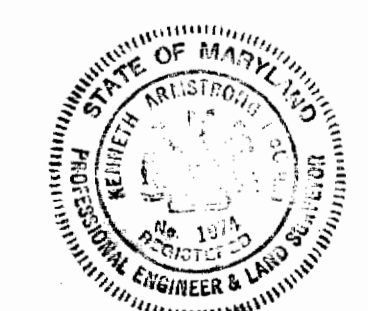
PLAN
Scale: 1" = 50'



PROFILE
Scale: H: 1" = 100'
V: 1" = 10'

GENERAL NOTES

1. Approximate location of existing mains are shown. The Contractor shall take all necessary precautions to protect existing mains and services and maintain uninterrupted supply. Any damage incurred shall be repaired immediately.
2. All pipe elevation shown are invert @ elevations.
3. The Contractor shall locate existing utilities a minimum of two weeks in advance of construction operations in vicinity of utilities.
4. For all standard details see Standards bound in Specifications.
5. 6" F.M. to be C.I.P. Class 22 and have a minimum of 3' cover.
6. Block all fittings with concrete, see Standards bound in Specifications.
7. Clear all poles by 2'-0" minimum or tunnel as required. Clear all existing utilities by 6" minimum.



Handwritten signature: Howard W. Reardon

Whiskey Bottom Road
Sewage Pumping Station
Contract N° 149-S

WHITMAN, REQUARDT & ASSOCIATES
ENGINEERS
1304 ST. PAUL ST.
BALTIMORE, MARYLAND

HOWARD COUNTY METROPOLITAN COMMISSION
4-22-66
DATE
W. O. Silvers
CHIEF ENGINEER

CONTRACT NO. 149-S

PUMPING STATION
PLAN, PROFILE AND
MECHANICAL DETAILS

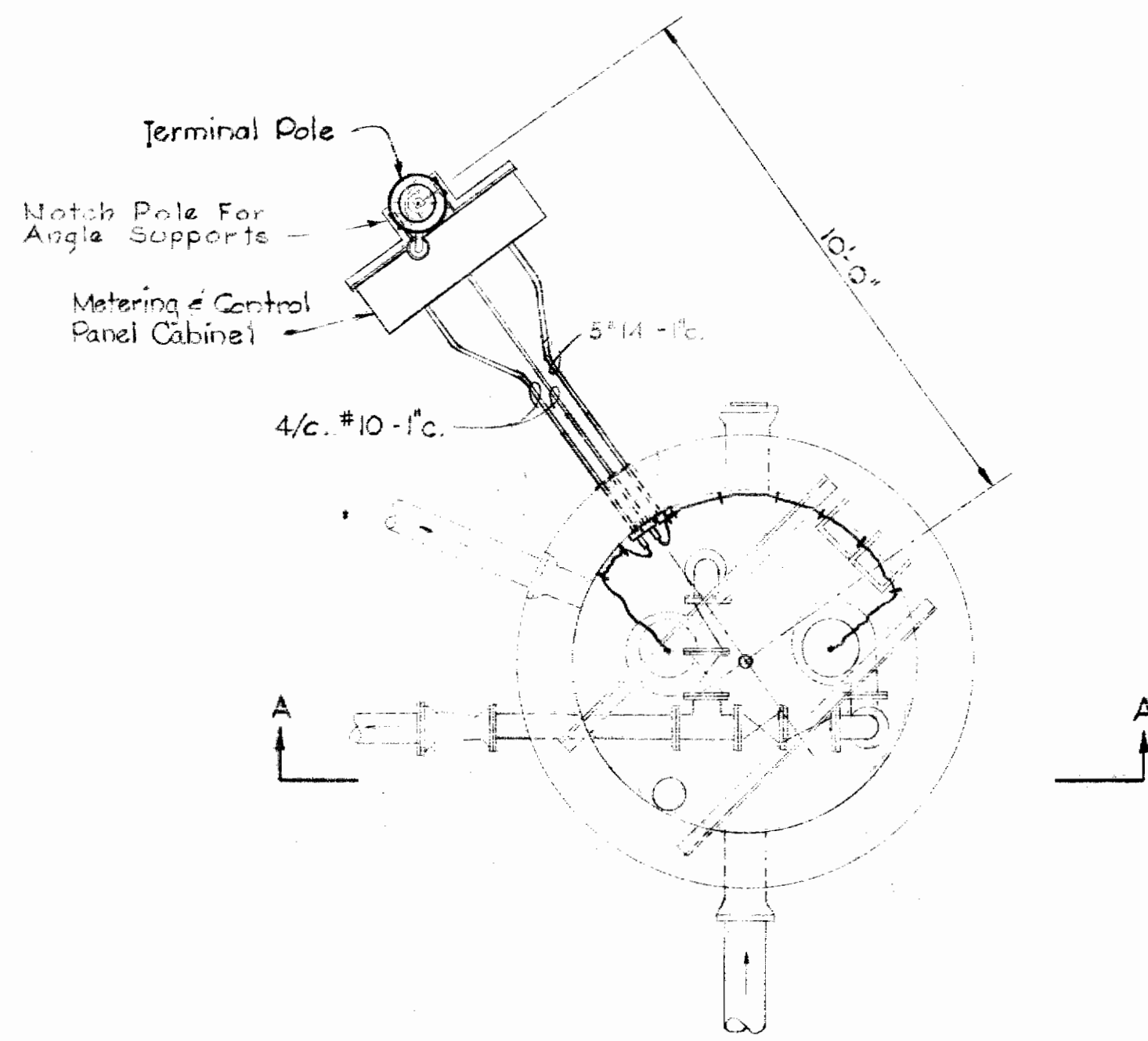
PATUXENT SUB-DISTRICT

DRAWING NO. 1 OF 2
SCALE AS SHOWN

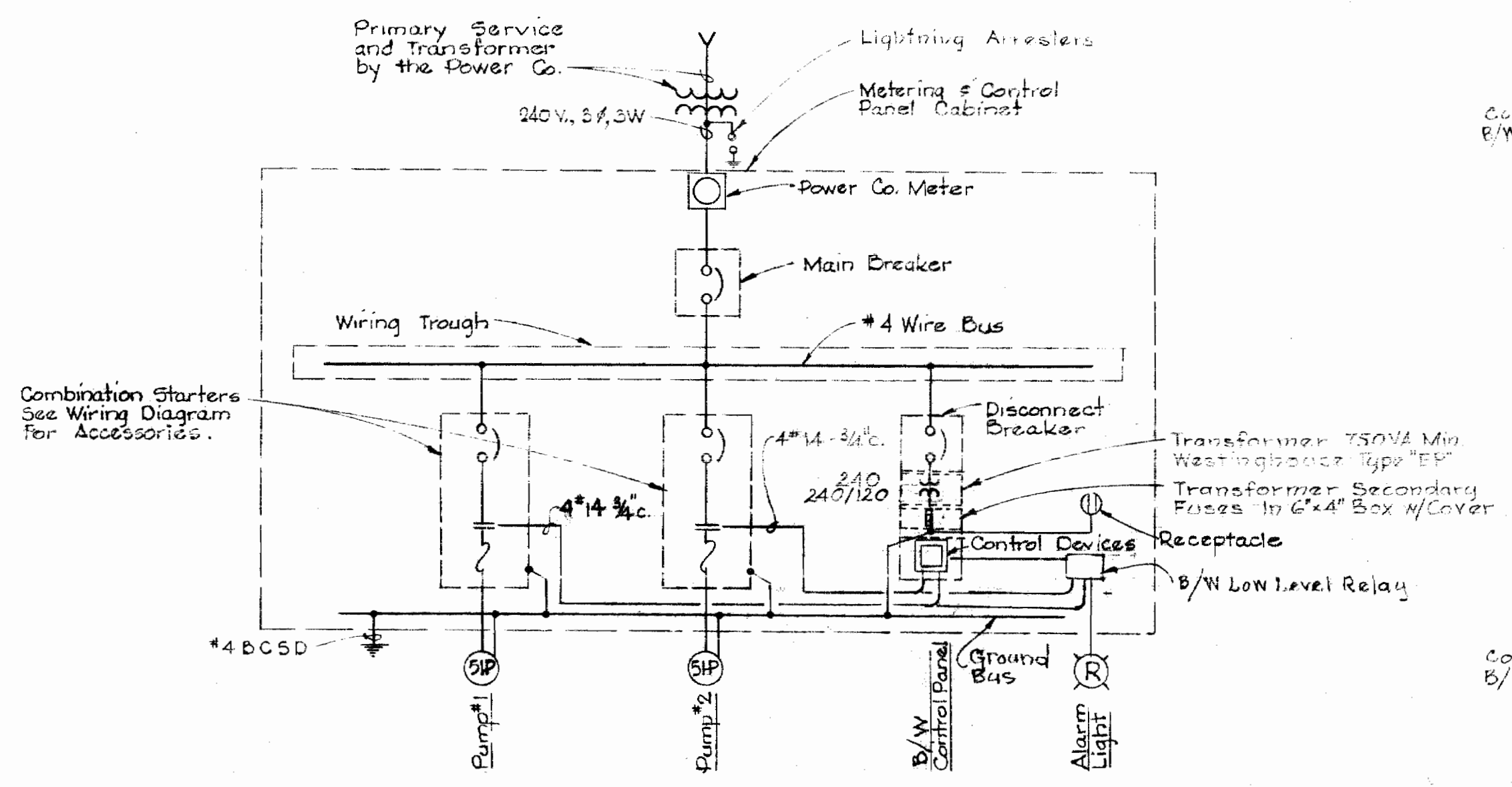
AS BUILT 14 SEPT. 1966

F.D. 3355 3056

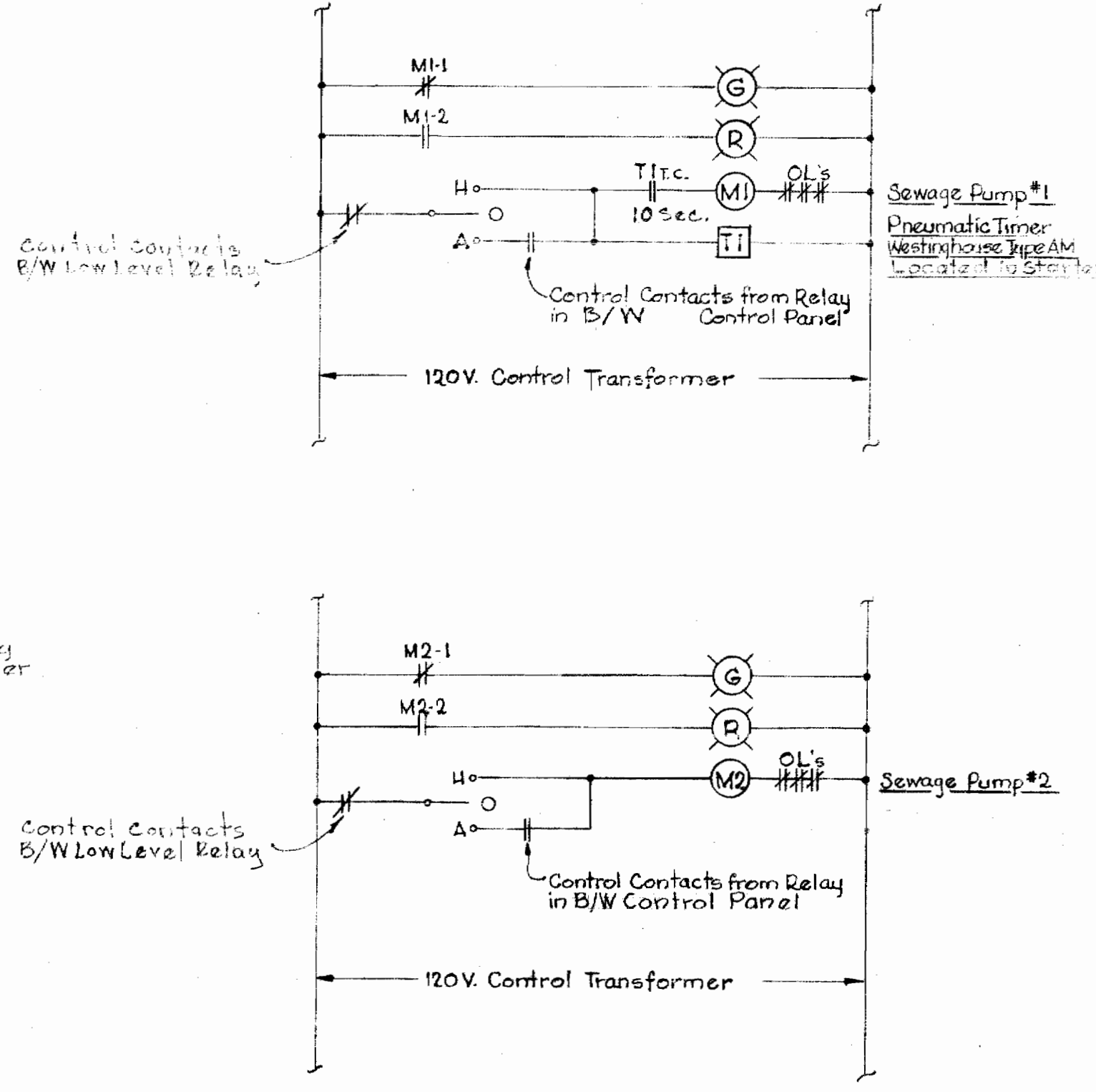
WS 149-S/1



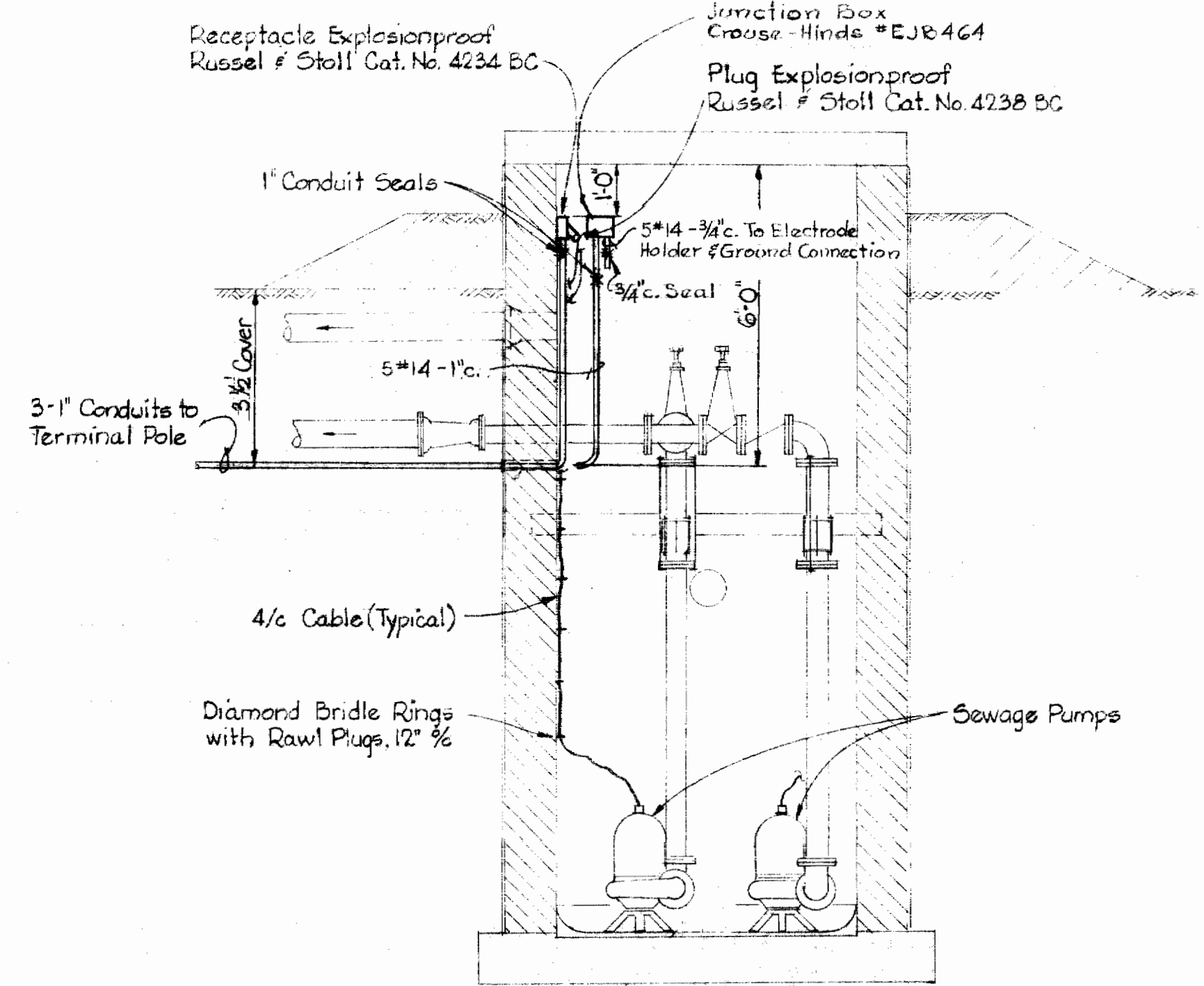
PLAN - BELOW SLAB



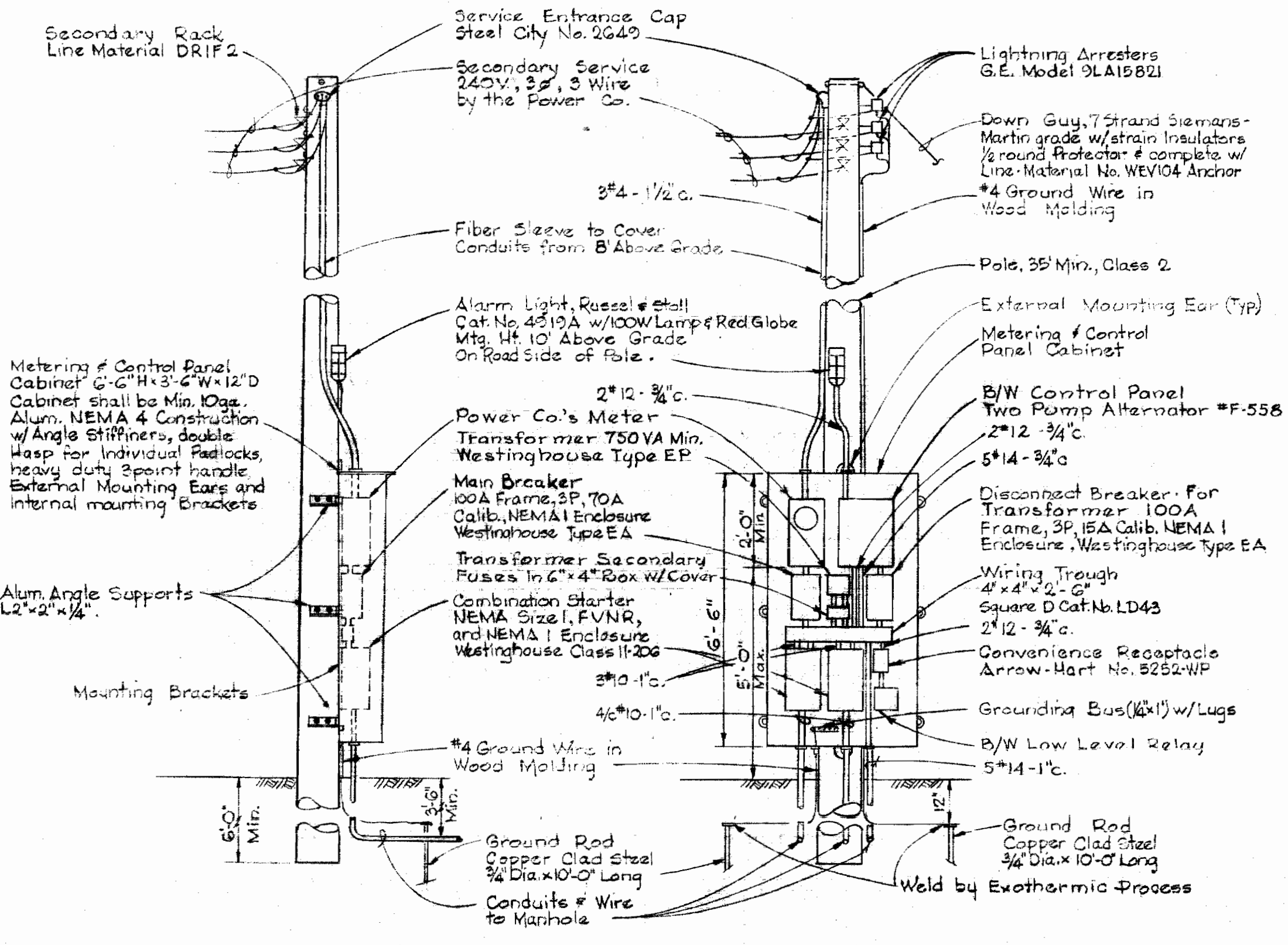
ONE LINE WIRING DIAGRAM



ELEMENTARY CONTROL WIRING DIAGRAMS



SECTION "A-A"



SIDE ELEVATION FRONT ELEVATION

TERMINAL POLE DETAIL

ELECTRICAL SPECIFICATIONS

- The entire Electrical System shall be installed in strict accordance with all local and state building codes and the latest edition of the National Electrical Code. The complete installation shall be tested, adjusted, and operated by the Contractor to the satisfaction of the Owner and in the presence of the Engineer. The Contractor shall guarantee the electrical installation and equipment provided by him for a period of one (1) year following the date of acceptance by the Owner. The Contractor shall obtain all permits required, without additional cost to the Owner.
- All conduits shall be rigid heavy wall, hot-dipped galvanized minimum 3/4" diameter.
- Multi-conductor cables shall be General Electric Type SI 58145 or other approved equal.
- Wire sizes shall be as indicated on the drawings and no wire shall be smaller than No. 14 AWG.
- Underground conduits shall be made watertight and shall be painted with two coats of plasticized coal tar enamel or other approved equal.
- Building type wire shall be type THW and shall be installed in conduit.
- The Baltimore Gas and Electric Company will provide secondary electric service. The Contractor shall make all arrangements for and assist Owner as required in applying for the service. The service installation shall be made in strict accordance with the rules and regulations of the Power Company.
- Items or materials as specified by trademark with or without the addition of such expressions as "or approved equal" it is to be understood that the item or material named or the equal thereof is intended, subject to the approval of the Engineer.
- Shop drawings for all Electrical items shall be submitted to the Engineer for approval before fabrication and/or installation.



Whiskey Bottom Road
Sewage Pumping Station
Contract N° 149-S

WHITMAN, REQUARDT & ASSOCIATES
ENGINEERS
1304 ST. PAUL ST.
BALTIMORE, MARYLAND

HOWARD COUNTY METROPOLITAN COMMISSION
4-22-66
DATE
W. O. Peltus
CHIEF ENGINEER

CONTRACT NO. 149-S

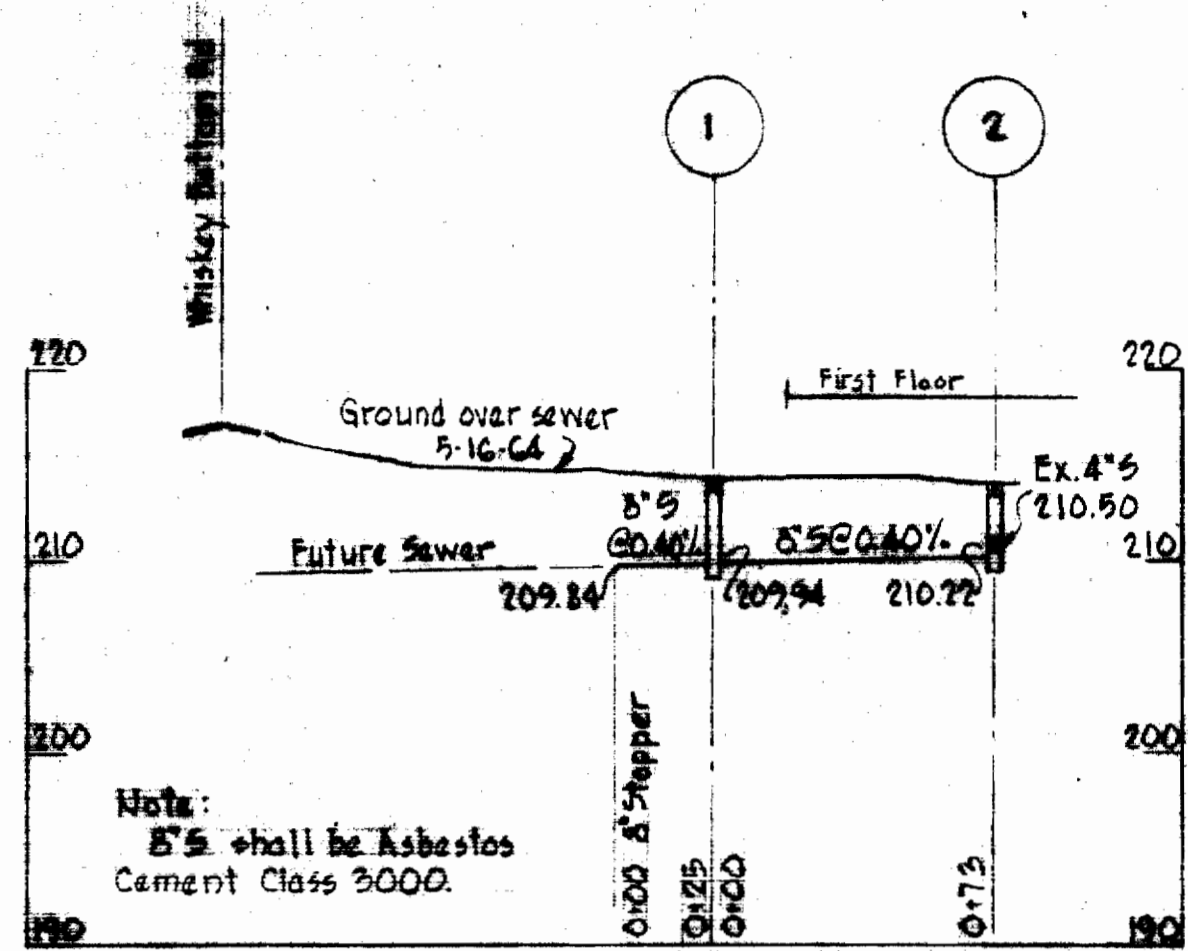
PUMPING STATION
ELECTRICAL DETAILS

PATUXENT SUB-DISTRICT

DRAWING NO. 2 OF 2 SCALE AS SHOWN

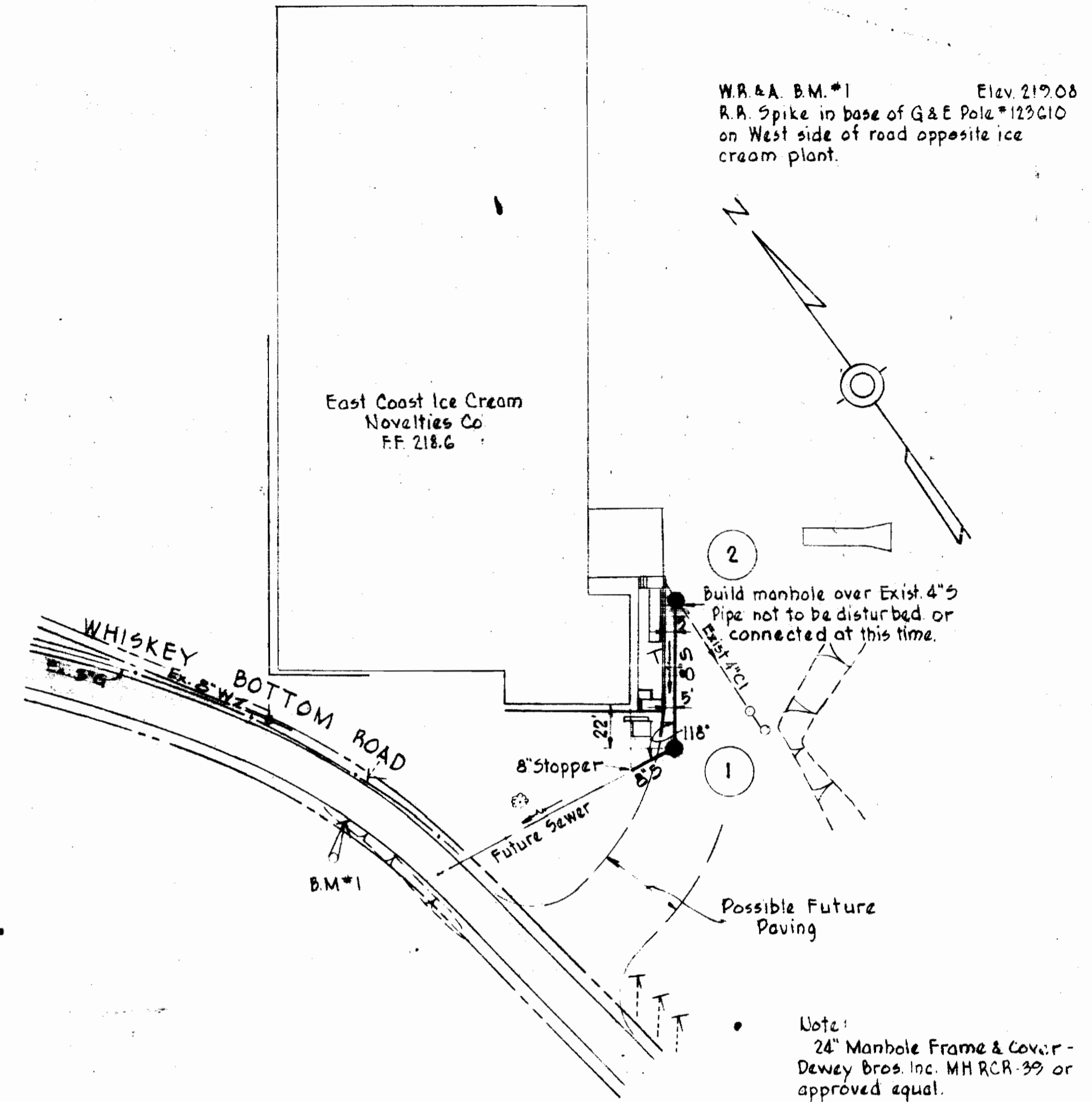
WS 149-S/2

49 S EAST COAST ICE CREAM



Note:
8" shall be Asbestos
Cement Class 3000.

PROFILE
Scale Vert. 1"=10'
Horz. 1"=50'



Note:
24" Manhole Frame & Cover -
Dewey Bros. Inc. MH RCR-39 or
approved equal.

PLAN
Scale 1"=50'

SDP 77-83

147-10
147-5
149-5

WHITMAN, REQUARDT & ASSOCIATES
ENGINEERS
BALTIMORE, MARYLAND
NO 4699-1

8" SEWER EXTENSION
EAST COAST ICE CREAM NOVELTIES CO.
HOWARD COUNTY MARYLAND

DRAWING 1 of 1

MAY 19, 1964

FB 2584
AL ME 10-1