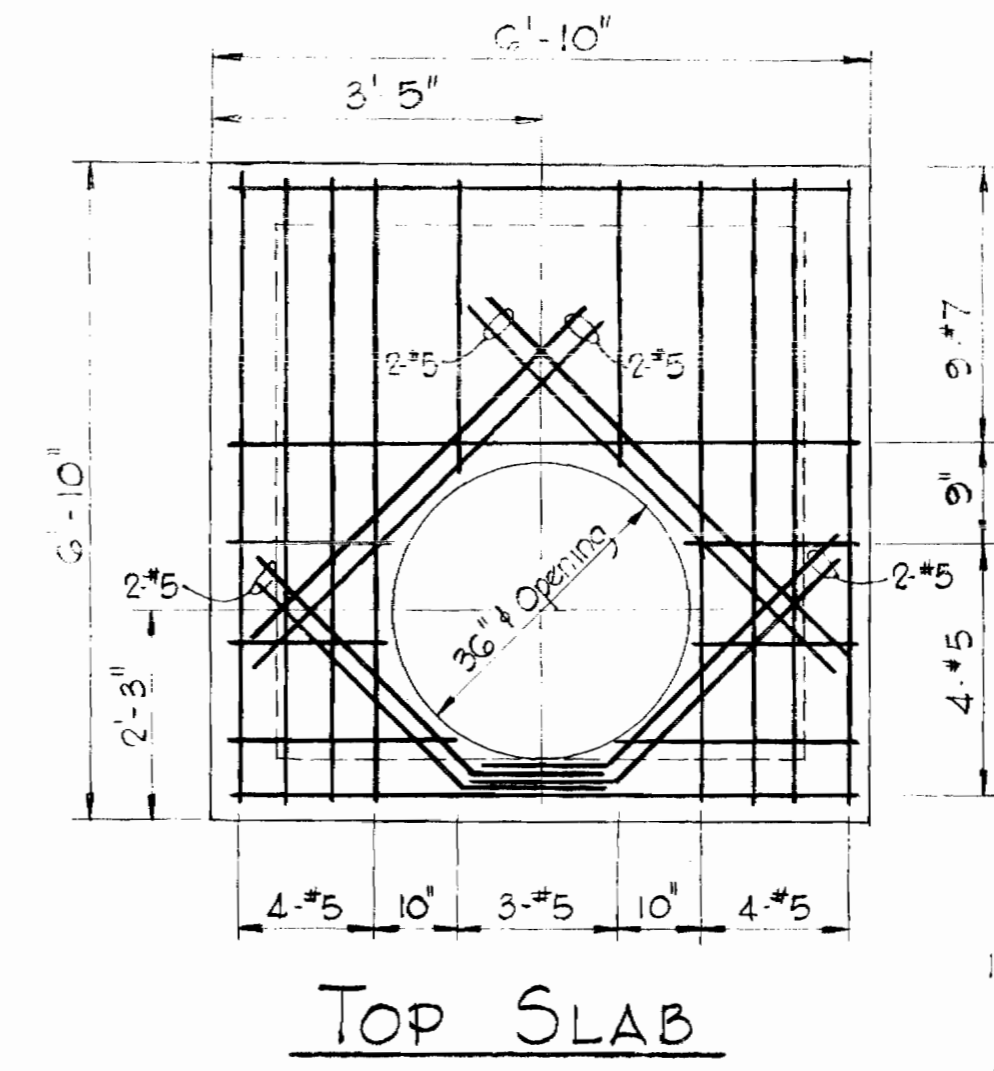
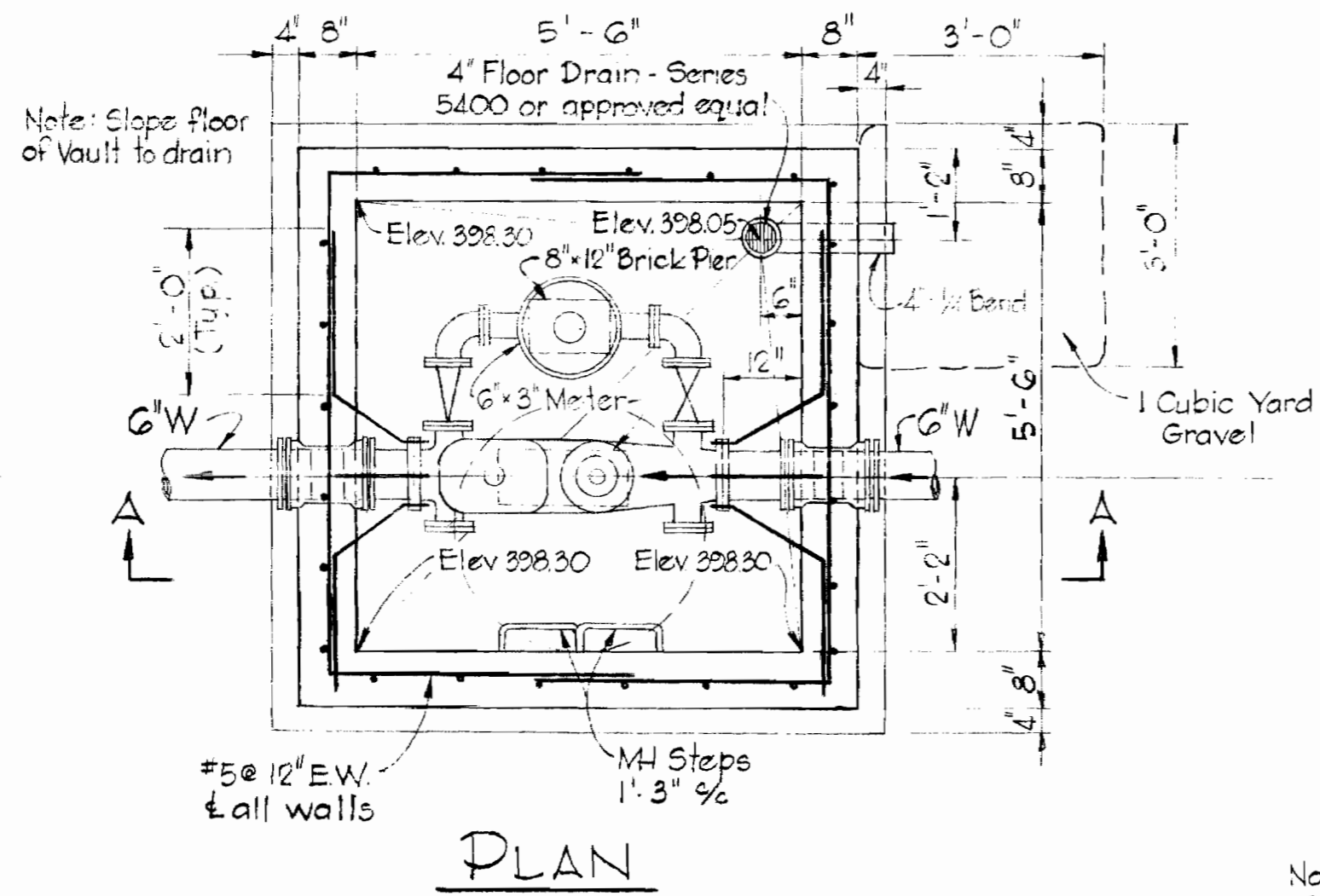
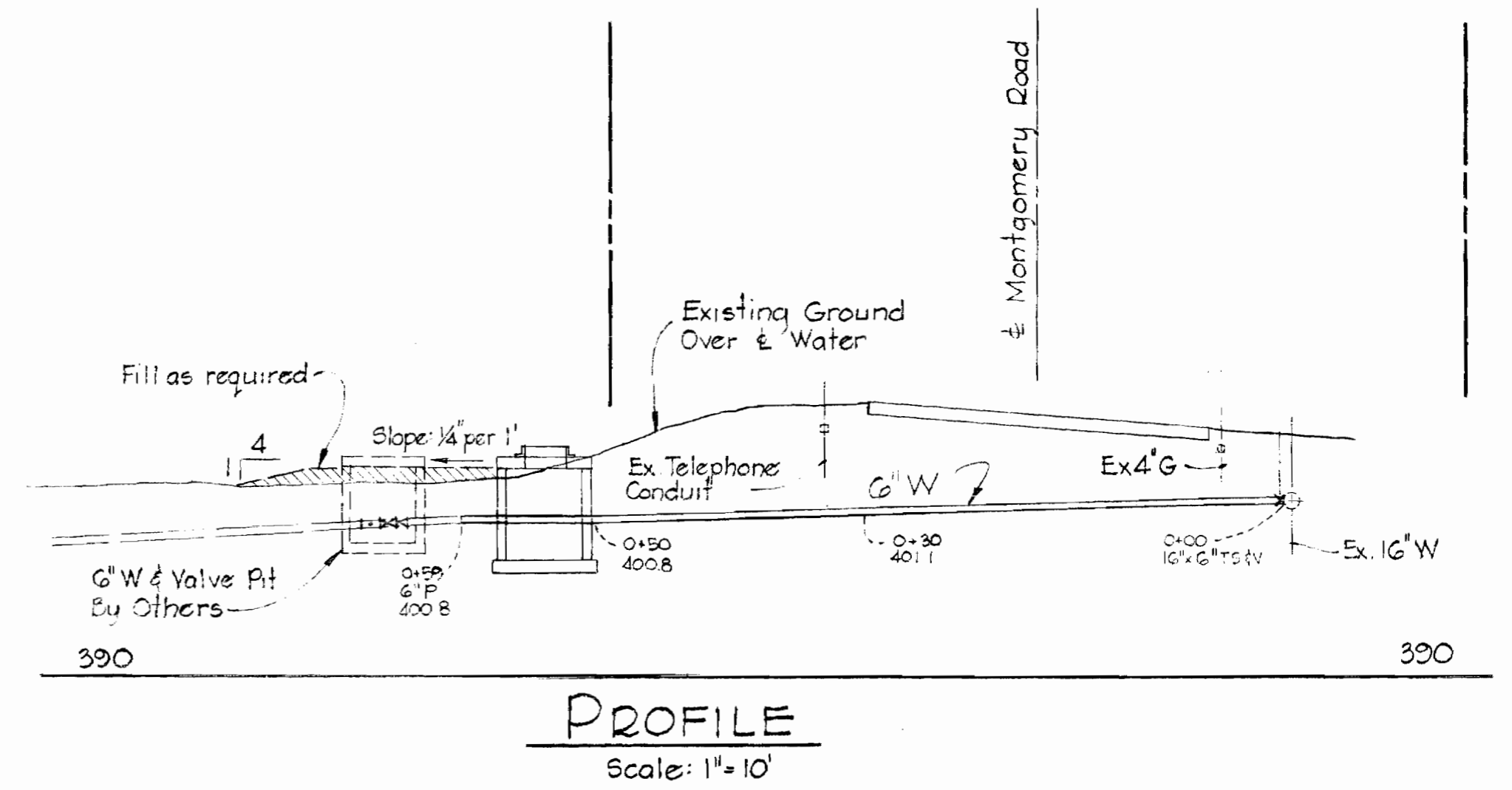
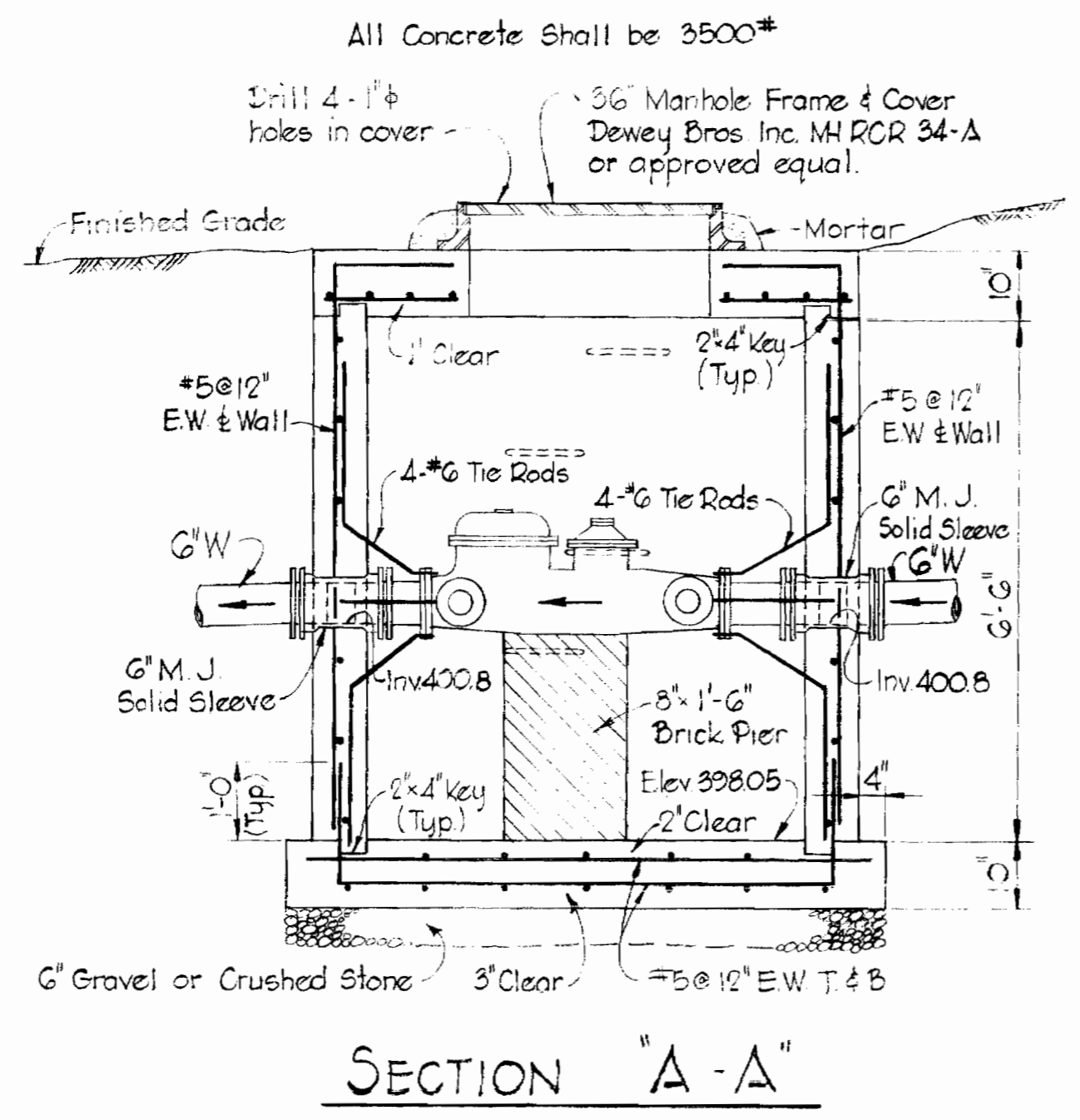
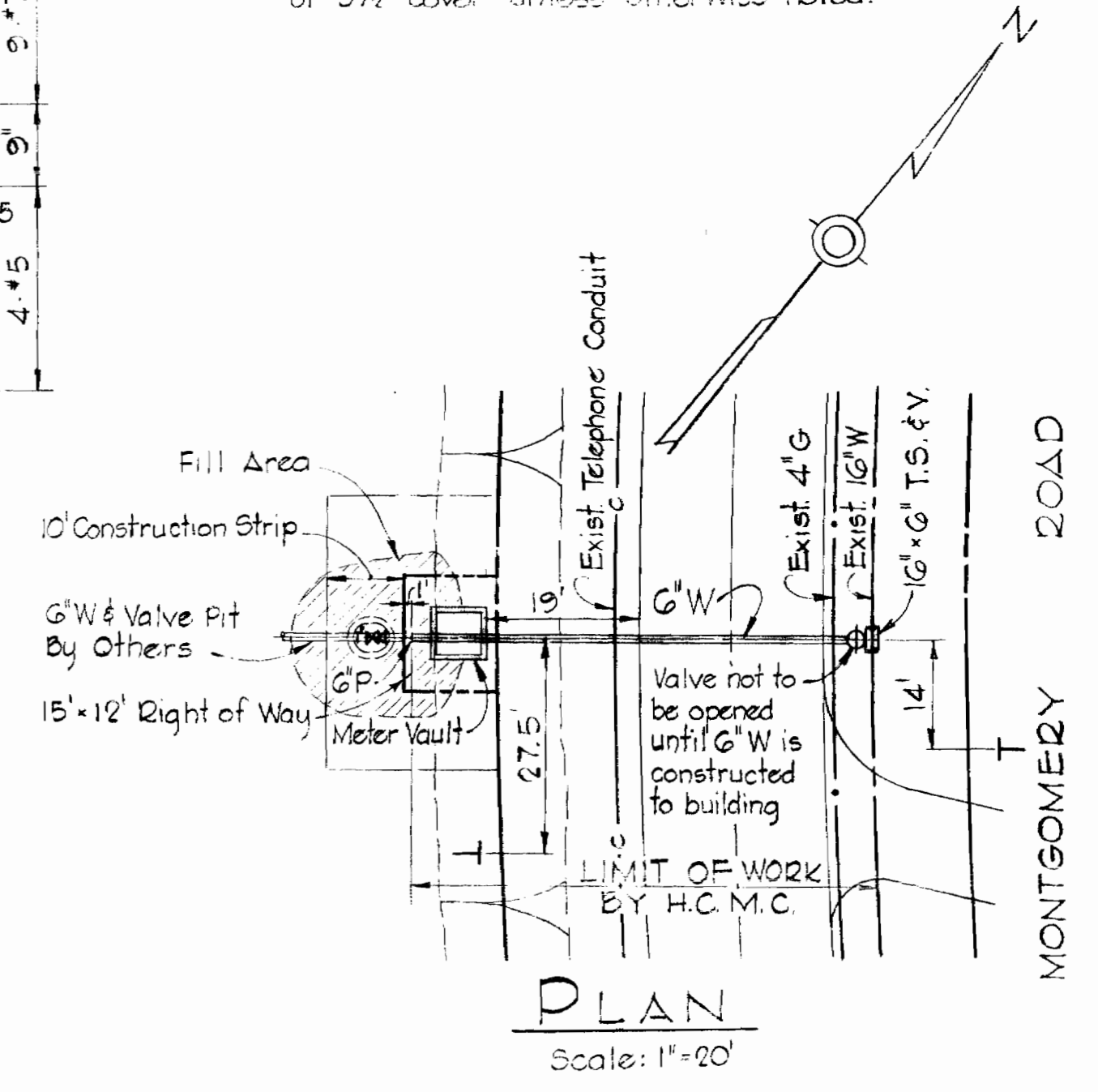


GENERAL NOTES

1. All pipe elevations shown are invert elevations.
2. Block all fittings with concrete if required, see Standard Details.
3. All G.W. to be Class 22 CIP, and have a minimum of 3 1/2' cover unless otherwise noted.



Note:
 6" x 3" Meter shall be set before constructing Top Slab
 6" F.M. Meter with 3" CT Bu Pass shall be Hersey Mfg. Co. or Approved Equal.



WHITMAN, REQUARDT & ASSOCIATES
 ENGINEERS
 BALTIMORE, MARYLAND

6" x 3" METER VAULT
 Scale: 1/2" = 1'-0"

WATER METER VAULT FOR THE
 SHAFER'S CONVALESCENT RETREAT
 HOWARD COUNTY METROPOLITAN COMMISSION
 CONTRACT NO 144-W
 ELLICOTT CITY SUB-DISTRICT
 DRAWING 1 OF 1 APRIL 19, 1966

144-W/1