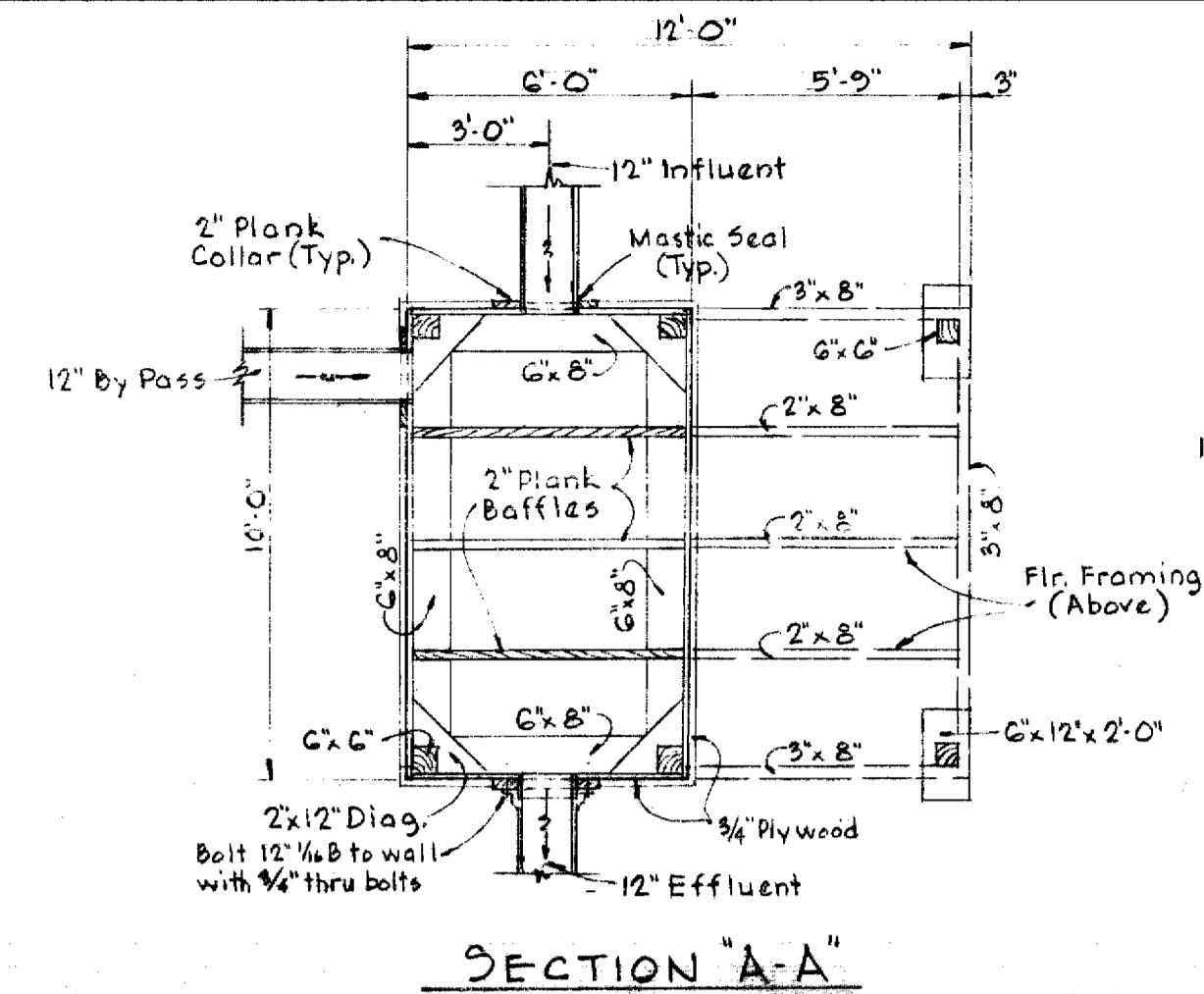


LOCATION PLAN
Scale 1"=60'

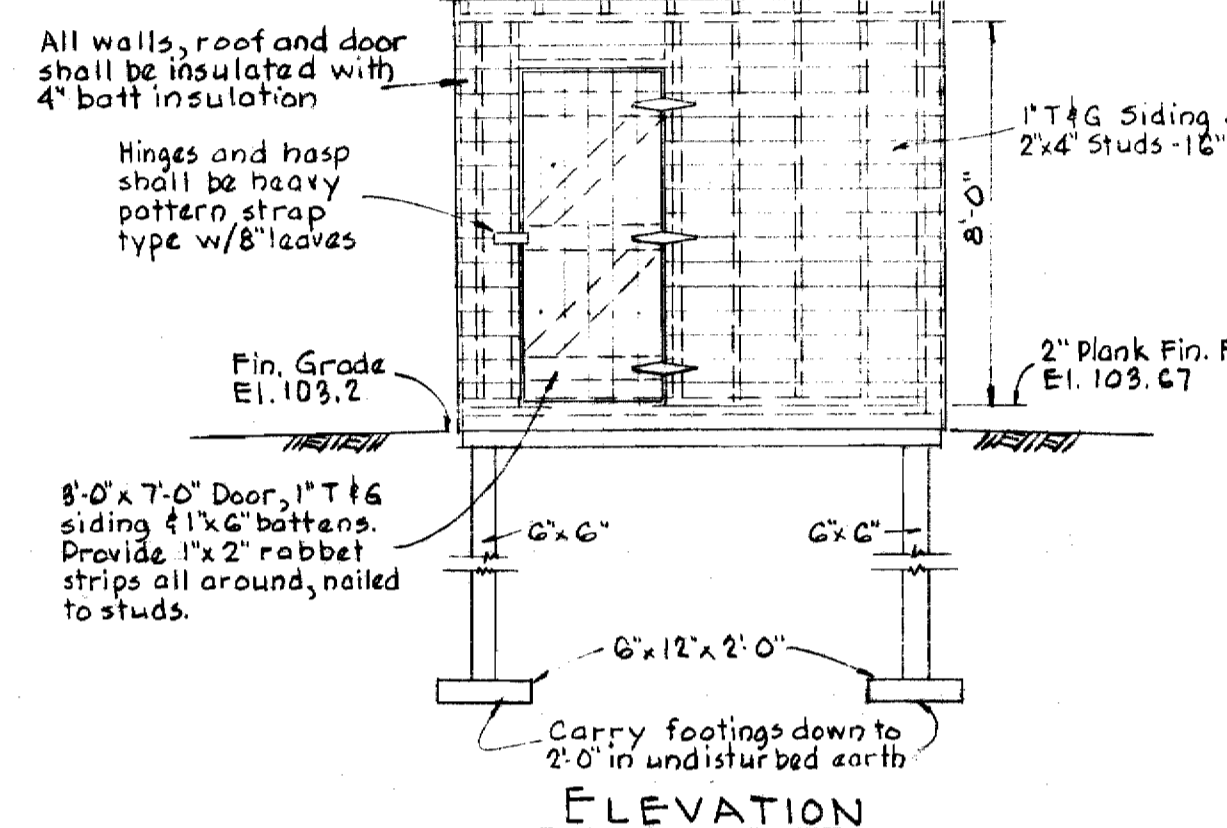
GENERAL NOTES

1. All pipe elevations shown are invert.
2. For all standard details, see standards bound in Specifications
3. Block all fittings with concrete, see standard details

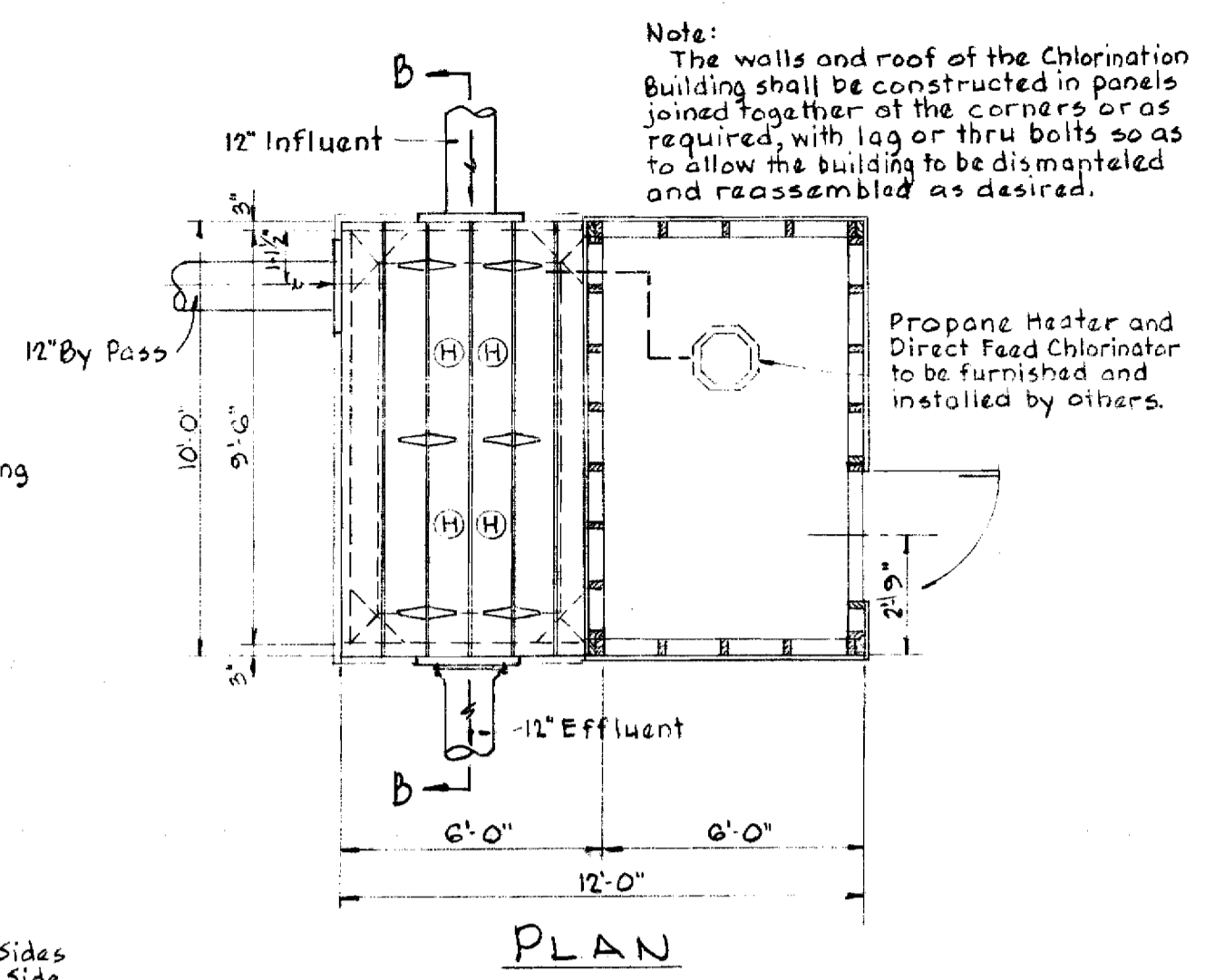


SECTION 'A-A'

Roof to be covered with 2 ply tar paper laid in hot tar. All lags shall be nailed, and a hot tar mop coat applied over the covering.

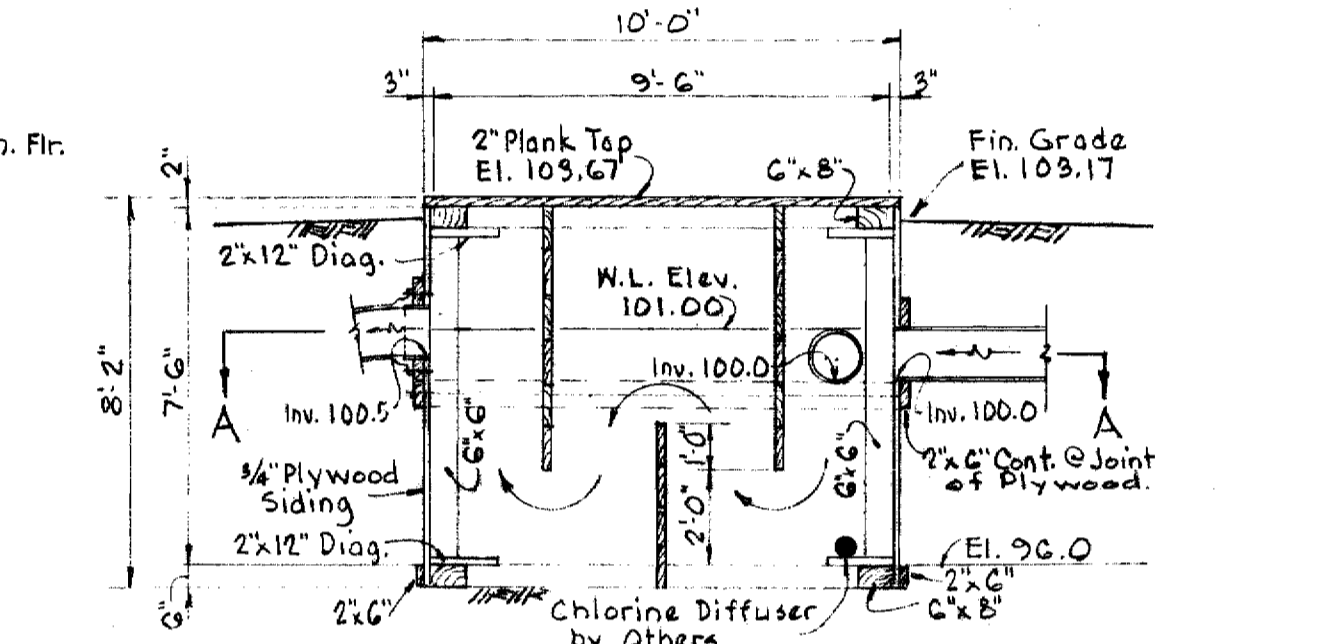


ELEVATION



PLAN

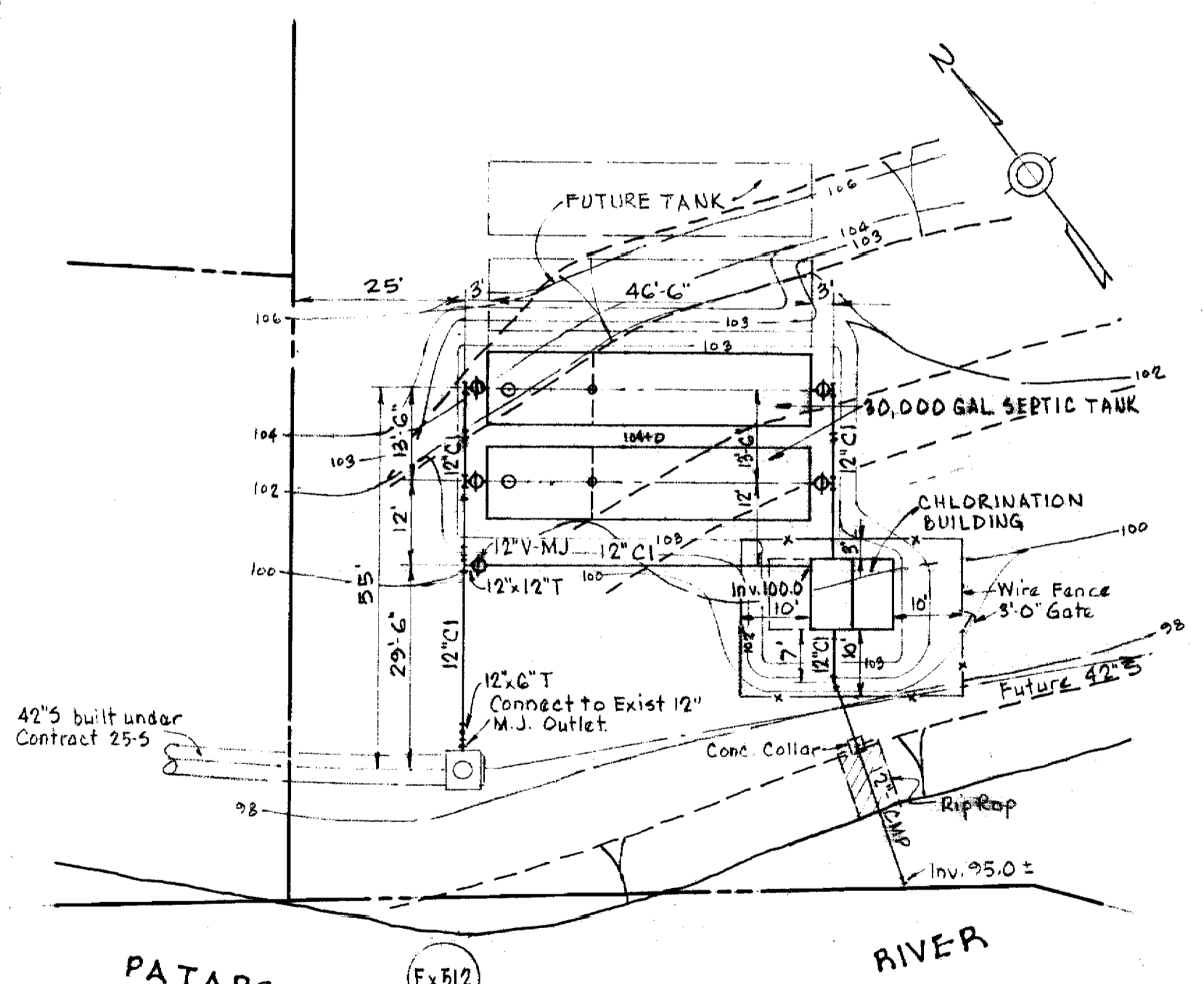
Note: The walls and roof of the Chlorination Building shall be constructed in panels joined together at the corners or as required, with lag or thru bolts so as to allow the building to be dismantled and reassembled as desired.



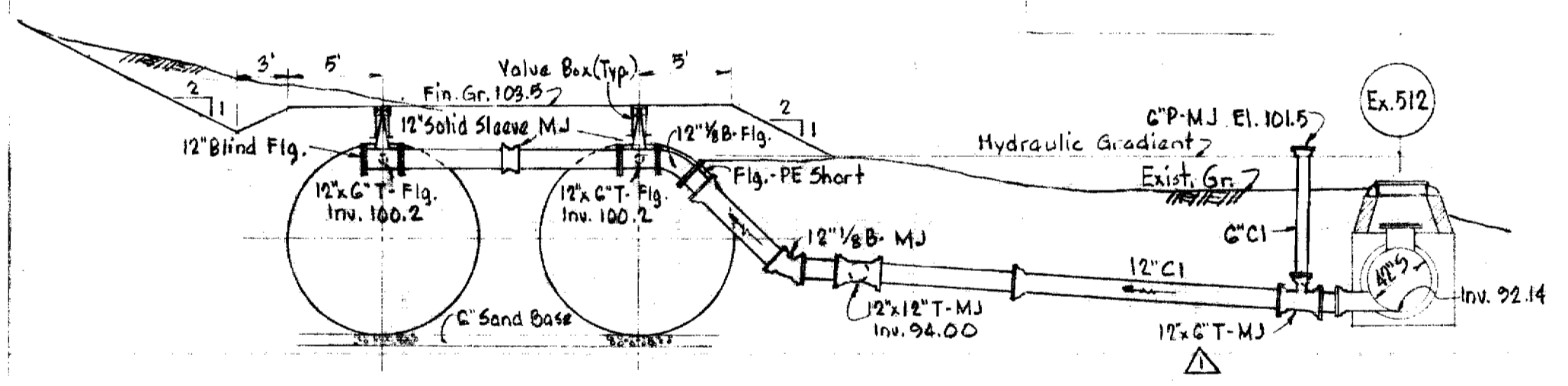
SECTION 'B-B'

CHLORINATION CHAMBER

Scale 1/4"=1'-0"

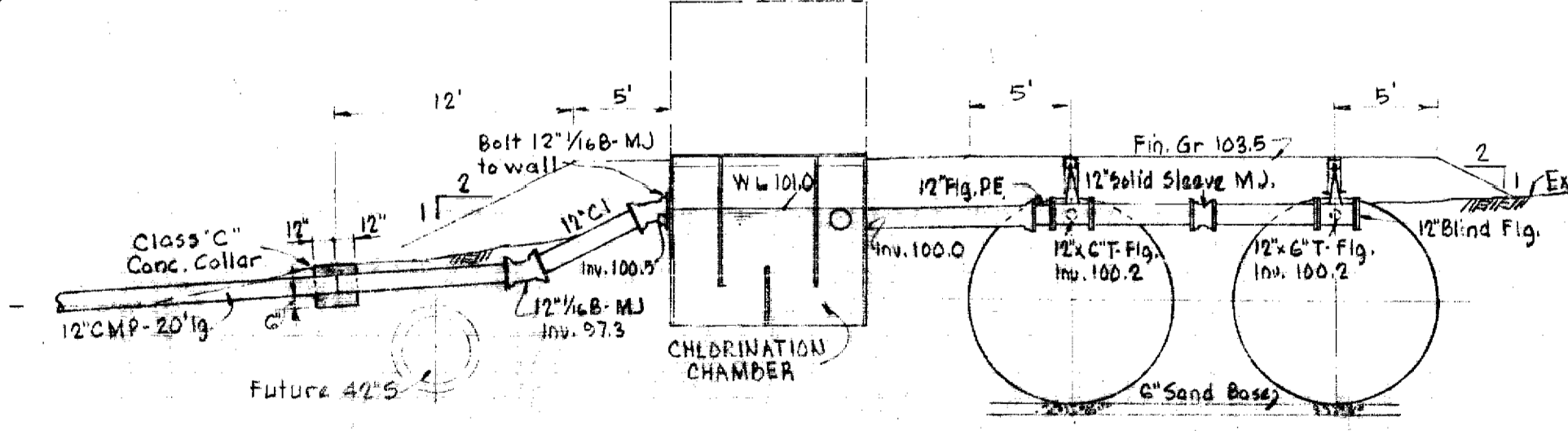


SITE PLAN
Scale 1"=20'



WEST ELEVATION

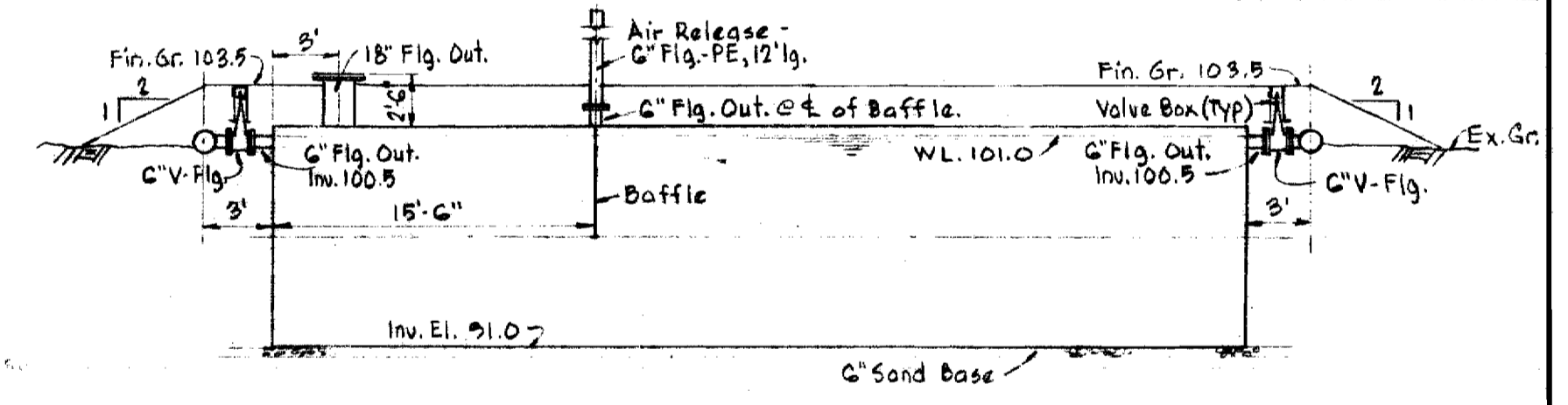
NOTE: The steel tanks must be filled with water after installation to prevent flotation.



EAST ELEVATION

DETAILS OF 30,000 GALLON SEPTIC TANKS

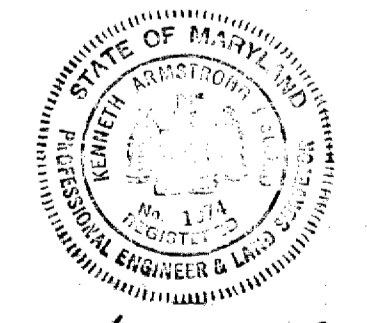
Scale 1/8"=1'-0"



SECTION

DESIGN DATA

SEWAGE QUANTITY
1200 per @ 90 gal/per/da = 102,000 gal/da = 112 gpm
SEPTIC TANKS
Volume: 2 @ 30,000 gal = 60,000 gal.
Detention Time = 8.5 hours
CHLORINE TANK
Volume = 2,250 gal.
Detention Time @ 112 gpm = 20 min.



Kenneth W. Clark

1	11-22-65	12" G.T. & 6" CI River added.
N ^o	Date	Revision

Contract No. 95-S

WHITMAN, REQUARDT & ASSOCIATES ENGINEERS 1304 ST. PAUL ST. BALTIMORE, MARYLAND	HOWARD COUNTY METROPOLITAN COMMISSION 10-13-65 W. O. Libbert CHIEF ENGINEER	CONTRACT NO. 95-S	SEWAGE TREATMENT PLANT SITE PLAN & DETAILS	ELLCOTT CITY SUB-DISTRICT	DRAWING NO. 1 OF 1 SCALE AS SHOWN
---	--	-------------------	---	---------------------------	--------------------------------------

W. O. 4917-2

REV. 22 OCT. 65

WS 95S/1