

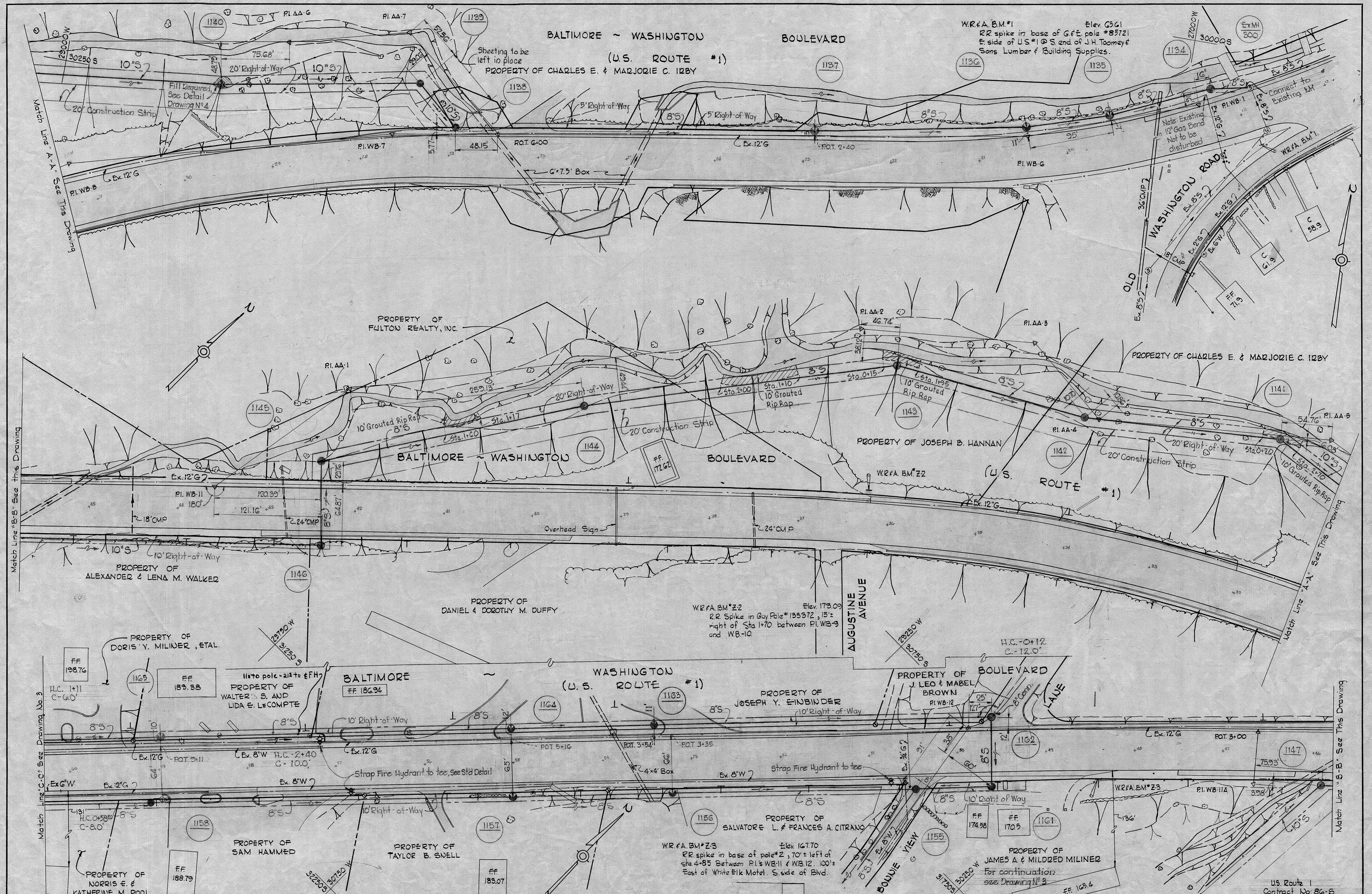
CONTRACT 86 S

SEWER MAIN EXTENSIONS

HOWARD COUNTY METROPOLITAN COMMISSION HOWARD COUNTY, MARYLAND

WHITMAN, REQUARDT & ASSOCIATES ENGINEERS 1304 ST. PAUL ST. BALTIMORE, MARYLAND	HOWARD COUNTY METROPOLITAN COMMISSION 21 Sept. 1964 <small>DATE</small> <i>W. O. Felbert</i> <small>CHIEF ENGINEER</small>	CONTRACT NO. 86-S	LOCATION MAP	ELECTION DISTRICT ELKRIDGE NO. 1	Contract No 86-5 DRAWING NO. 1 OF 4 SCALE AS SHOWN
---	--	-------------------	--------------	-------------------------------------	--

1/5 98 SM



WHITMAN, REQUARDT & ASSOCIATES
 ENGINEERS
 1304 ST. PAUL ST.
 BALTIMORE, MARYLAND

HOWARD COUNTY METROPOLITAN COMMISSION
 9-2-66
 DATE

CONTRACT NO. 86-S

PLAN OF SEWER MAINS

ELECTION DISTRICT ELKRIE NO. 1

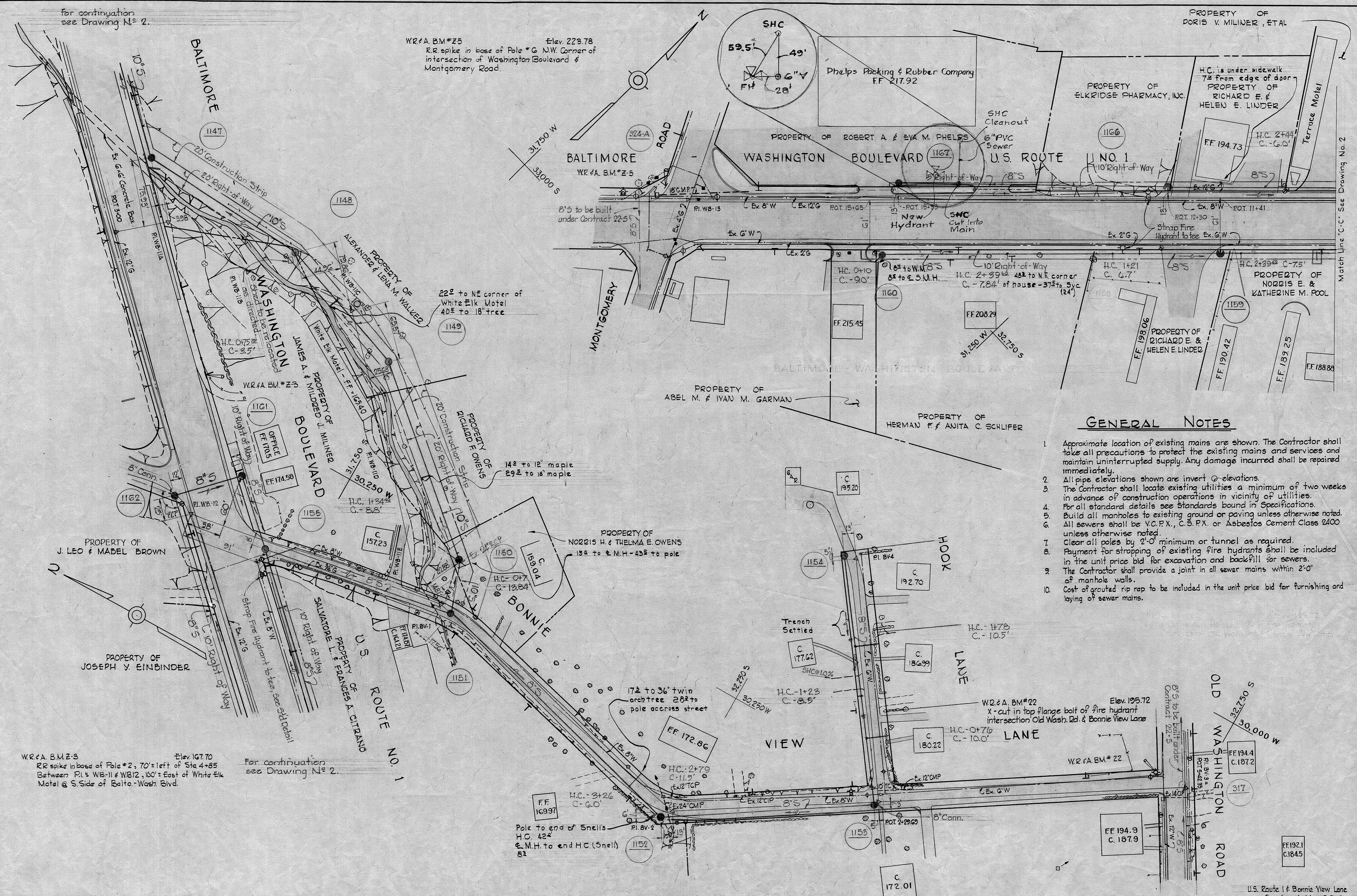
DRAWING NO. 2 OF 4
SCALE 1"=50'

W. O. 4929-2

AS BUILT AUG 22, 67

WS 86S/2

For continuation see Drawing N^o 2.



WR & A. BM #25 Elev. 229.78
R.R. spike in base of Pole #2 N.W. Corner of intersection of Washington Boulevard & Montgomery Road.

PROPERTY OF DORIS V. MILNER, ETAL

PROPERTY OF ELKRIDGE PHARMACY, INC.

PROPERTY OF RICHARD E. & HELEN E. LINDER

PROPERTY OF ROBERT A. & EVA M. PHELPS

PROPERTY OF NORRIS E. & KATHERINE M. POOL

PROPERTY OF ABEL M. & IVAN M. GARMAN

PROPERTY OF HERMAN F. & ANITA C. SCHLIFER

PROPERTY OF J. LEO & MADEL BROWN

PROPERTY OF JOSEPH Y. EINBINDER

PROPERTY OF NORRIS H. & THELMA E. OWENS

For continuation see Drawing N^o 2.

WR & A. BM #3 Elev. 167.70
R.R. spike in base of Pole #2, 70' left of Sta 4+85 Between P.I. & W.B. #11 & W.B. #12, 150' East of White Elk Motel @ S. Side of Balto.-Wash. Blvd.

GENERAL NOTES

1. Approximate location of existing mains are shown. The Contractor shall take all precautions to protect the existing mains and services and maintain uninterrupted supply. Any damage incurred shall be repaired immediately.
2. All pipe elevations shown are invert @ elevations.
3. The Contractor shall locate existing utilities a minimum of two weeks in advance of construction operations in vicinity of utilities.
4. For all standard details see standards bound in Specifications.
5. Build all manholes to existing ground or paving unless otherwise noted.
6. All sewers shall be V.C.P.X., C.S.P.X. or Asbestos Cement Class 2400 unless otherwise noted.
7. Clear all poles by 2'-0" minimum or tunnel as required.
8. Payment for strapping of existing fire hydrants shall be included in the unit price bid for excavation and backfill for sewers.
9. The Contractor shall provide a joint in all sewer mains within 2'-0" of manhole walls.
10. Cost of grouted rip rap to be included in the unit price bid for furnishing and laying of sewer mains.

Match Line 'C-C' See Drawing No. 2

U.S. Route 1 & Bonnie View Lane Contract No. 86-S

<p>WHITMAN, REQUARDT & ASSOCIATES ENGINEERS 1304 ST. PAUL ST. BALTIMORE, MARYLAND</p>	<p>HOWARD COUNTY METROPOLITAN COMMISSION DATE 9.2.66 W. O. Schmitt CHIEF ENGINEER</p>	<p>CONTRACT NO. 86-S</p>	<p>PLAN OF SEWER MAINS</p>	<p>ELECTION DISTRICT ELKRIDGE NO. 1</p>	<p>DRAWING NO. 3 OF 4 SCALE 1" = 50'</p>
---	---	--------------------------	----------------------------	---	--

W. O. 4929-2

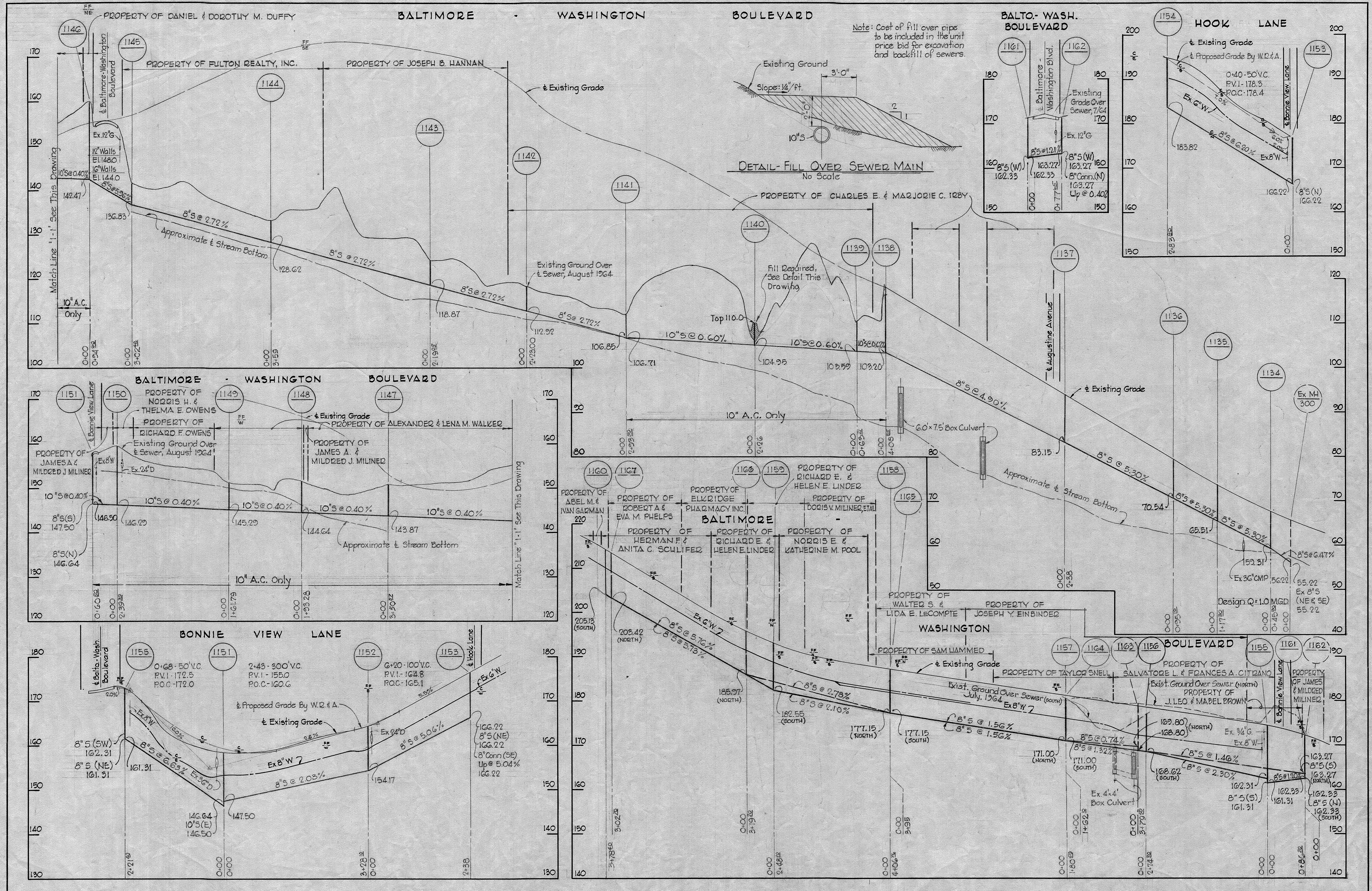
WRA 11/1/22 New Hydrant (As Built)

AS BUILT AUG 22, 67

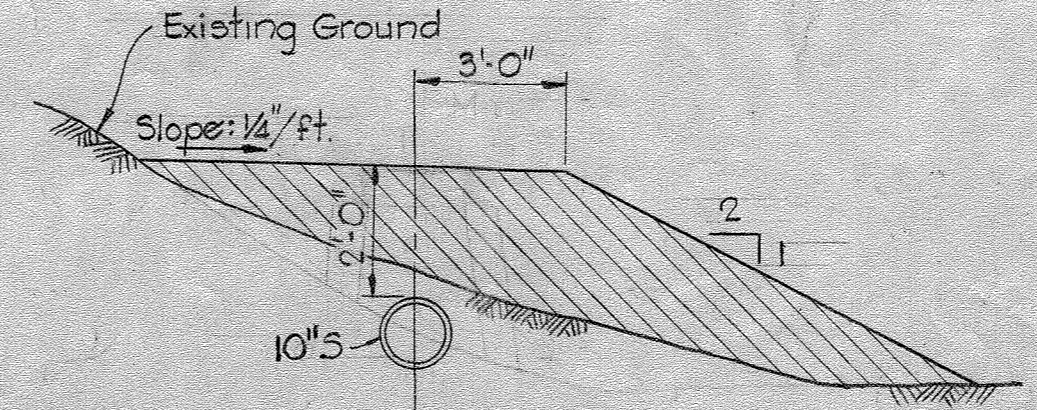
F.B. 2530, 3211, 3212, 3213

WS 865/3

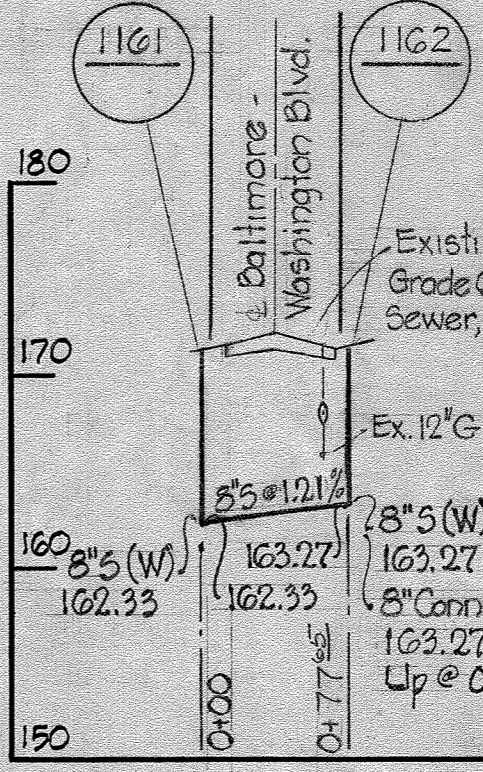
WS 86/S/4



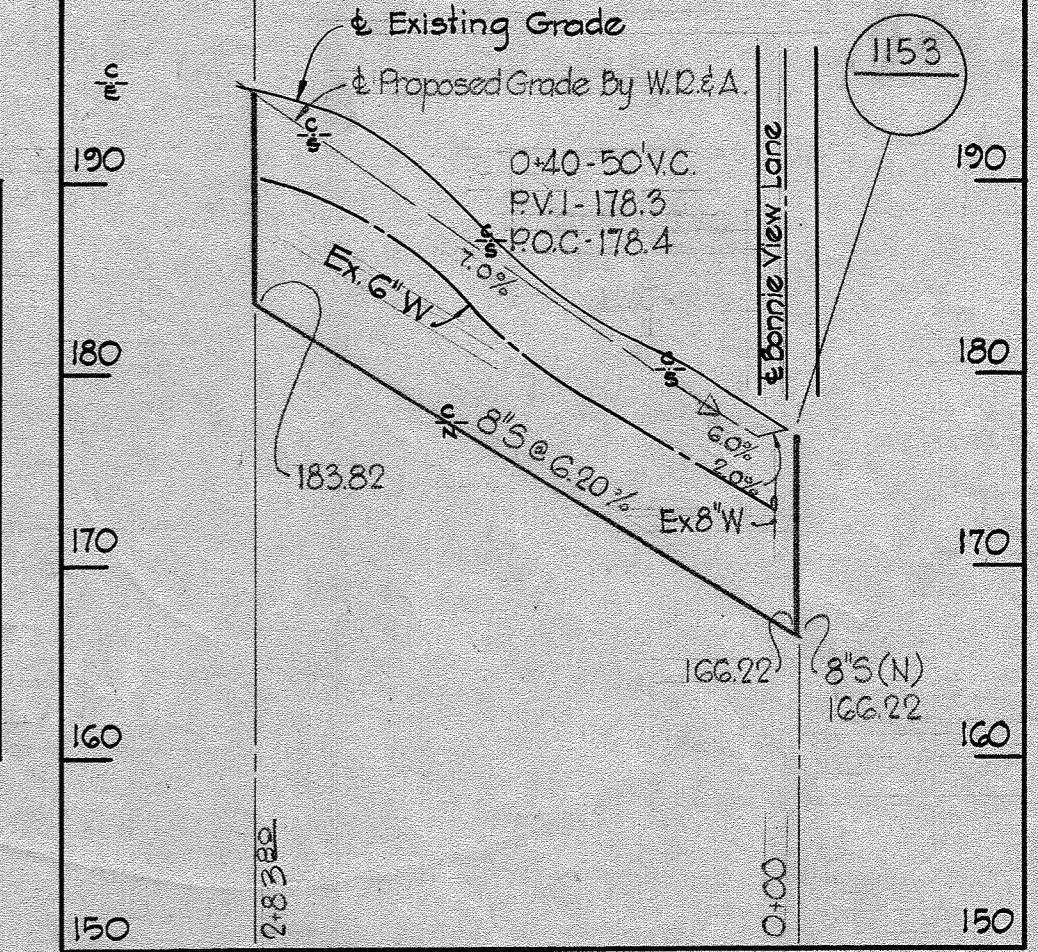
DETAIL - FILL OVER SEWER MAIN
No Scale



BALTO.- WASH. BOULEVARD



HOOK LANE



WHITMAN, REQUARDT & ASSOCIATES
ENGINEERS
1304 ST. PAUL ST.
BALTIMORE, MARYLAND

HOWARD COUNTY METROPOLITAN COMMISSION
9-2-61
DATE
W. O. F. [Signature]
CHIEF ENGINEER

CONTRACT NO. 86-S

PROFILE OF SEWER MAINS

ELECTION DISTRICT ELKRIDGE NO. 1

CONTRACT NO. 86-S
DRAWING NO. 4 OF 4
SCALE H:1"=100' V:1"=10'