

TEMPORARY SEEDING NOTES

A. **SEEDBED PREPARATION** - Loosen upper 3 inches of soil by disking, raking, or other acceptable means.

B. **SOIL AMENDMENTS** - Apply 600 lbs. (15 lbs./1000 sq.ft.) of 10-20-10 fertilizer.

C. **SEEDING** - For periods March 1 thru April 30, and from August 15 thru November 15, seed with 2 1/2 bushels per acre (3.2 pounds/1000 sq.ft. of annual rye). For the period May 1 thru August 14 seed with 3 pounds per acre (0.07 lbs./1000 sq.ft.) with Weeping Lovegrass.

D. **MULCHING** - Apply 1.5 to 2 tons per acre (70 to 90 pounds per 1000 sq.ft.) of unrotted small grain straw immediately after seeding. Anchor mulch immediately after application using 200 gallons per acre (5 gallons per 1000 sq.ft.) of emulsified asphalt on flat areas. On slopes 8 feet or higher use 348 gallons per acre (8 gallons per 1000 sq.ft.).

PERMANENT SEEDING NOTES

A. **SEEDBED PREPARATION** - Loosen upper 3 inches of soil by raking, disking or other acceptable means before seeding.

B. **SOIL AMENDMENTS** - Apply 2 tons per acre dolomitic limestone (92 lbs./1000 sq.ft.) and 600 lbs per acre 0-20-20 fertilizer (14 lbs./1000 sq. ft.). Harrow or disc line and fertilizer into upper three inches of soil. At time of seeding, apply 400 lbs. per acre (99.2 lbs./1000 sq.ft.) of 38-0-0 ureaform fertilizer and 500 lbs. per acre (11.5 lbs./1000 sq.ft.) of 10-20-20 fertilizer.

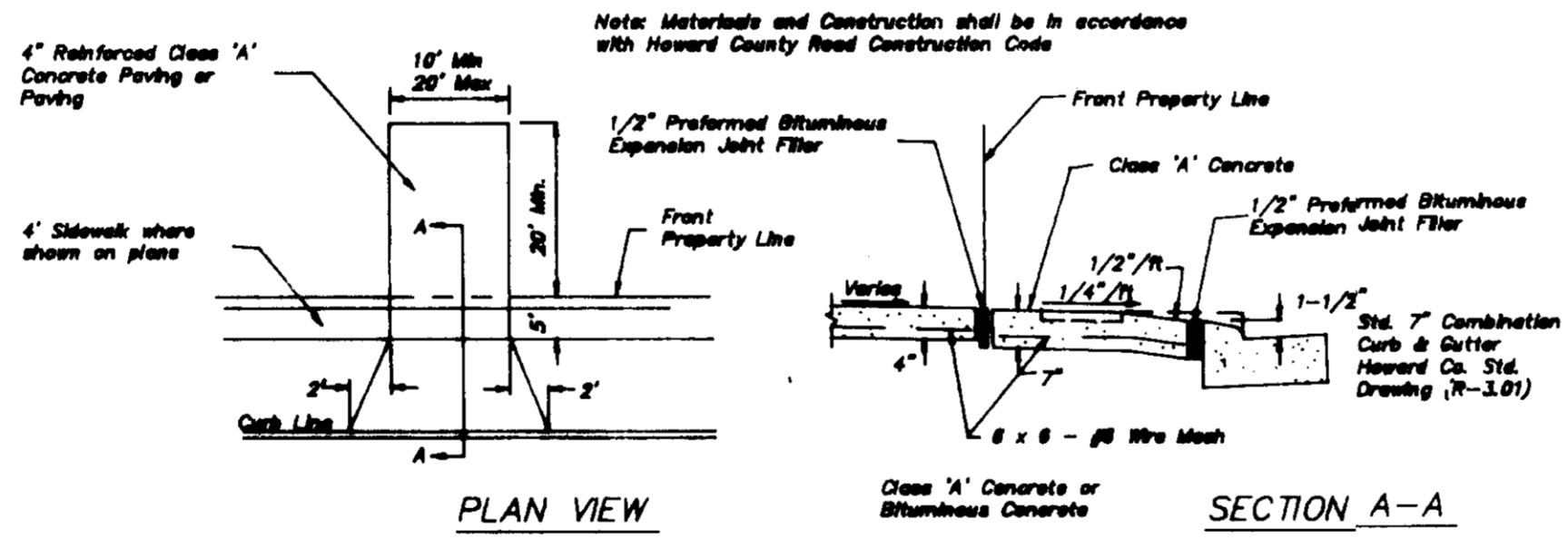
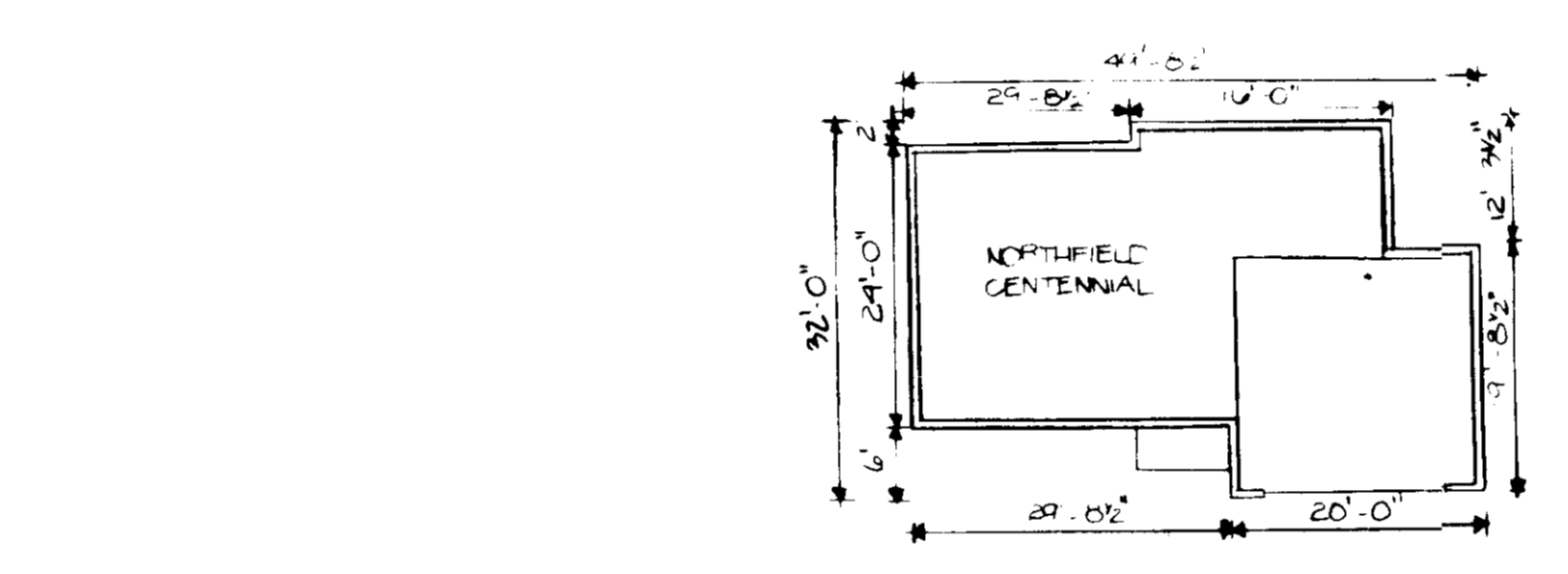
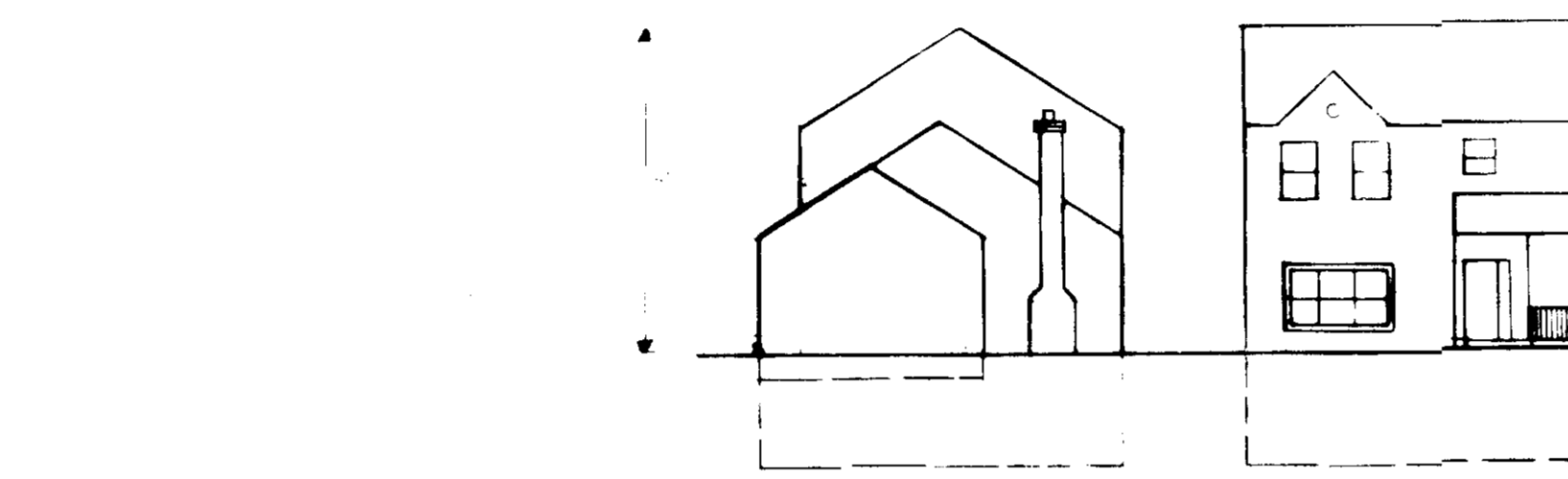
C. **SEEDING** - For the periods March 1 thru April 30, and August 1 thru October 15, seed with 60 lbs. per acre (1.4 lbs./1000 sq.ft.) of Kentucky 31 Tall Fescue. For the period May 1 thru July 31, seed with 60 lbs./1000 sq.ft.) of weeping lovegrass. During the period of October 16 thru February 28, protect site by Option (1) - 2 tons per acre of well anchored straw mulch and seed as soon as possible in the spring. Option (2) - Use sod. Option (3) - seed with 60 lbs. acre Kentucky 31 Tall Fescue and mulch with 2 tons/acre well anchored straw.

D. **MULCHING** - Apply 1-1.2 to 2 tons per acre (70 to 90 lbs./1000 sq.ft.) of unrotted small grain straw immediately after seeding. Anchor mulch immediately after application using 200 gallons per acre (5 gallons/1000 sq.ft.) of emulsified asphalt on flat areas. On slopes 8 feet or higher, use 348 gallons per acre (8 gallons/1000 sq.ft.) for anchoring.

E. **MAINTENANCE** - Inspect all seeded areas and make needed repairs, replacements, and reseeds.

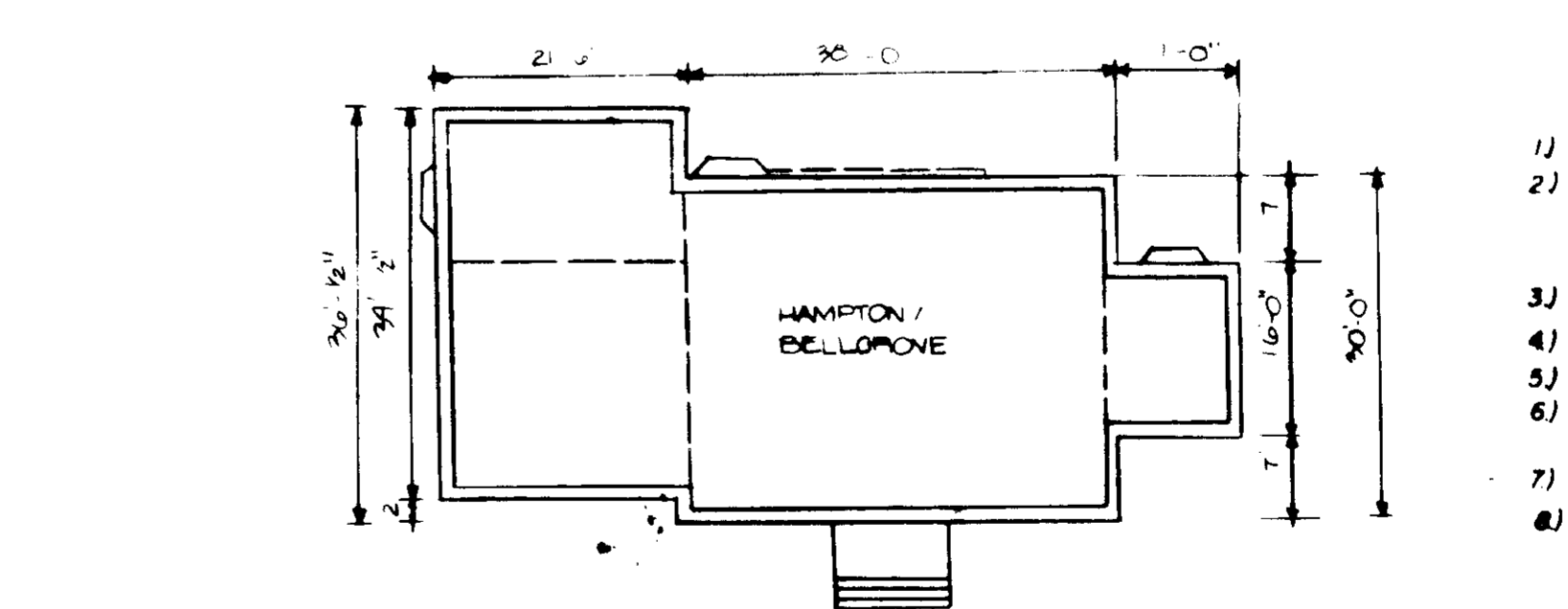
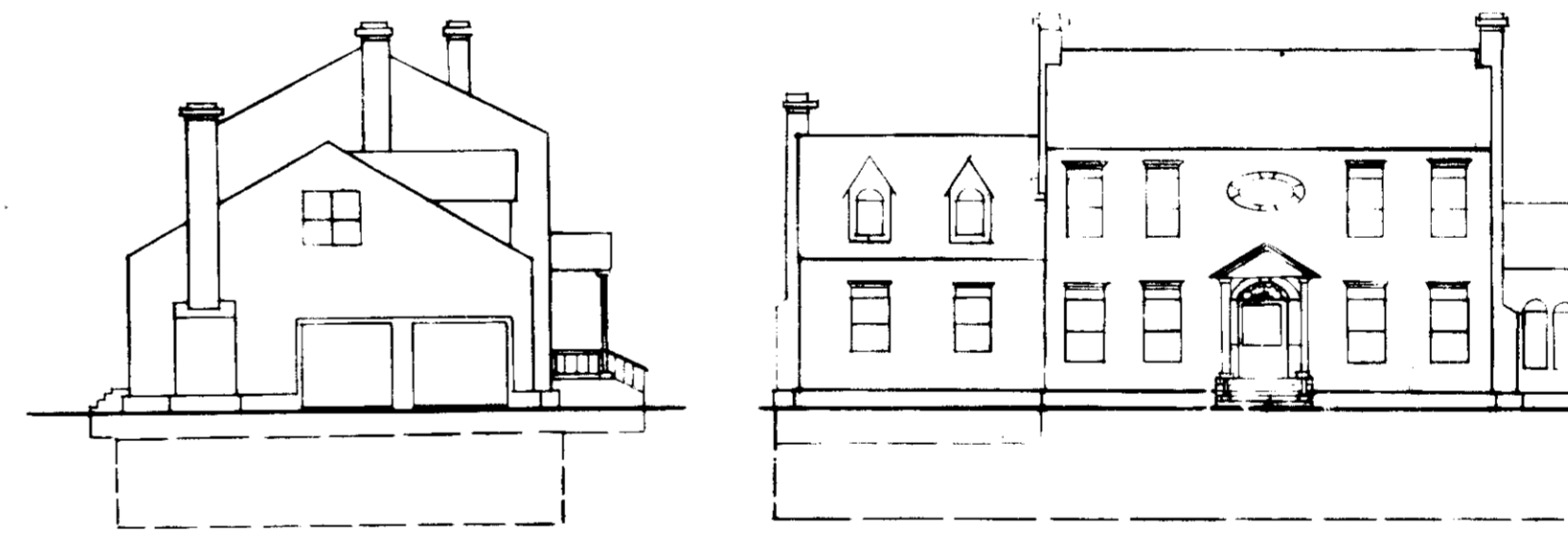
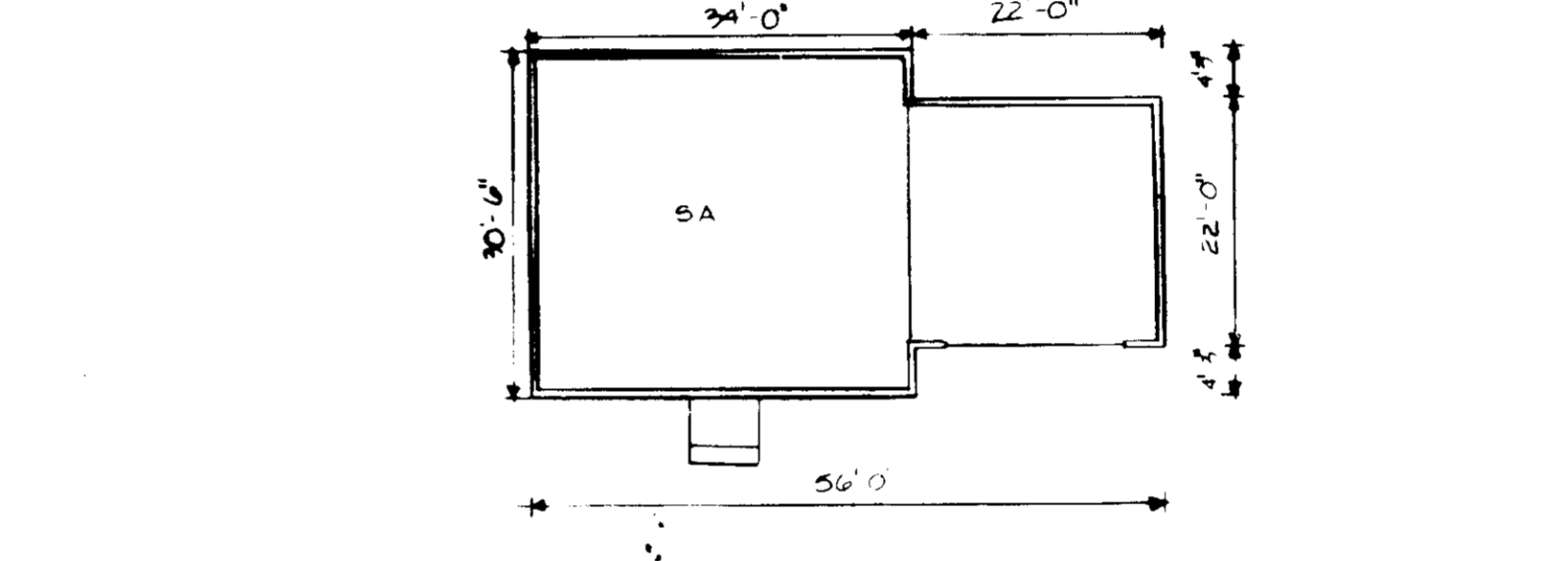
GENERAL NOTES

- 1) THE LAND INCLUDED IS ZONED R-20
- 2) COORDINATES SHOWN ARE EXTENSIONS MADE FROM THE MARYLAND STATE PLANE COORDINATE SYSTEM BEARINGS REFER TO THE TRUE NORTH AND ARE BASED ON HOWARD COUNTY GEODETIC SURVEY POINT NO. AND NO.
- 3) THE AREA COVERED IN THIS SUBMISSION IS LOCATED ON TAX MAP
- 4) THE TOTAL AREA ON THIS PLAN IS 157,300 SQ.FT. (3.61 AC.)
- 5) ALL ROADS ARE PUBLIC AND EXISTING.
- 6) ANY DAMAGE TO COUNTY OWNED RIGHT-OF-WAYS SHALL BE CORRECTED AT THE DEVELOPERS EXPENSE.
- 7) TOTAL NUMBER OF LOTS IN THIS SUBMISSION ARE 11
- 8) STREET TREES WILL BE PROVIDED IN ACCORDANCE WITH SECTION 16.131 OF THE HOWARD COUNTY SUBDIVISION REGULATIONS BY THE DEVELOPER.



DRIVEWAY ABUTTING STD. 7" COMB. CURB & GUTTER

APPROVED
DIVISION OF LAND DEVELOPMENT &
ZONING ADMINISTRATION
HOWARD COUNTY, MARYLAND
DATE 4-27-87



GENERAL NOTES

- 1) THE LAND INCLUDED IS ZONED R-20
- 2) COORDINATES SHOWN ARE EXTENSIONS MADE FROM THE MARYLAND STATE PLANE COORDINATE SYSTEM BEARINGS REFER TO THE TRUE NORTH AND ARE BASED ON HOWARD COUNTY GEODETIC SURVEY POINT NO. AND NO.
- 3) THE AREA COVERED IN THIS SUBMISSION IS LOCATED ON TAX MAP
- 4) THE TOTAL AREA ON THIS PLAN IS 157,300 SQ.FT. (3.61 AC.)
- 5) ALL ROADS ARE PUBLIC AND EXISTING.
- 6) ANY DAMAGE TO COUNTY OWNED RIGHT-OF-WAYS SHALL BE CORRECTED AT THE DEVELOPERS EXPENSE.
- 7) TOTAL NUMBER OF LOTS IN THIS SUBMISSION ARE 11
- 8) STREET TREES WILL BE PROVIDED IN ACCORDANCE WITH SECTION 16.131 OF THE HOWARD COUNTY SUBDIVISION REGULATIONS BY THE DEVELOPER.

APPROVED FOR PUBLIC WATER AND PUBLIC SEWERAGE SYSTEMS HOWARD COUNTY HEALTH DEPARTMENT
COUNTY HEALTH OFFICER DATE 5-6-87

APPROVED HOWARD COUNTY OFFICE OF PLANNING & ZONING
PLANNING DIRECTOR DATE 5-8-87

APPROVED FOR PUBLIC WATER AND PUBLIC SEWERAGE STORM DRAINAGE SYSTEMS AND PUBLIC ROADS HOWARD COUNTY DEPARTMENT OF PUBLIC WORKS
DIRECTOR DATE 5-6-87

APPROVED FOR PUBLIC WATER AND PUBLIC SEWERAGE SYSTEMS HOWARD COUNTY HEALTH DEPARTMENT
COUNTY HEALTH OFFICER DATE 5-1-87

REVIEWED FOR HOWARD S.C.D. AND MEETS TECHNICAL REQUIREMENTS.
DATE 4-29-87

THIS DEVELOPMENT PLAN IS APPROVED FOR SOIL EROSION AND SEDIMENT CONTROL BY THE HOWARD SOIL CONSERVATION DISTRICT
DATE 4/29/87

DEVELOPERS/BUILDER'S CERTIFICATE
I/WE CERTIFY THAT ALL DEVELOPMENT AND CONSTRUCTION WILL BE DONE ACCORDING TO THIS PLAN OF DEVELOPMENT AND PLAN FOR EROSION AND SEDIMENT CONTROL AND THAT ALL RESPONSIBLE PERSONS INVOLVED IN THE CONSTRUCTION PROJECT WILL HAVE A CERTIFICATE OF ATTENDANCE AT A DEPT. OF NATURAL RESOURCES APPROVED TRAINING PROGRAM FOR THE CONTROL OF SEDIMENT AND EROSION CONTROL BEFORE BEGINNING THE PROJECT. I ALSO AUTHORIZE PERIODIC ON-SITE INSPECTION BY THE HOWARD SOIL CONSERVATION DISTRICT OF THEIR AUTHORIZED AGENTS AS DEEMED NECESSARY.

DATE 4/27/87

ENGINEERS CERTIFICATE
I CERTIFY THAT THIS PLAN FOR EROSION AND SEDIMENT CONTROL REPRESENTS A PRACTICAL AND WORKABLE PLAN BASED ON MY PERSONAL KNOWLEDGE OF SITE CONDITIONS AND THAT IT WAS PREPARED IN ACCORDANCE WITH THE REQUIREMENTS OF THE HOWARD SOIL CONSERVATION DISTRICT

DATE 4/27/87

LAND DESIGN ASSOCIATES
718 HIGHWOOD DRIVE,
BALTIMORE MD. 21212,
301/323-0805,
REVISIONS:

TURF VALLEY OVERLOOK LOTS 12-17 & 66
SECTION I AREA I
SITE DEVELOPMENT & SEDIMENT CONTROL PLAN
SECOND EDITION DISTRICT
HOWARD COUNTY, MARYLAND
SDP-87-172

Robert Awalt Builders Inc - Owner
2001 Baltimore National Pike
Ellicott City, MD 21042

DESIGNED B.W.P.
CHECKED R.W.
SCALE AS SHOWN
SHEET NO. 2 OF 2
DATE 4-28-87