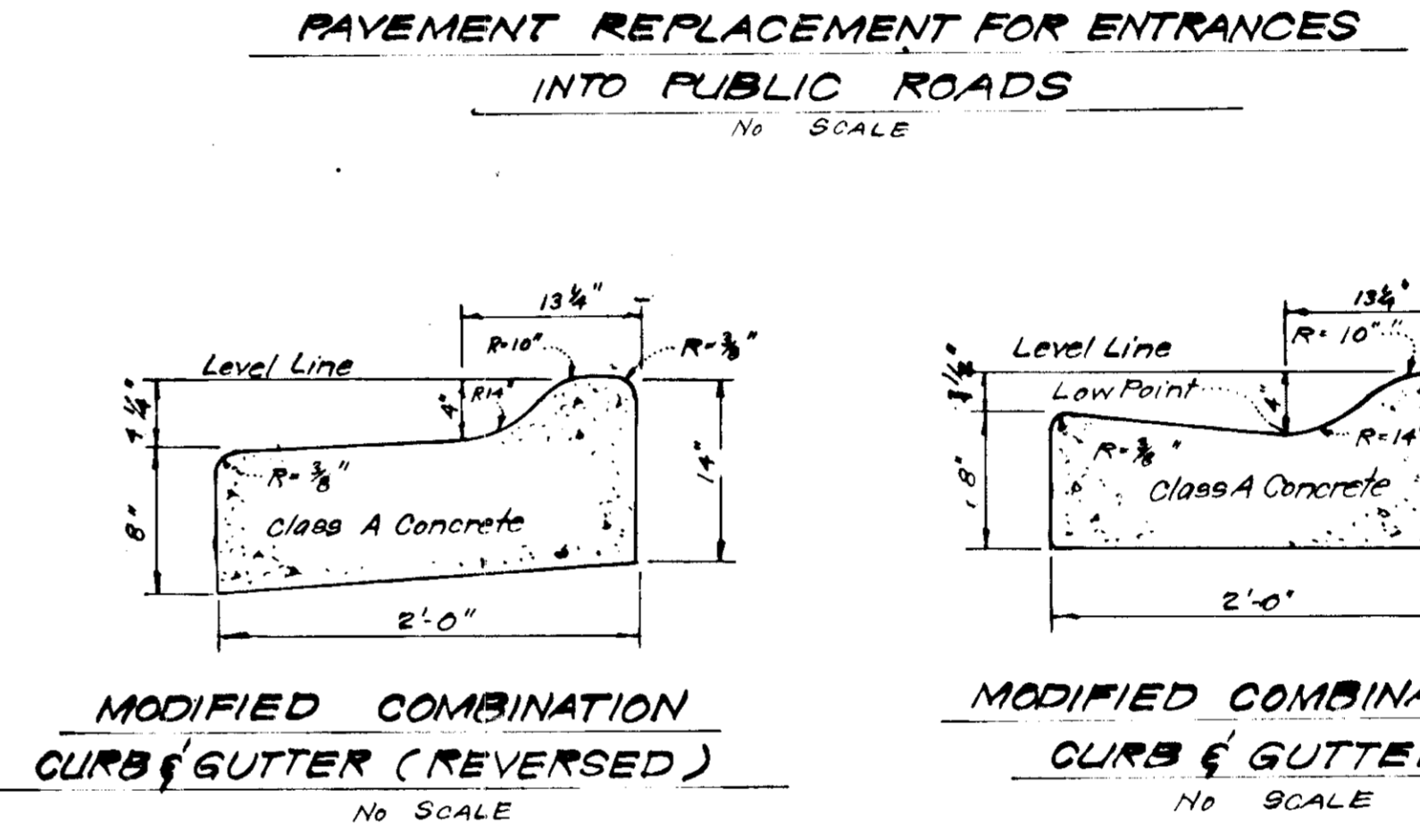
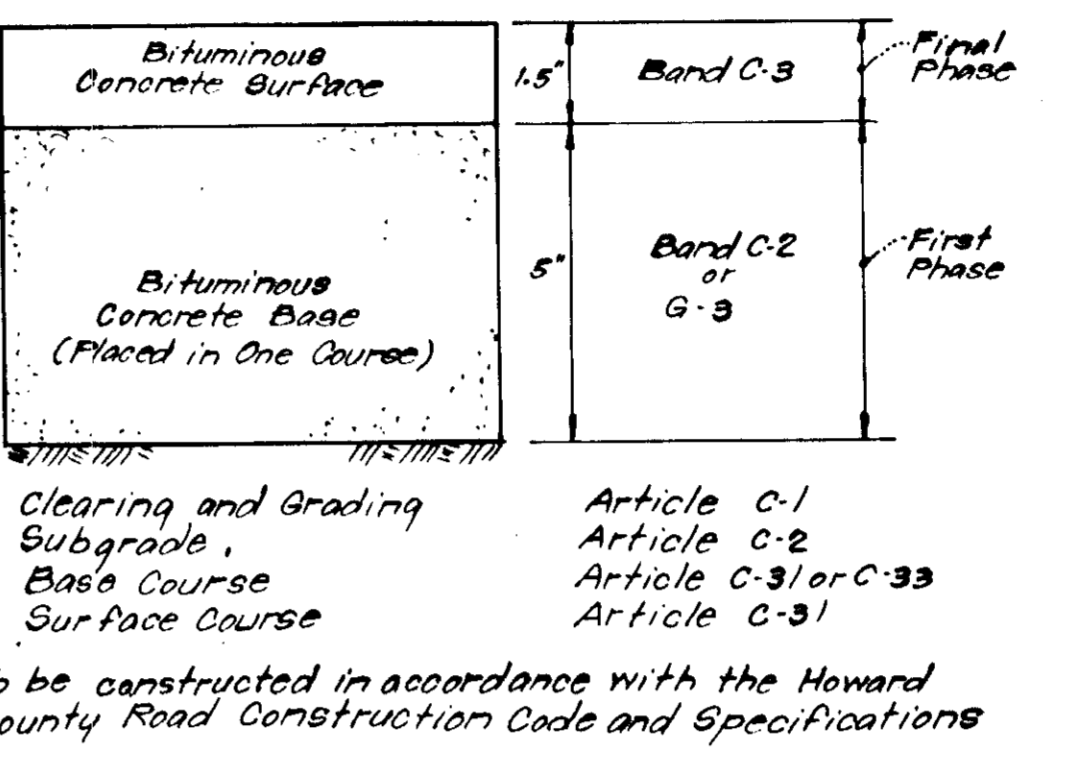
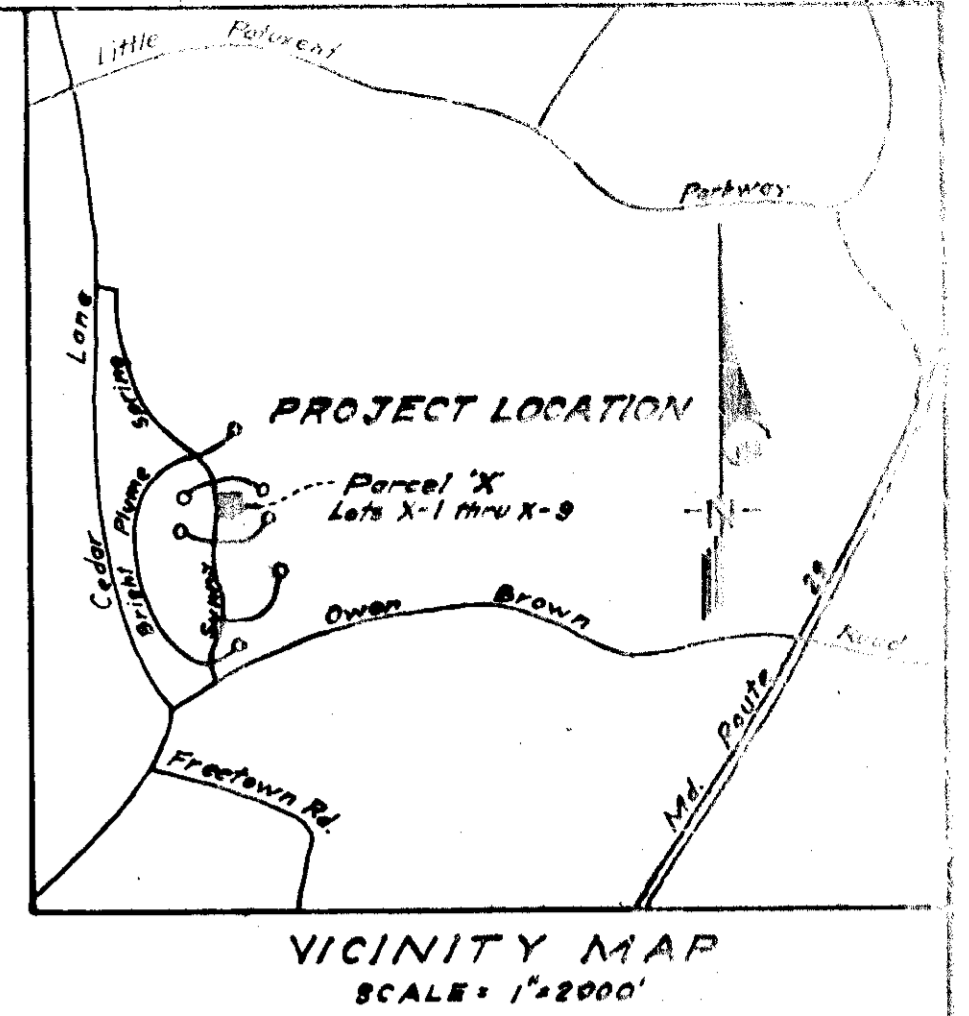
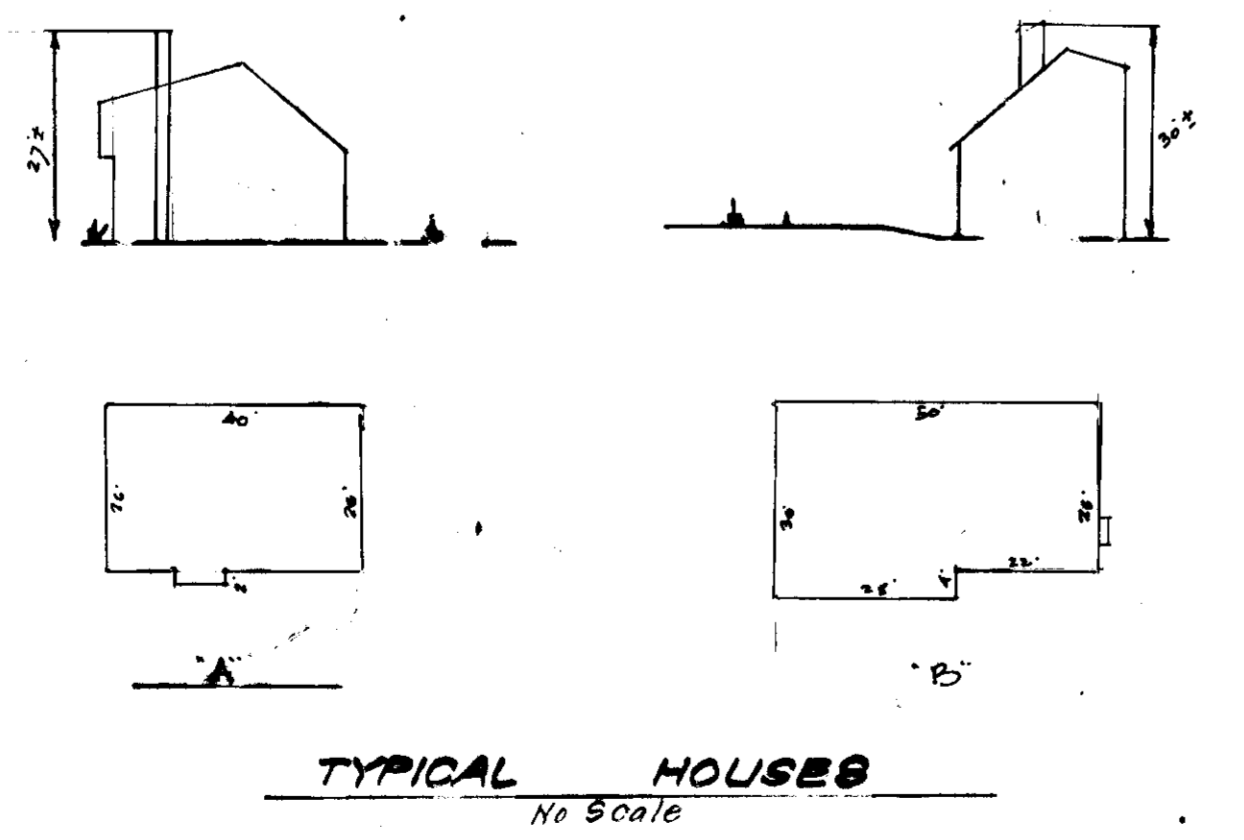
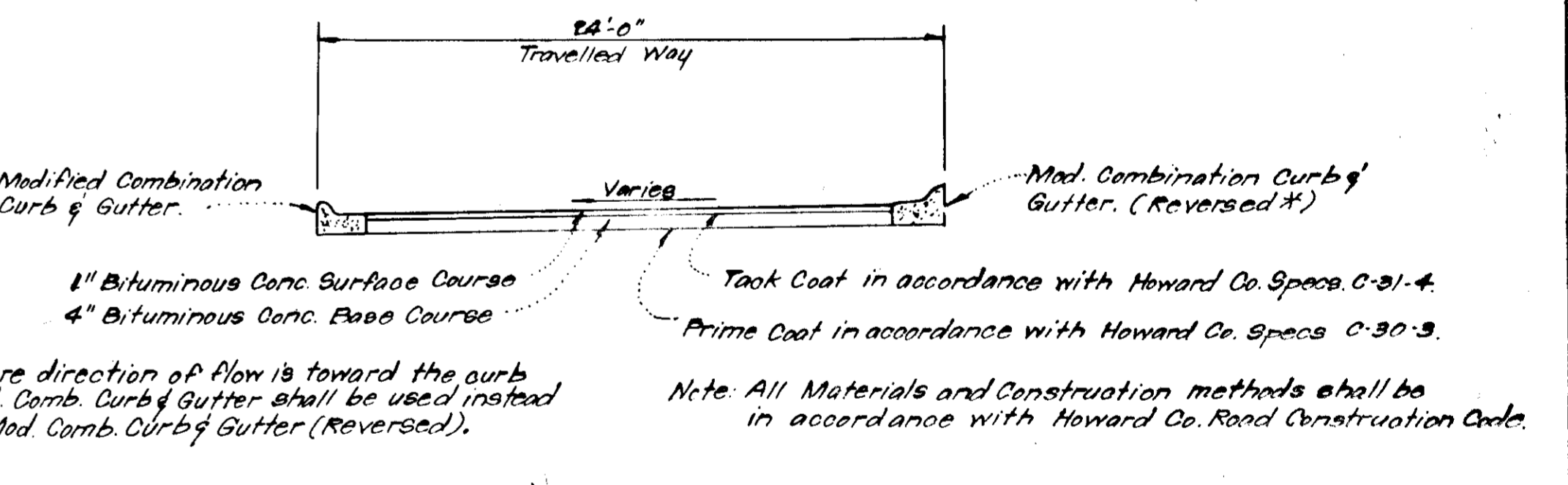
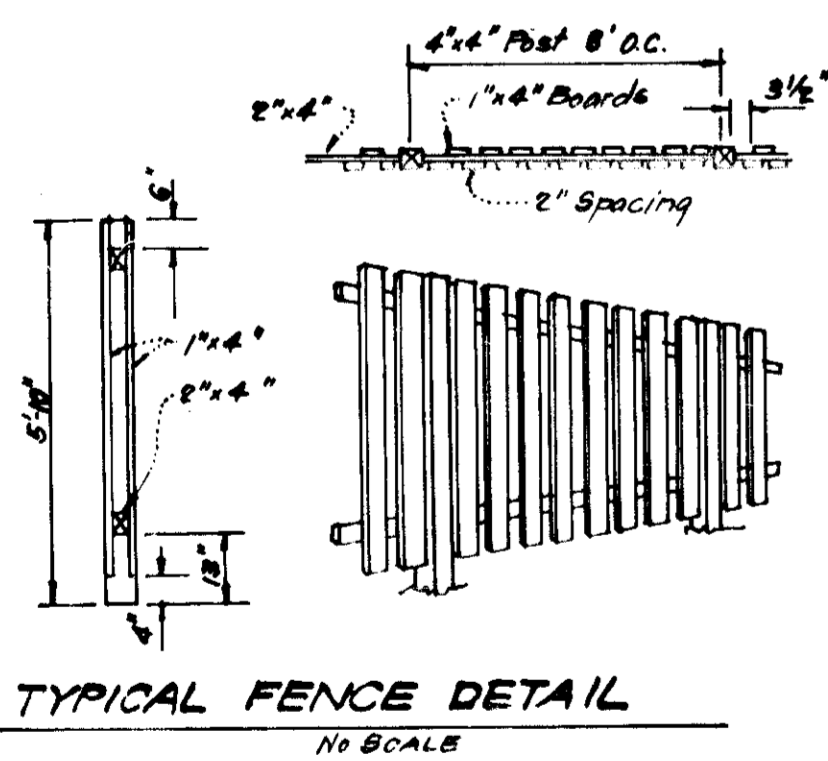


- LEGEND**
1. Contour Interval 2 FT
 2. Existing Contours ---
 3. Proposed Contours - - -
 4. Spot Elevation +90'
 5. Direction of Drainage →
 6. Screen Fence Location [Symbol]
 7. Walk-out Basement [Symbol]
 8. Timber Retaining Wall 2' max. Ht. [Symbol]



- GENERAL NOTES**
1. The land included in this plan is zoned New Town (S.F.M.D.)
 2. The Lots shown on this plan are covered by Final Development Plan Phase 100-A recorded in Plat Book 20 Folios 149 to 157.
 3. All coordinates are based on Maryland State Grid System. Elevations are based on the U.S. Coast and Geodetic Survey Mean Sea Level Datum 1929.
 4. The Area covered in this submission is located on Tax Map No. 35.
 5. The total Area included in this plan is 1.825 Acres.
 6. Public Water and Sewer to be utilized.
 7. 24 Foot Driveways, Carports and Parking Space are to be privately owned and maintained.
 8. All public facilities shown are existing, i.e. roads, storm drain lines, water and sewer lines and easements. Sidewalk shown on Sunny Spring was taken from the approved Construction Plans.
 9. Recording Reference: Lots X-1 thru X-9 are recorded in Plat # 3560.
 10. Parking Spaces Required: 10
 11. Parking Spaces Provided: 10
 12. This plan is a revision to Approved SDP-78-101c.
 13. Judgment Control will be the same as on S.D.P. 78-101c and that a copy of Judgment Control Plan S.C.M. 78-101c will be on the Site at all times.



APPROVED FOR PUBLIC WATER AND PUBLIC SEWERAGE SYSTEMS,
HOWARD COUNTY HEALTH DEPARTMENT

Joseph Boyan 10-25-78
DATE

APPROVED BY HOWARD COUNTY OFFICE OF PLANNING & ZONING

Thomas W. ... 10-25-78
DATE

APPROVED FOR PUBLIC WATER AND PUBLIC SEWERAGE,
STORM DRAINAGE SYSTEMS AND PUBLIC ROADS
HOWARD COUNTY DEPARTMENT OF PUBLIC WORKS

Richard E. ... 10/25/78
DATE

W.O. ... 10-25-78
DATE



HUGHES ASSOCIATES
201 JOSEPH SQUARE
COLUMBIA, MD 21024

DESIGNED	SITE DEVELOPMENT PLAN LOTS X-1 THRU X-9 COLUMBIA VILLAGE OF HICKORY RIDGE SECTION-1 AREA-1 5TH ELECTION DISTRICT HOWARD COUNTY, MARYLAND FOR: M'CUAN ASSOCIATES OF MARYLAND INC. Teachers Building Columbia, Maryland 21044	SCALE
DRAWN		1" = 30'
CHECKED		DATE
DATE		10/11/78

SDP-79-45c