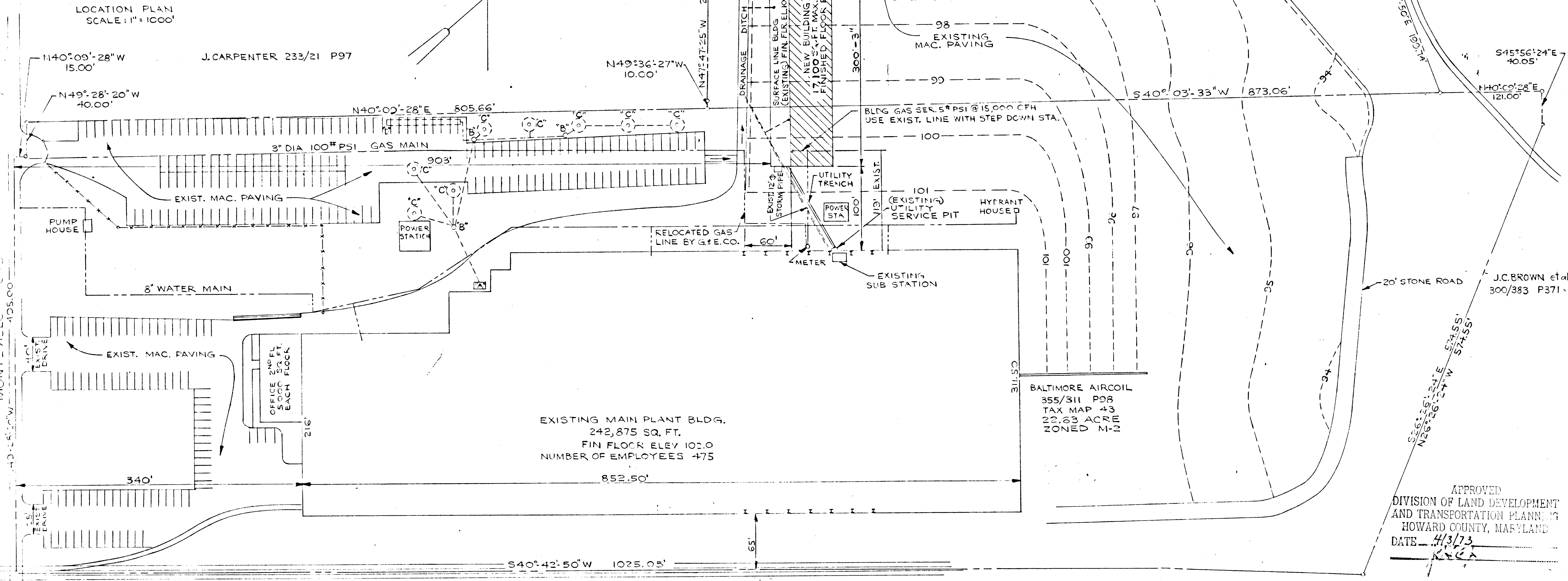
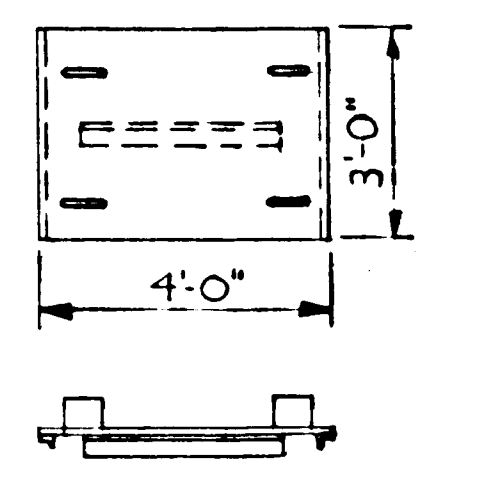


- NOTES:**
1. CONSTRUCTION OF NEW BUILDING WILL IN NO WAY AFFECT THE FLOW OF STORM WATER WHICH WILL STILL FOLLOW GROUND CONTOUR. ANY EXISTING PAVING TORN UP BY CONSTRUCTION WILL BE REPLACED.
 2. EXISTING PRIVATE SEWERAGE SYSTEM CONSISTING OF A PUMP STATION "A" EQUIPPED WITH TWO WEIL CO. PUMPS TYPE CRA SIZE 4 PUMPING THRU 6" STEEL PIPE TO THREE PRECAST CONCRETE DISTRIBUTION BOXES "B" WHICH ARE CONNECTED TO EIGHT LEACHING WELLS 12'-0" OUTSIDE DIAMETER BY 12'-0" BELOW THE INVERT OF THE INCOMING PIPE LINES. THESE LEACHING WELLS ARE BUILT WITH 8" X 8" X 16" CONCRETE BLOCKS AND CAPPED WITH 6" REINFORCED CONCRETE TOPS WITH A 6" CAST IRON CLEANOUT TO GRADE. ALSO ADDED ONE 100' X 4' LEACHING WELL "D" ON OCT 24, 1969.
 3. AREA OF PROPERTY: 29.65 ACRES
PROPOSED USE: LIGHT MFG
EXISTING ZONE: M2
EXISTING BLDG. AREA: 248,625 SQ. FT.
PROPOSED BLDG. AREA: 16,800 SQ. FT.
EXISTING PARKING SPACES: 252
 4. DRAWINGS THAT ARE PART OF THIS PROJECT:
D10005 THRU D10014. JOB NORTH
ELECTRICAL E.I. BY C.SIPPLE.

E.H. NUNN
CONSTR
336/588 P345

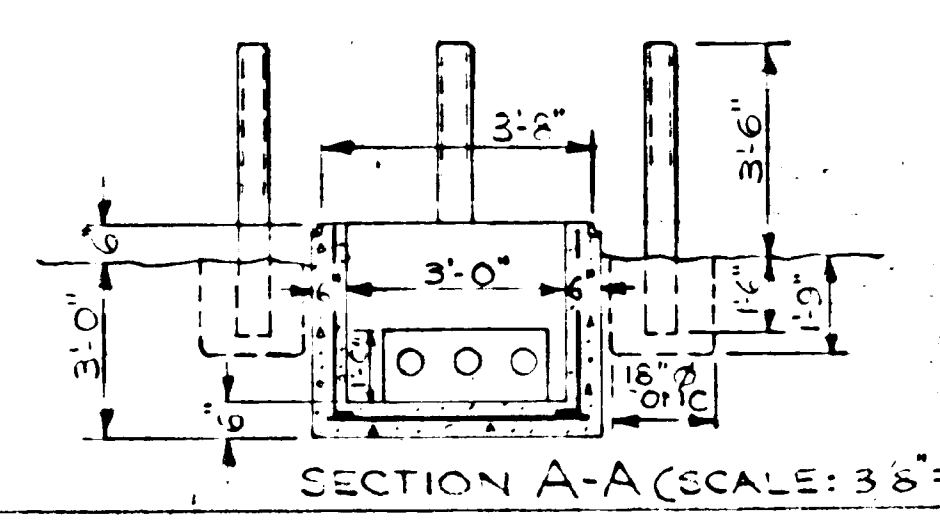
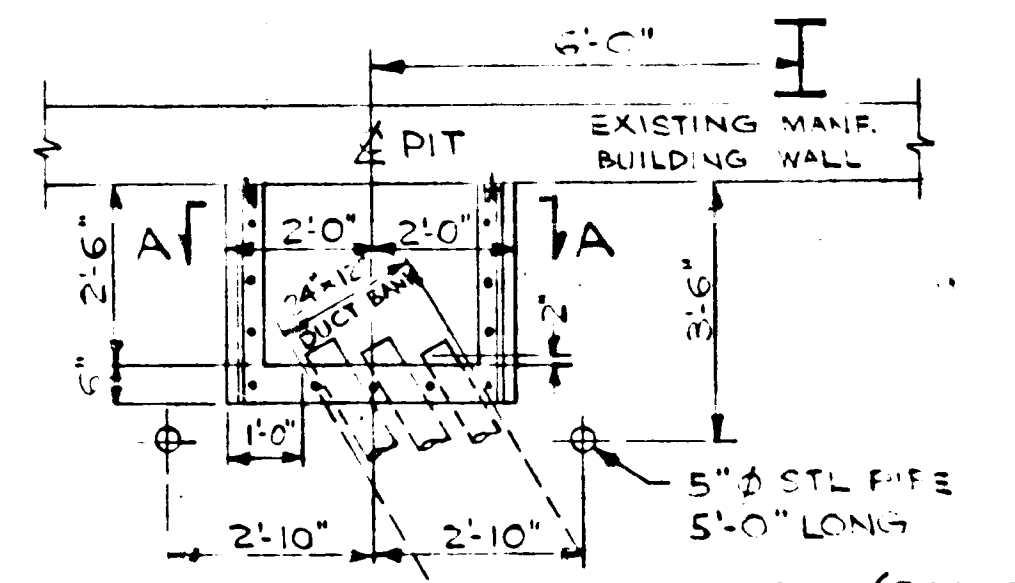
J.C. CLECKNER
411/693 P344



APPROVED
DIVISION OF LAND DEVELOPMENT
AND TRANSPORTATION PLANNING
HOWARD COUNTY, MARYLAND
DATE: 4/3/73
K.C.A.

BALTIMORE & OHIO RAILROAD

PLOT PLAN
SCALE: 1" = 50'-0"



APPROVED: FOR PUBLIC WATER AND PRIVATE SEWERAGE SYSTEMS, HOWARD COUNTY HEALTH DEPARTMENT
 COUNTY HEALTH OFFICER
 DATE: 4-12-73
 APPROVED: HOWARD COUNTY OFFICE OF PLANNING AND ZONING
 PLANNING DIRECTOR
 DATE: 4-13-73
 CHIEF, DIVISION OF LAND DEVELOPMENT AND TRANSPORTATION PLANNING
 DATE: 4-13-73
 APPROVED: FOR PUBLIC WATER, PRIVATE SEWERAGE AND STORM DRAINAGE SYSTEMS AND ROADS
 HOWARD COUNTY DEPARTMENT OF PUBLIC WORKS
 DIRECTOR
 DATE: 4-13-73
 CHIEF, BUREAU OF HIGHWAYS
 DATE: 4-13-73

Reviewed for _____ S.C.D.
 Name _____
 and meets Technical Requirements
 Date _____
 Signature _____
 U.S. Soil Conservation Service
 S.C.P. not required
 THIS DEVELOPMENT PLAN IS APPROVED FOR SOIL EROSION AND SEDIMENT CONTROL BY THE HOWARD SOIL CONSERVATION DISTRICT
 Approved _____ Date _____
 Howard S.C.D.

M
INDUSTRIES, INC.
FRANCHISED BUILDERS
REPUBLIC STEEL BUILDINGS
1025 CROMWELL BRIDGE RD. BALTIMORE, MD. 21204
JOB
BALTIMORE AIRCOIL CO.
1ST ELECTION DISTRICT
MONTEVIDEO RD. HOWARD COUNTY, MD.
DWN: JGS DATE: 2/15/73 SCALE: 1" = 100'-0" SHEET
CHK: PBN DATE: 2/22/73 NOTED: D10005 P
APPD: DATE: REV: 50573-83