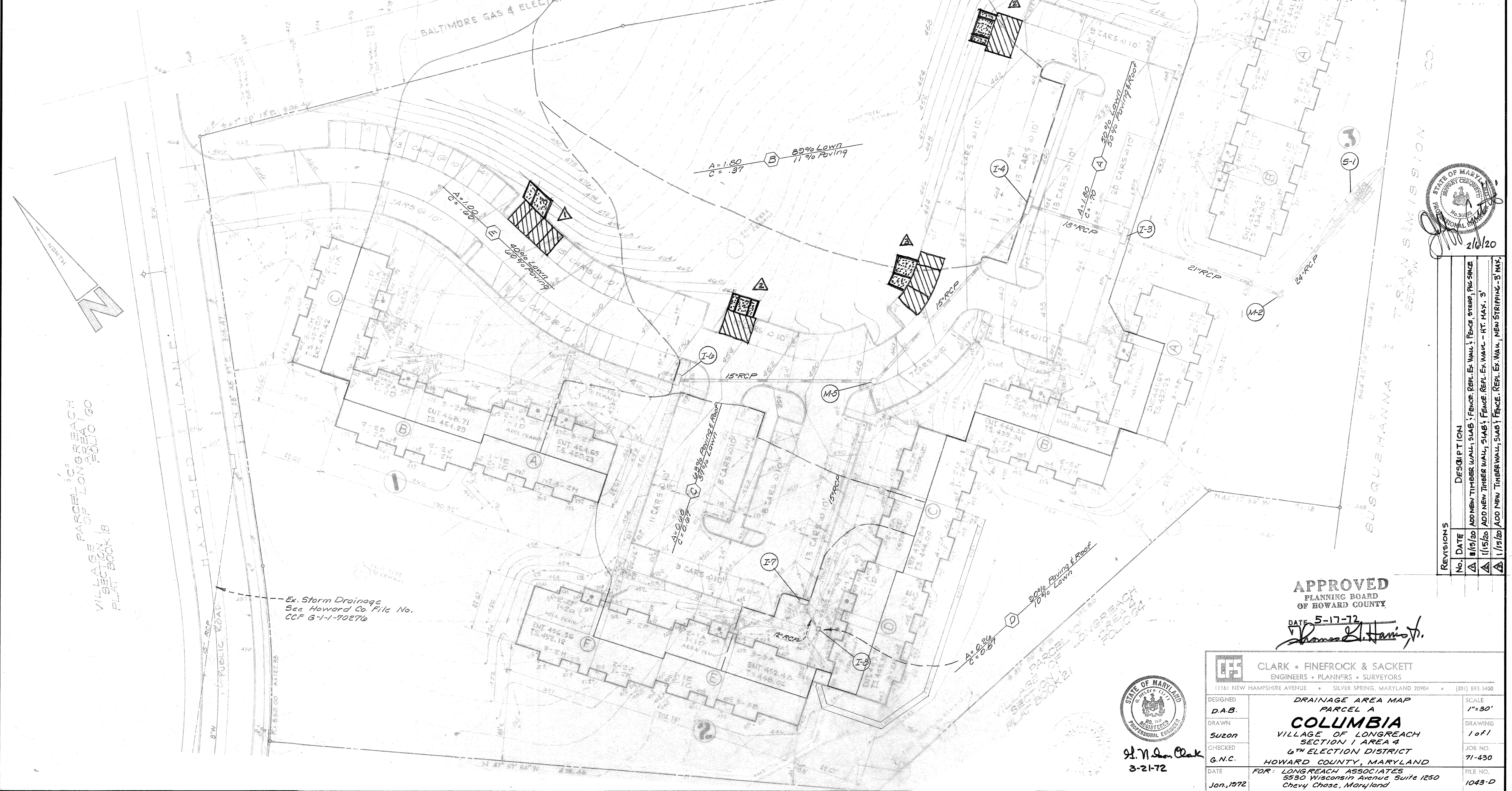
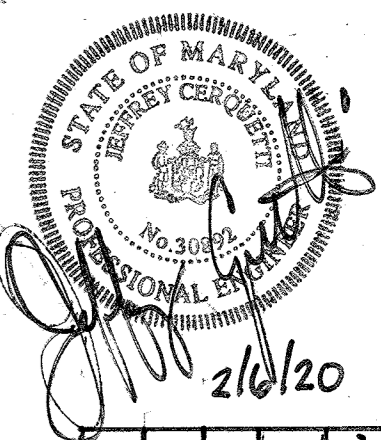


APPROVED FOR PUBLIC WATER AND PUBLIC SEWERAGE SYSTEMS, HOWARD COUNTY HEALTH DEPARTMENT
Shepherd COUNTY HEALTH OFFICER DATE 6-28-72
 APPROVED HOWARD COUNTY OFFICE OF PLANNING & ZONING
Thomas D. Harris PLANNING DIRECTOR DATE 6-21-72
William CHIEF DIVISION OF LAND DEVELOPMENT DATE 6-29-72
 TRANSPORTATION PLANNING
 APPROVED FOR PUBLIC WATER AND PUBLIC SEWERAGE, STORM DRAINAGE SYSTEMS AND PUBLIC ROADS, HOWARD COUNTY DEPARTMENT OF PUBLIC WORKS
William U. DeWitt DIRECTOR DATE 6-22-72
W. J. Hill CHIEF BUREAU OF HIGHWAYS DATE 6-22-72

VICINITY MAP
 Scale: 1"=2000'



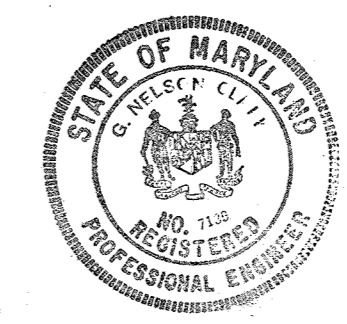
Ex. Storm Drainage
 See Howard Co File No.
 CCF 6-1-1-70276



REVISIONS	No.	DATE	DESCRIPTION
	1	8/15/20	ADD NEW TIMBER WALL, SLAB; FENCE. REPL. EX. WALL; FENCE, STUMP, PIG-SNARE
	2	1/15/20	ADD NEW TIMBER WALL, SLAB; FENCE. REPL. EX. WALL - HT. MAX. 3'
	3	1/15/20	ADD NEW TIMBER WALL, SLAB; FENCE. REPL. EX. WALL, MEN STRIPPING - 3' MAX.

APPROVED
 PLANNING BOARD
 OF HOWARD COUNTY

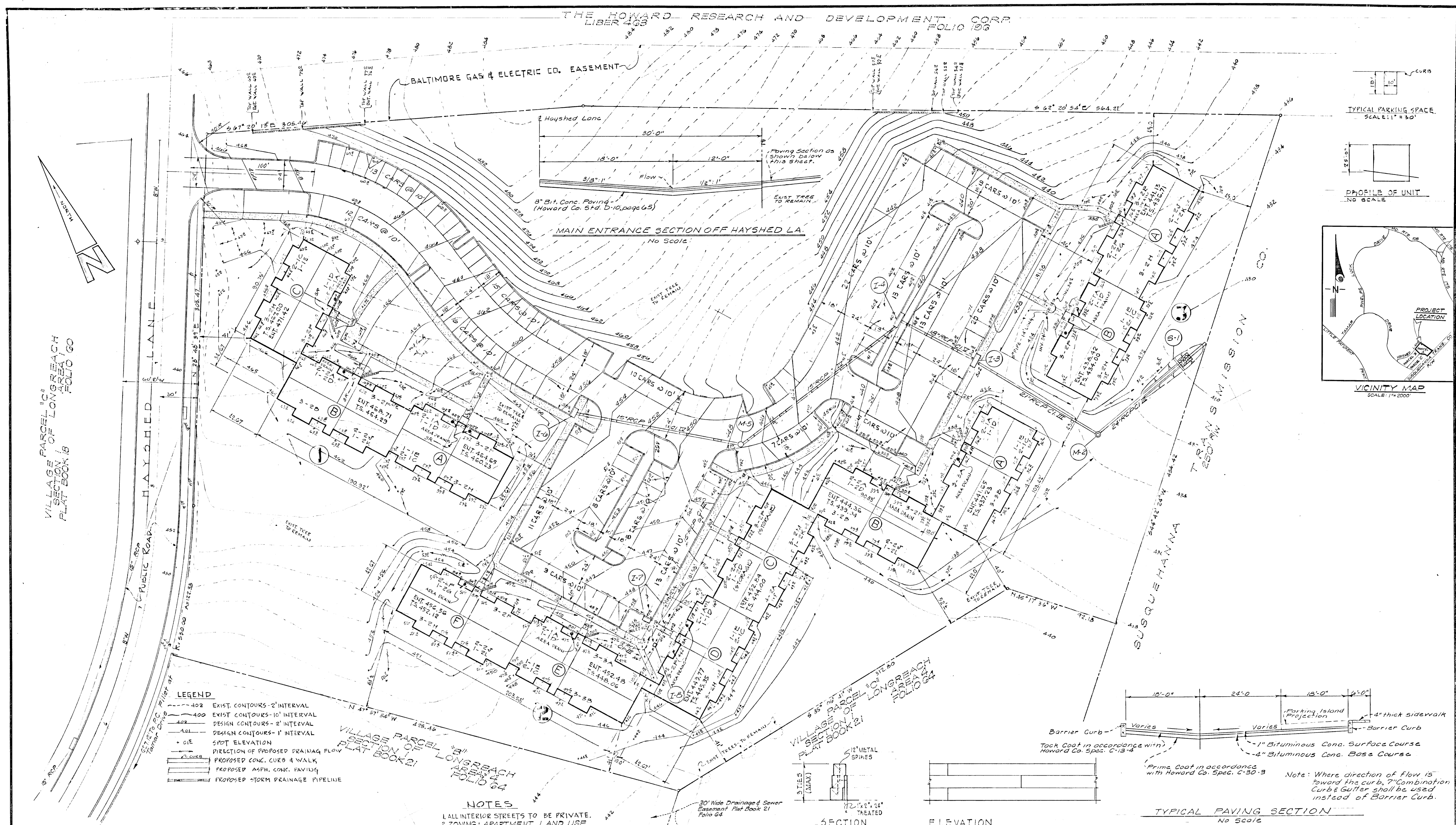
DATE 5-17-72
Thomas D. Harris



H. N. Clark
 3-21-72

CLARK • FINEFROCK & SACKETT
 ENGINEERS • PLANNERS • SURVEYORS
 11161 NEW HAMPSHIRE AVENUE • SILVER SPRING, MARYLAND 20904 • (301) 593-3400

DESIGNED D.A.B.	DRAINAGE AREA MAP PARCEL A COLUMBIA VILLAGE OF LONGREACH SECTION 1 AREA 4 6 TH ELECTION DISTRICT HOWARD COUNTY, MARYLAND FOR: LONGREACH ASSOCIATES 5530 Wisconsin Avenue Suite 1250 Chevy Chase, Maryland	SCALE 1"=30'
DRAWN SUZON		DRAWING 1 of 1
CHECKED G.N.C.		JOB NO. 71-430
DATE Jan., 1972		FILE NO. 1043-D



UNIT ANALYSIS - PARCEL 'A' SECT. 1 AREA 4

BLDG. #	1 BEDROOM		2 BEDROOM		2 BRKM, 2 B		3 BR		TOTAL
	A	B	A	B	A	B	A	B	
1	4	4	2	2	3	1	9	6	36
2	7	6	3	2	8	2	14	4	74
3	2	2	1	1	3	3	8	1	24
TOTALS	13	12	6	5	10	6	31	2	134
%	26.7%		33.8%		25.4%		14.2%		

SITE ANALYSIS - PARCEL 'A' SECT. 1 AREA 4

AREA	5.771 AC. ON 382,064 #
BUILDING COVERAGE ALLOWED @ 35%	135,723 #
BUILDING COVERAGE PROVIDED	50,651 #
PARKING & DRIVES COVERAGE	70,749 #
GREEN AREA PROVIDED	260,664 #
# OF UNITS ALLOWED	134
# OF UNITS PROVIDED	134
PARKING REQUIRED @ 1.5/UNIT	201
PARKING PROVIDED	201

Revisions

Revisions	Date

VILLAGE OF LONGREACH
COLUMBIA, MARYLAND

PARCEL 'A' SECTION - 1 AREA 4
VILLAGE OF LONGREACH
6th ELECTION DISTRICT
PLAT BOOK 21 FOLIO 64

OWNERS - ARTS BY ORGANIZATION, INC.
9530 WISCONSIN AVE.
CHEVY CHASE, MD 20012
TEL: 652-9559

ARCHITECTS - COHEN HAFT & ASSOC.
9900 GEORGIA AVE.
SILVER SPRING, MD 20900
TEL: 530-5800

David A. Haft

SITE PLAN
SCALE: 1" = 30' 0"

SECTION 1
Job No. 158G -71 **A. 1**
Date

PLAT REFERENCE: PLAT BOOK 21 FOLIO 64

APPROVED FOR PUBLIC WATER AND PUBLIC SEWERAGE SYSTEMS, HOWARD COUNTY HEALTH DEPARTMENT

Heather
COUNTY HEALTH OFFICER
6-28-72
DATE

APPROVED: HOWARD COUNTY OFFICE OF PLANNING & ZONING

Thomas L. Hartman
PLANNING DIRECTOR
6-21-72
DATE

APPROVED: DIVISION OF LAND DEVELOPMENT & TRANSPORTATION PLANNING

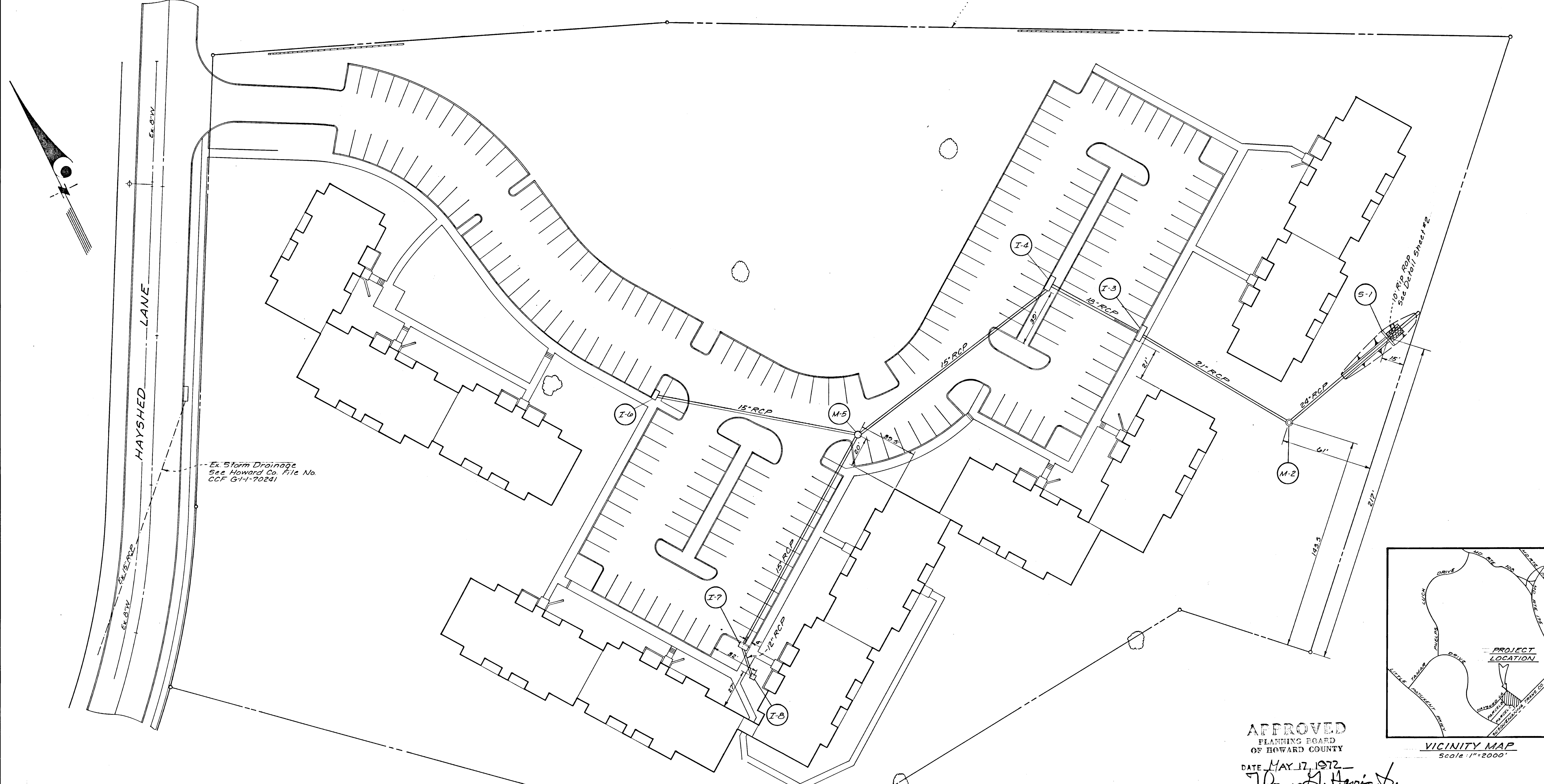
William A. Hart
DIRECTOR
6/21/72
DATE

APPROVED: FOR PUBLIC WATER AND PUBLIC SEWERAGE, STORM DRAINAGE SYSTEMS AND PUBLIC ROADS, HOWARD COUNTY DEPARTMENT OF PUBLIC WORKS

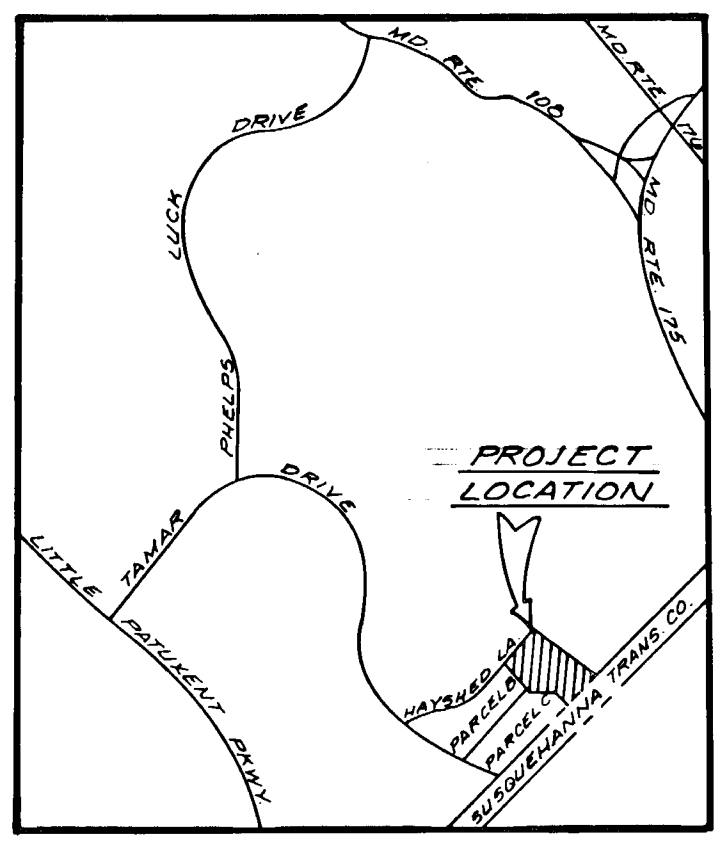
W. D. West
DIRECTOR
6-23-72
DATE

CHIEF BUREAU OF HIGHWAYS

BALTIMORE GAS & ELECTRIC CO. EASEMENT



Ex. Storm Drainage
See Howard Co. File No.
CCF 61-1-70241



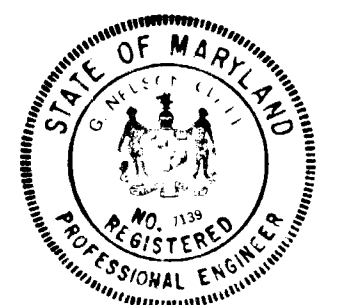
APPROVED
PLANNING BOARD
OF HOWARD COUNTY

DATE MAY 17, 1972
Thomas H. Harris

VICINITY MAP
Scale: 1"=2000'

GENERAL NOTES

1. All storm drain and paving shall be constructed in accordance with the latest details and specifications of Howard County.
2. Types of Storm Drain Structures refer to the standard details of Howard County.
3. Trench compaction for storm drains within road or street right of way limits shall be in accordance with latest Howard County Road Code.



H. Nelson Clark
2-3-72

APPROVED: FOR PUBLIC WATER AND PUBLIC SEWERAGE SYSTEMS, HOWARD COUNTY HEALTH DEPARTMENT
H. Nelson Clark 6-28-72
COUNTY HEALTH OFFICER DATE

APPROVED: HOWARD COUNTY OFFICE PLANNING ZONING
Thomas H. Harris 6-21-72
PLANNING DIRECTOR DATE

APPROVED: DIVISION OF LAND DEVELOPMENT & TRANSPORTATION PLANNING
William G. Quinn 6-27-72
CHIEF DATE

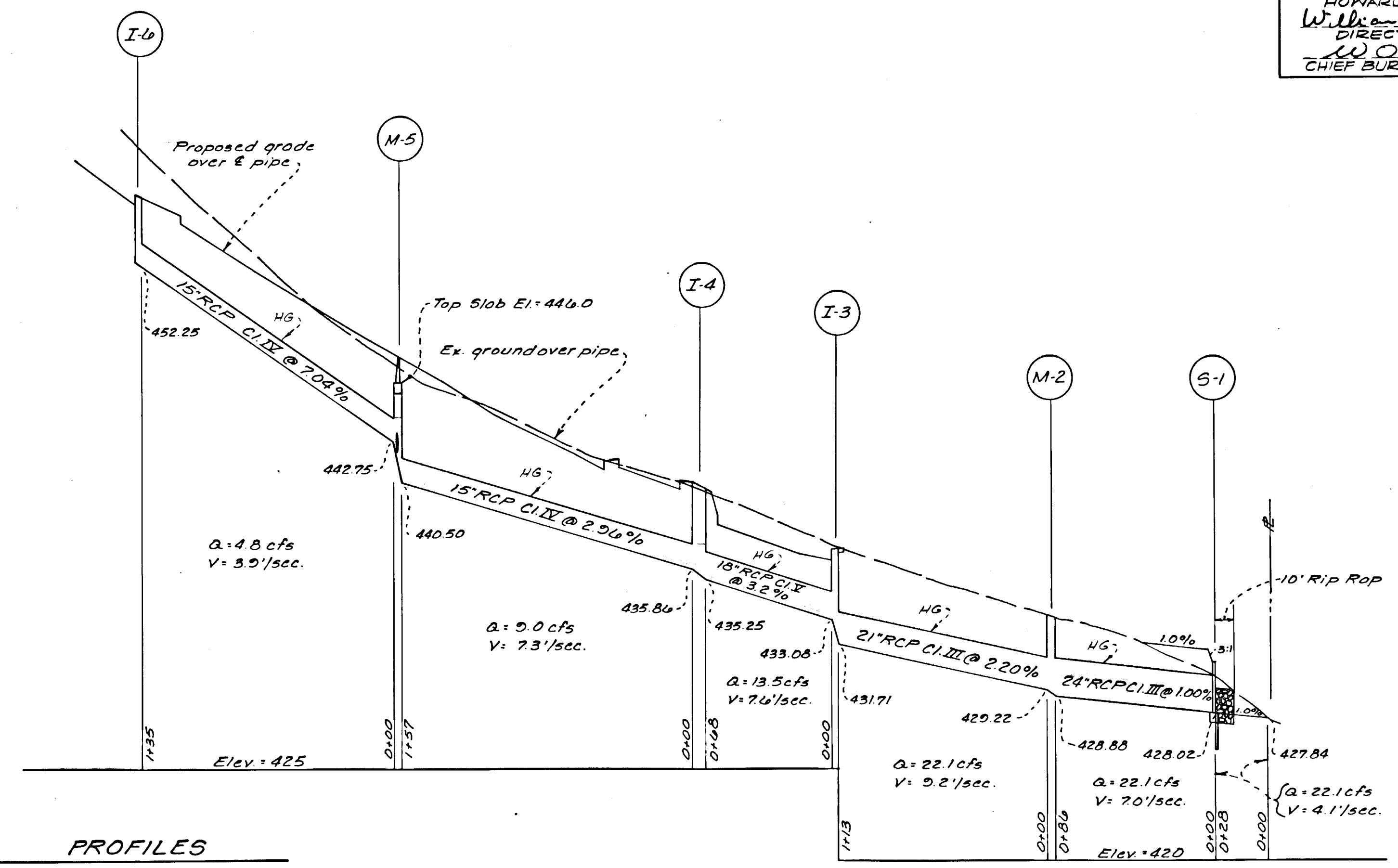
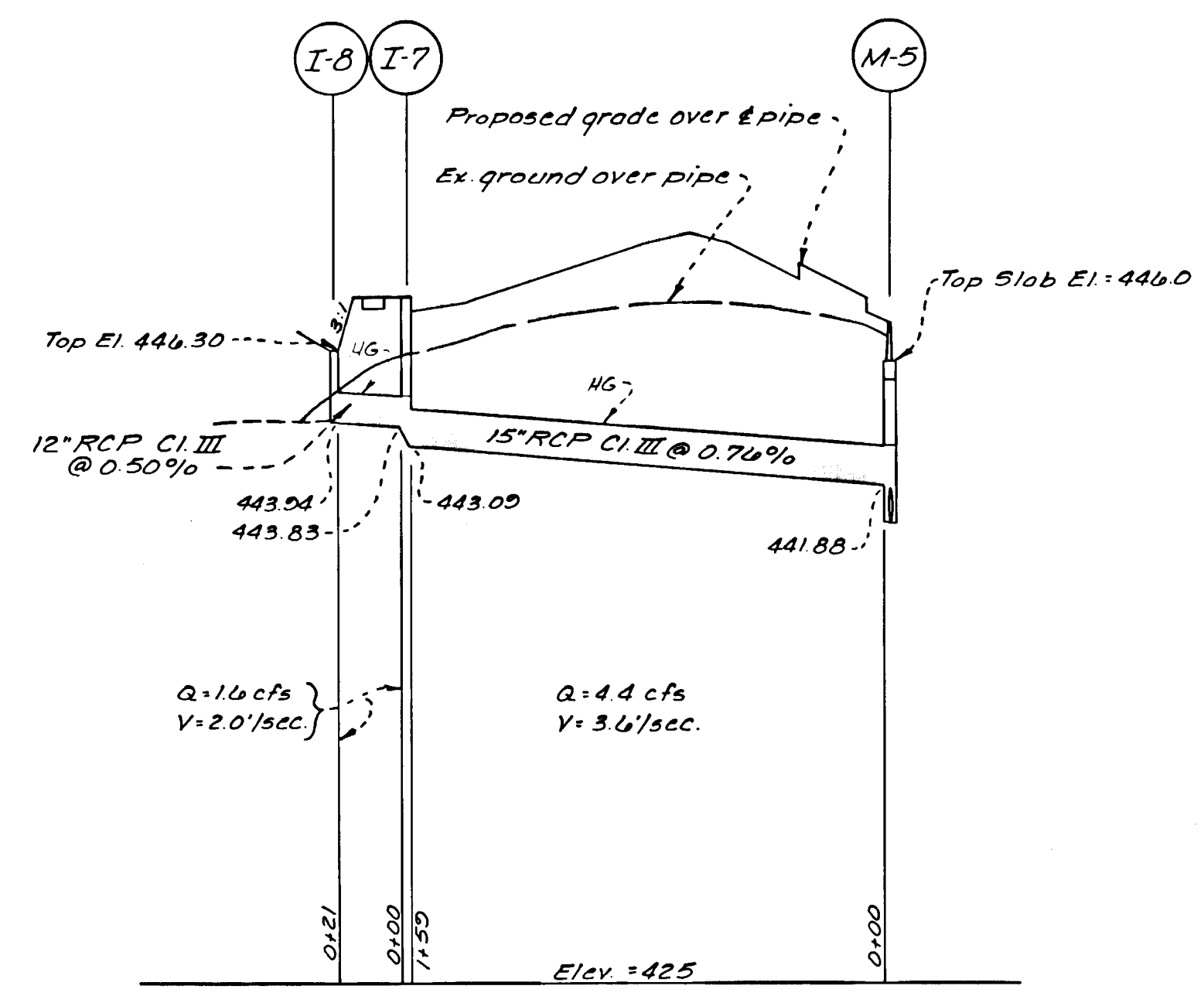
APPROVED: FOR PUBLIC WATER AND PUBLIC SEWERAGE STORM DRAINAGE SYSTEMS AND PUBLIC ROADS, HOWARD COUNTY DEPARTMENT OF PUBLIC WORKS
William G. Quinn 6-27-72
DIRECTOR DATE

APPROVED: CHIEF BUREAU OF HIGHWAYS
William G. Quinn 6-27-72
DATE

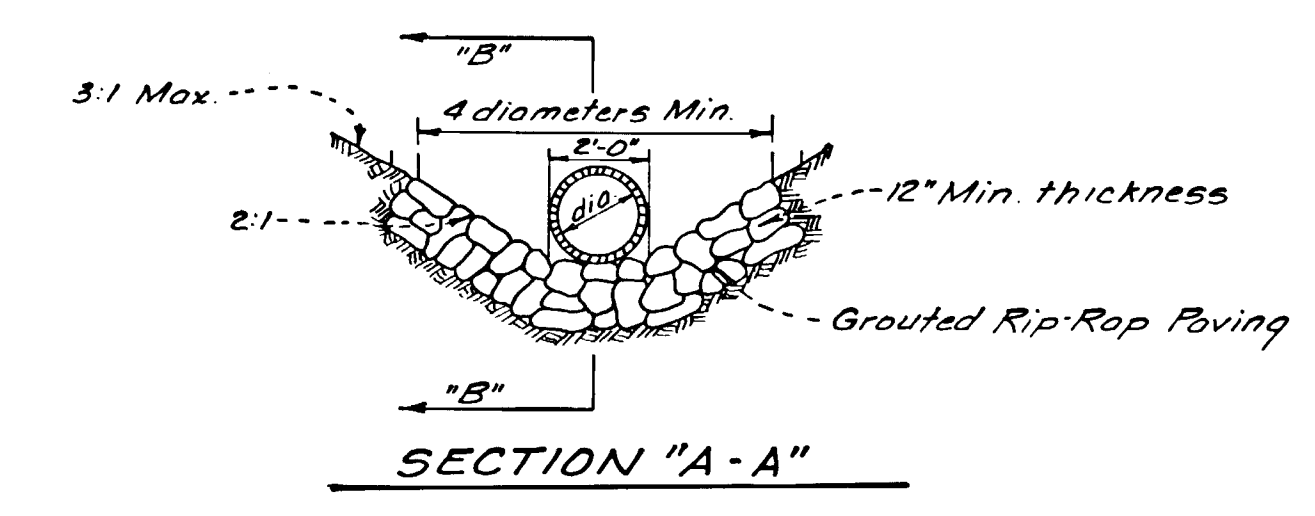
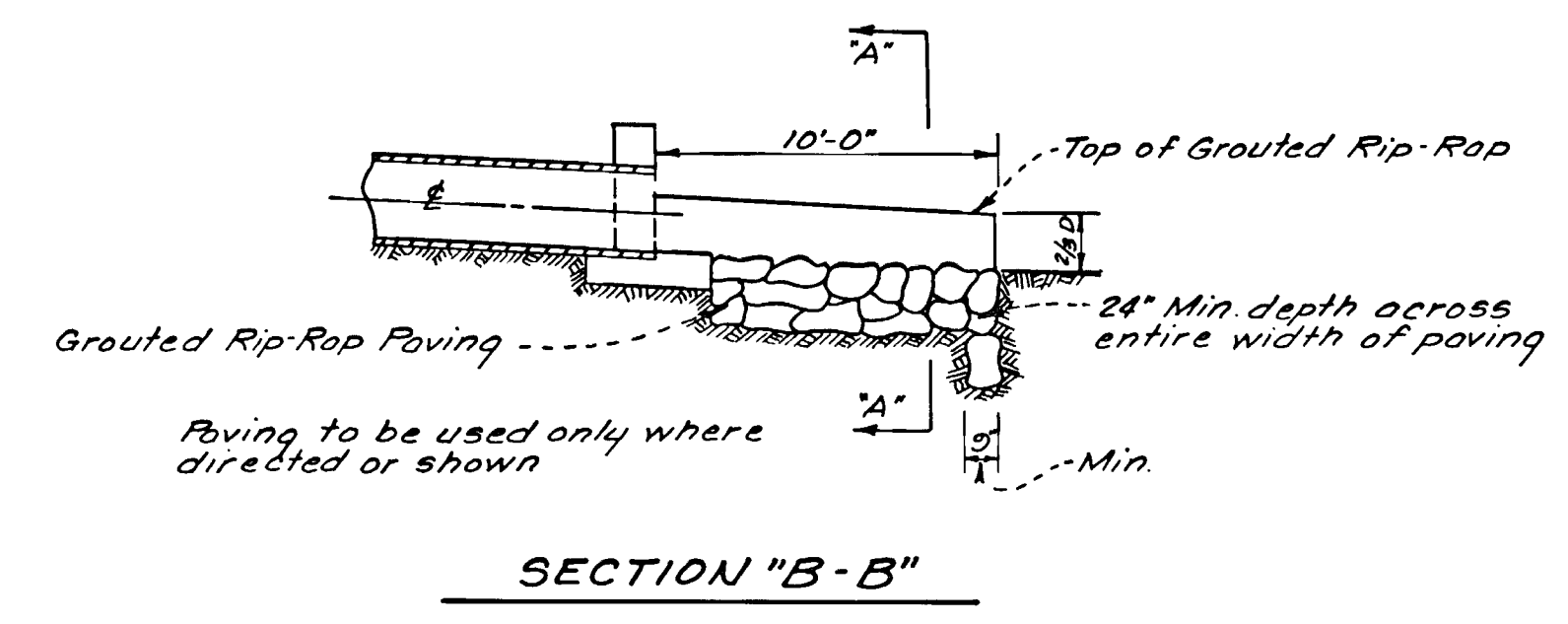
CLARK • FINEPROCK & SACKETT ENGINEERS • PLANNERS • SURVEYORS 8751 NEW HAVEN AVENUE, SUITE 200, WASHINGTON, D.C. 20014		SCALE: 1"=30' DRAWING: 1 of 2 JOB NO.: 71-430
DESIGNED: D.A.B. DRAWN: Suzon CHECKED: G.N.C.	STORM DRAINAGE PLAN PARCEL "A" COLUMBIA VILLAGE OF LONGREACH SECTION 1 AREA 4 6TH ELECTION DISTRICT HOWARD COUNTY, MARYLAND FOR: LONGREACH ASSOCIATES 5530 Wisconsin Avenue, Suite 1250 Chevy Chase, Maryland 20012	DATE: Jan, 1972

SDP-72-65C

APPROVED FOR PUBLIC WATER AND PUBLIC SEWERAGE SYSTEMS, HOWARD COUNTY HEALTH DEPARTMENT
 COUNTY HEALTH OFFICER *W. O. Falwell* DATE 6-28-72
 APPROVED HOWARD COUNTY OFFICE PLANNING & ZONING PLANNING DIRECTOR *W. O. Falwell* DATE 6-21-72
 CHIEF DIVISION OF LAND DEVELOPMENT & TRANSPORTATION PLANNING *W. O. Falwell* DATE 6-29-72
 APPROVED FOR PUBLIC WATER AND PUBLIC SEWERAGE STORM DRAINAGE SYSTEMS AND PUBLIC ROADS, HOWARD COUNTY DEPARTMENT OF PUBLIC WORKS
 DIRECTOR *W. O. Falwell* DATE 6-22-72
 CHIEF BUREAU OF HIGHWAYS *W. O. Falwell* DATE 6-22-72



PROFILES
 Scale: Horz. 1" = 50'
 Vert. 1" = 5'



RIP RAP PAVING DETAIL FOR STRUCTURE No. 5-1
 No Scale

STRUCTURE SCHEDULE				
NO.	TYPE	TOP ELEV.		REMARKS
		UPPER	LOWER	
S-1	C-Endwall			Howard Co. Std. D=24"
M-2	B-Manhole	433.20		Howard Co. Std. 4'x4'
I-3	A-10 Inlet	436.80	436.80	Howard Co. Std. W=2'-4"
I-4	A-10 Inlet	440.50	440.50	Howard Co. Std. W=2'-4"
M-5	B-Manhole	447.90		Howard Co. Std. 4'x4'
I-6	A-5 Inlet	554.10		Howard Co. Std. W=2'-4"
I-7	A-5 Inlet	448.10	448.10	Howard Co. Std. W=2'-4"
I-8	E-Inlet	446.30		W.S.C. Std. 2'-6" x 2'-6"

*Cost Inlet Frame in 4" Top Slab as per Howard Co. Std. C Inlet Drawing No. 64-C.

PIPE SCHEDULE		
SIZE	TYPE	LENGTH
12"	RCP CI III	21'
15"	RCP CI III	150'
15"	RCP CI IX	292'
18"	RCP CI IX	68'
21"	RCP CI III	113'
24"	RCP CI III	86'

APPROVED
 PLANNING BOARD
 OF HOWARD COUNTY
 DATE May 17, 1972
Thomas H. Harris



CLARK • FINEFROCK & SACKETT
 ENGINEERS • PLANNERS • SURVEYORS
 11161 NEW HAMPSHIRE AVENUE • SILVER SPRING, MARYLAND 20904 • (301) 593-3400

DESIGNED D.A.B.	STORM DRAINAGE PLAN PARCEL "A" COLUMBIA VILLAGE OF LONGREACH SECTION I AREA 4 6TH ELECTION DISTRICT HOWARD COUNTY, MARYLAND FOR: LONGREACH ASSOCIATES 5530 Wisconsin Avenue, Suite 1250 Chevy Chase, Maryland 20012	SCALE As Shown
DRAWN Guzon		DRAWING 2 of 2
CHECKED G.N.C.		JOB NO. 71-430
DATE Jan, 1972		FILE NO. 1045-D