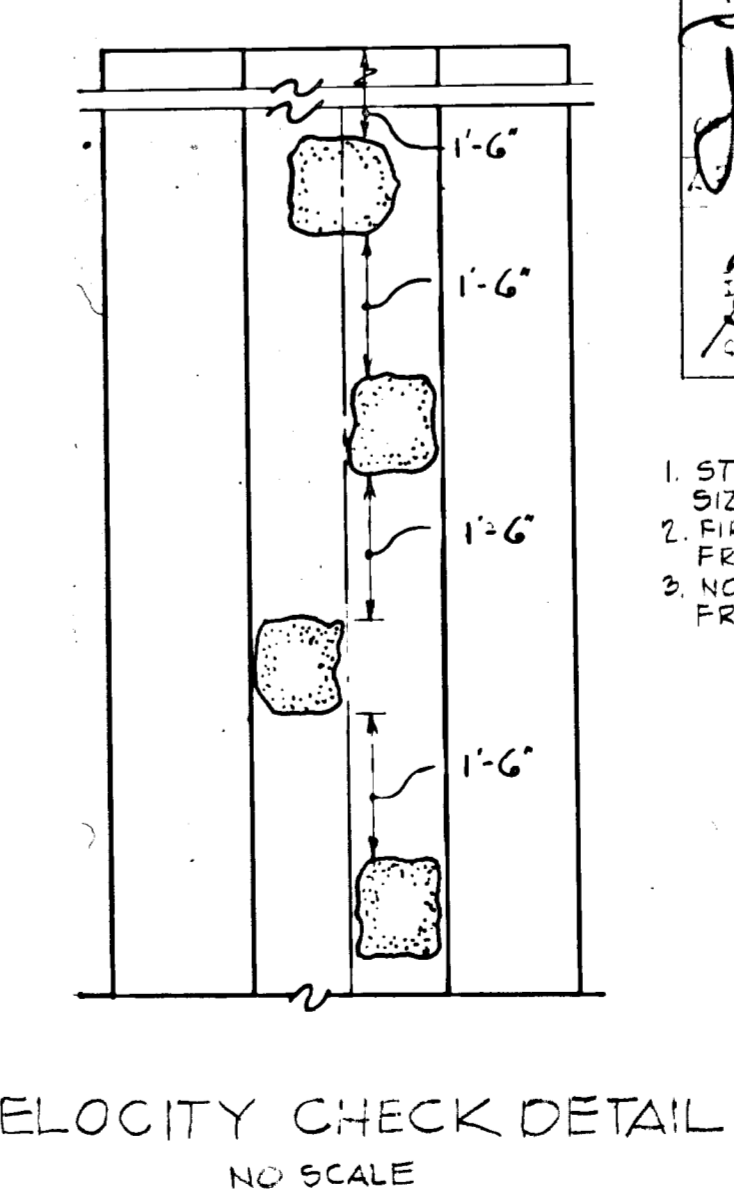
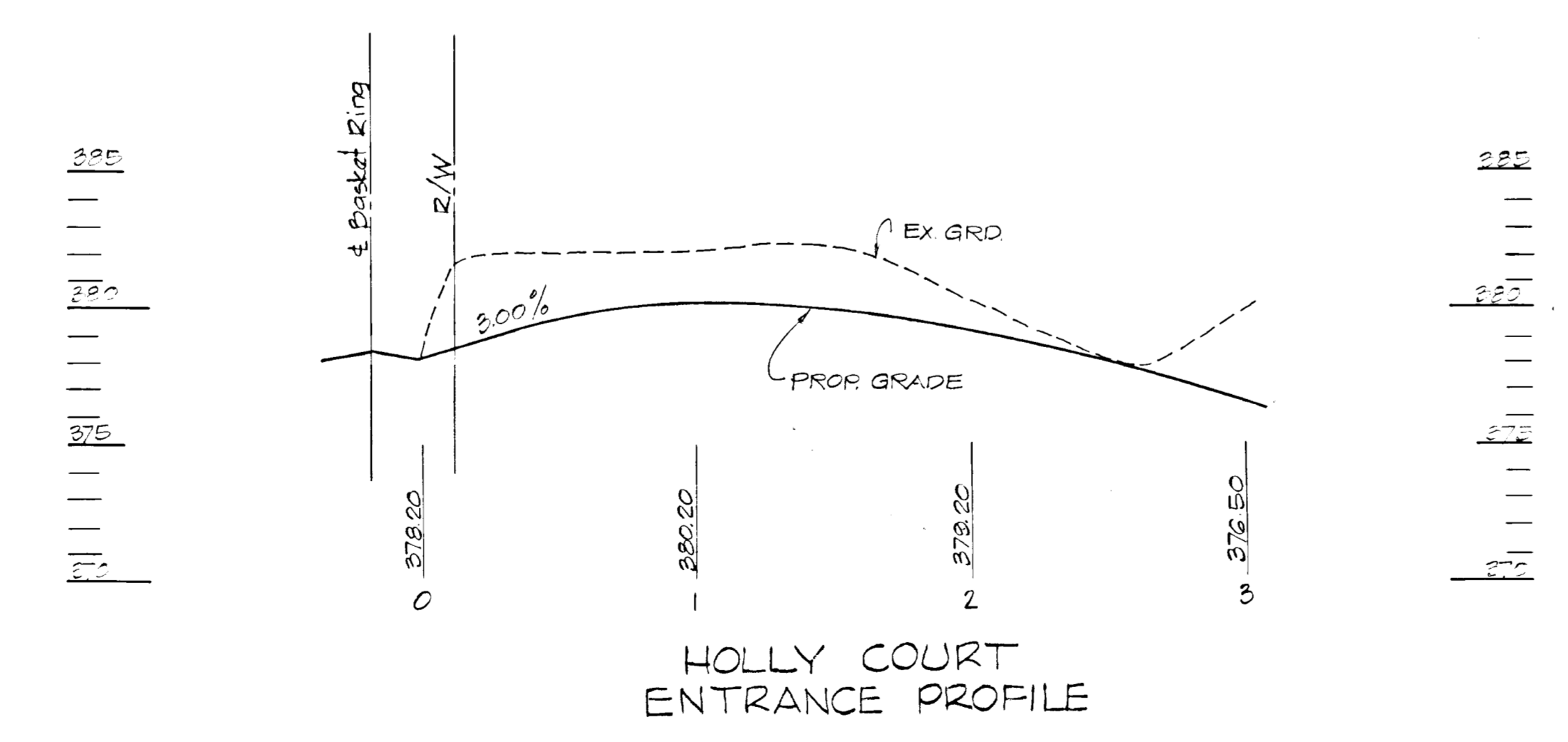
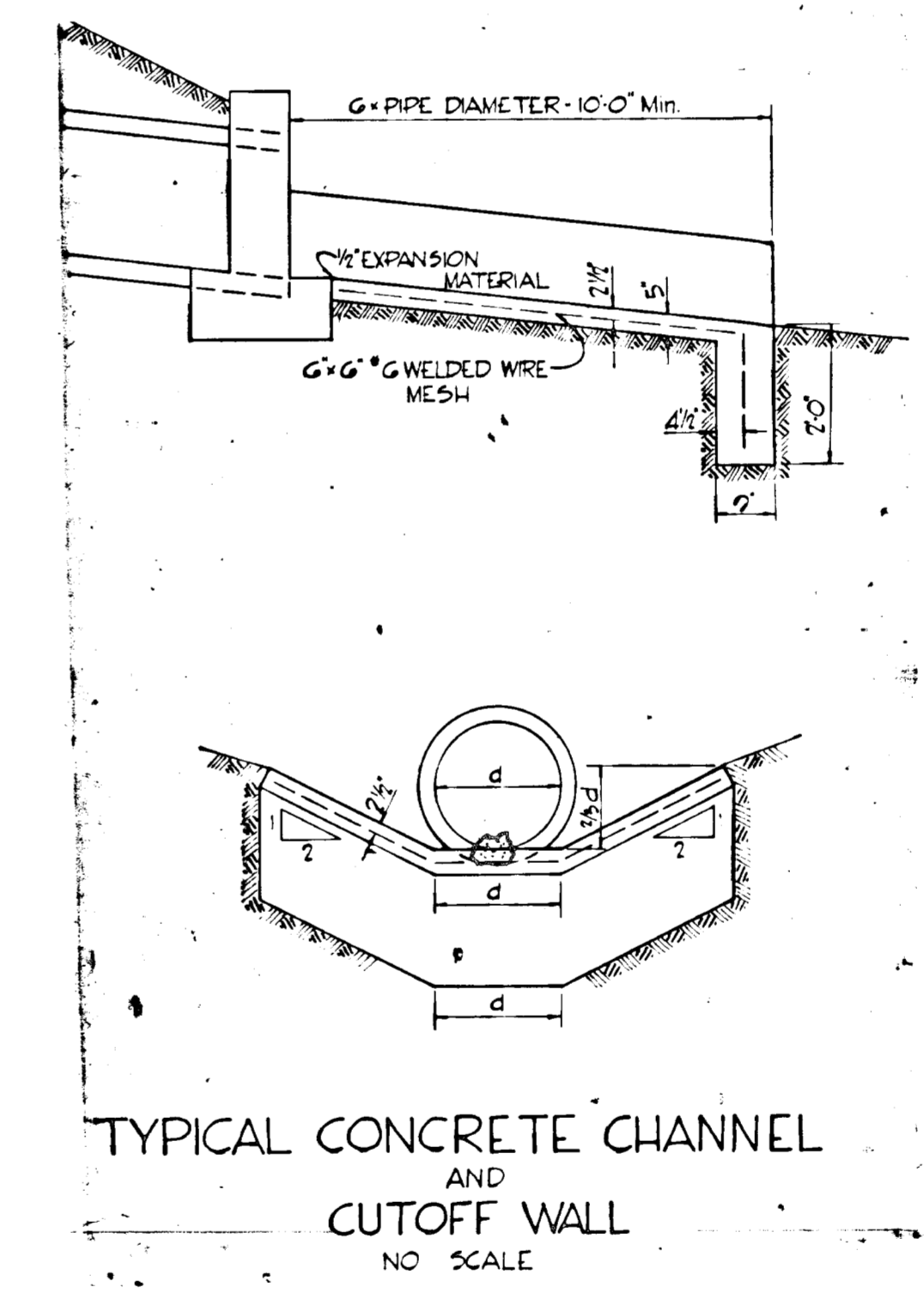
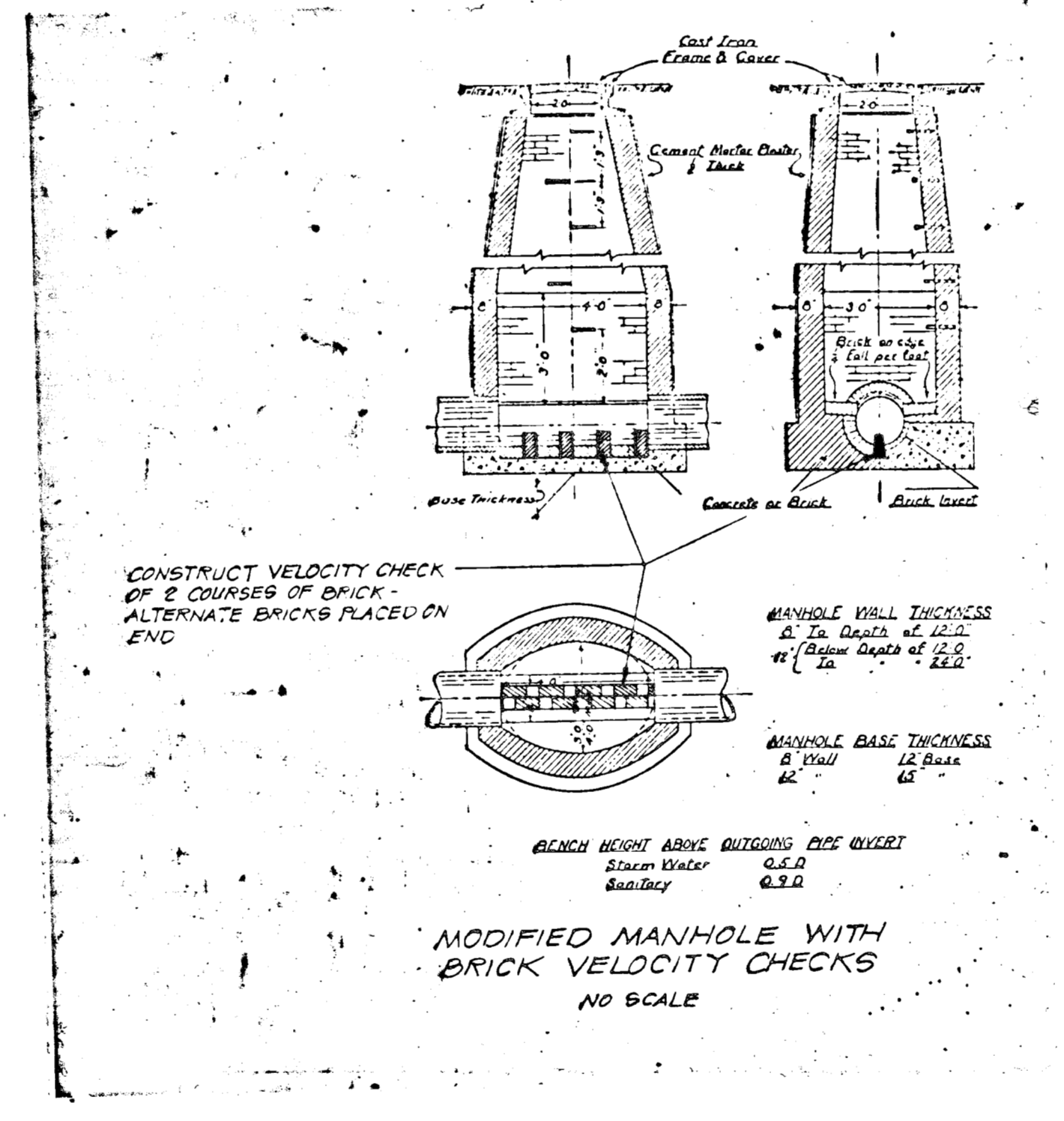
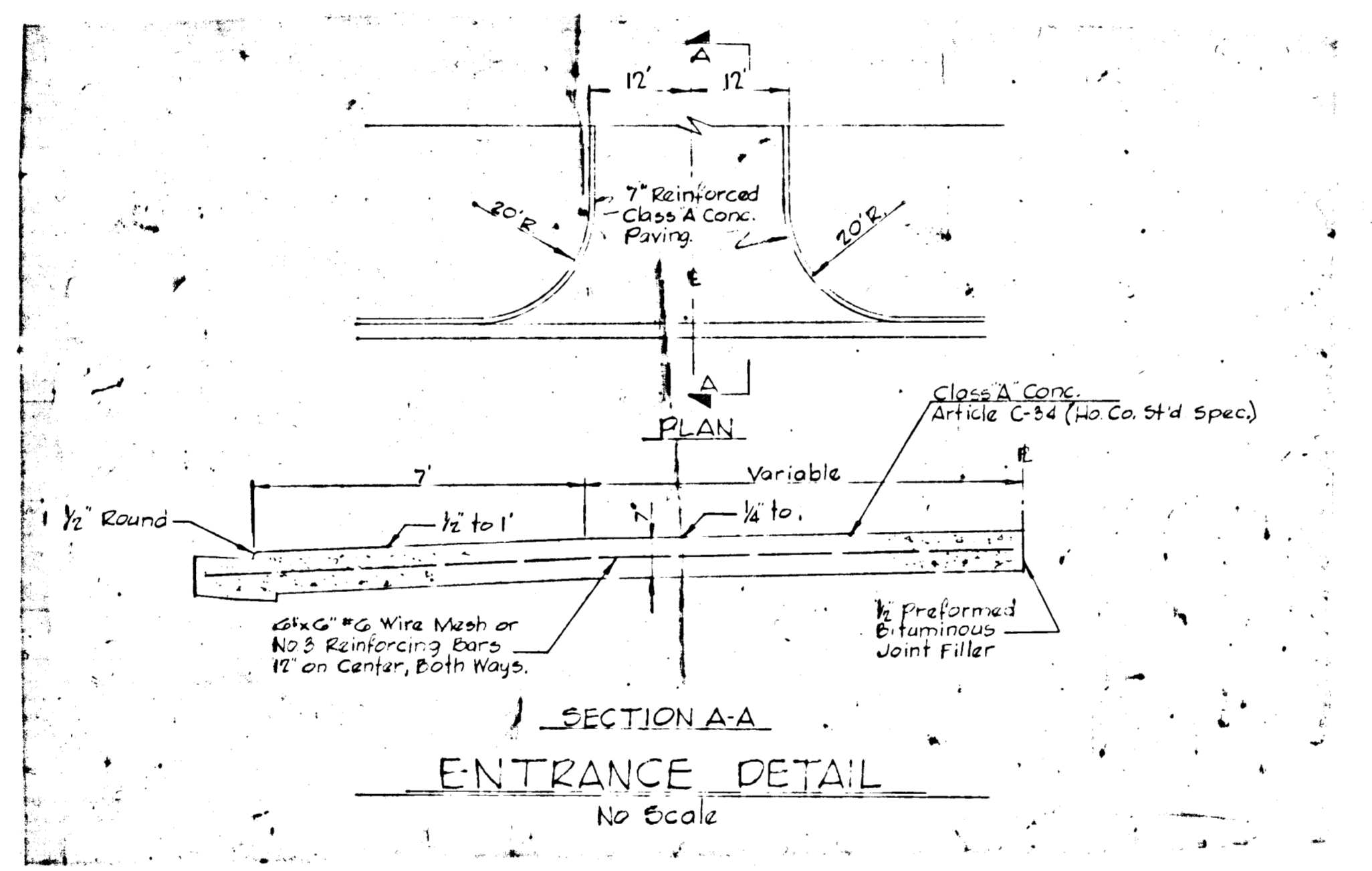
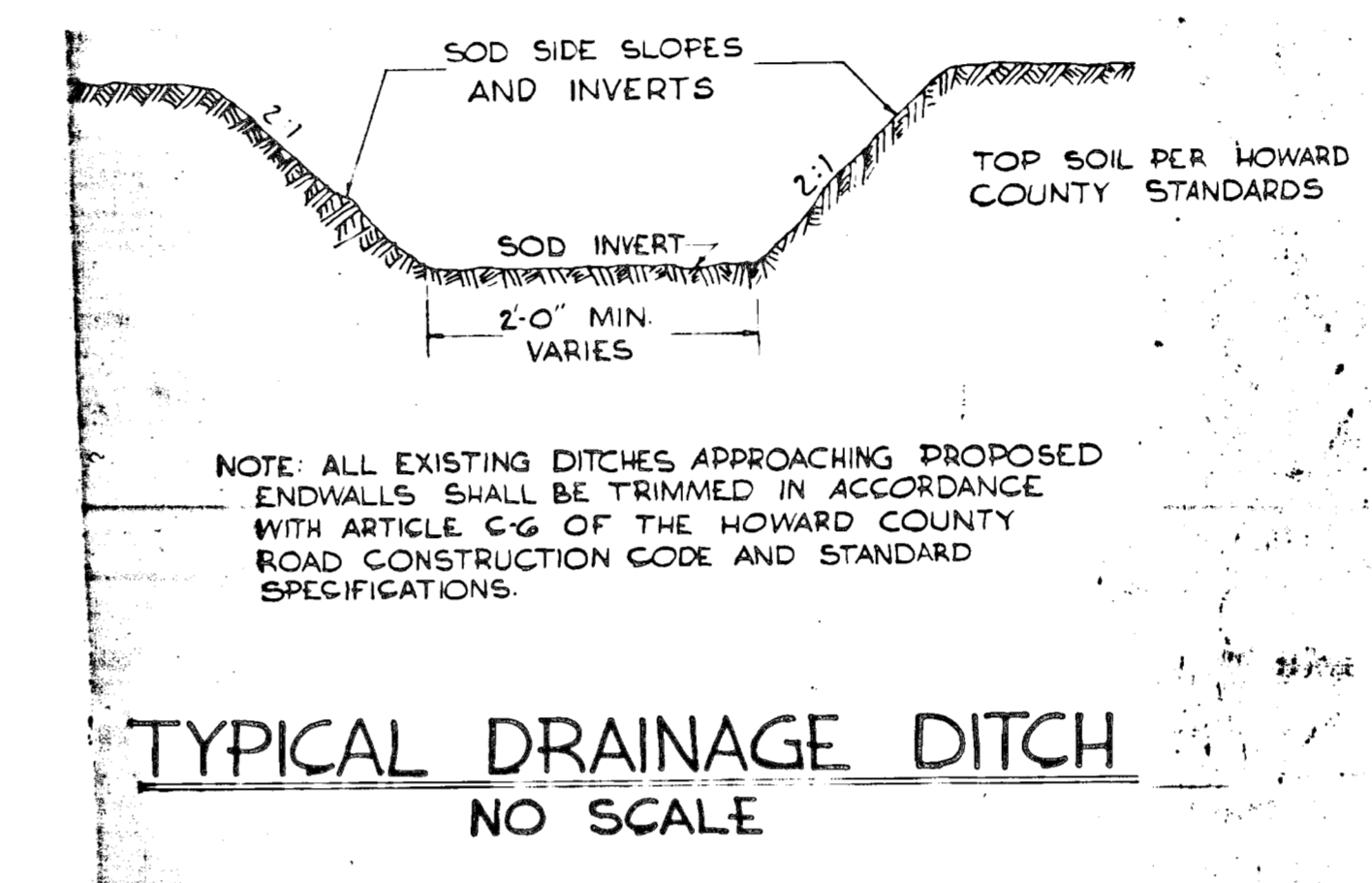
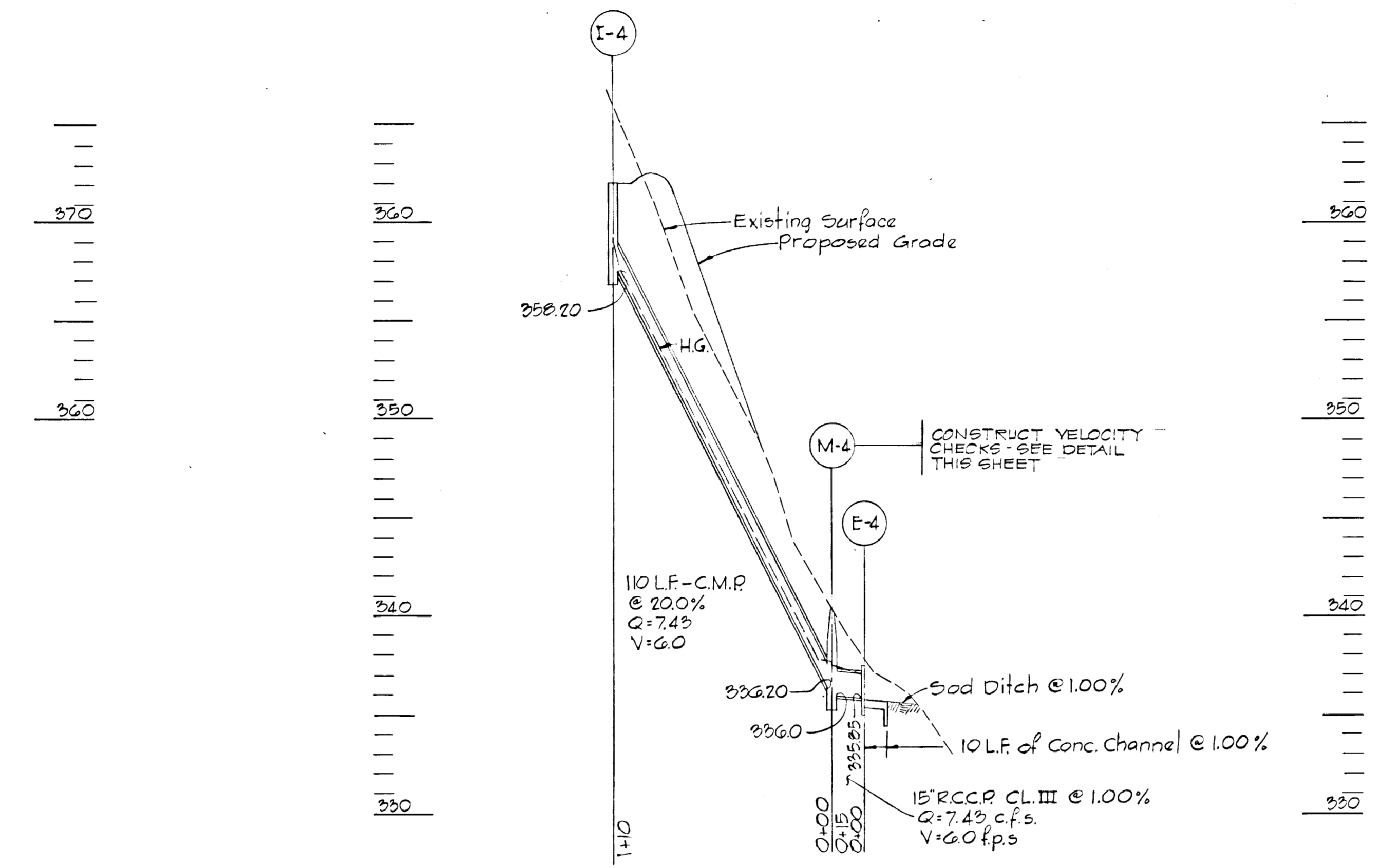
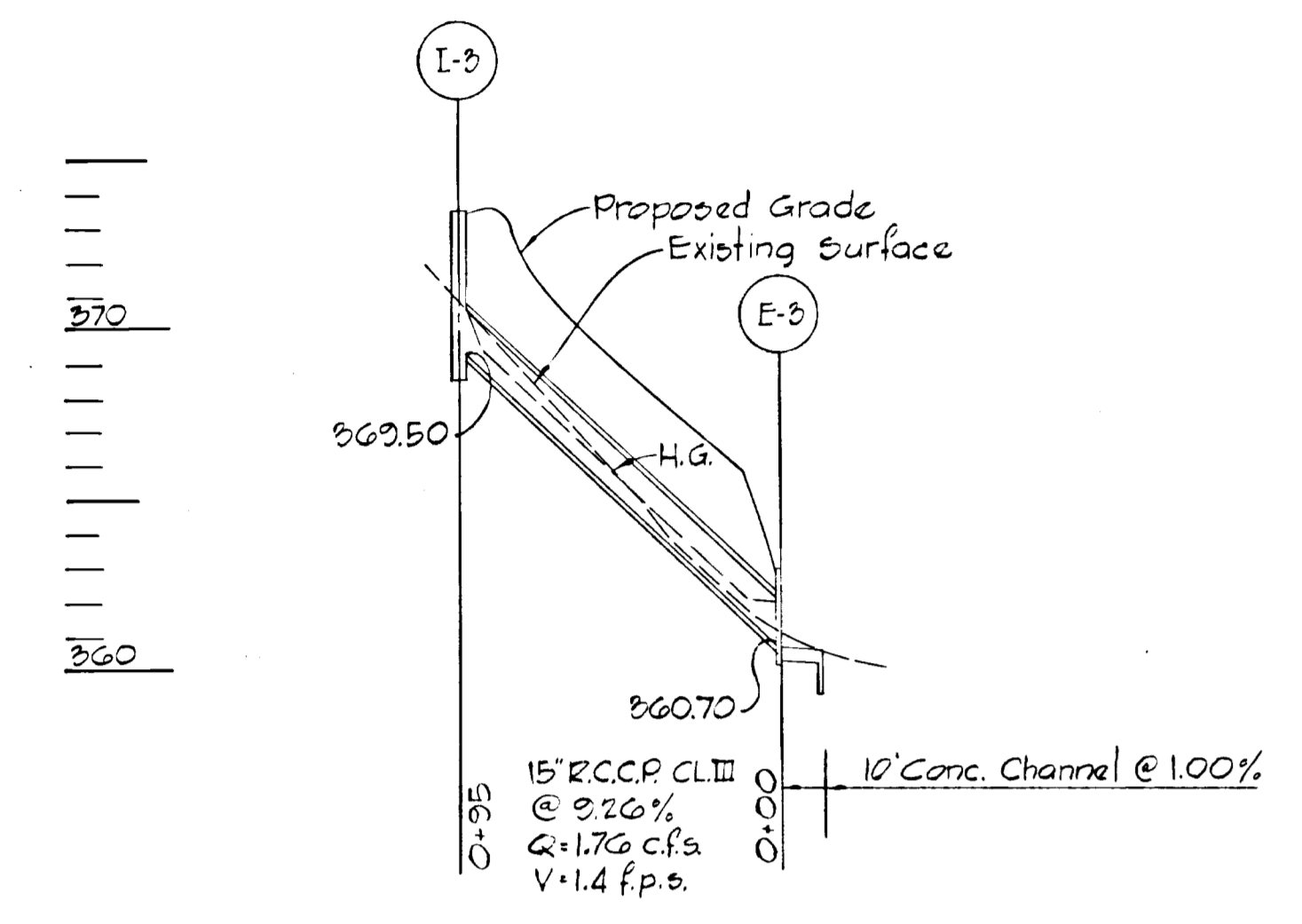


STORM DRAINAGE STRUCTURE SCHEDULE							
NO.	TYPE	LOCATION	INV.	IN	OUT	TOP ELEV.	REMARKS
E-2	TYPE A-5 INLET	SEE PLAN	362.50			373.20	H.C. CO. 514 Dwg. G-4-A, P. 102
E-3	TYPE C' ENDWALL	"			360.70		H.C. CO. 514 Dwg. D-52, P. 107
I-4	TYPE A-5 INLET	"			358.20	362.0	H.C. CO. 514 Dwg. G-4-A, P. 102
M-4	MOD. MANHOLE	"			336.20	340.00	H.C. CO. 514 Dwg. D-103, P. 150
E-4	TYPE C' ENDWALL	SEE PLAN			335.85		H.C. CO. 514 Dwg. D-52, P. 107



APPROVED: [Signature] 7-16-71
DATE: 7-16-71

APPROVED: [Signature] 7-16-71
DATE: 7-16-71

APPROVED: [Signature] 6/18/71
DATE: 6/18/71

- NOTES
1. STONES SHALL BE 1 MAN STONES, NORMAL SIZE SHALL BE 12" X 12" X 8"
 2. FIRST STONE SHALL BE PLACED 1/2" MINIMUM FROM END OF HEADWALL
 3. NO STONES ARE TO BE LOCATED WITHIN 3'-0" FROM END OF APRON.

ENGINEER
RESIDENTS

PROJECT NO. SDR-71-92-C
PARCEL "D"
STORM DRAIN
PROFILES & DETAILS

DATE: MAY 22, 1971

SCALE: HORIZ. 1"=50'
VERT. 1"=5'

[Signature]