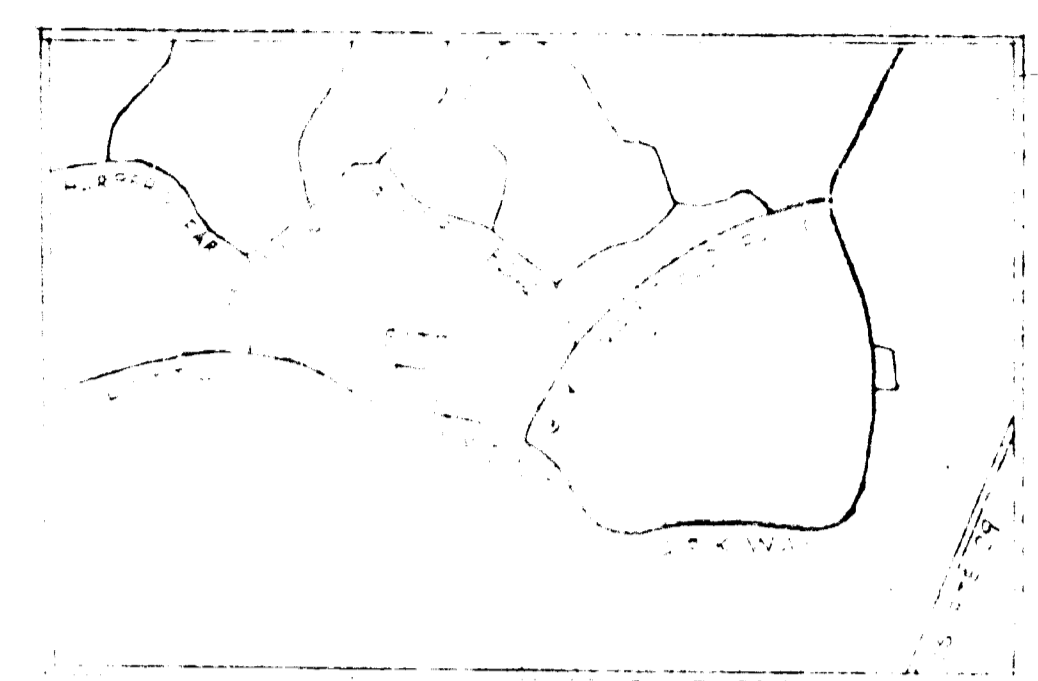
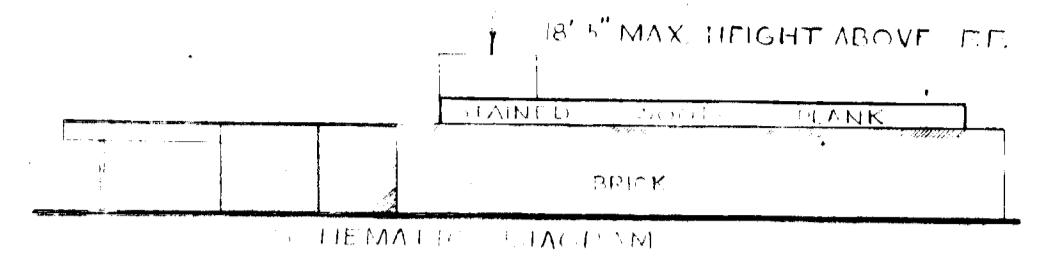


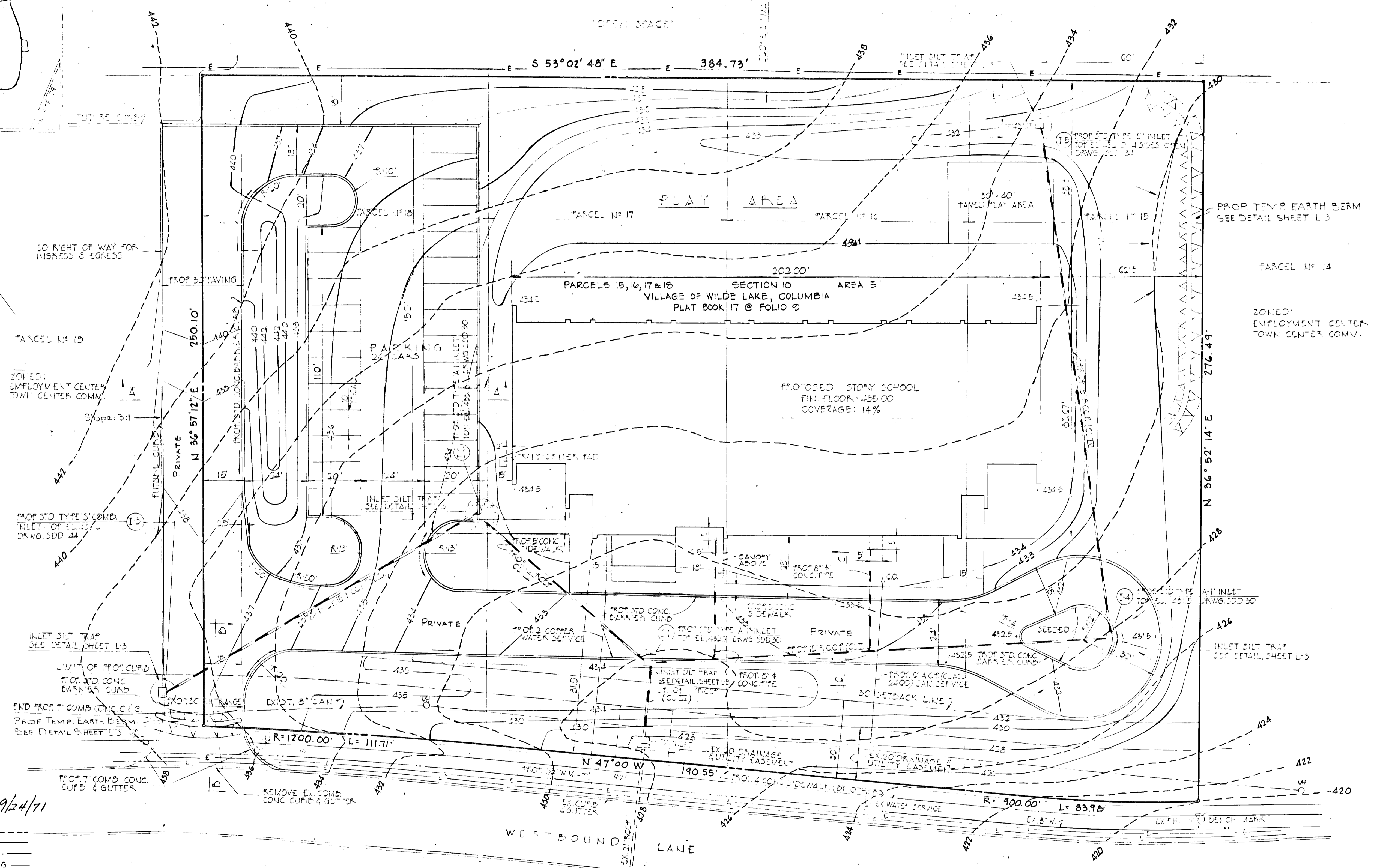
INDEX OF DRAWINGS

- L-1 SITE PLAN
- L-2 PLANTING AND SITE LIGHTING PLAN
- L-3 GROUND DRAIN AND SEDIMENT CONTROL DETAILS

BENCH MARK
ROAD SIDE SINKHOLE BOLT OF FIRE HYDRANT FRONT PARCELS 4316
ELEVATION 42.18



THE HOWARD RESEARCH & DEVELOPMENT CORPORATION
163, 100



THIS PLAN OF DEVELOPMENT IS APPROVED FOR SOIL EROSION AND SEDIMENT CONTROL BY THE HOWARD COUNTY SOIL CONSERVATION DISTRICT

DATE: 10/6/71
BY: James M. Tolson
DATE: 11/1/71
BY: Robert B. Campbell
DATE: 11/23/71
BY: R. B. Campbell
DATE: Aug 23, 1971
BY: William G. Rasch

APPROVED FOR PUBLIC WATER AND PUBLIC COVERAGE SYSTEMS, HOWARD COUNTY HEALTH DEPARTMENT

DATE: Oct 5, 1971
BY: [Signature]
DATE: 10-15-71
BY: [Signature]
DATE: 10-15-71
BY: [Signature]

APPROVED FOR PUBLIC WATER AND PUBLIC COVERAGE, STORM DRAINAGE SYSTEMS AND PUBLIC ROADS HOWARD COUNTY DEPARTMENT OF PUBLIC WORKS

DATE: 9/24/71
BY: [Signature]

LEGEND

EXISTING CONTOUR	---
PROPOSED CONTOUR	---
WATER LINE	---
GAS LINE	---
POWER LINE	---
SANITARY SEWER	---
STORM SEWER	---

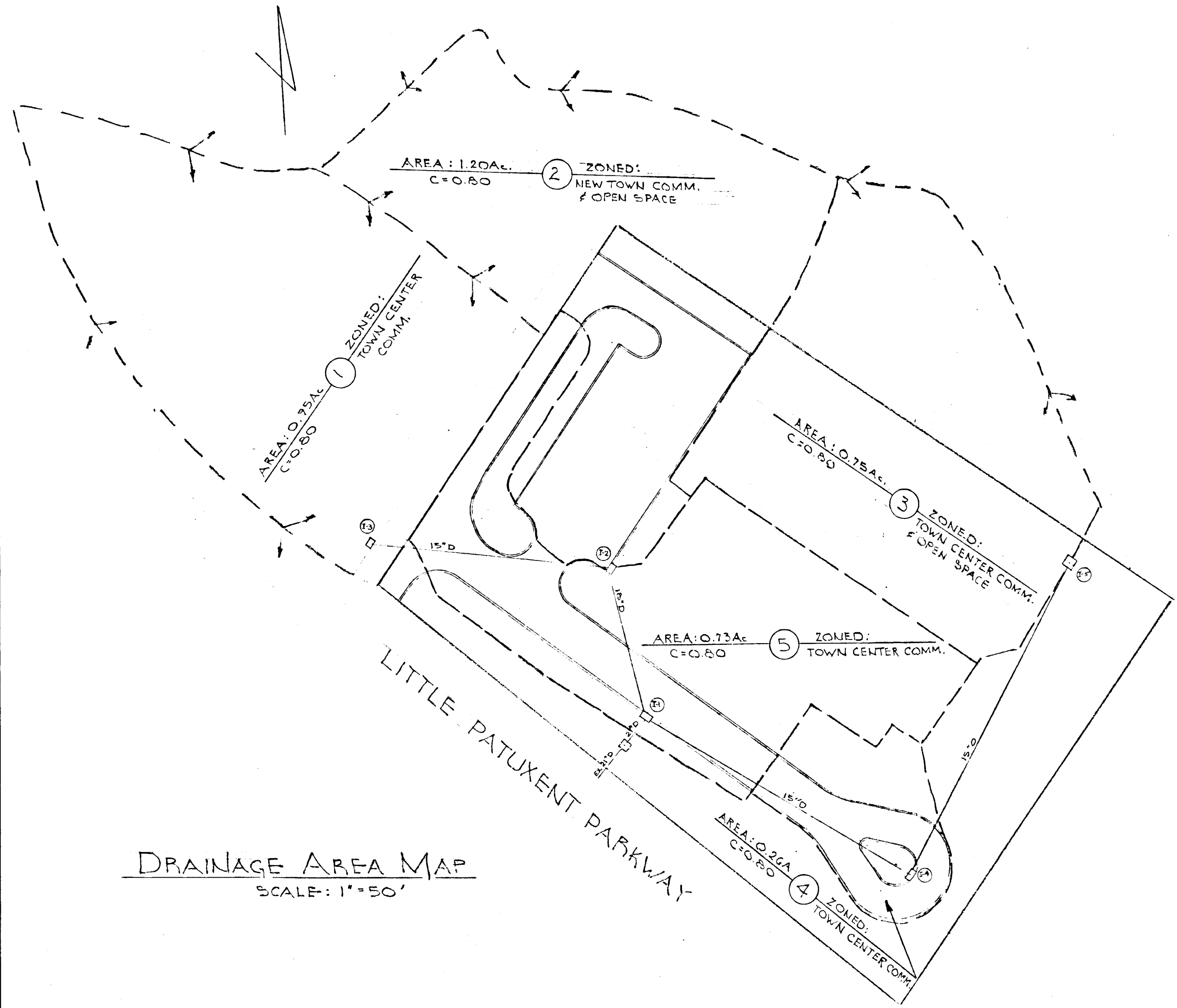
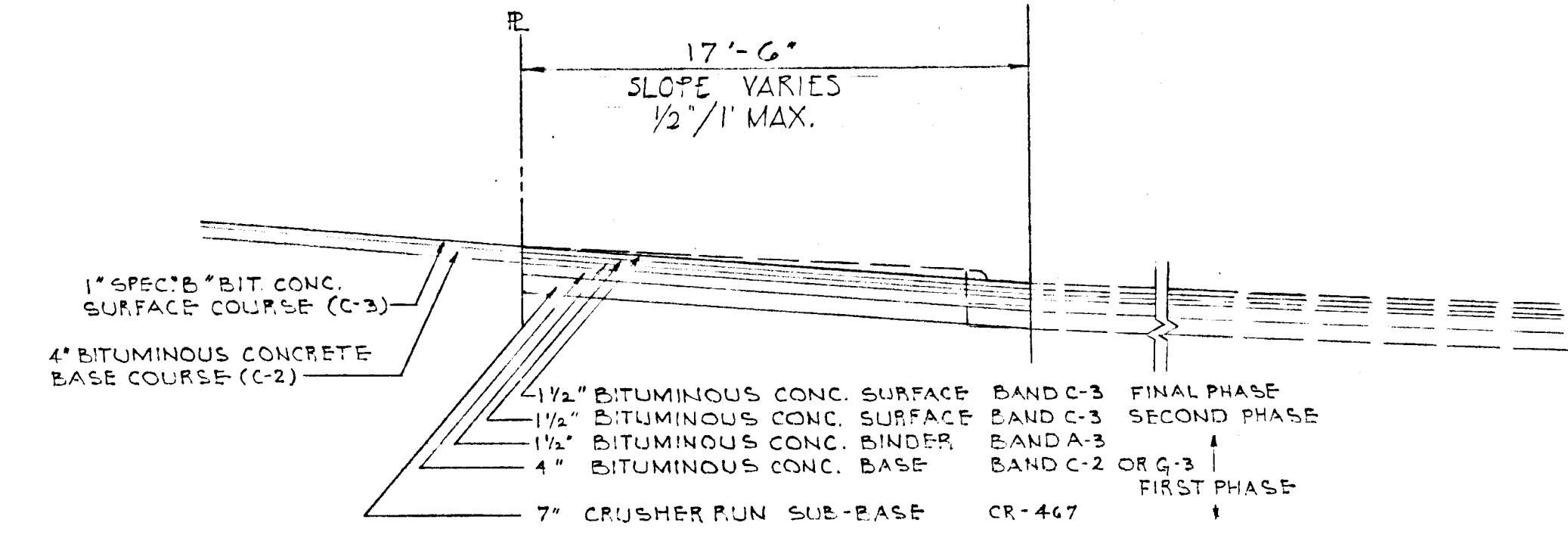
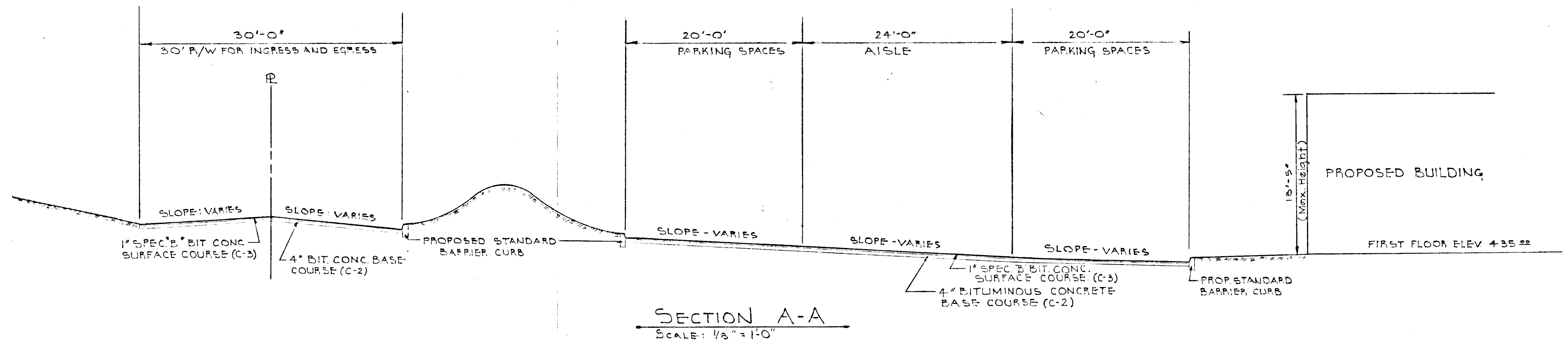
OWNER
SINGER LEARNING CENTER
1020 E. MARLTON PIKE
CHERRY HILL, NEW JERSEY
06034

NOTE:
INGRESS AND EGRESS RESTRICTED ALONG LITTLE PATUXENT PARKWAY EXCEPT AT ENTRANCE SHOWN.

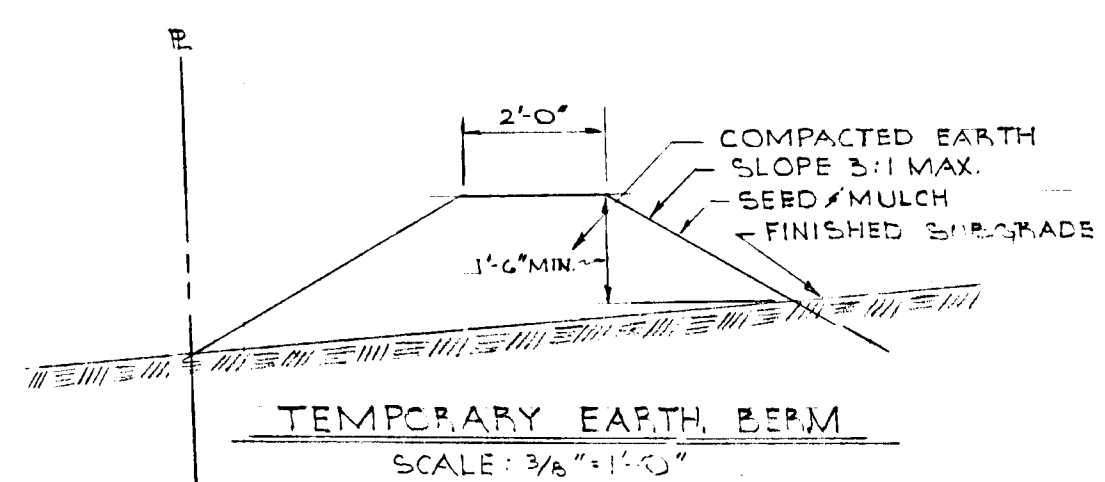
June 2, 1971
[Signature]

DATE	SCALE	NO. NO.
APRIL 5, 1971	1" = 30'	7026-9
SITE PLAN SINGER LEARNING CENTER PARCELS 15, 16, 17 & 18 SECTION 10 AREA 5 VILLAGE OF WILDE LAKE, COLUMBIA 45TH ELECT DIST - HOWARD COUNTY, MD.		1455 L-1
FOR ONLY USE BY ARCHITECT AND ENGINEER 1517 FARM AVENUE 5110 SOUTH GARDEN ROAD BETHESDA, MARYLAND		

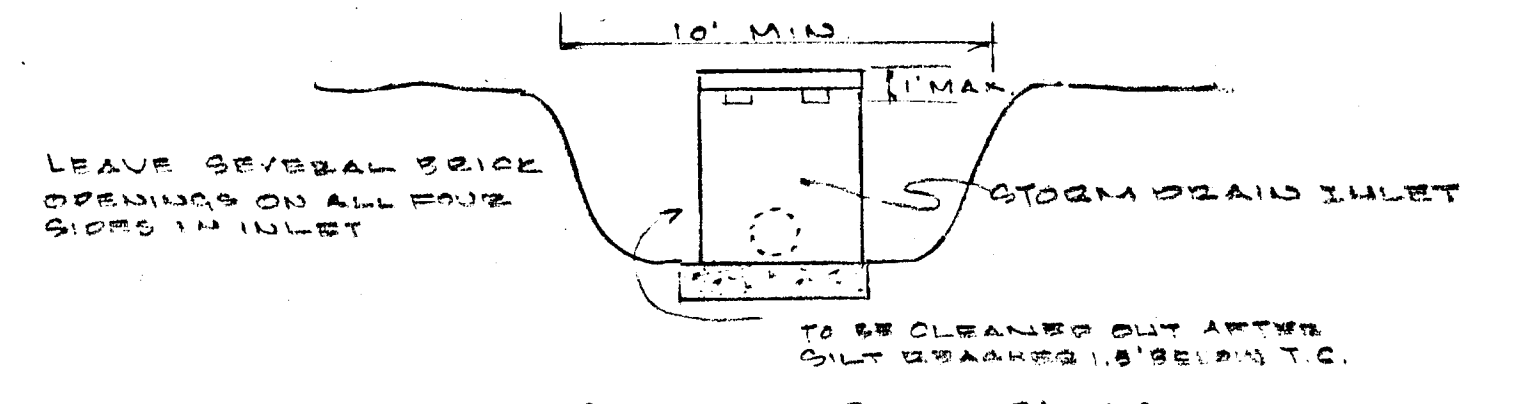
- GENERAL NOTES:**
- All construction shown hereon shall be in accordance with the Howard County Road Construction Code and Specifications dated Nov. 27, 1962 (Revised August 1968).
 - The location of existing utilities shown hereon are approximate only. Contractor shall locate existing utilities to his own satisfaction prior to making any connections.
 - The contractor shall notify the following utility companies prior to beginning any work shown hereon:
 - A. Bell Telephone System 393-3649
 - B. Long Distance Cable Division 393-3553 or 3554
 - C. Baltimore Gas and Electric Co. 539-8000 Ext. 691
 4. Site Analysis:
 - A. Gross Area: 101,190^{sq}
 - B. Present Zoning: Employment Center - Town Center Commercial
 - C. Proposed Use: Singer Learning Center
 - D. No parking requirement: 26 parking spaces provided.
 - E. Total No. of Employees: 20
 5. Final Development Criteria: Phase 4B, Village of Wilde Lake - Recorded in Plat Book 16 Folio 97 to 100
 6. No Fences, Walls or Signs to be Constructed.



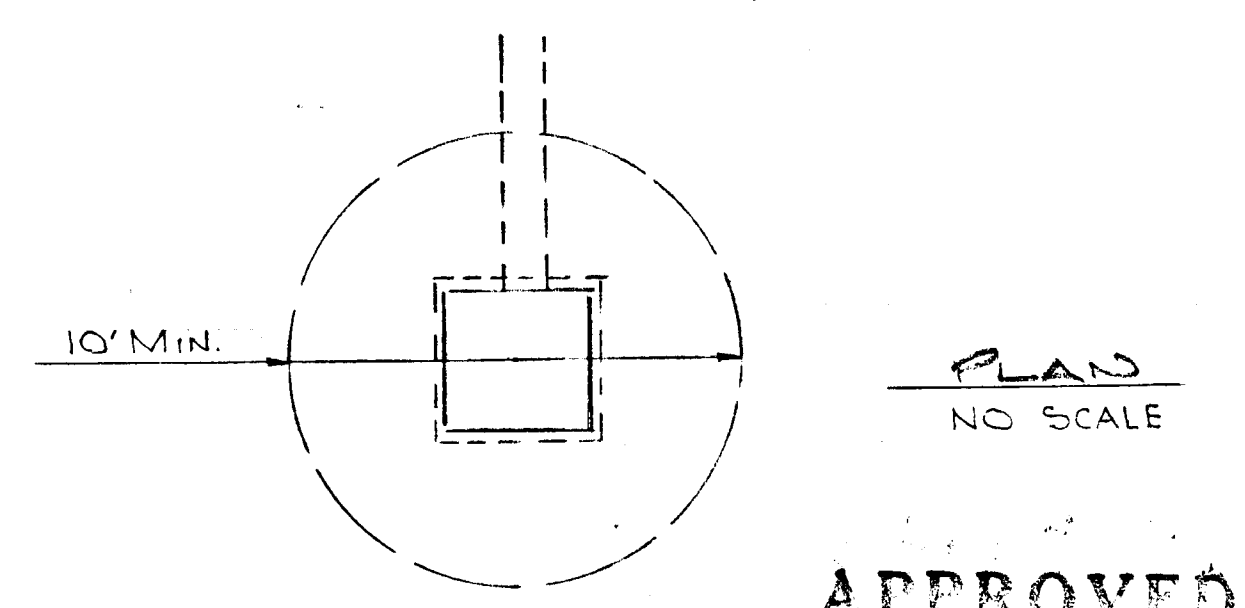
DRAINAGE AREA MAP
SCALE: 1"=50'



- EROSION NOTES:**
- EROSION TRENCHES (OR BARRIERS) WILL BE UTILIZED TO REDUCE SLOPE LENGTHS WHERE POSSIBLE, DURING LAND GRADING OPERATIONS.
 - The developer shall notify the Howard County Soil Conservation Service at least 24 hours prior to beginning any construction shown hereon.
 - All disturbed areas shall be stabilized by seeding and/or sodding in accordance with Standards and Specifications for Soil Erosion and Sediment Control in Urbanizing Areas, for critical area stabilization, immediately following earthwork operation.
 - STORM SEWER INLETS LOCATED BELOW HIGH SILT PRODUCING AREAS WILL BE PROTECTED BY THE USE OF ADEQUATE SILT TRAPS DURING CONSTRUCTION.
 - Sediment control measures must be installed prior to grading operation.



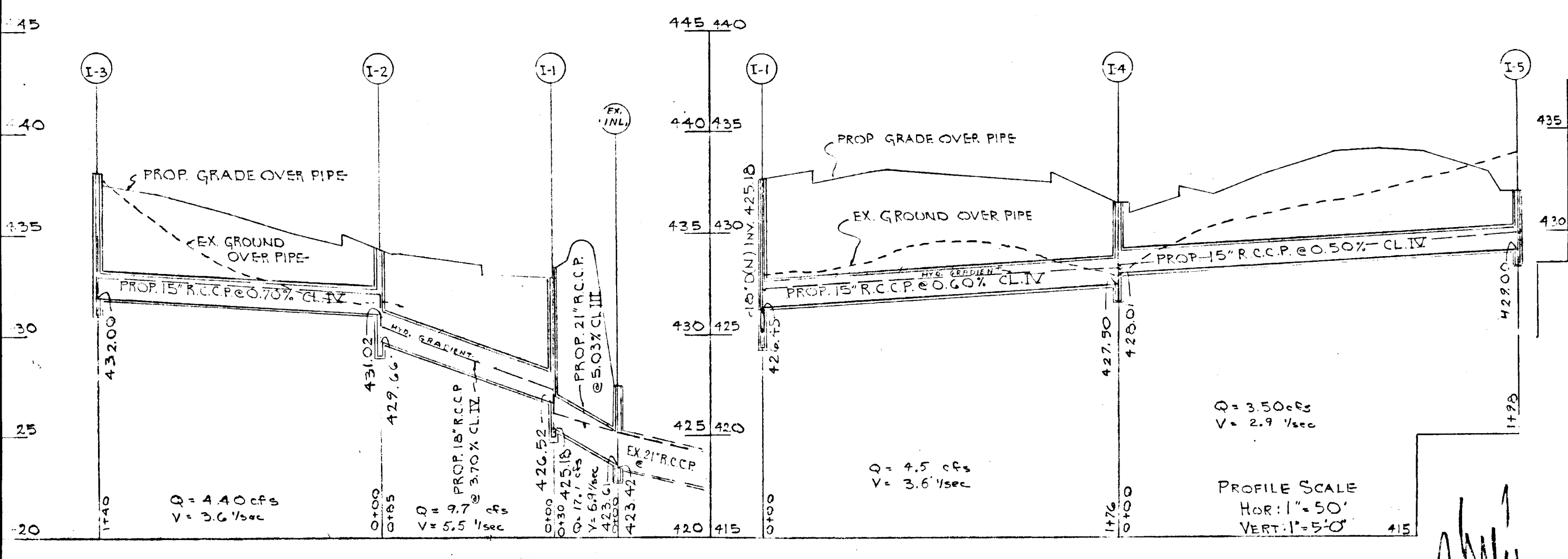
CROSS SECTIONS



APPROVED
PLANNING BOARD
OF HOWARD COUNTY
DATE: June 18, 1971
Thomas H. Hamby

STRUCTURE SCHEDULE

NO.	T. TYPE	INV. IN	INV. OUT	TOP EL.	REMARKS
I-1	A1 INLET	426.52'	425.15'	432.7'	DRWG. SDD 30
I-2	A1 INLET	431.02'	429.66'	433.85'	DRWG. SDD 30
I-3	S-COMB INLET		432.00'	432.5'	DRWG. SDD 44
I-4	A1 INLET	428.01'	427.50'	431.5'	DRWG. SDD 30
I-5	D INLET		429.00'	432.0'	DRWG. SDD 34



NO.	ISSUE OR REVISION	DATE

DETAILS
SINGER LEARNING CENTER
LOTS 15, 16, 17 & 18
SECTION 10 - AREA 5
VILLAGE OF WILDE LAKE, COLUMETIA
ELECT. DIST. - HOWARD COUNTY, MD.

PURDUM / JESCHKE
CONSULTING
ENGINEERS
3677 PARK AVENUE
ELLCOTT CITY, MARYLAND

DETAILS STORM DRAIN AND SEDIMENT CONTROL	2 of 3 L-3
DATE: APRIL 19, 1971	SCALE: AS SHOWN
JOB NO.:	7026-9

SR 7-720