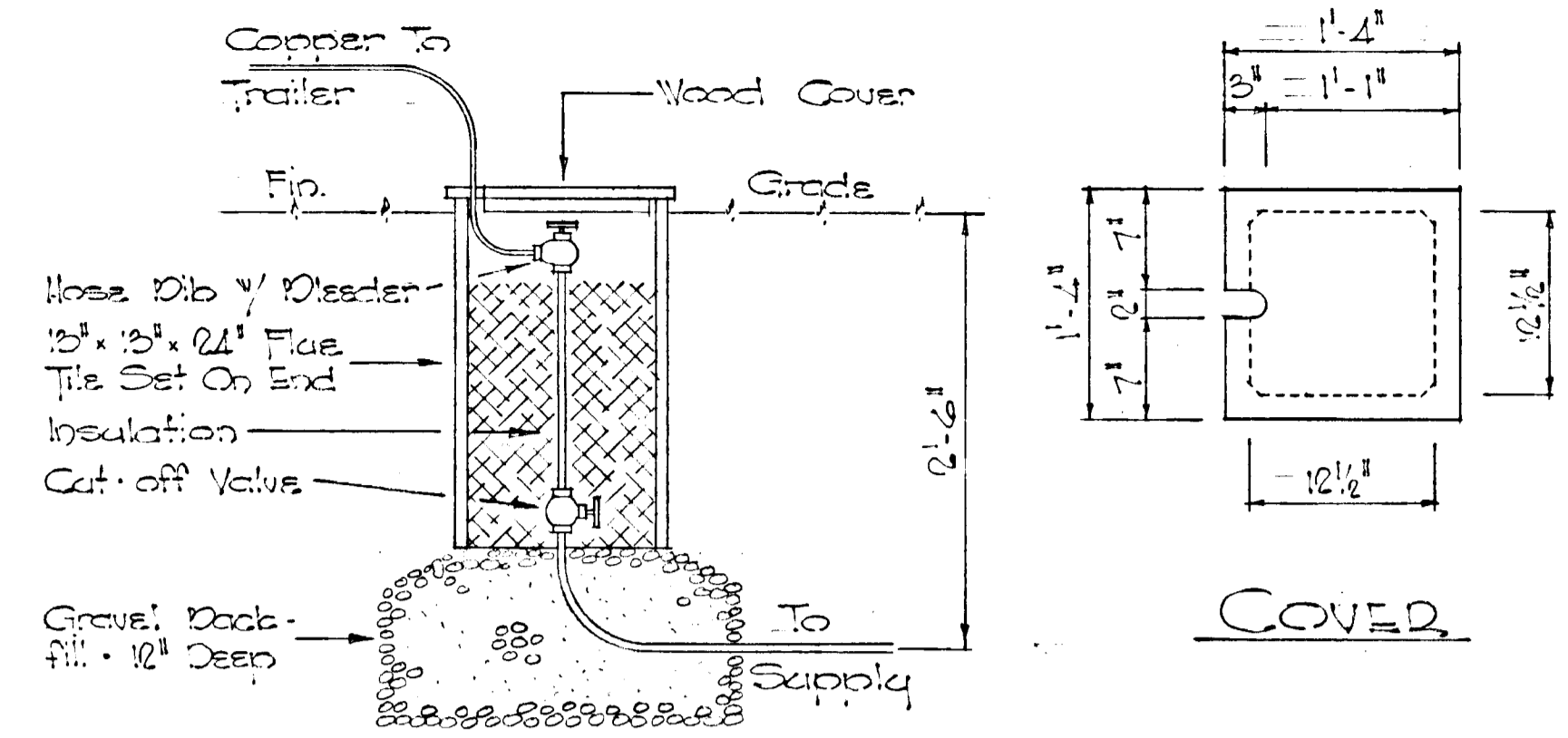
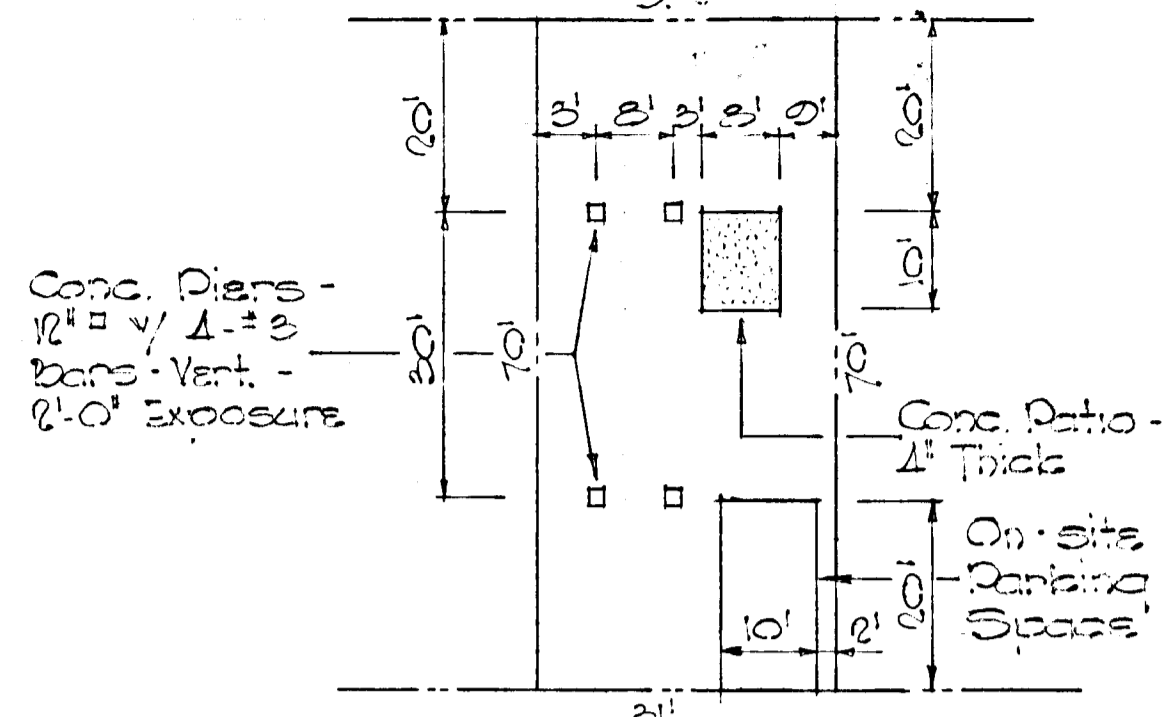


SEWER RISER & CLEAN-OUT
N^o Scale

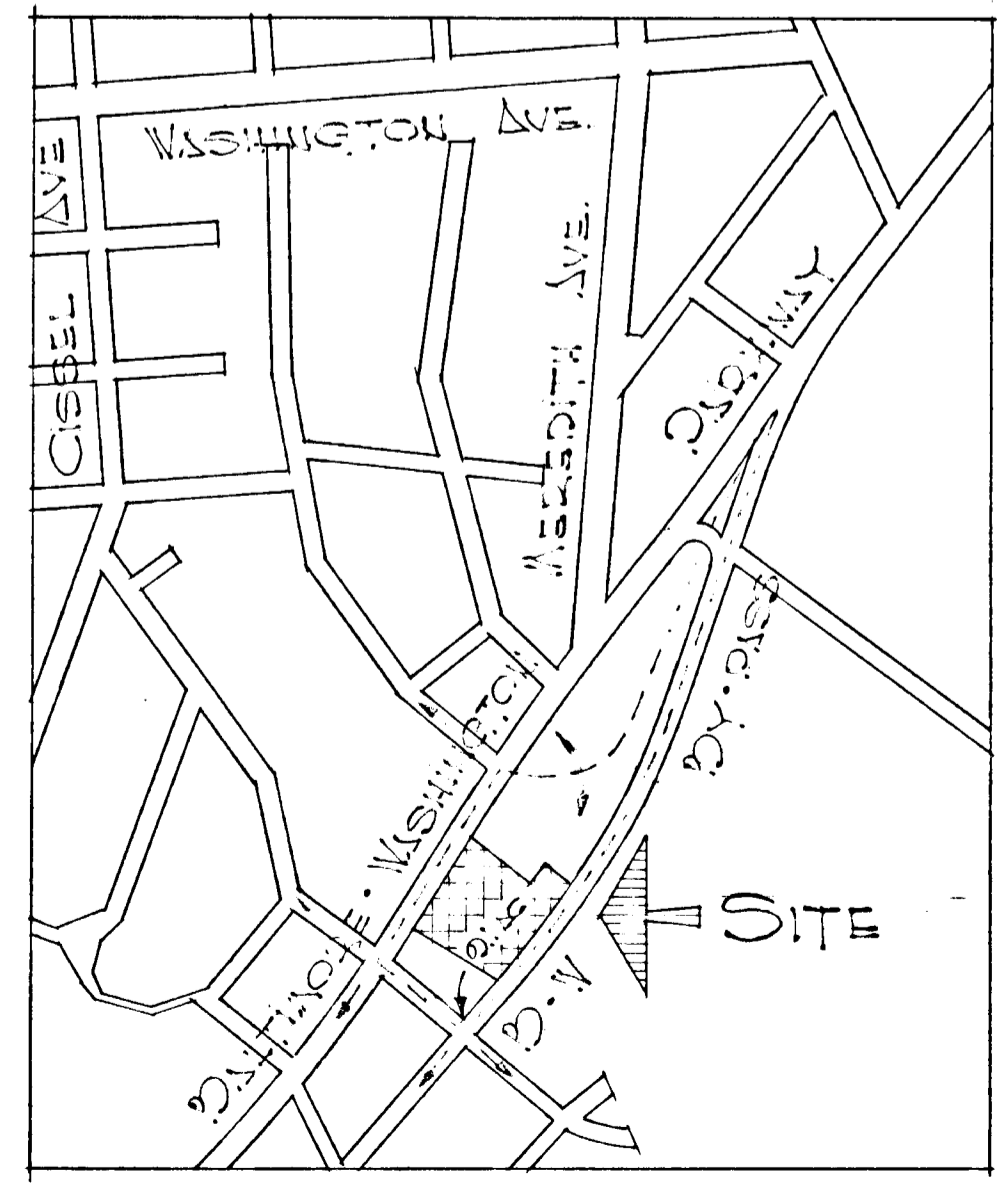
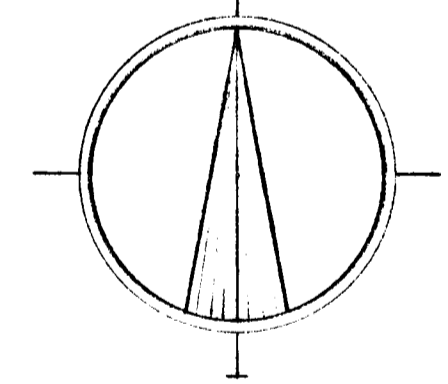


SECTION
WATER VAULT
N^o Scale



SERVICE ROAD
TRAILER SITE
N^o Scale

- SITE ANALYSIS**
- a. Existing Zoning : D-2
 - b. Acreage : 2.222
 - c. Board of Zoning Appeals Case No. : 556-C
 - d. Existing Trailers : 16
 - e. Proposed Additional Trailers : 16
 - f. Total Trailers : 32
 - g. Tax Map No. : 250
 - h. Parcel No. : 1202
 - i. All Slopes to be Sealed to Prevent Erosion.
 - j. No Fences or Walls to be Construction on this Site.
 - k. Paving to be in Accordance with Section 22 of the Howard County Zoning Regulations.
 - l. Vehicular Access and Egress Along With Lines of U.S. Route #1 is Designated Except at Points Approved by the Maryland State Roads Commission.
 - m. Total Driveway Spaces Req'd. : 10
 - n. Total Parking Spaces Req'd. : 50
 - o. Property Plat Recorded in Plat Book 17 at Folio 33 on May 27, 1969



LOCATION & DRAINAGE MAP
Scale: 1"=600'



George Ridgely Kelley

PLAN
Scale: 1"=30'

UTILITY LEGEND

| | |
|-------------------------|------|
| Water Service | --- |
| Water Vault | —○— |
| Sewer Service | ==== |
| Sewer Riser | —○— |
| Sewer Riser & Clean-out | —○— |
| Electrical Service | — — |
| Lighting Standards | —4D— |
| Fire Extinguishers | —X— |
| Storm Drain | ==== |

SITE AND UTILITY PLAN
S AND M TRAILER COURT
SIXTH ELECTION DISTRICT
HOWARD COUNTY, MARYLAND
SCALE: 1"=30'
DECEMBER, 1968

OWNER: COHEN & MASON
5650 2nd St., N.E.
WASHINGTON, D.C. 20011

FREY, SHEEHAN, STOKER & ASSOC.
LAND PLANNING CONSULTANTS
SILVER SPRING, MARYLAND
588-5464

APPROVED FOR PUBLIC WATER AND PUBLIC SEWERAGE SYSTEMS, HOWARD COUNTY HEALTH DEPARTMENT.
Robert H. May May 19, 1969
COUNTY HEALTH OFFICER

APPROVED HOWARD COUNTY OFFICE OF PLANNING AND ZONING
Thomas J. Horn 5-28-69
PLANNING AND ZONING OFFICER

APPROVED FOR PUBLIC WATER, PUBLIC SEWERAGE AND STORM DRAINAGE SYSTEMS AND ROADS
William S. May 5-28-69
SUPERVISOR OF LAND USE

HOWARD COUNTY DEPARTMENT OF PUBLIC WORKS
William S. May 5-28-69
SUPERVISOR OF PUBLIC WORKS