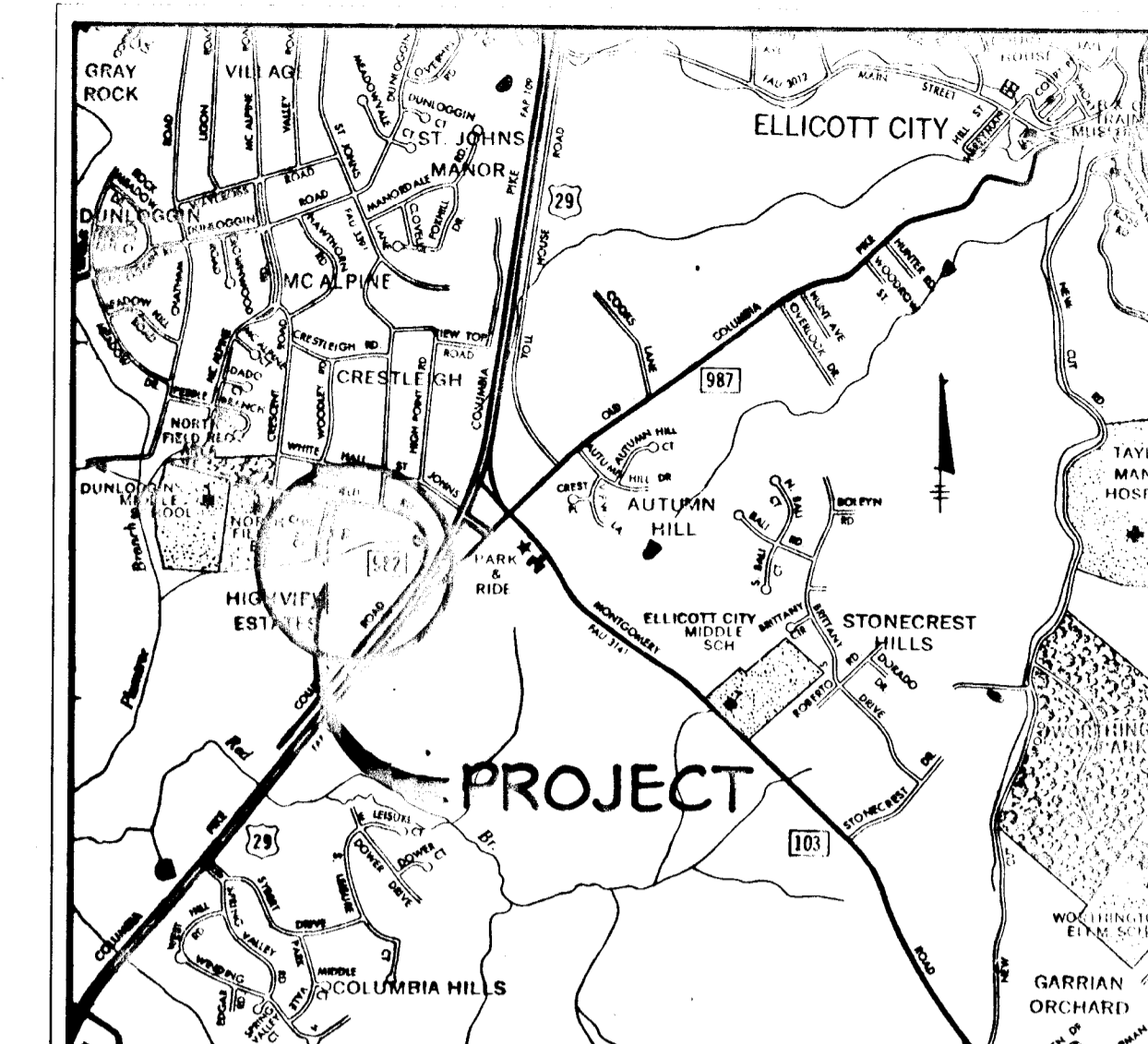


- SEQUENCE OF CONSTRUCTION
1. OBTAIN GRADING PERMIT.
 2. INSTALL SILT FENCE.
 3. INSTALL STORM WATER MANAGEMENT POND AND STRUCTURE.
 4. SEED DISTURBED AREA AS PER PERMANENT SEEDING NOTES.
 5. UPON APPROVAL OF HOWARD SOIL CONSERVATION DISTRICT, REMOVE ALL SEDIMENT CONTROL DEVICES.



VICINITY MAP
Scale 1"=2000'

THIS DEVELOPMENT PLAN IS APPROVED FOR SOIL EROSION AND SEDIMENT CONTROL BY THE HOWARD SOIL CONSERVATION DISTRICT.

William J. Ryan 7-7-82
HOWARD S.C.D. DATE

APPROVED: FOR PUBLIC WATER AND PUBLIC SEWERAGE SYSTEMS, HOWARD COUNTY HEALTH DEPARTMENT.

COUNTY HEALTH OFFICER DATE

APPROVED: HOWARD COUNTY OFFICE OF PLANNING AND ZONING.

PLANNING DIRECTOR DATE

William E. Riley 8-23-82
CHIEF, DIVISION OF LAND DEVELOPMENT AND ZONING ADMINISTRATION DATE

APPROVED: FOR PUBLIC WATER, PUBLIC SEWERAGE, STORM DRAINAGE SYSTEMS AND PUBLIC ROADS.

HOWARD COUNTY DEPARTMENT OF PUBLIC WORKS

DIRECTOR DATE

William E. Riley 8-23-82
CHIEF, BUREAU OF ENGINEERING DATE

2-1-82 REVISOR AS PER H.C. COMMENTS DATED 1-14-82
DATE NO. REVISION

OWNER/DEVELOPER
ALAN C. BORG
10765 CLARKSVILLE PIKE
COLUMBIA, MARYLAND 21044

PROJECT: TEMORA

AREA TAX MAP NO. 24 PARCEL 800
2ND ELECTION DISTRICT
HOWARD COUNTY, MARYLAND

TITLE: STORM WATER MANAGEMENT PLAN, PROFILE, AND DETAILS

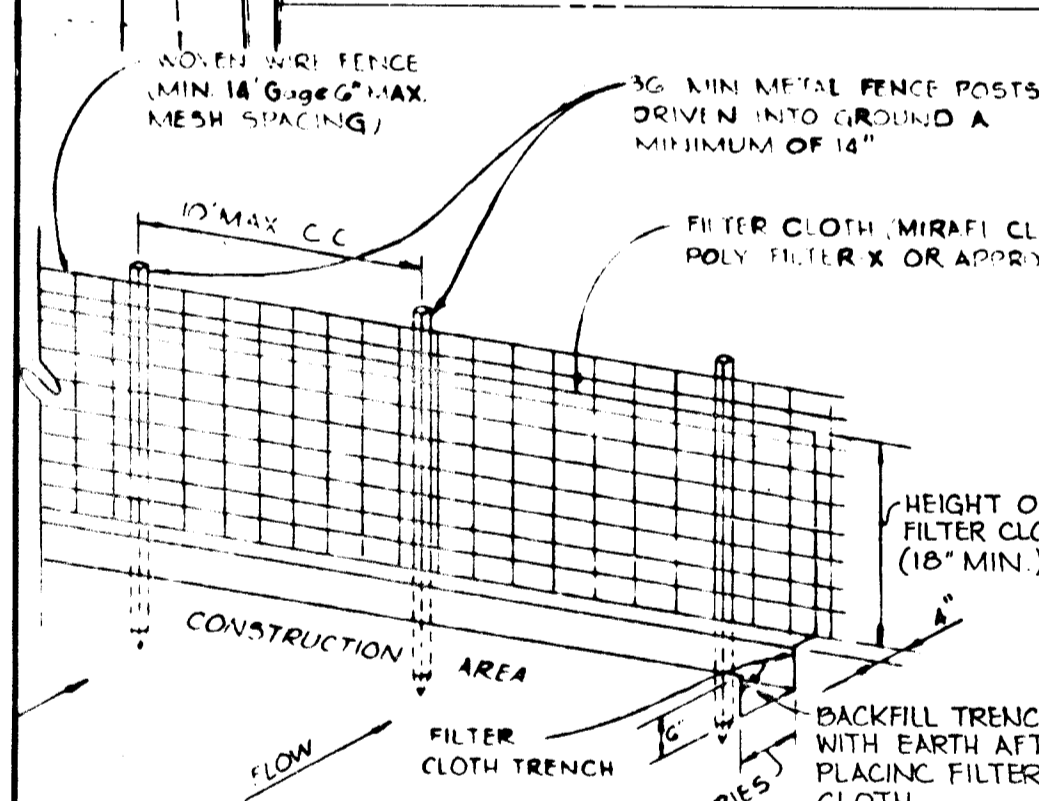
REVIEWED FOR HOWARD COUNTY S.C.D. AND MEETS TECHNICAL REQUIREMENTS
James M. Helen 7/29/82
S.O. SOIL CONSERVATION SERVICE DATE

THE ENGINEER:
James K. Tracy 7-8-82
DATE

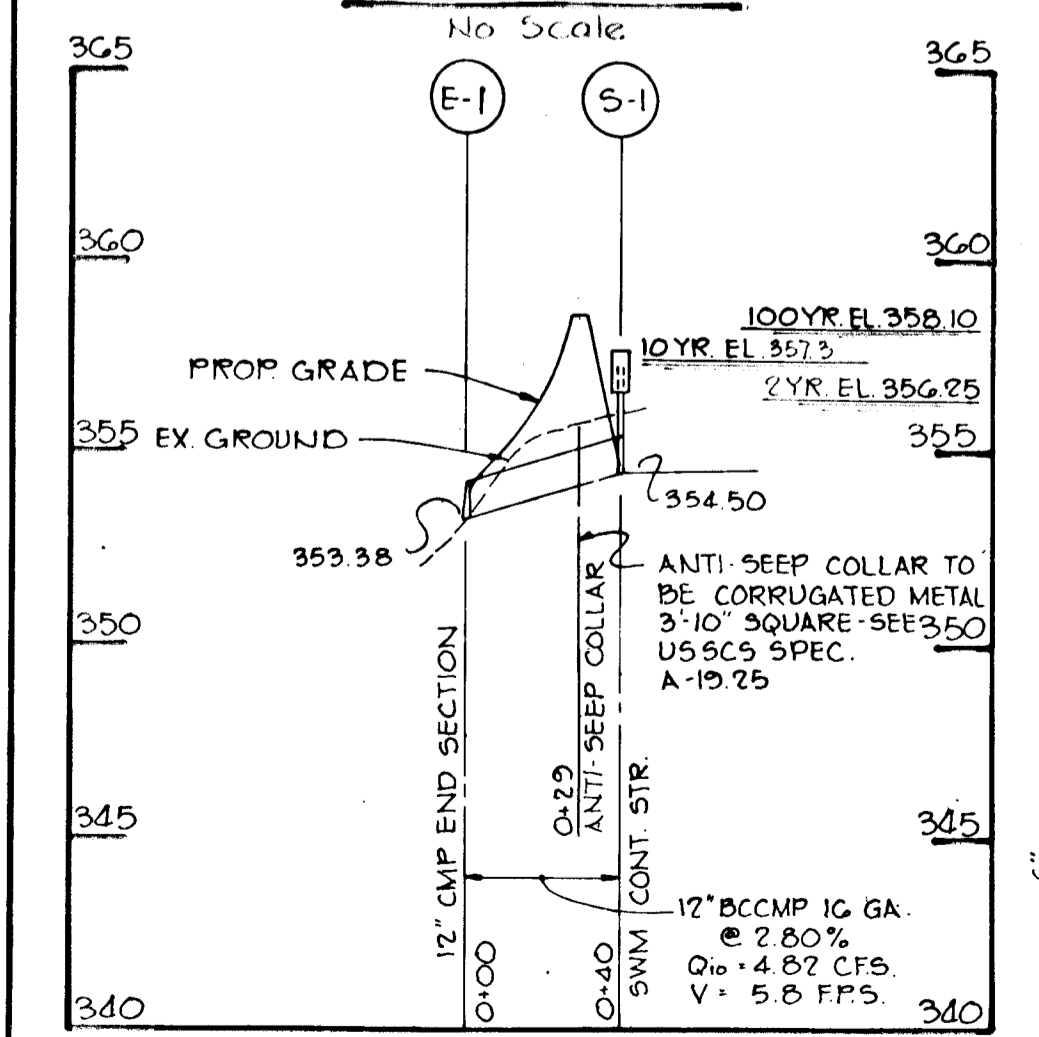
REVIEWED FOR HOWARD COUNTY S.C.D. AND MEETS TECHNICAL REQUIREMENTS
Alan C. Borg 7-8-82
DATE

LIBER 268, FOLIO 198
DESIGNED BY: J.K.T.
DRAWN BY: R.J.W.
PROJECT NO: A2681
DATE: 7-8-82
SCALE: 1"=50'
DRAWING NO. 1 OF 1

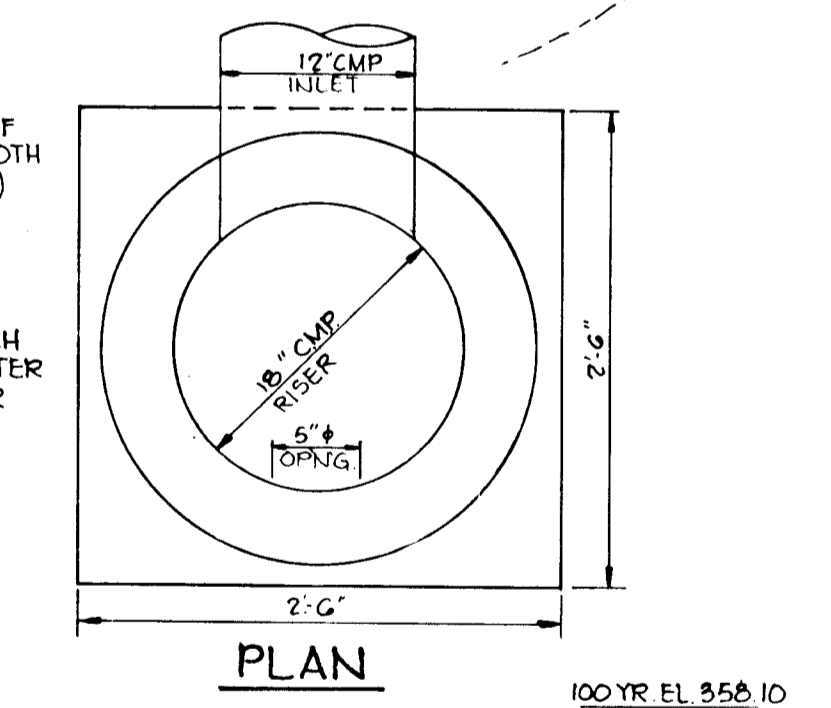
- FINAL STABILIZATION WILL TAKE PLACE AS SOON AS POSSIBLE AS WEATHER CONDITIONS PERMIT, AS FOLLOWS:
- A. APPLY DOLOMITIC LIMESTONE AT THE RATE OF 2 TONS PER ACRE (ONE TON PER ACRE IF APPLICATION OF TON PER ACRE WAS MADE FOR TEMPORARY SEEDING).
 - B. APPLY 0-20-20 FERTILIZER AT THE RATE OF 600 LBS. PER ACRE HARROW OR DISC LINE AND 0-20-20 FERTILIZER INTO THE SOIL TO A MINIMUM DEPTH OF 3" LAWNS OR HIGH MAINTENANCE AREAS WILL BE DRAGGED AND LEVELLED WITH A YORK RAKE. AT THE TIME OF SEEDING APPLY 400 POUNDS OF 38-0-0 UREAFORM FERTILIZER AND 500 LBS. OF 10-20-20 OR EQUIVALENT FERTILIZER PER ACRE.
 - C. SEED WITH A MIXTURE OF CERTIFIED "MERION" KENTUCKY BLUEGRASS - 40 LBS. PER ACRE; COMMON KENTUCKY BLUEGRASS @ 40 LBS. PER ACRE; RED FESCUE, PENNLANM OR JAMESTOWN @ 20 LBS. PER ACRE.
 - D. MULCH WITH UNWEATHERED SMALL GRAIN STRAW AT THE RATE OF 1 1/2 TO 2 TONS PER ACRE AND ANCHOR WITH A CUTBACK ASPHALT OR EMULSIFIED ASPHALT AT THE RATE OF 5 GAL. PER 1000 SQ. FT.
 - E. SEED ALL SLOPES WITH A MIXTURE OF CERTIFIED KENTUCKY 31 TALL FESCUE @ 50 LBS. PER ACRE AND INOCULATED KORAN LESPEDEZA @ 15 LBS. PER ACRE.
 - F. SODDED SWALES SHALL BE KENTUCKY 31 TALL FESCUE.



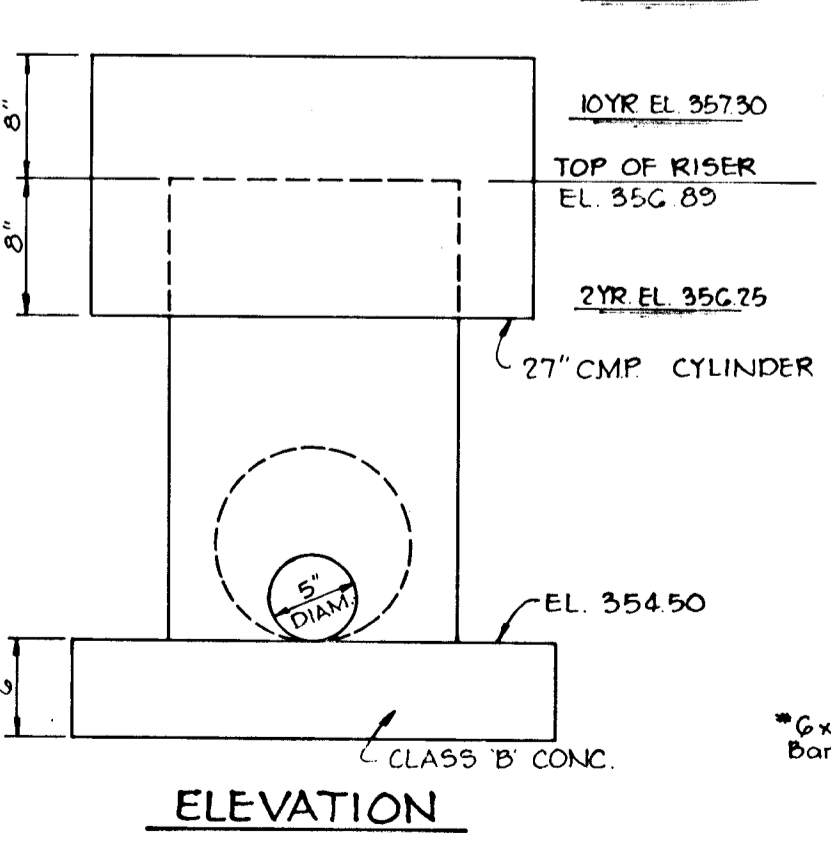
SILT FENCE
No Scale



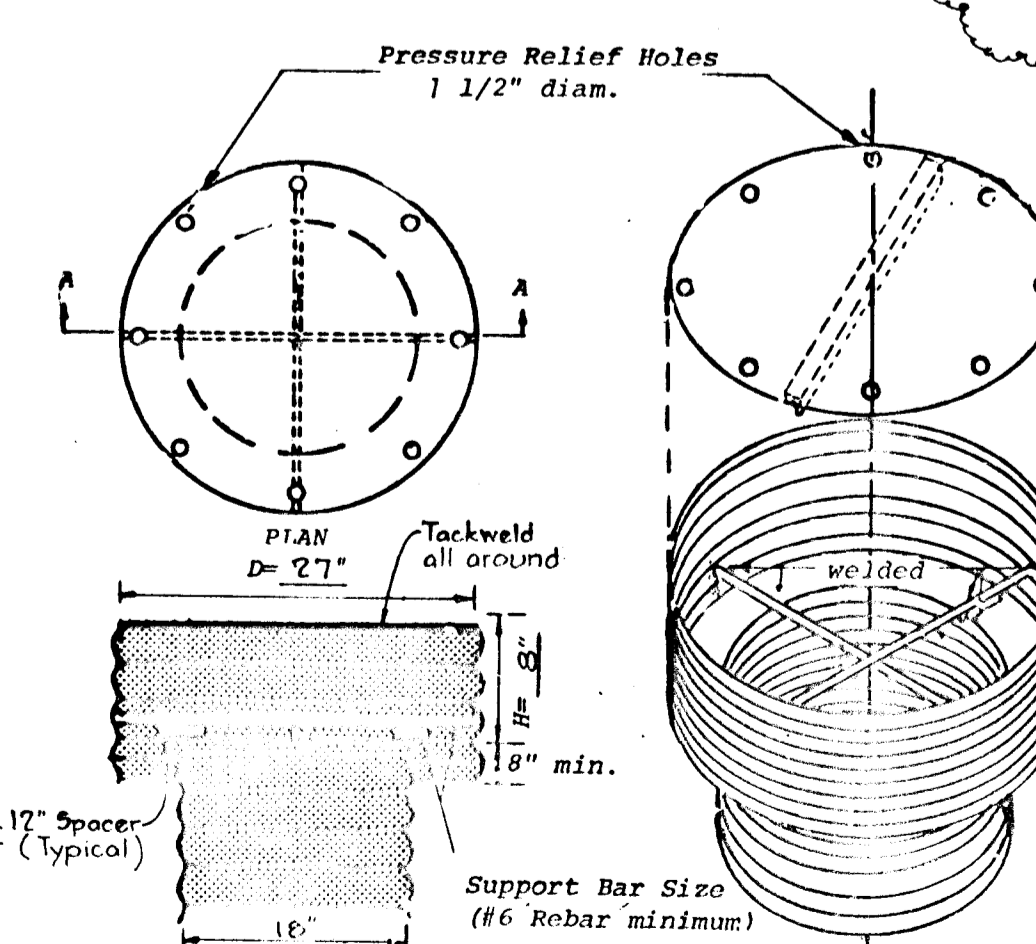
PROFILE
Scale: H:1"=50' V:1"=5'



PLAN



ELEVATION



TRASH RACK DETAILS
STORM WATER MANAGEMENT CONTROL STRUCTURE S-1
No Scale

- Notes:
- 1) The cylinder must be firmly fastened to the top of the riser.
 - 2) Support bars are welded to the top of the riser or attached by straps bolted to top of riser.

FOR THE DEVELOPER:
"I HEREBY CERTIFY THAT ALL DEVELOPMENT AND CONSTRUCTION WILL BE DONE ACCORDING TO THIS PLAN, AND THAT ANY RESPONSIBLE PERSONNEL INVOLVED IN THE CONSTRUCTION PROJECT WILL HAVE A CERTIFICATE OF ATTENDANCE AT A DEPARTMENT OF NATURAL RESOURCES APPROVED TRAINING PROGRAM FOR THE CONTROL OF SEDIMENT AND EROSION BEFORE BEGINNING THE PROJECT."
Alan C. Borg 7-8-82
ALAN C. BORG DATE

REVIEWED FOR HOWARD COUNTY S.C.D. AND MEETS TECHNICAL REQUIREMENTS
James M. Helen 7/29/82
S.O. SOIL CONSERVATION SERVICE DATE

THE ENGINEER:
James K. Tracy 7-8-82
DATE

"I CERTIFY THAT THIS PLAN FOR EROSION AND SEDIMENT CONTROL REPRESENTS A PRACTICAL AND WORKABLE PLAN BASED ON MY PERSONAL KNOWLEDGE OF THE SITE CONDITIONS AND THAT IT WAS PREPARED IN ACCORDANCE WITH THE REQUIREMENTS OF THE HOWARD SOIL CONSERVATION DISTRICT."
James K. Tracy 7-8-82
PROFESSIONAL ENGINEER NO. 69 DATE