

NOTE: ALL CONSTRUCTION TO BE IN ACCORDANCE WITH THE HOWARD COUNTY ROAD CONSTRUCTION CODE AND SPECIFICATIONS. FOR PAVING SECTION, CONCRETE WALK DETAIL, TYPICAL HALF SECTION AND CONCRETE CURB AND GUTTER DETAIL, SEE SHEET 2 OF 4.

VICINITY MAP
SCALE: 1" = 1200'

APPROVED: DEPARTMENT OF PUBLIC WORKS
William P. Ray
 CHIEF, BUREAU OF ENGINEERING
 DATE: 8-8-80

APPROVED: OFFICE OF PLANNING AND ZONING
Arthur W. ...
 CHIEF, DIVISION OF LAND DEVELOPMENT
 DATE: 8-4-80

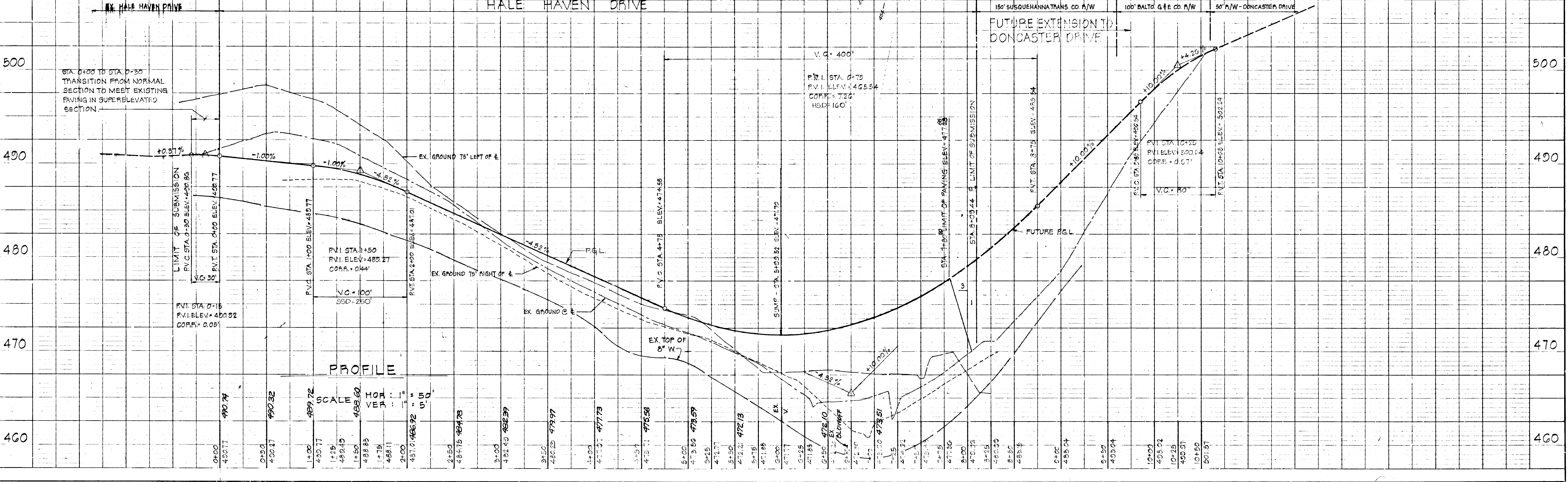
STATE OF MARYLAND
 REGISTERED PROFESSIONAL ENGINEER
 No. 1080
 4-3-80

ROAD CONSTRUCTION PLAN : HALE HAVEN DRIVE

ORCHARD RIDGE A RESUBDIVISION OF LOT 2, IGLER PROPERTY

DATE: MARCH, 1980	DESIGN BY: J.J.B./W.H.N.	DRAWN BY: J.J.B./G.E.M.	CHECKED BY: B.L.M.
SCALE: AS SHOWN	JOB NO.: 78152	DRAWING NO.: 1 OF 4	

boender associates
 engineers/surveyors/planners
 BALTIMORE 301-465-7777 • SALISBURY 301-749-1286



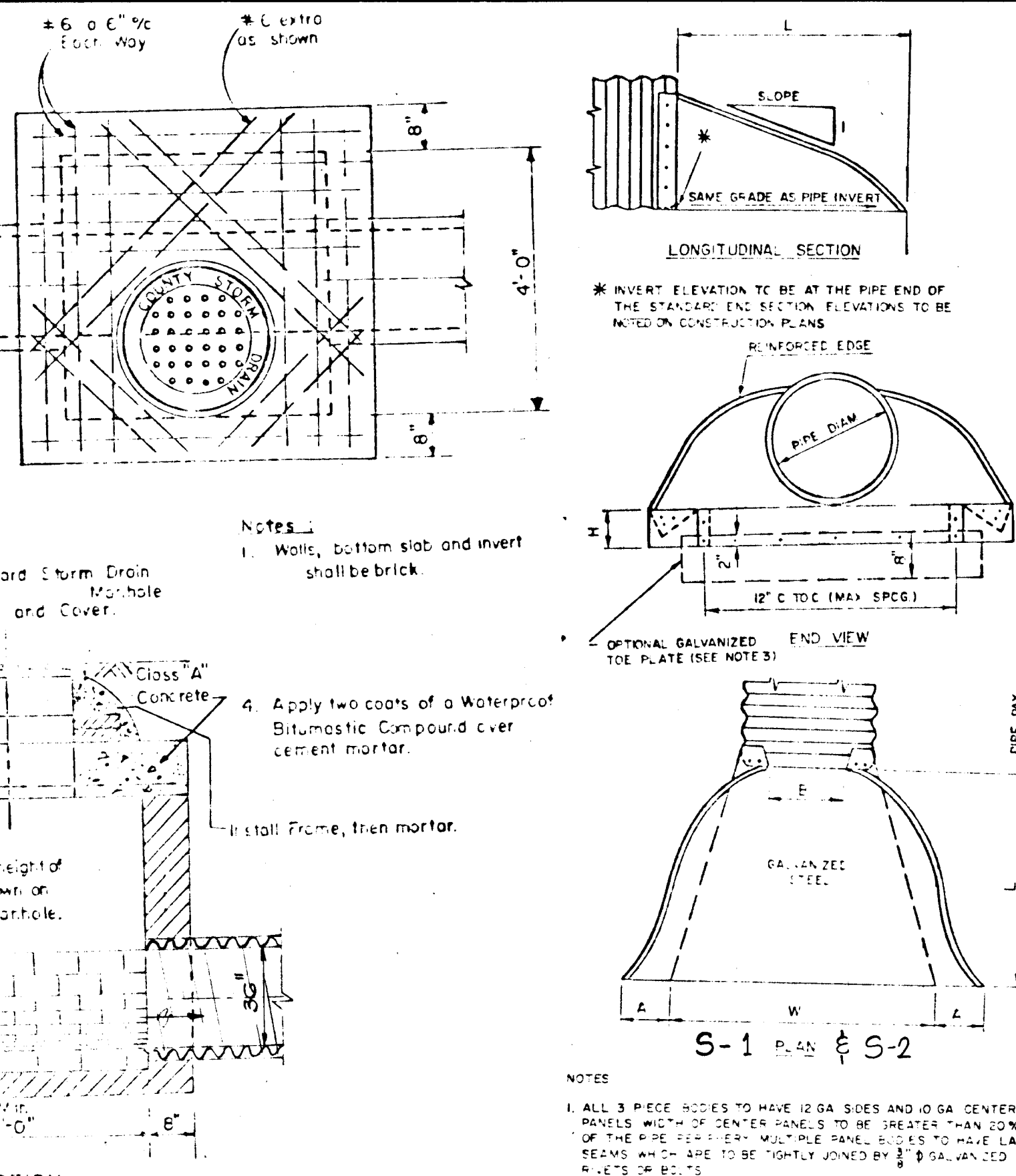
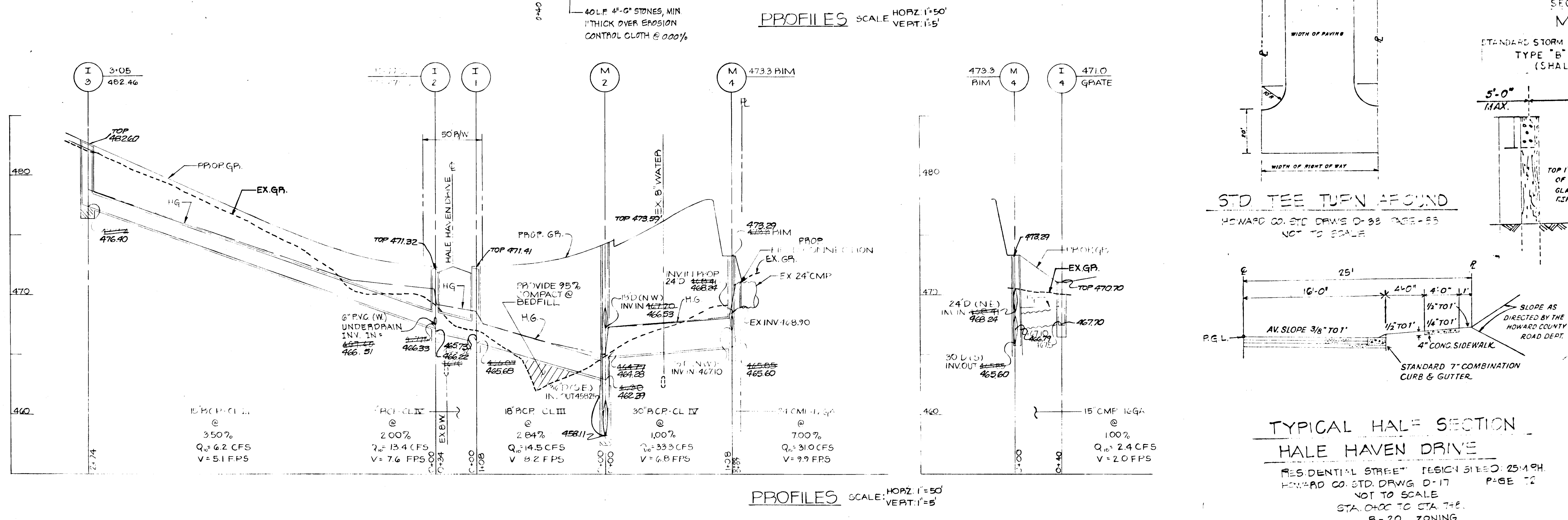
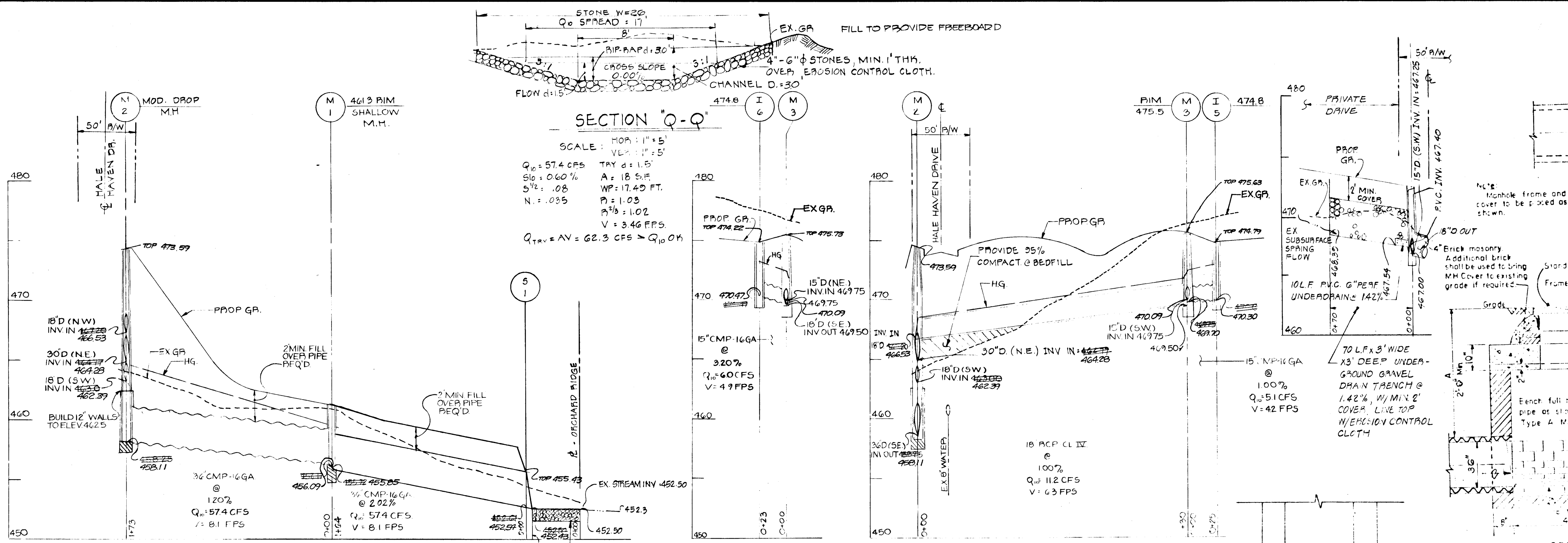
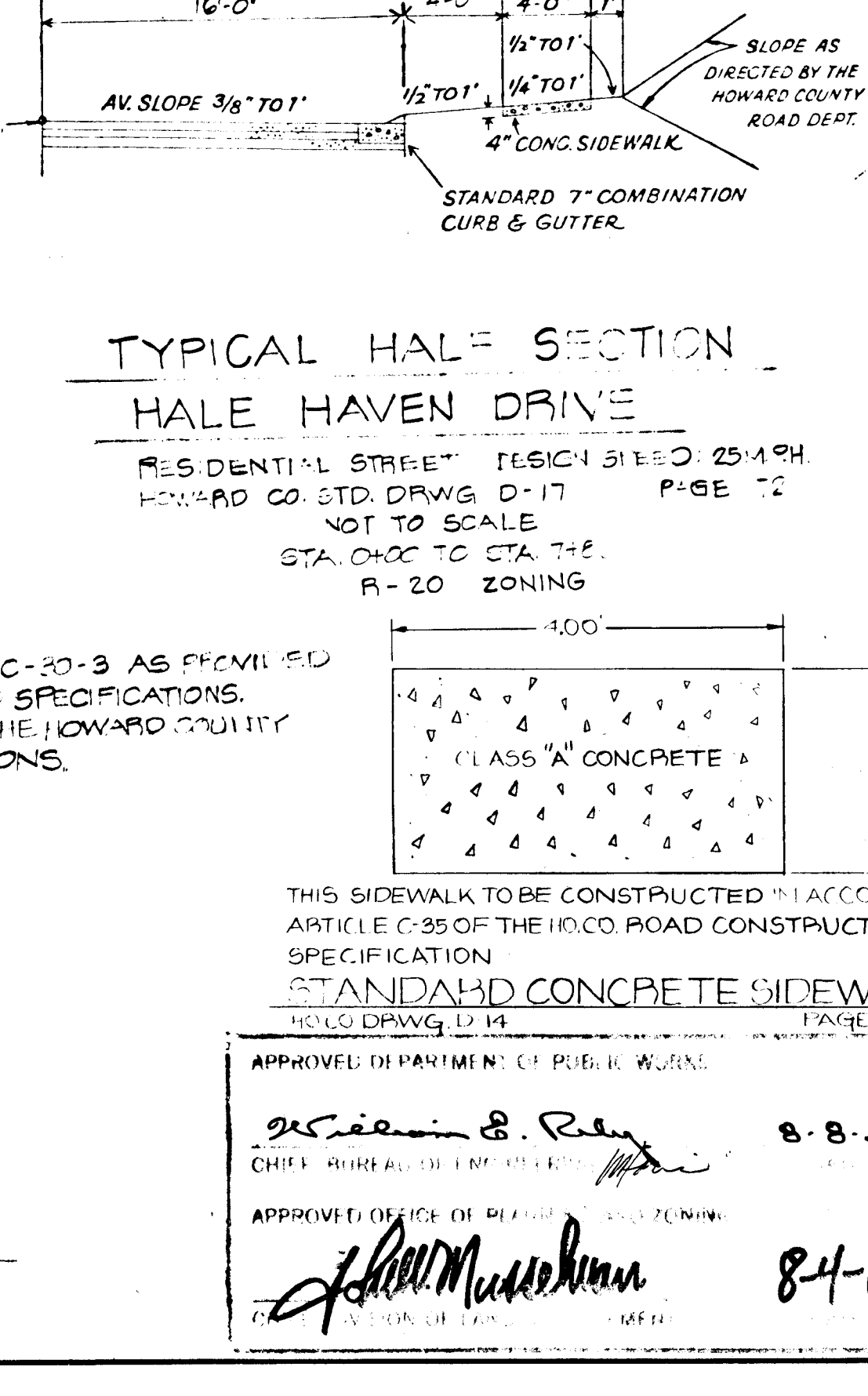
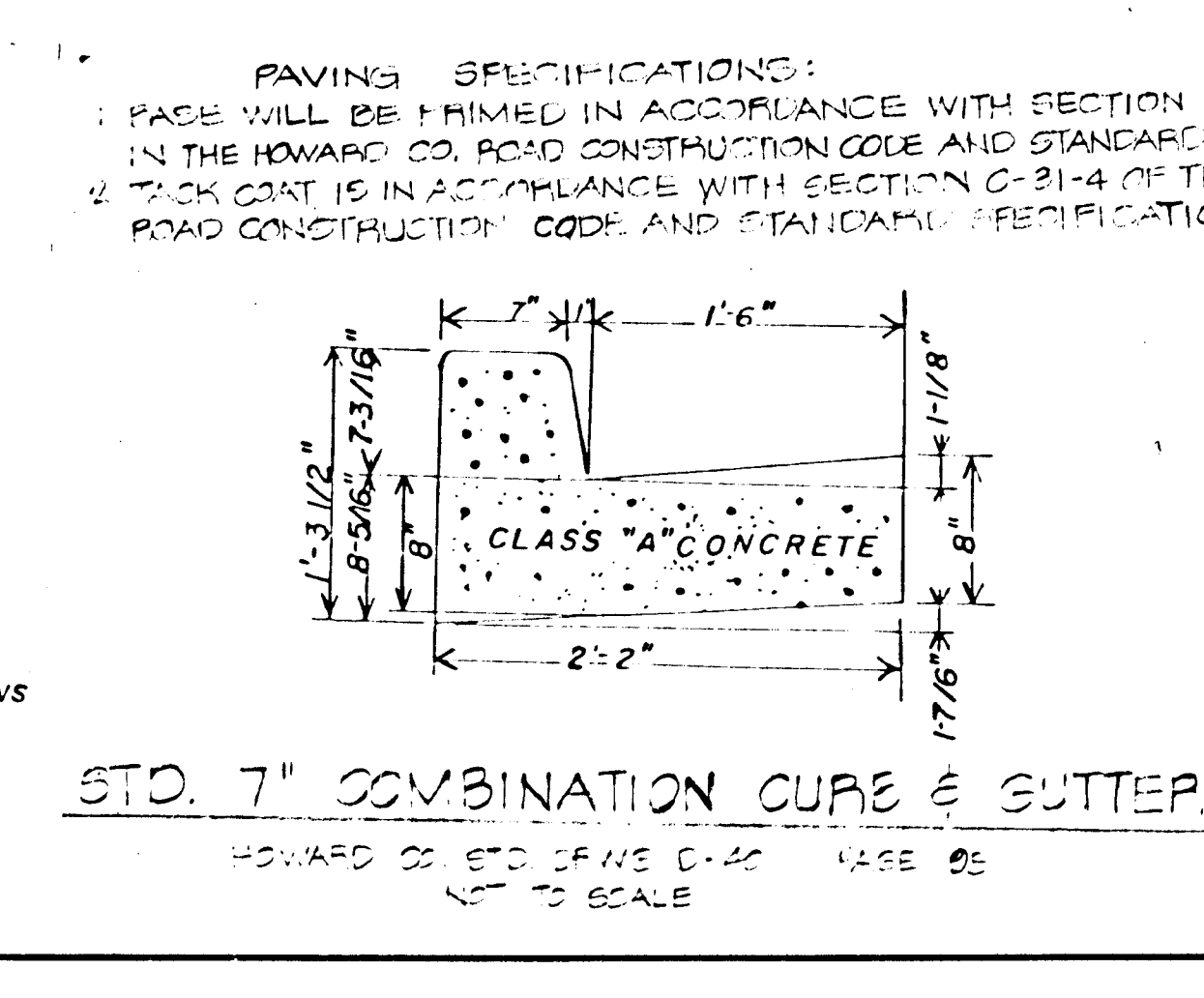
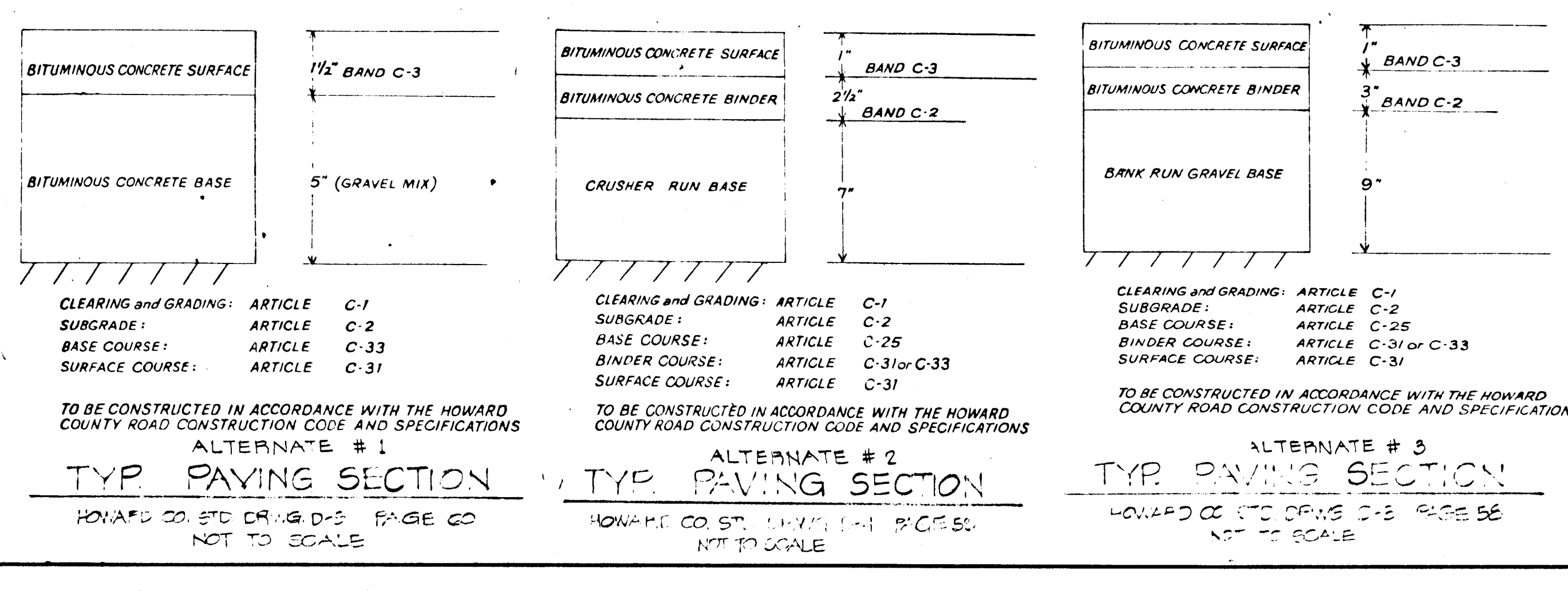


TABLE OF DIMENSIONS

PIPE DIA	GA	A	B	H	L	W	APPROX SLOPE	BODY
36"	14	14	19	7	60	72	2/2"	21L
21"	11	11	15	7	48	54	2/16"	1FC

STATE OF MARYLAND
 DEPARTMENT OF TRANSPORTATION
 STATE HIGHWAY ADMINISTRATION
 STANDARDS FOR HIGHWAYS AND INCIDENTAL STRUCTURES
 STANDARD METAL END SECTION
 ROUND METAL PIPE
 STANDARD NO. MD - 370.01



Temporary Dead End Barricade. HO CO. DRAWING D-109 Page 161

STRUCTURE SCHEDULE

NO.	TYPE	INV. IN	INV. OUT	DEPTH	REMARKS
I-1	A 5" INLET (W/O DEFLECT)	465.73	465.58	15"	SEE HO. CO. ST'D. DRWG. D-64A, PG. 119-A
I-2	7" C INLET (W/O DEFLECT)	466.46	466.31	15"	SEE HO. CO. ST'D. DRWG. D-64A, PG. 119-A
I-3	A 10" INLET (W/O DEFLECT)	466.22	466.07	15"	SEE HO. CO. ST'D. DRWG. D-64A, PG. 119-A
I-4	C INLET	466.70	466.55	15"	SEE HO. CO. ST'D. DRWG. D-44 C, PG. 119-C
I-5	K INLET (YARD)	467.30	467.15	15"	SEE HO. CO. ST'D. DRWG. D-93, PG. 148
I-6	K INLET (YARD)	467.30	467.15	15"	SEE HO. CO. ST'D. DRWG. D-93, PG. 148
M-1	SHALLOW STORM DRAIN M.H.	465.73	465.58	15"	FOR DETAIL, SEE THIS SHEET
M-2	STANDARD STORM DRAIN M.H.	466.70	466.55	15"	SEE HOWARD CO. ST'D. DRWG. D-104, PG. 159
M-3	STANDARD STORM DRAIN M.H.	466.70	466.55	15"	SEE HOWARD CO. ST'D. DRWG. D-103, PG. 158
M-4	STANDARD STORM DRAIN M.H.	466.70	466.55	15"	SEE HOWARD CO. ST'D. DRWG. D-103, PG. 158
S-1	STD. METAL END SECTION	466.70	466.55	15"	FOR DETAIL, SEE THIS SHEET

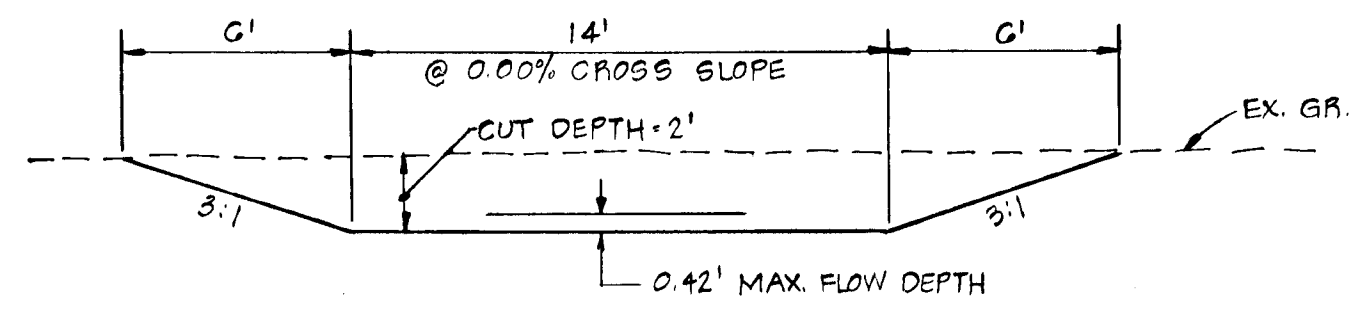
OWNER & DEVELOPER
 B & I ASSOCIATES, INC.
 SUITE 102
 TOWN & COUNTRY PROFESSIONAL BLDG.
 ELLICOTT CITY, MD. 21043

STORM DRAIN PROFILES, ROAD & DRAINAGE DETAILS
ORCHARD RIDGE A RESUBDIVISION OF LOT 2, 1GLER PROPERTY
 2ND ELECTION DISTRICT HOWARD COUNTY, MD.

DATE: MARCH, 1980 DESIGN BY: W.H.N. DRAWN BY: G.E.M. CHECKED BY: P.L.M.
 SCALE: AS SHOWN JOB NO.: 78152 DRAWING NO.: 2 OF 4

boender associates
 SUITE 102, TOWN & COUNTRY PROFESSIONAL BUILDING
 ELLICOTT CITY, MARYLAND 21043
 BALTIMORE 301-468-7777 SALISBURY 301-748-1288

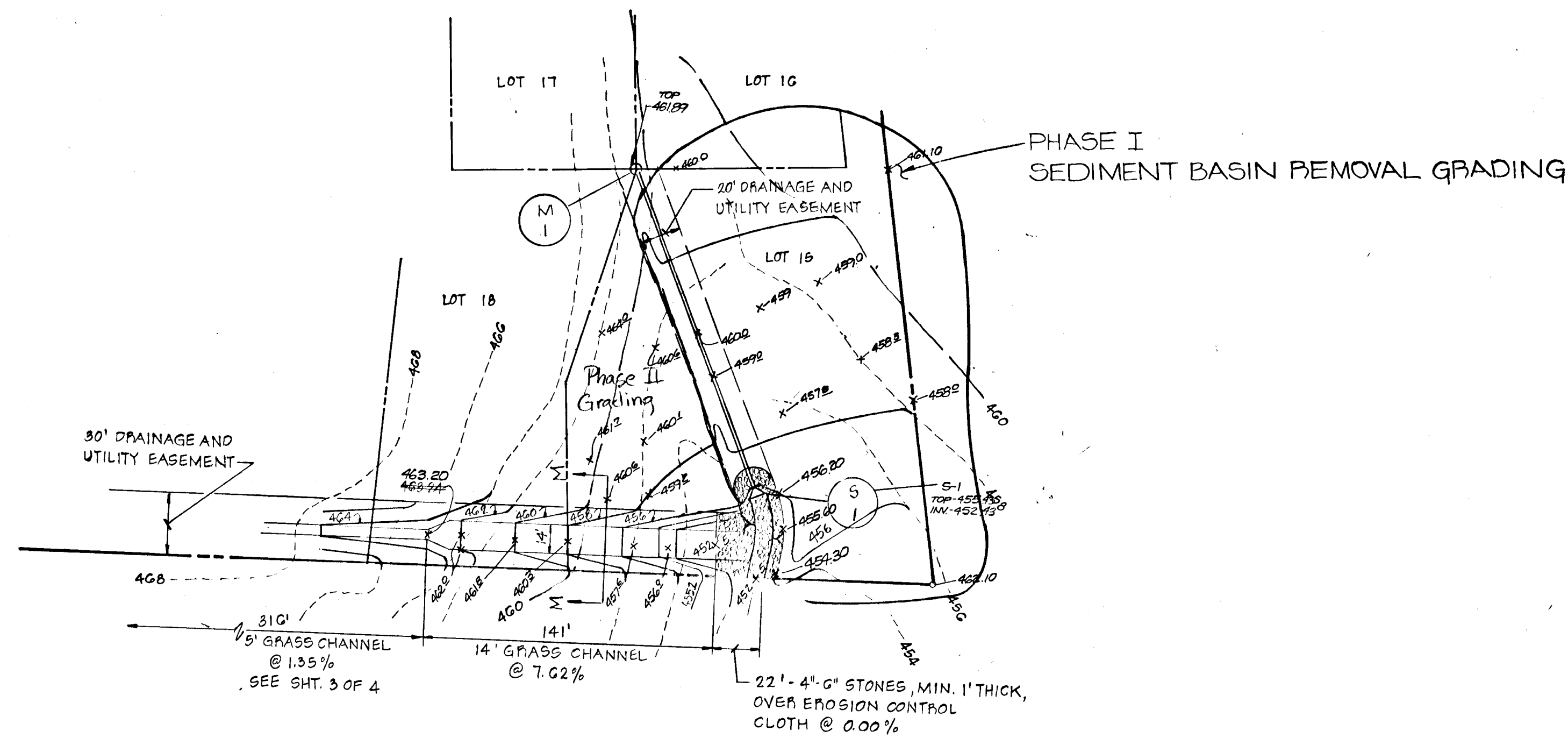
engineers
 surveyors
 planners



DETAIL - TYPICAL CHANNEL

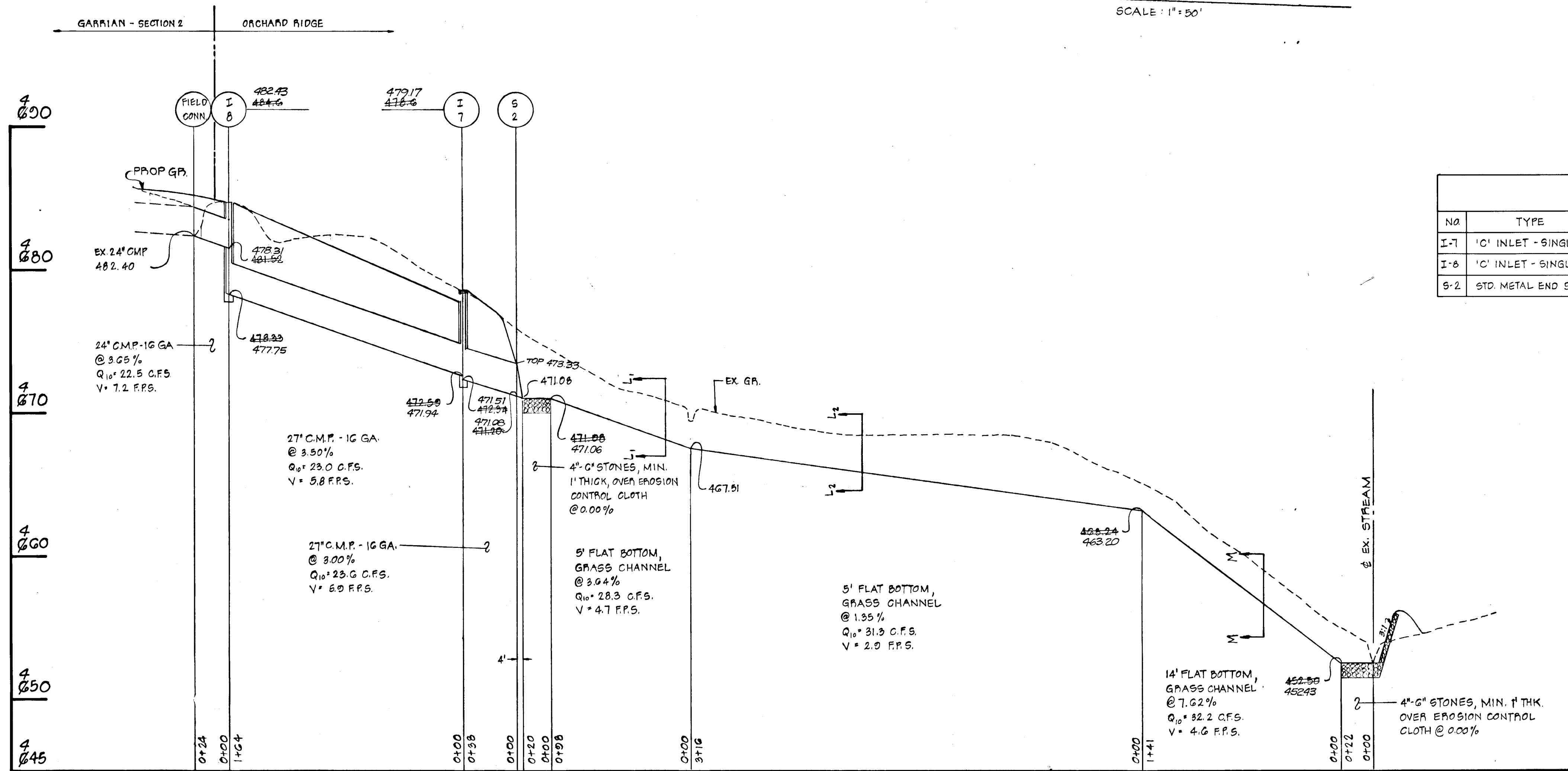
SECTION NO. 4

SCALE: HORZ. 1" = 5'
VERT. 1" = 5'



PLAN
GRADING AFTER REMOVAL
OF TEMPORARY SEDIMENT BASIN

SCALE: 1" = 50'



PROFILE: SCALE: HORZ. 1" = 50'
VERT. 1" = 5'

STRUCTURE SCHEDULE					
NO.	TYPE	INV. IN	INV. OUT	TOP EL.	REMARKS
I-7	10' INLET - SINGLE OPNG.	471.83	472.54	472.07	SEE HO. CO. STD. DRAWG. G4-C, PG. 110-C
I-6	10' INLET - SINGLE OPNG.	472.54	472.35	472.35	SEE HO. CO. STD. DRAWG. G4-C, PG. 110-C
S-2	STD. METAL END SECTION	471.20	471.08	473.33	SEE DETAIL, SHT. 2 OF 4

APPROVED: DEPARTMENT OF PUBLIC WORKS.
William S. Bay 8-8-80
 CHIEF, BUREAU OF ENGINEERING DATE
 APPROVED: OFFICE OF PLANNING AND ZONING.
Richard M. ... 8-4-80
 CHIEF, DIVISION OF LAND DEVELOPMENT DATE

Rodolph May Jr.
6-2-80

OWNER & DEVELOPER
 B & I ASSOCIATES, INC.
 SUITE 102
 TOWN & COUNTRY PROFESSIONAL BLDG.
 ELLICOTT CITY, MD. 21045

TITLE STORM DRAIN PROFILE AND GRADING PLAN			
PROJECT ORCHARD RIDGE A RESUBDIVISION OF LOT 2, IGLEA PROPERTY			
LOCATION 2ND ELECTION DISTRICT		HOWARD COUNTY, MD.	
DATE: MAY, 1980	DESIGN BY: J.J.B.	DRAWN BY: J.J.B.	CHECKED BY: R.L.M.
SCALE: AS SHOWN	JOB NO.: 78152	DRAWING NO.: 4 OF 4	
boender associates SUITE 102-107 TOWN & COUNTRY PROFESSIONAL BUILDING ELLICOTT CITY, MARYLAND 21043 BALTIMORE 301-468-7777		engineers surveyors planners SALISBURY 301-749-1288	

AS-BUILT

F-70-137