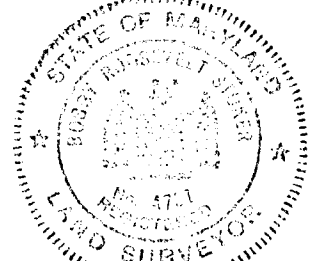


FREY, SHEEHAN, STOKER, & ASSOC.
 LAND PLANNING CONSULTANTS
 SILVER SPRING, MD.
 588-8464

June 28, 1970
 April 28, 1970
 March 23, 1970
 Jan. 3, 1970



Robert Sheehan
 Md. Reg. No. 8731

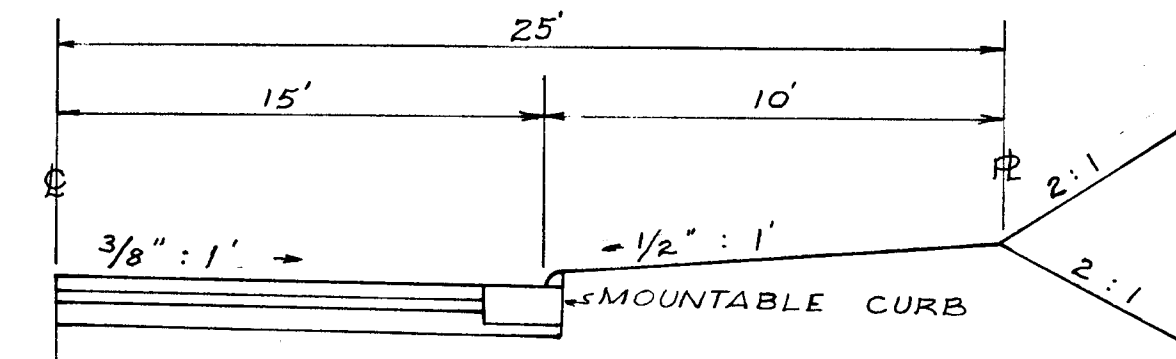
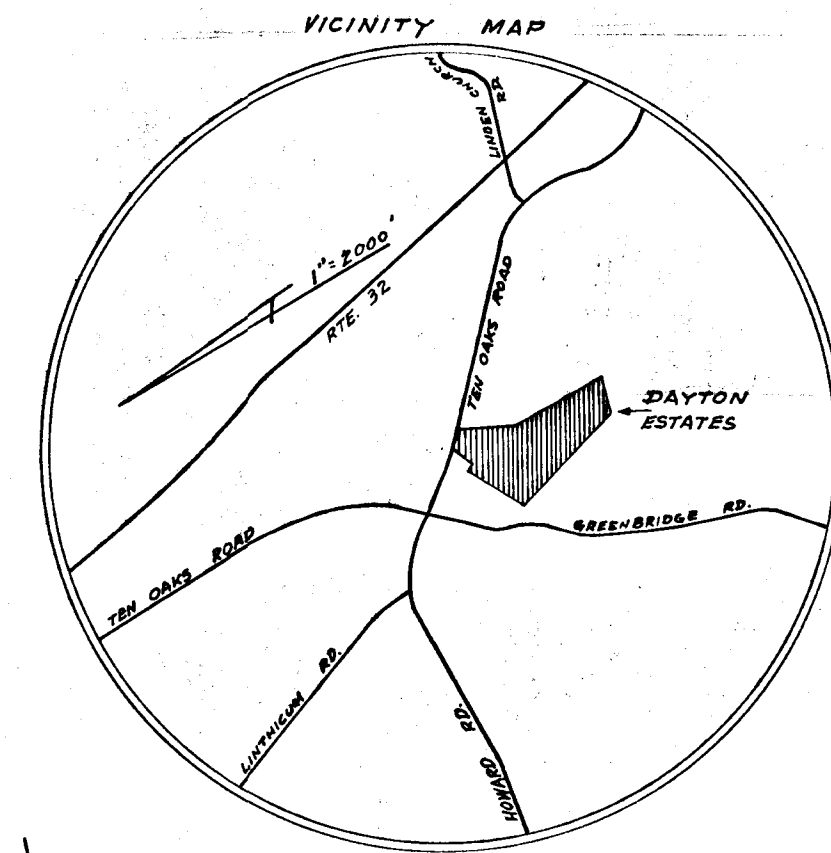
OWNER & DEVELOPER
 Wm. C. SWATEK
 203 HILLTOP ROAD
 SILVER SPRING, MD.

DEPARTMENT OF PUBLIC WORKS
B. M. Heiland 8/25/70
 CHIEF, BUREAU OF HIGHWAYS DATE

OFFICE OF PLANNING AND ZONING
J. H. Clawson 8-24-70
 CHIEF ENGINEER, DIVISION OF LAND DEVELOPMENT. DATE

PLAN & PROFILE
 DAYTON DRIVE
 SECTION 1
 DAYTON ESTATES

ELECTION DIST. NO. 5
 HOWARD COUNTY, MD.



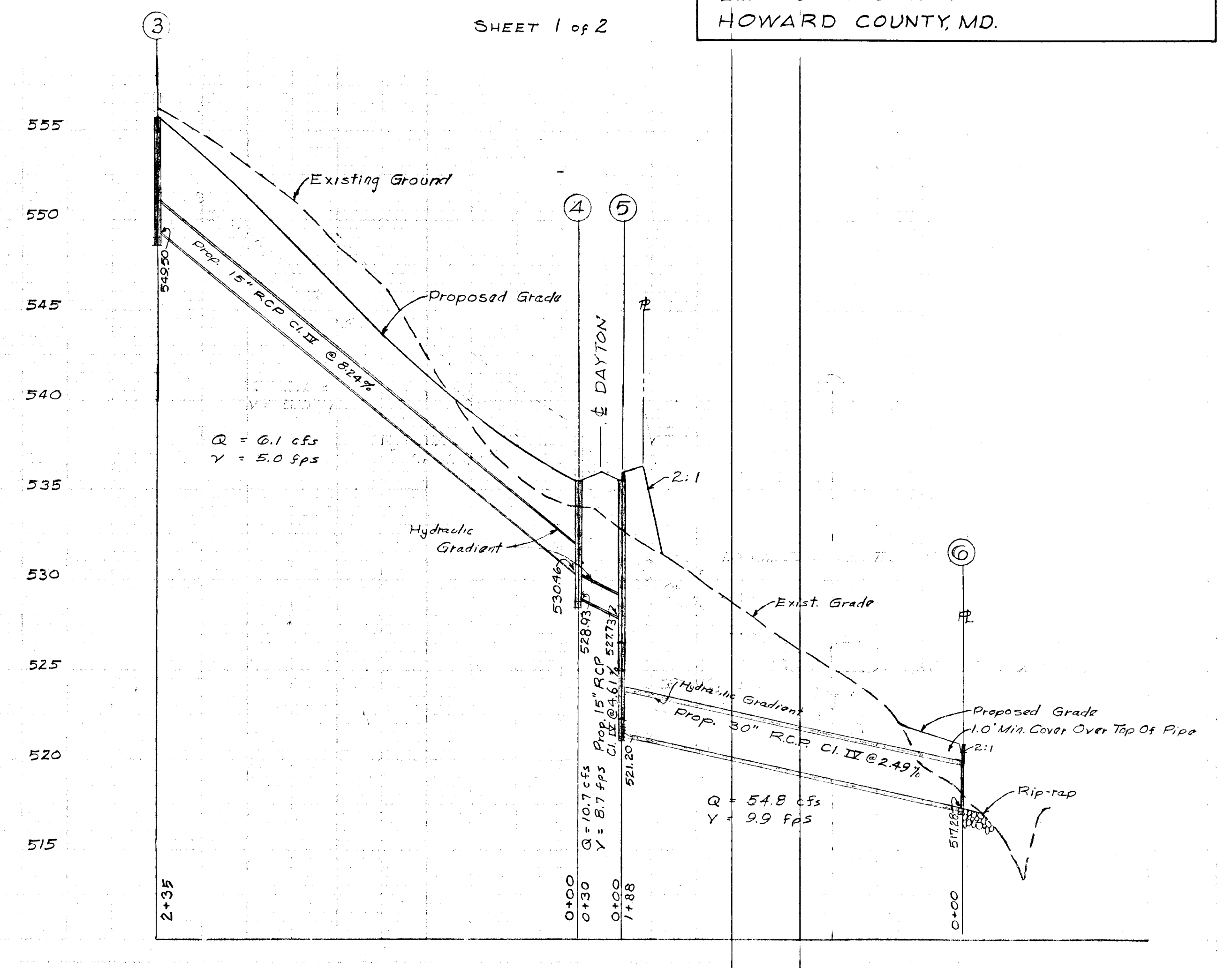
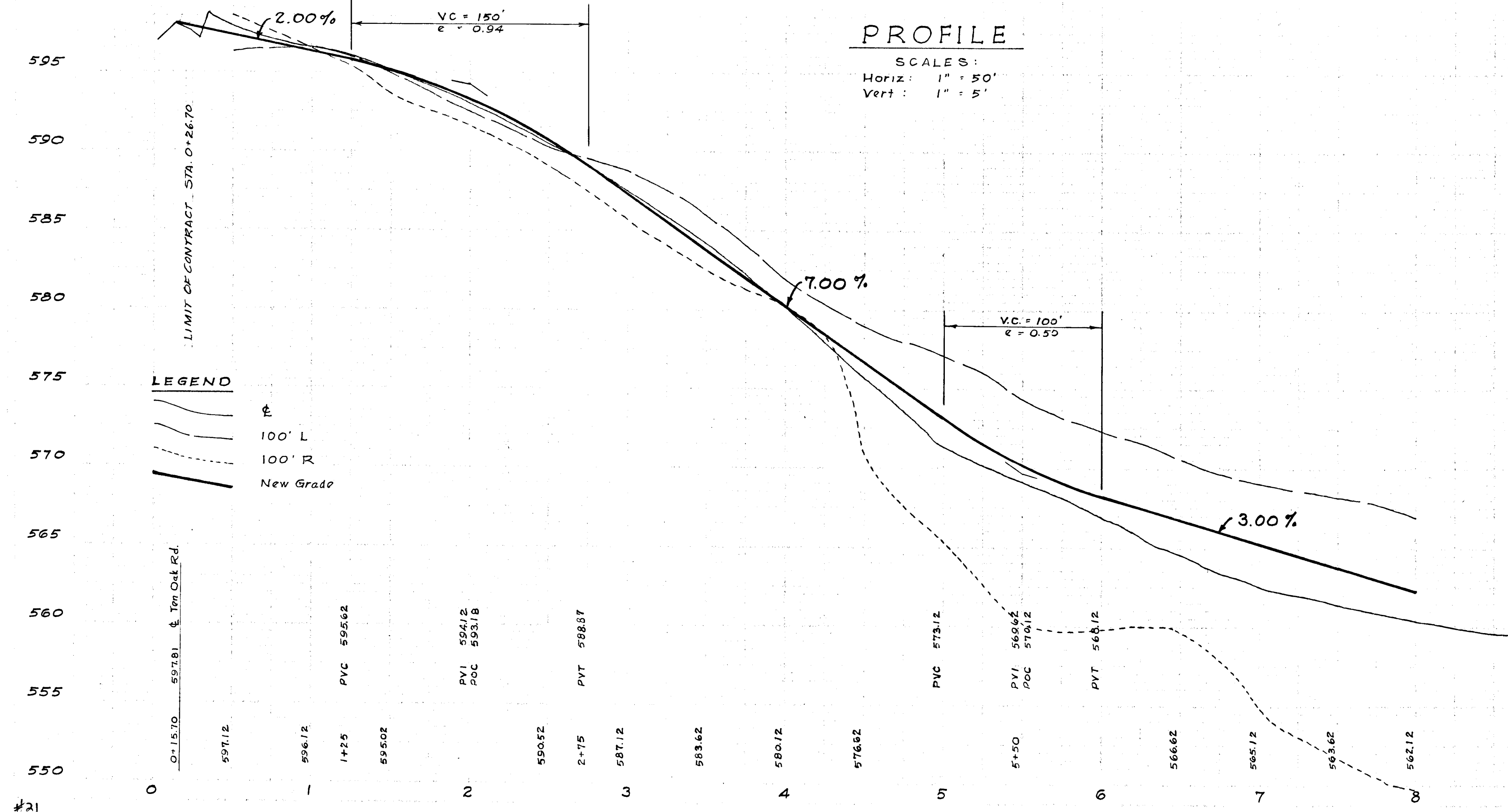
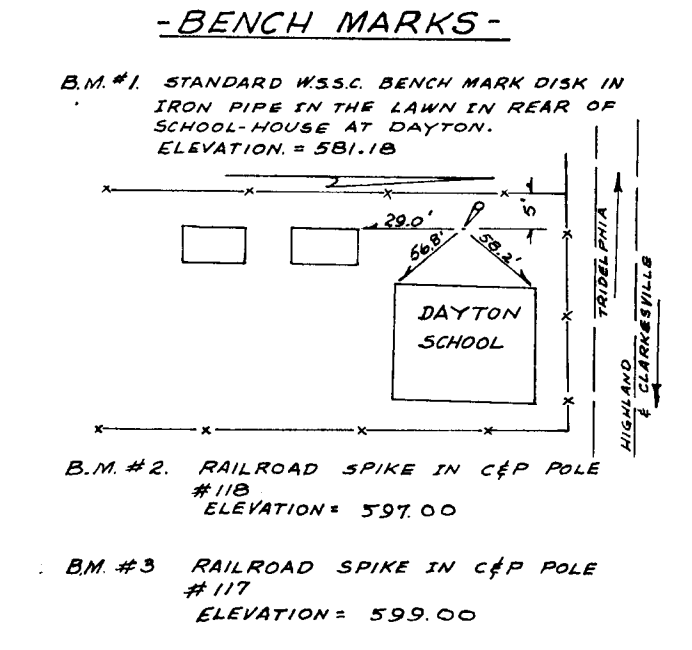
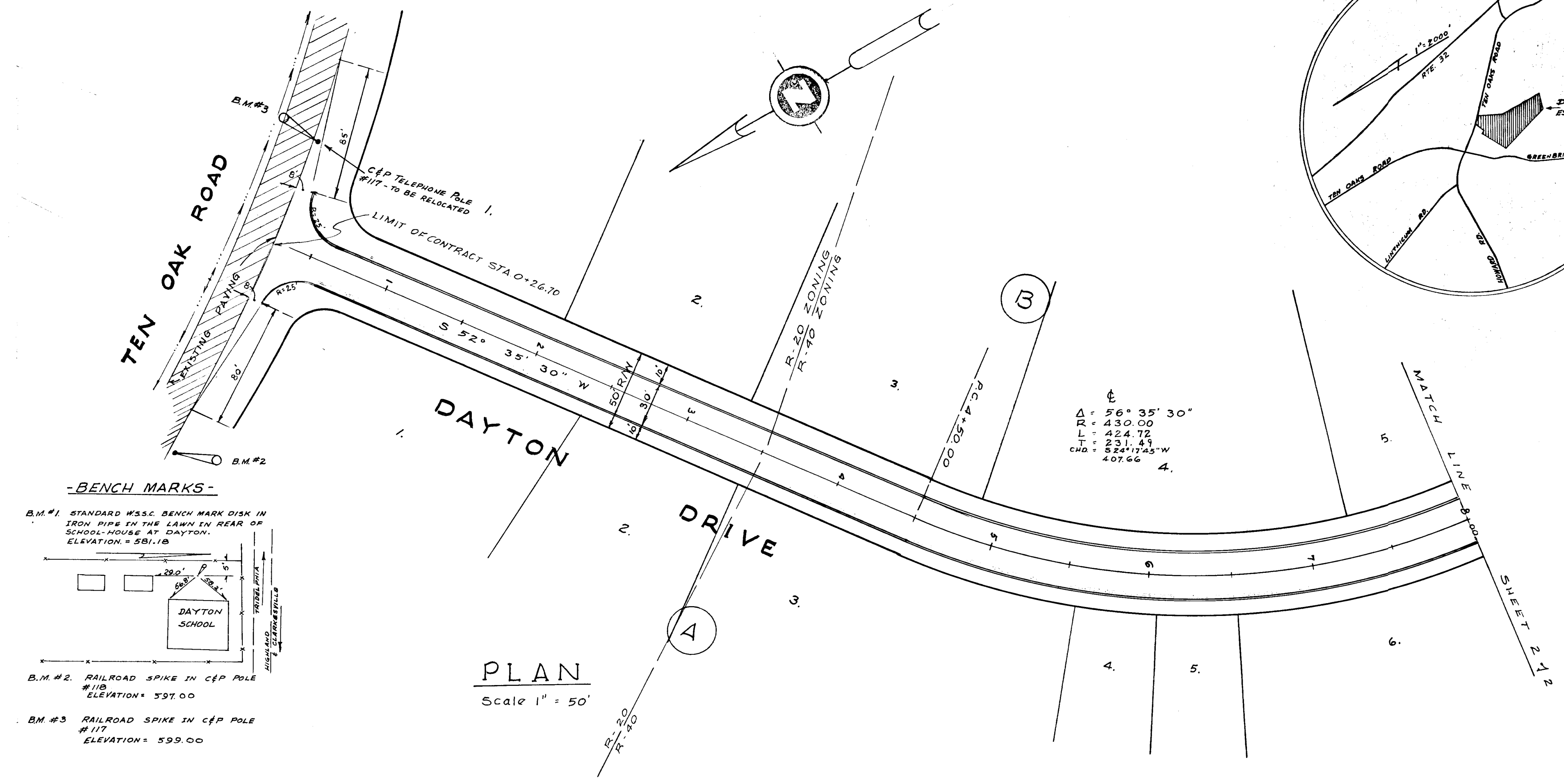
For Paving Section See Howard County Road Construction Code And Standard Specifications. Drawing D-16, Page 71.
 Paving Section To Conform To Howard Co. Standard Specifications Drawing D-5, Page 60.

TYPICAL SECTION
 50' R/W 30' Paving
 TYPE OF STREET
 RESIDENTIAL (NON COLLECTOR)

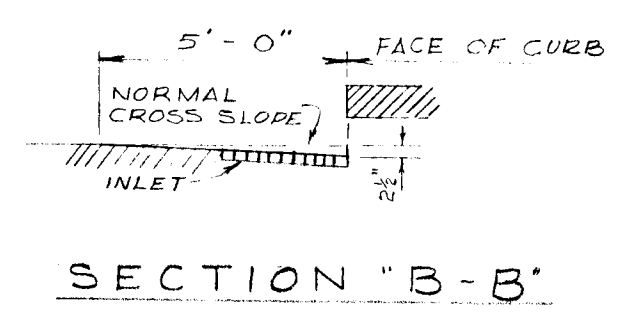
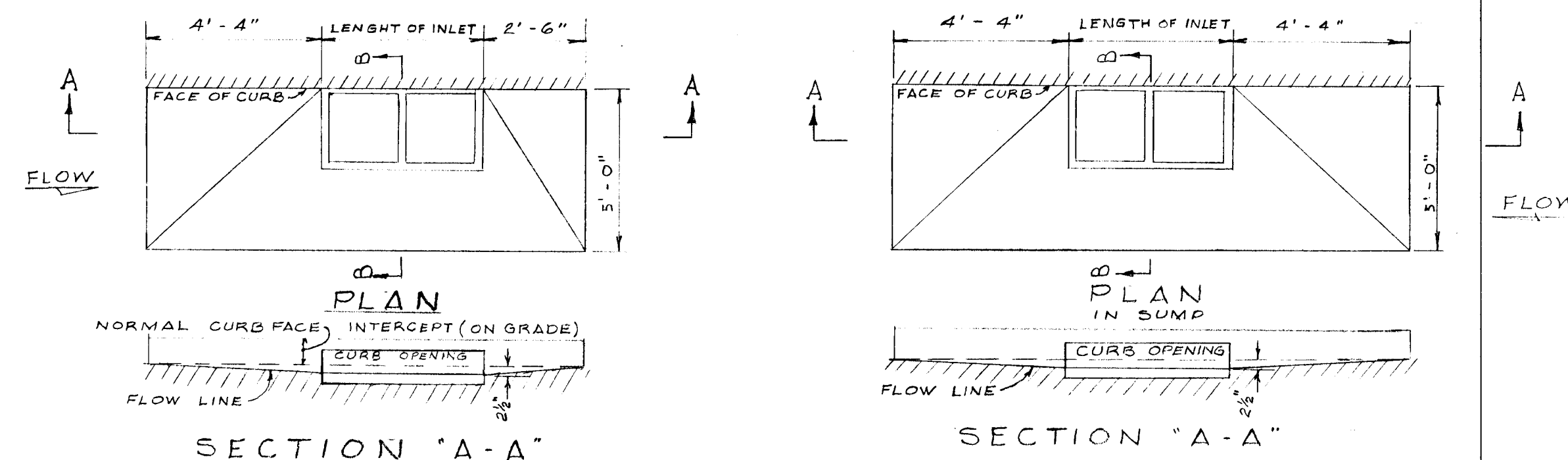
STORM DRAIN STRUCTURE SCHEDULE

NO.	TYPE	INV. IN	INV. OUT	TOP*
1	E Comb.	527.56	520.50	532.04
2	E Comb.	525.90	525.07	532.04
3	E Comb.	—	549.50	556.11
4	E Comb.	530.46	528.93	536.17
5	E Comb.	527.31	521.20	536.17
6	C Endwall	—	517.20	520.78
7	K Inlet	—	528.00	533.25
4	M.H.	523.67	523.43	533.12

*Top El. of E Comb Inlet is Given to Top of Curb



DAYTON DR. 66-1210
 F70-44



INLET DEPRESSION DETAIL
 NOT TO SCALE

- GENERAL NOTES:
- For details of type E combination inlet, see Drwg. D-68, page 123 of Howard County Road Construction Code
 - For details of Standard End Support Wall, see Drwg. D-46, page 101 of the above mentioned specifications
 - For detail of Standard Type K Inlet, see Drwg. D-93, page 148 of the above mentioned specifications
 - For details of Standard Type C Endwall, see Drwg. D-52, page 107 of the above mentioned specifications
 - For detail of Standard Manhole, see Drwg. D-103, page 158 of the above mentioned specifications

Jan. 5, 1970
 STATE OF MARYLAND
 PUBLIC SERVICE
 JOHN RUSSELL STOKER
 JUNIOR
 PROFESSIONAL SURVEYOR
 No. 231970
 June 23, 1970
 No. 281970
 March 23, 1970
 No. 2731

SHEET 2 of 2

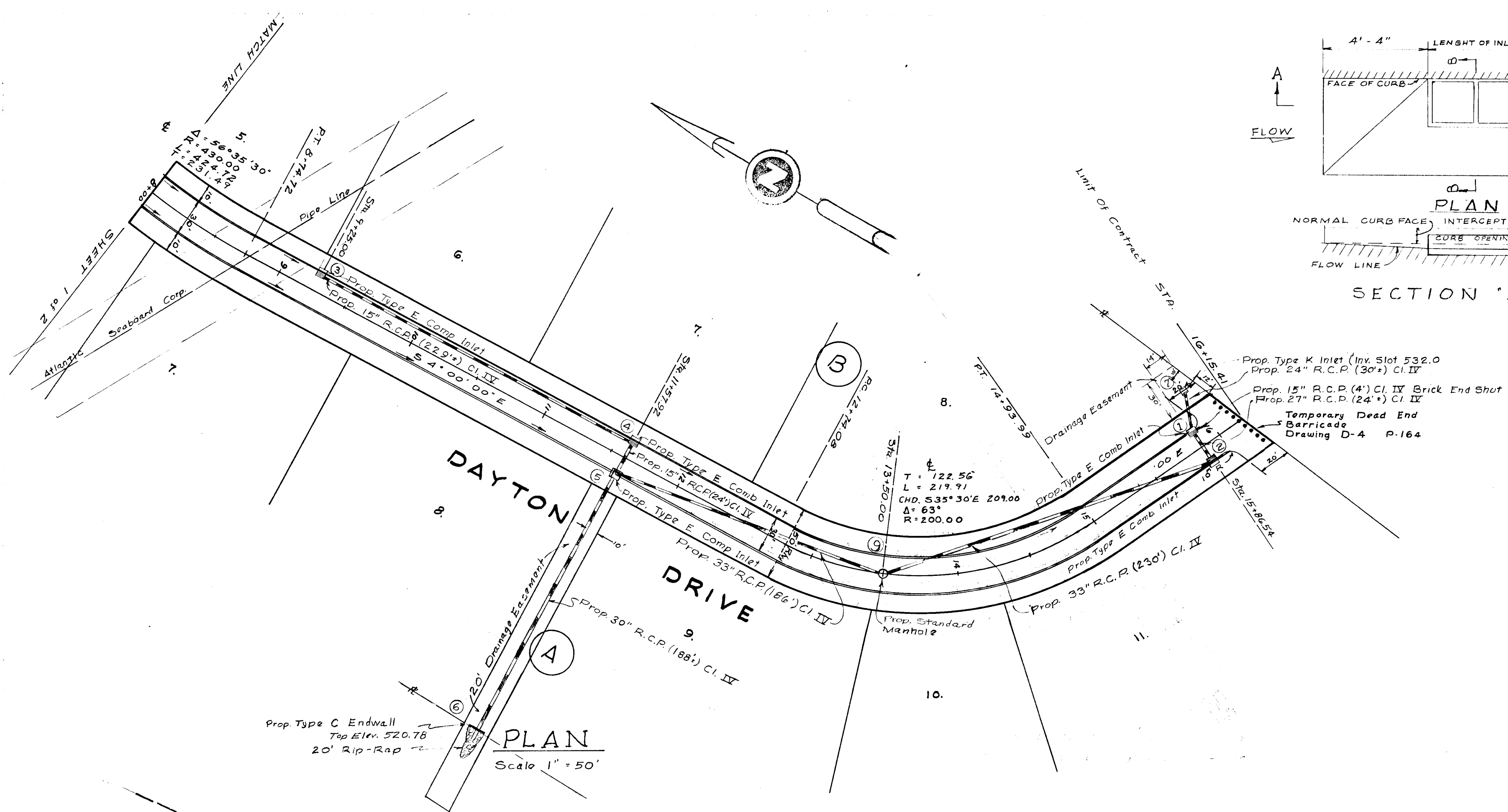
OWNER & DEVELOPER
 Wm. C. SWATEK
 203 HILLTOP ROAD
 SILVER SPRING, MD.

DEPARTMENT OF PUBLIC WORKS
 B. N. McElwain
 CHIEF, BUREAU OF HIGHWAYS
 8/25/70
 DATE

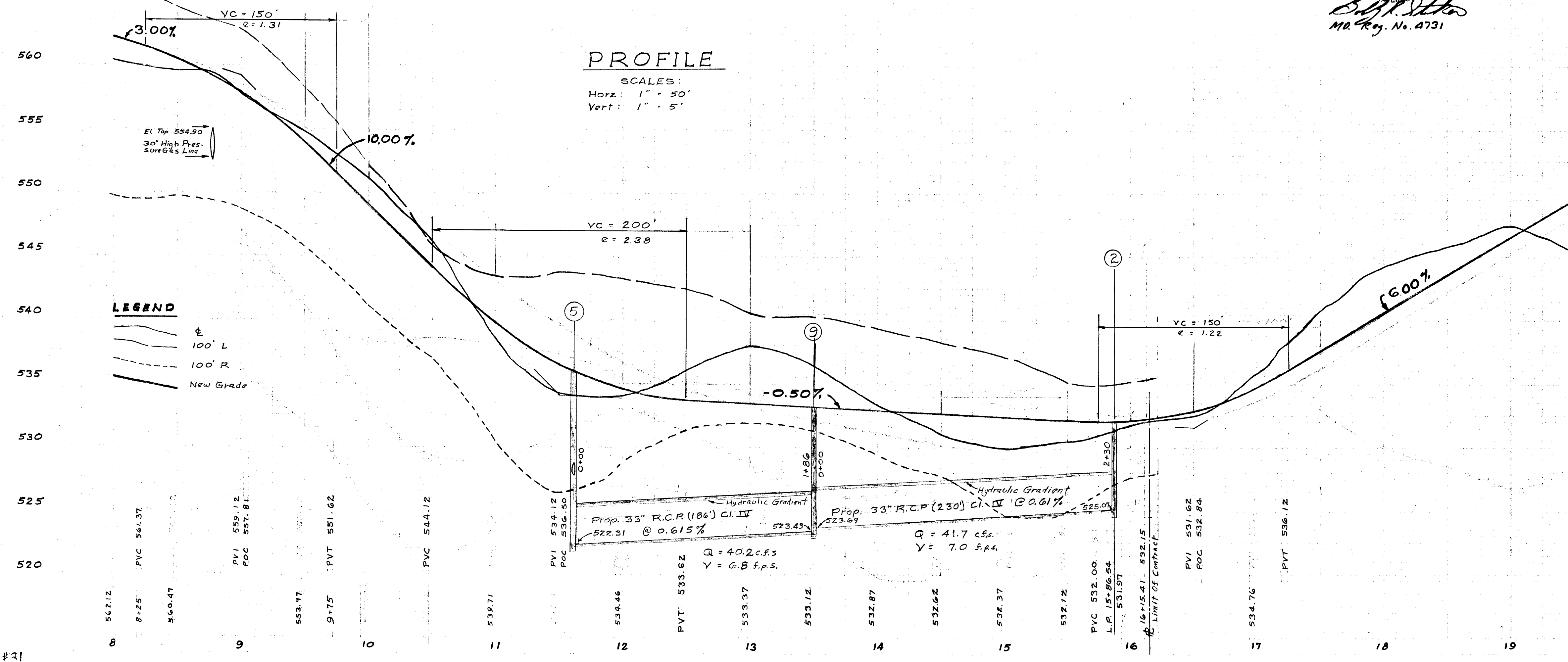
OFFICE OF PLANNING AND ZONING
 J. P. Clawson
 CHIEF ENGINEER, DIVISION OF LAND DEVELOPMENT
 8-24-70
 DATE

PLAN & PROFILE
DAYTON DRIVE
 SECTION 1
DAYTON ESTATES

ELECTION DIST. NO. 5
 HOWARD COUNTY, MD.



PROFILE
 SCALES:
 Horiz: 1" = 50'
 Vert: 1" = 5'



LEGEND

- E
- - - 100' L
- - - 100' R
- New Grade

