

OWNER & DEVELOPER
 THE CHATHAM CORP OF HOWARD COUNTY
 687 BALTIMORE NATIONAL PIKE
 ELLICOTT CITY, MARYLAND

ENGINEER
 PURDUM AND JESCHKE
 3697 PARK AVENUE
 ELLICOTT CITY, MARYLAND

DEPARTMENT OF PUBLIC WORKS
Grainger W. Nebel 3/31/70
 CHIEF, BUREAU OF HIGHWAYS DATE

J.H. Clawson 3-31-70
 CHIEF ENGINEER, DIVISION OF LAND DEVELOPMENT - DATE

PLAN & PROFILE: RAMBLEWOOD ROAD
 SECTION NO 13

CHATHAM

2ND ELECT. DIST. : HOWARD COUNTY, MD.

JAN. 14, 1970
 REV. FEB. 12, 1970

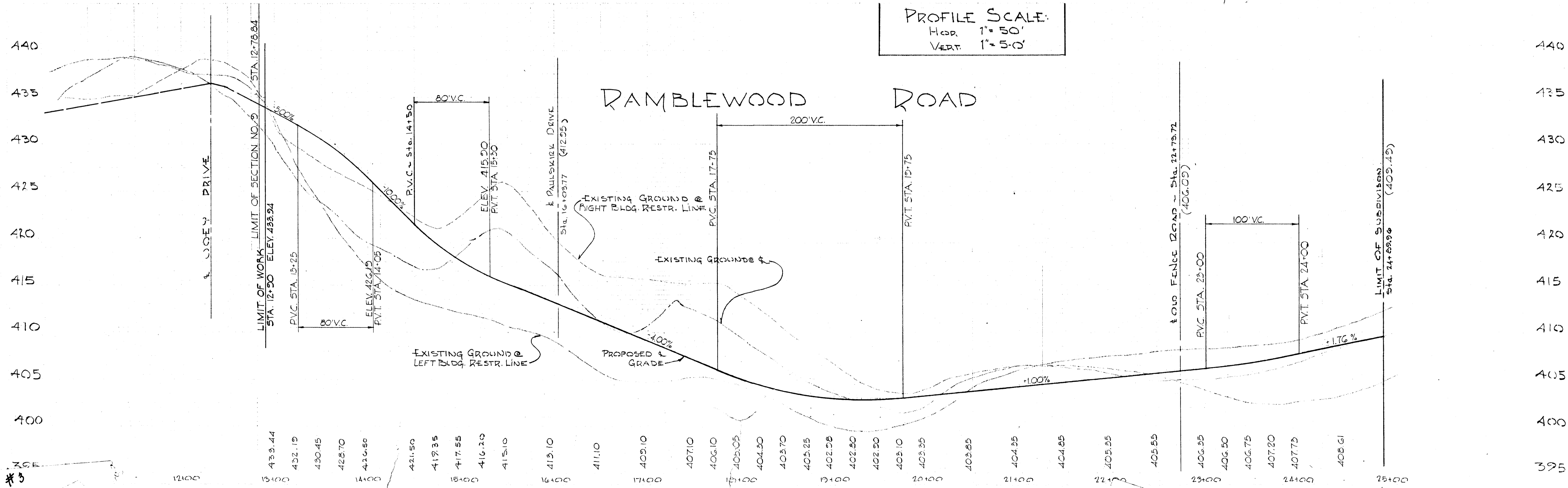
SCALE: AS SHOWN

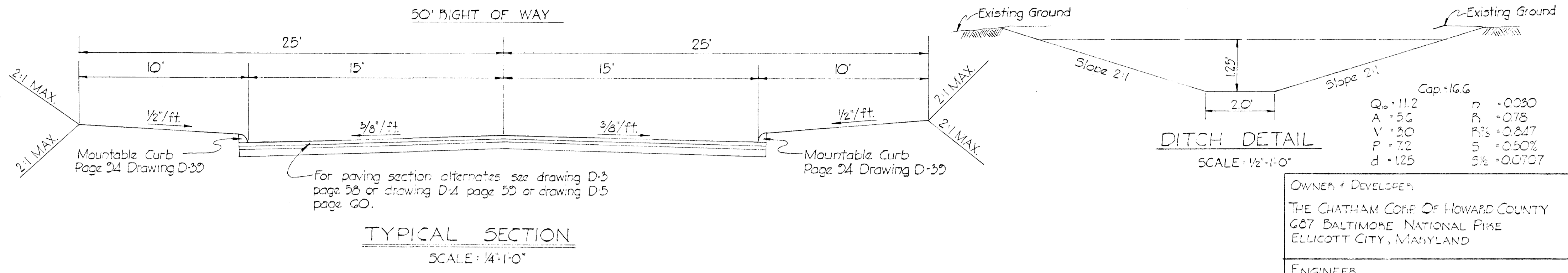
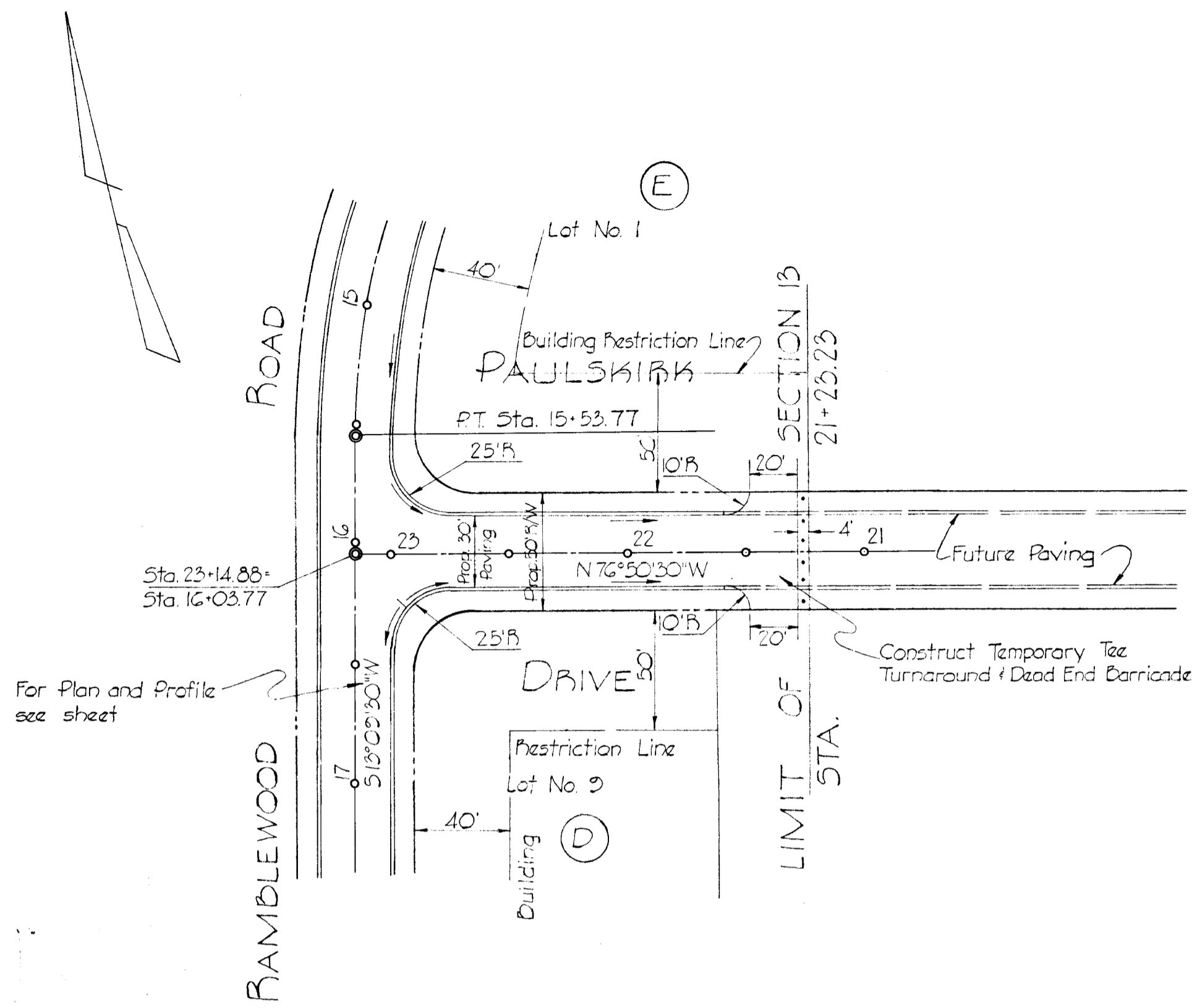
SHEET NO 1 OF 2



PLAN
 SCALE: 1" = 50'

PROFILE SCALE:
 HOR. 1" = 50'
 VERT. 1" = 5.0'





GENERAL NOTES:
 1) All construction shown hereon shall be in accordance with the Howard County Road Construction Code and Standard Specifications dated November 27, 1962 and revised August 1967.
 2) References to page and drawing numbers shown hereon are referred to the above mentioned Road Construction Code and Standard Specifications.

OWNER & DEVELOPER:
 THE CHATHAM CORP OF HOWARD COUNTY
 607 BALTIMORE NATIONAL PIKE
 ELLICOTT CITY, MARYLAND

ENGINEER:
 PURDUM AND JESCHKE
 3607 PARK AVENUE
 ELLICOTT CITY, MARYLAND

DEPARTMENT OF PUBLIC WORKS
 CHIEF, BUREAU OF HIGHWAYS
 OFFICE OF PLANNING AND ZONING

Francisco M. Mahland 3/31/70
 DATE

J.H. Clawson 3-31-70
 DATE

PLAN & PROFILE: PAULSKIRK DRIVE & DETAILS

SECTION No. 13
CHATHAM
 2ND ELECTION DISTRICT - HOWARD COUNTY, MARYLAND

JAN. 14, 1970
 REV. FEB. 12, 1970

SCALE: AS SHOWN
 SHEET NO. 2 OF 2

