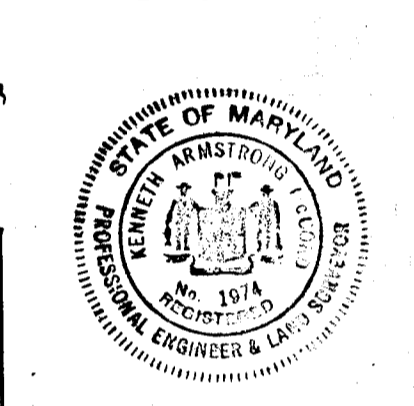
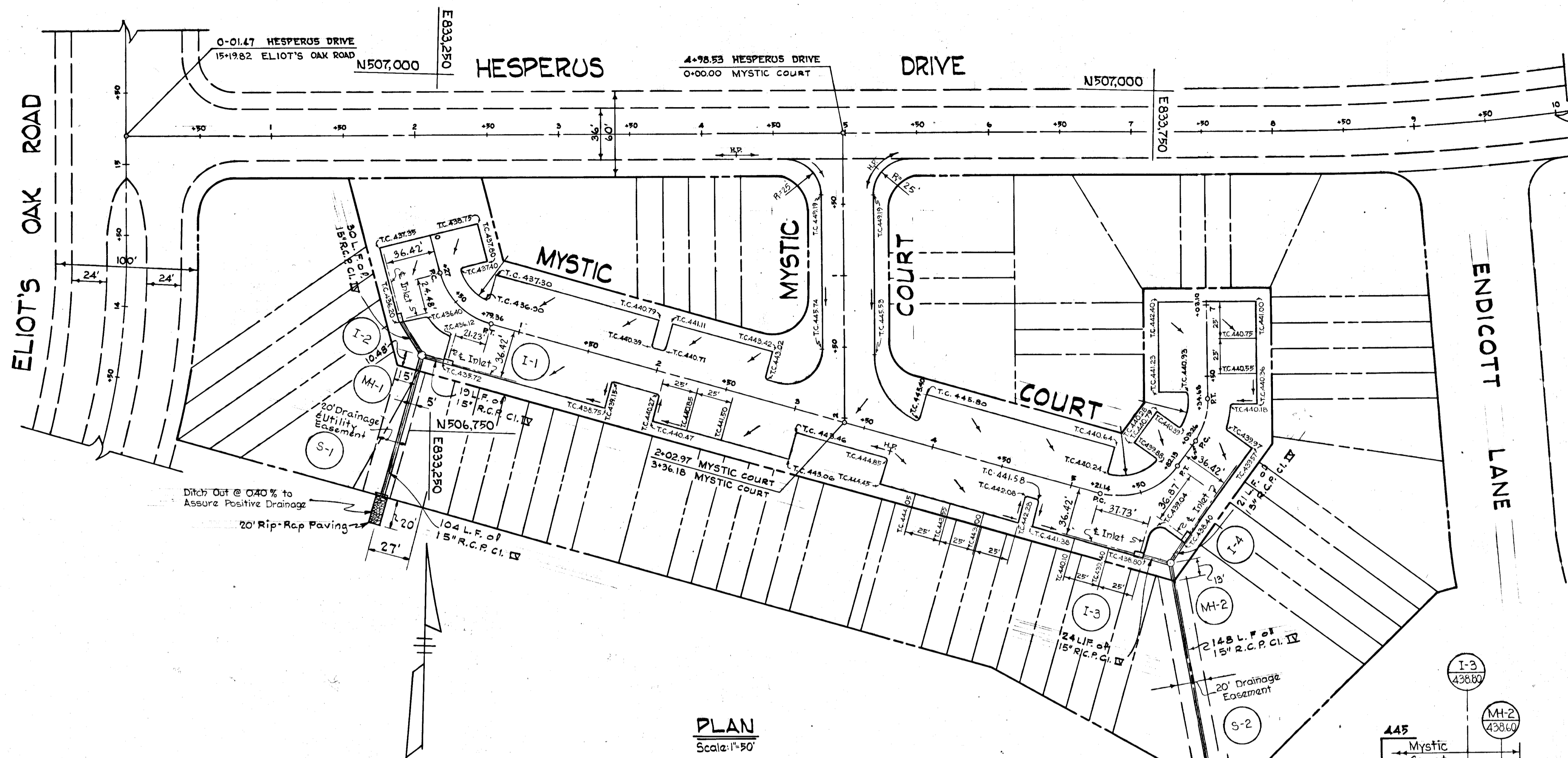


Kenneth A. McCord
 KENNETH A. MCCORD
 Registered Engineer No. 1974
 Date: Sept. 9, 1968
 WHITMAN, DEQUARDT & ASSOCIATES
 ENGINEERS
 1304 ST. PAUL STREET
 BALTIMORE, MARYLAND

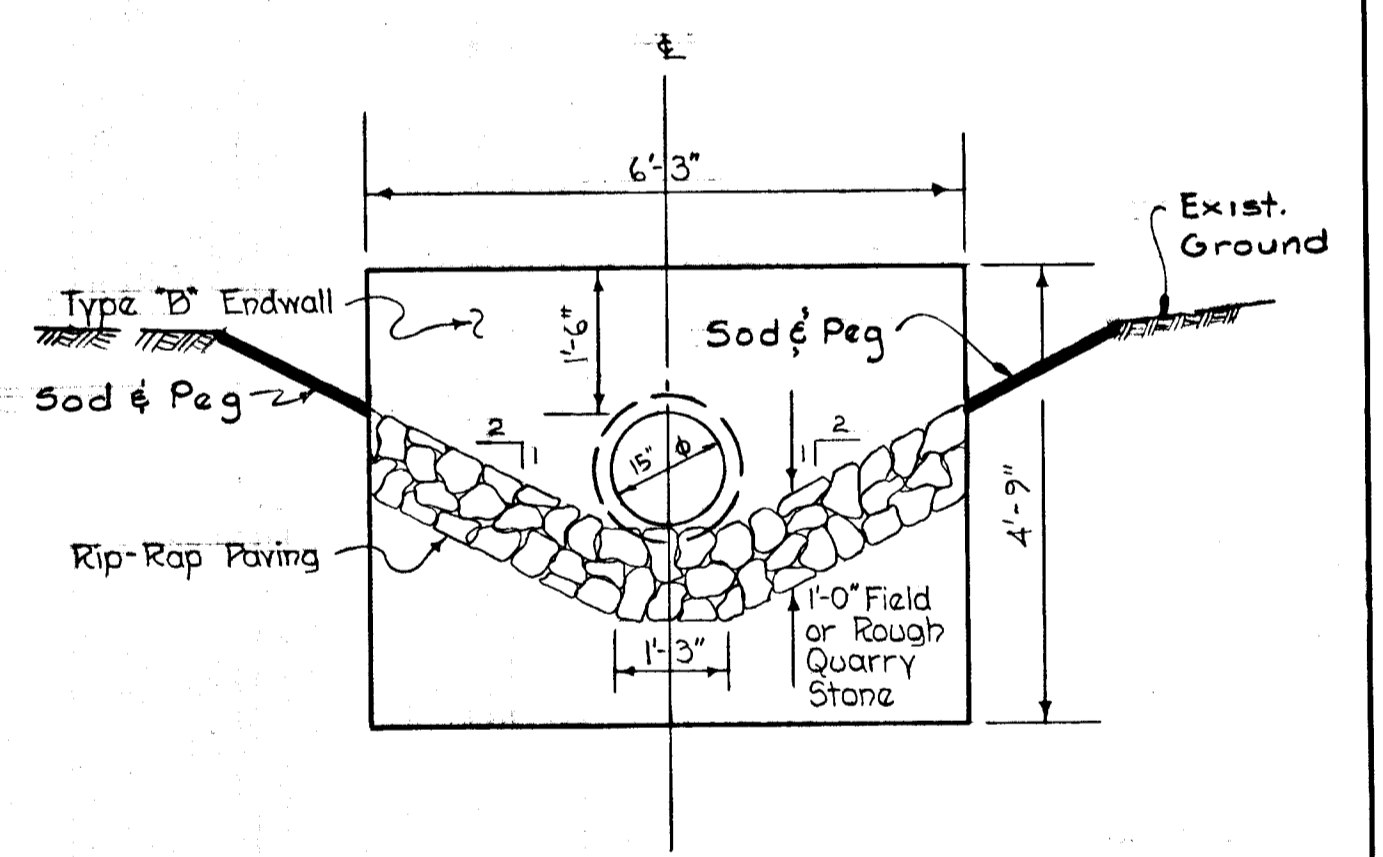
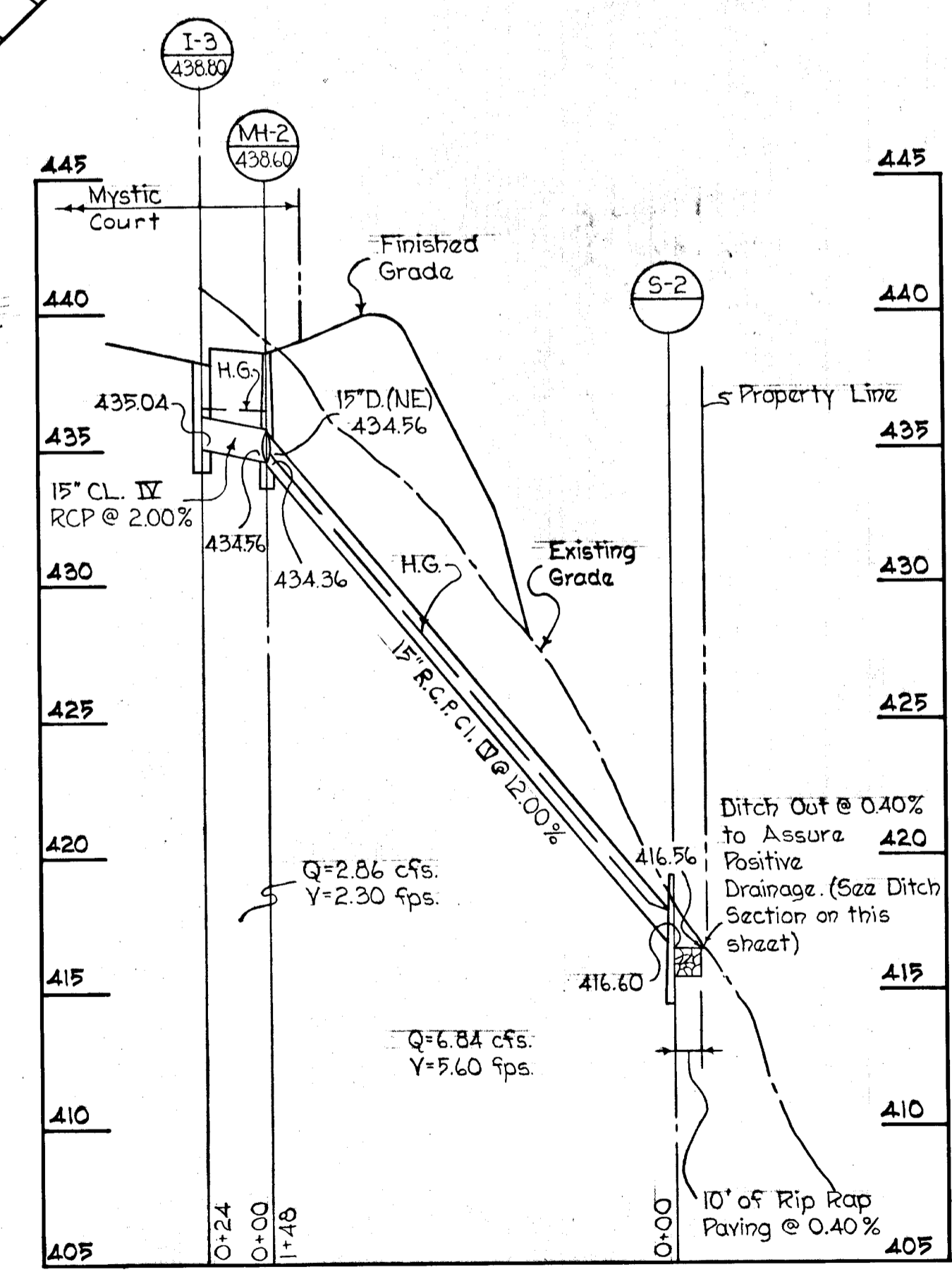
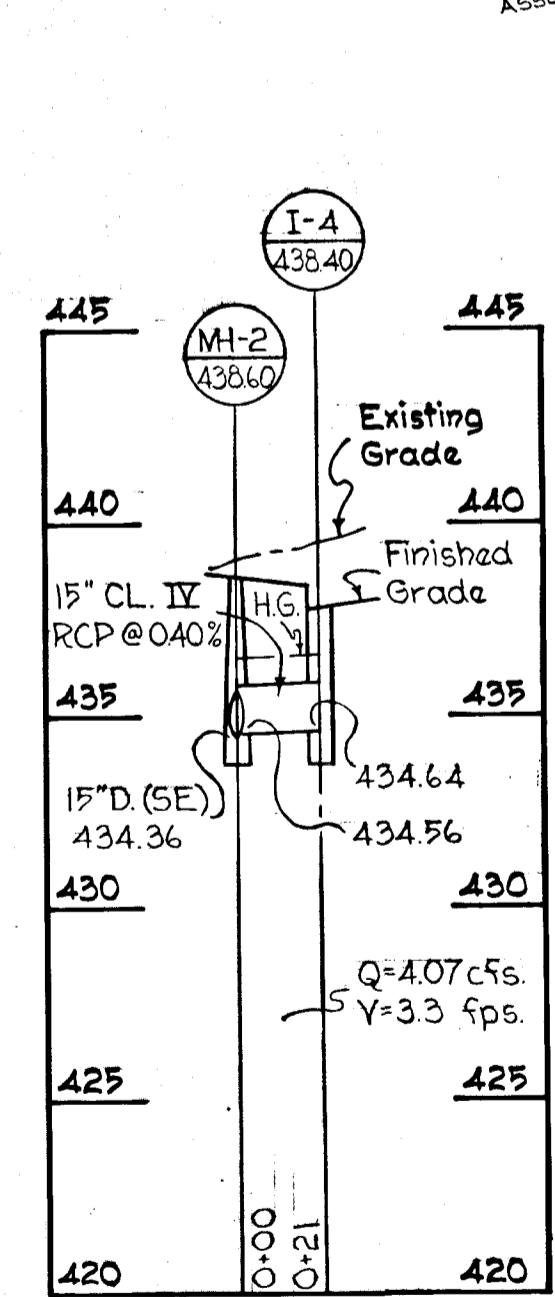
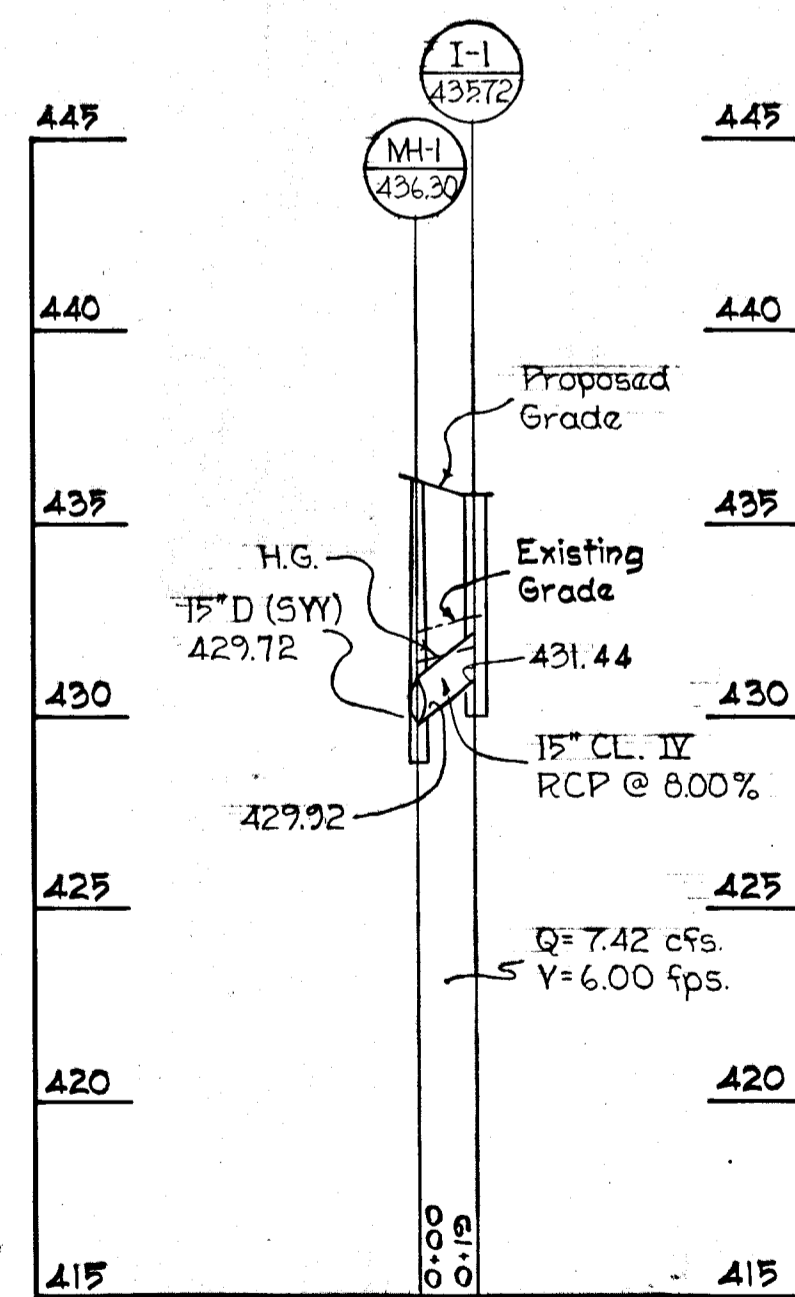
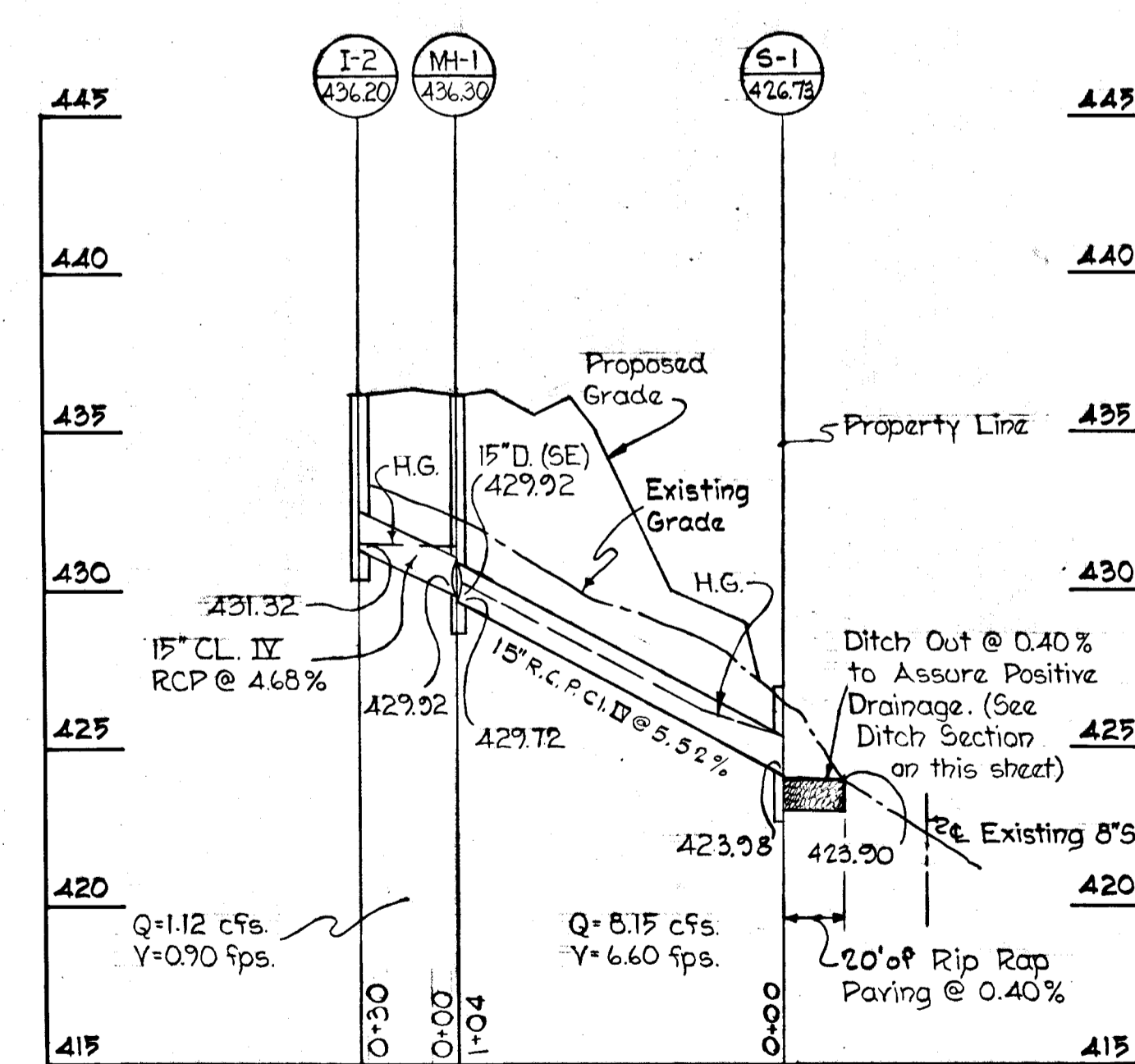


APPROVED
 PLANNING COMMISSION
 OF HOWARD COUNTY
 DATE: _____



ESTIMATE OF QUANTITIES (MYSTIC COURT)			
ITEM	DESCRIPTION	UNIT	QUANTITIES
1	BIT. CONC. SURFACE COURSE 1 1/2" TH.	S.Y.	5080
2	BIT. CONC. BASE COURSE 5" TH.	S.Y.	5080
3	15" CL. IV RCP	L.F.	346
4	TYPE "E" COMB. INLET	EA.	4
5	TYPE "A" MANHOLE	EA.	1
6	TYPE "B" MANHOLE	EA.	1
7	TYPE "B" ENDWALL	EA.	2
8	COMB. CURB & GUTTER	L.F.	2300
9	EARTH EXCAVATION (ROADWAY)	C.Y.	7000
10	EARTH EXCAVATION (DRAIN, DITCHES)	C.Y.	6
11	PLACING TOPSOIL 4" TH.	S.Y.	2000
12	CONC. SIDEWALK 4" TH.	S.Y.	710
13	RIP-RAP PAVING 12" TH.	S.Y.	24
14	SOD-DRAINAGE DITCHES	S.Y.	15

STRUCTURE SCHEDULE				
No	TYPE	TOP ELEV.	INVERT	REMARKS
I-1	"E" COMB. INLET	435.72	431.44	
I-2	"E" COMB. INLET	436.20	431.32	
I-3	"E" COMB. INLET	438.80	436.04	
I-4	"E" COMB. INLET	438.40	434.64	
S-1	"B" ENDWALL	426.78	423.98	
S-2	"B" ENDWALL	419.35	416.60	
MH-1	"A" MANHOLE	435.90	429.72	
MH-2	"B" MANHOLE	438.60	434.56	



Kenneth A. McCord
 Registered Engineer No. 1974
 Date: Sept. 9, 1968
 WHITMAN, REQUARDT & ASSOCIATES
 ENGINEERS
 1304 ST. PAUL STREET
 BALTIMORE, MARYLAND



PROFILES
 Hor: 1"=50'
 Ver: 1"=5'

HOWARD COUNTY PLANNING COMMISSION
 HOWARD COUNTY ROAD DEPARTMENT
 HOWARD COUNTY METROPOLITAN COMMISSION
 DATE: 10-7-68
 DATE: 10-8-68
 DATE: 10-2-69

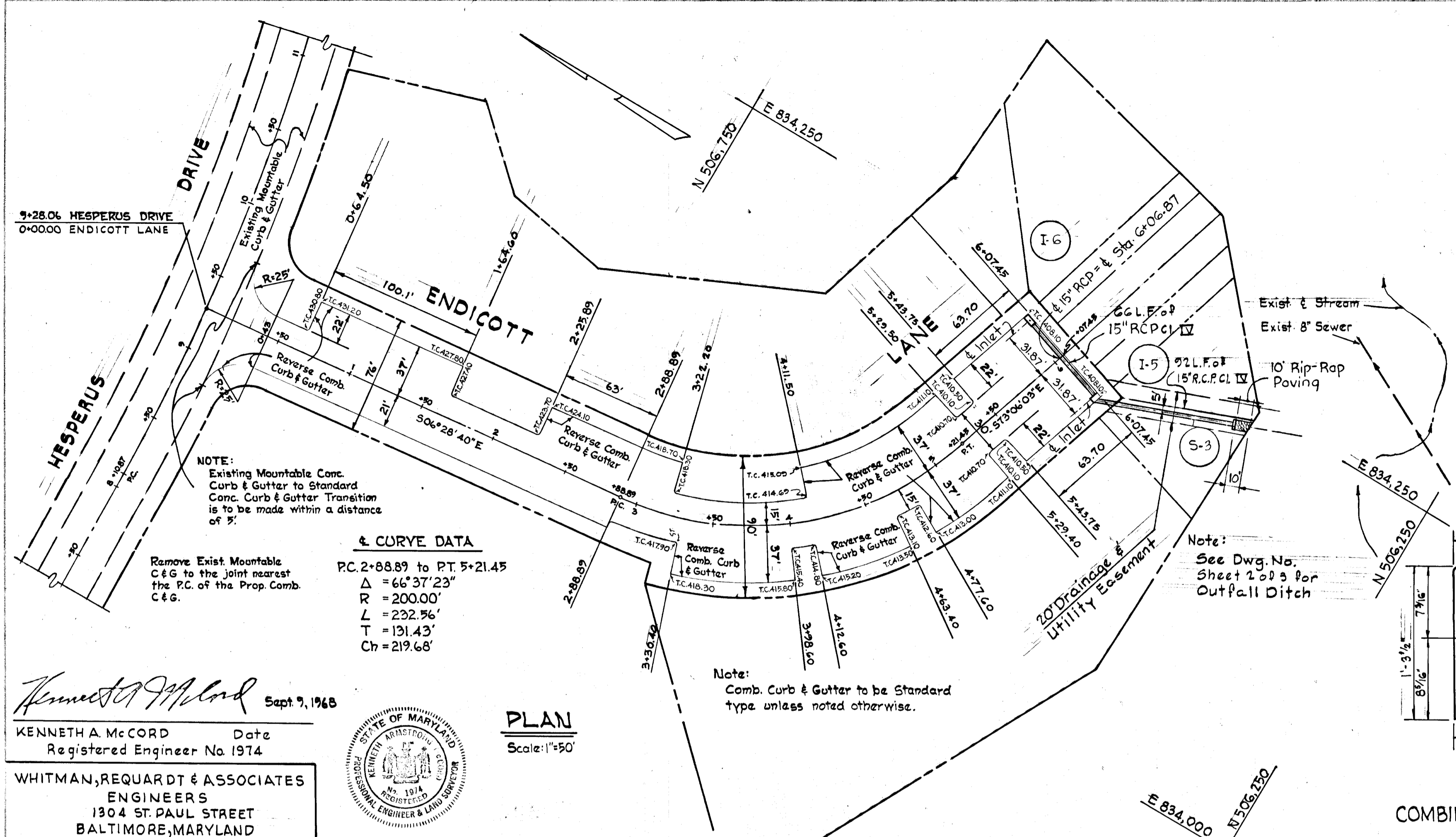
APPROVED
 PLANNING COMMISSION
 OF HOWARD COUNTY
 DATE: _____

Rev. Date	No.	Description

COLUMBIA
 ELECTION DISTRICT No. 5
 HOWARD COUNTY, MARYLAND
 VILLAGE OF HARPER'S CHOICE
 SECTION 3, AREA 2
 RESUBDIVISION OF LOT 1
 ROAD GRADE AND STORM DRAIN
 MYSTIC COURT

Scale: As Shown Date: Sept. 9, 1968 Dwg. No. Sht. 2 of 3

F-68-63

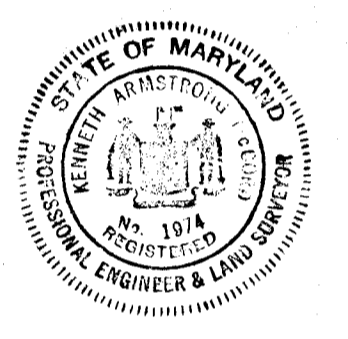


CURVE DATA

PC	2+88.89 to PT	5+21.45
Δ	66°37'23"	
R	200.00'	
L	232.56'	
T	131.43'	
Ch	219.68'	

Kenneth A. McCord Sept 9, 1968
 Registered Engineer No. 1974

WHITMAN, REQUARDT & ASSOCIATES
 ENGINEERS
 1304 ST. PAUL STREET
 BALTIMORE, MARYLAND



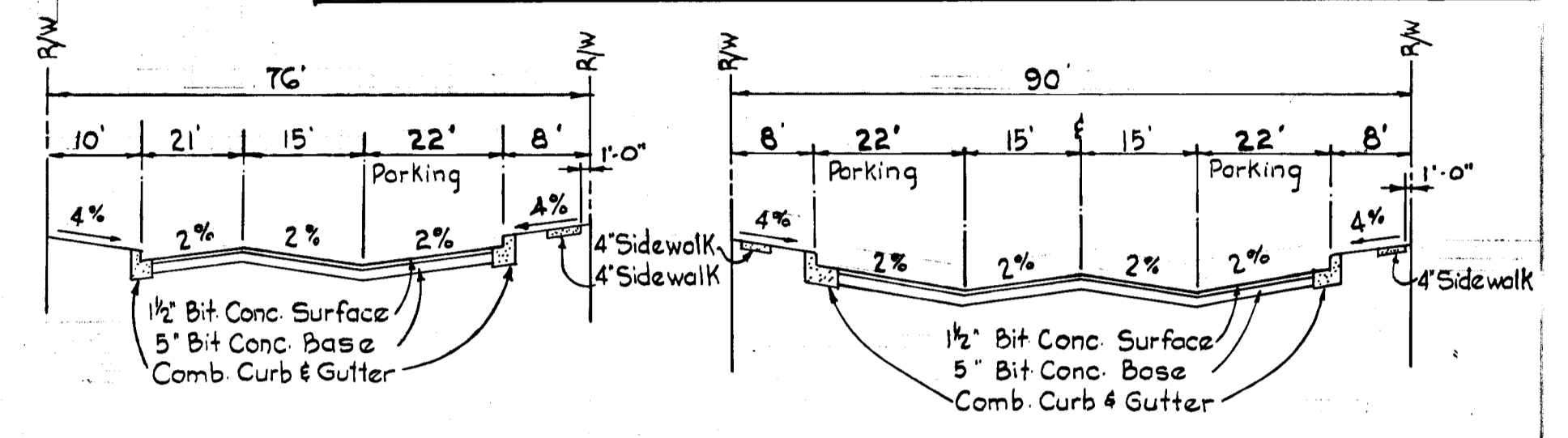
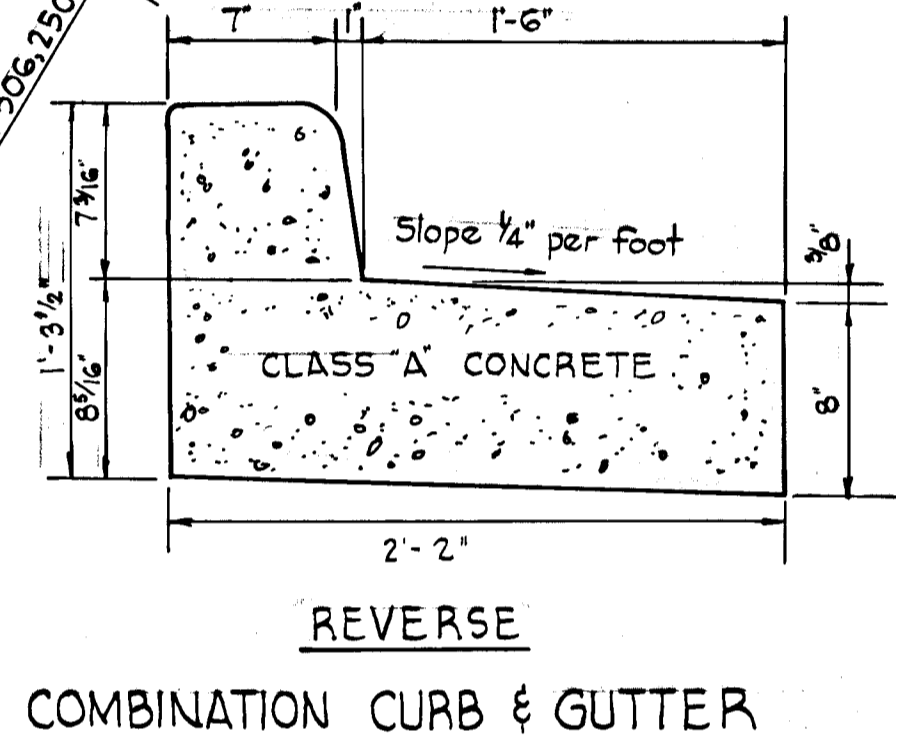
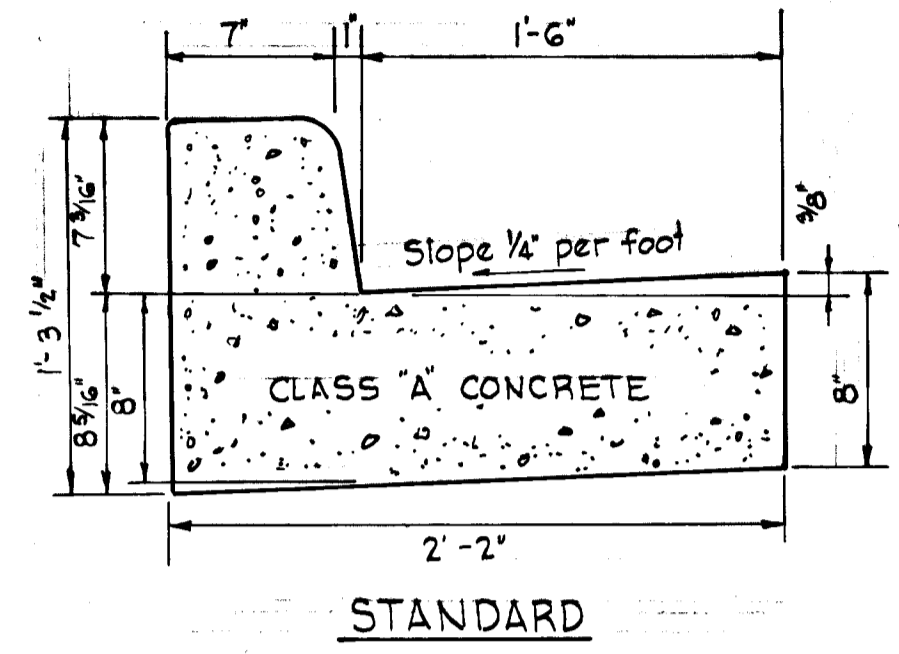
PLAN
 Scale: 1"=50'

STRUCTURE SCHEDULE

NO	TYPE	TOP ELEV.	INV. OUT.	REMARKS
I-5	"E" Comb. Inlet	408.10	400.94	
I-6	"E" Comb. Inlet	408.10	403.12	
S-3	"B" Endwall	397.25	394.50	

ESTIMATE OF QUANTITIES (STANDISH COURT)

ITEM	DESCRIPTION	UNIT	QUANTITIES
1	BIT. CONC. SURFACE COURSE 1 1/2" TH.	S.Y.	3,350
2	BIT. CONC. BASE COURSE 5" TH.	S.Y.	3,350
3	15" CL. IV RCP	L.F.	158
4	TYPE "E" COMB. INLET	EA.	2
5	TYPE "B" ENDWALL	EA.	1
6	COMB. CURB & GUTTER	L.F.	1560
7	EARTH EXCAVATION (ROADWAY)	C.Y.	600
8	EARTH EXCAVATION (DRAIN. DITCH)	C.Y.	3
9	PLACING TOPSOIL 4" TH.	S.Y.	1200
10	CONC. SIDEWALK 4" TH.	S.Y.	440
11	RIP-RAP PAVING 12" TH.	S.Y.	8
12	SOD-DRAINAGE DITCH	S.Y.	5



NOTE:
 All work to be performed in accordance with the Howard County Road Construction Code and Standard Specifications.

HOWARD COUNTY PLANNING COMMISSION *J. A. Clayton* 10-7-68
 DATE: 10-7-68
 HOWARD COUNTY ROAD DEPARTMENT *Drummond* 10-7-68
 ROAD SUPERINTENDENT DATE: 10-7-68
 HOWARD COUNTY METROPOLITAN COMMISSION *W. O. Filbeck* 10-7-68
 CHIEF ENGINEER DATE: 10-7-68

REV. DATE	NO.	DESCRIPTION
		COLUMBIA ELECTION DISTRICT NO. 5 HOWARD COUNTY, MARYLAND VILLAGE OF HARPERS CHOICE SECTION 3, AREA 2 RESUBDIVISION OF LOT #1 ROAD GRADE AND STORM DRAIN ENDICOTT LANE

Scale: As Shown Date: Sept. 9, 1968 Dwg. No. 5th. 3 of 3

APPROVED
 PLANNING COMMISSION OF HOWARD COUNTY
 DATE: _____

