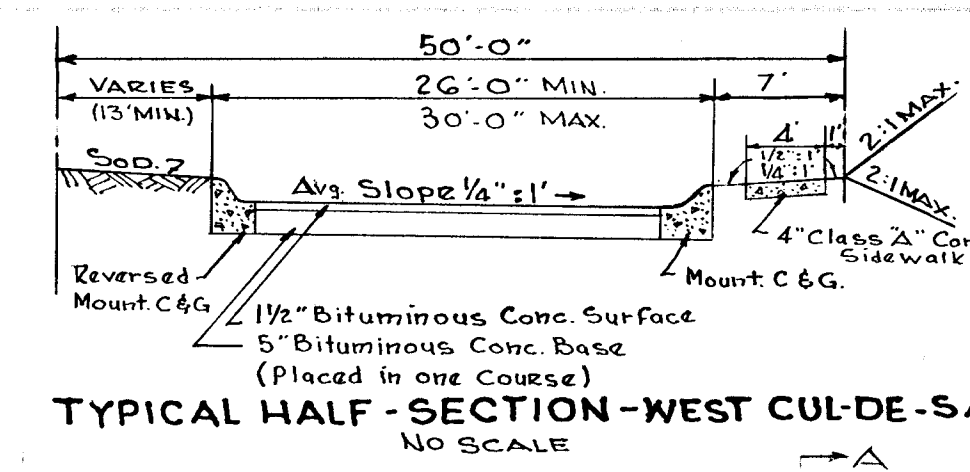
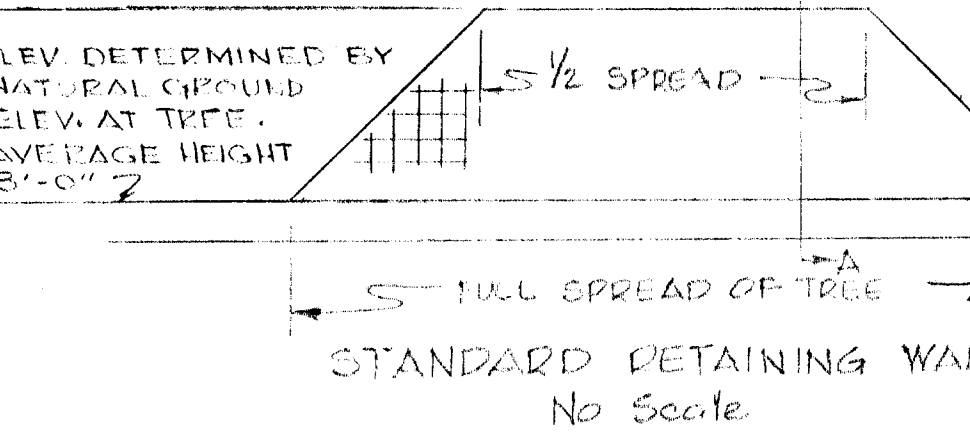


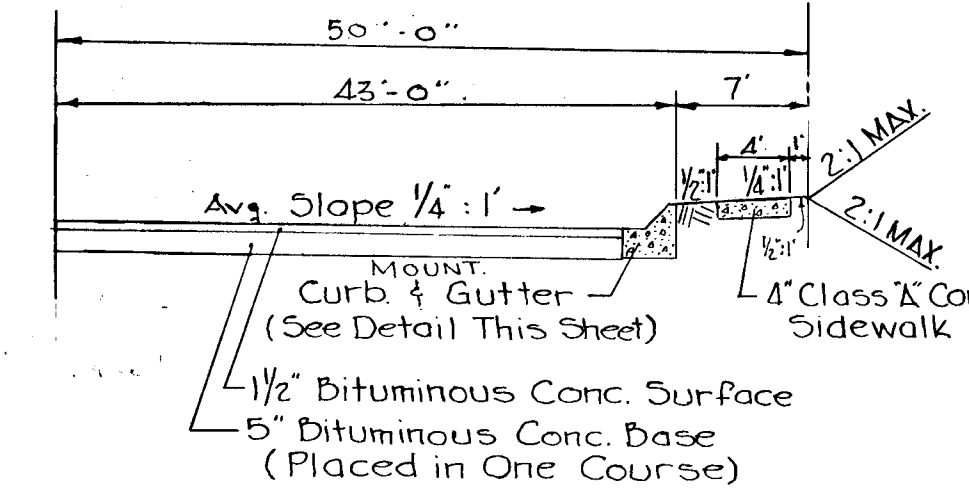
TYPICAL HALF SECTION
NO SCALE



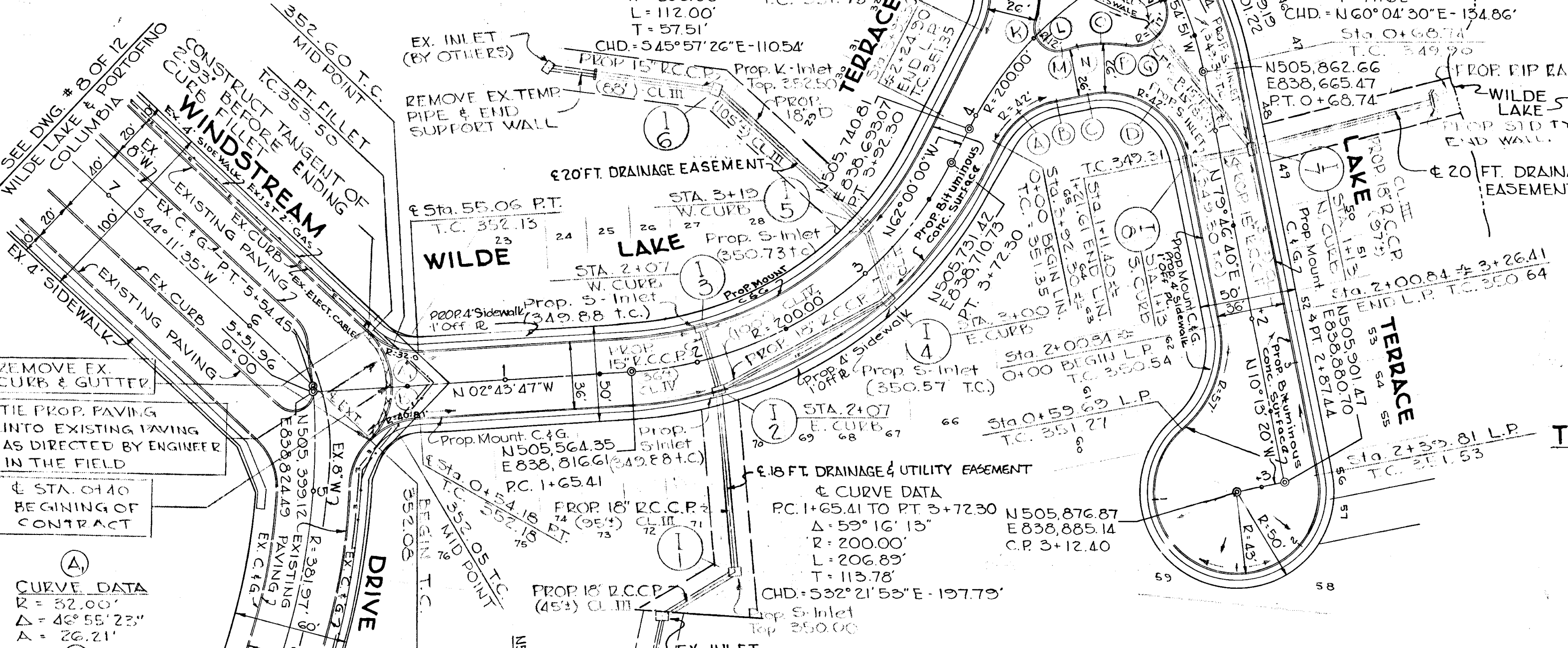
TYPICAL HALF-SECTION-WEST CUL-DE-SAC
NO SCALE



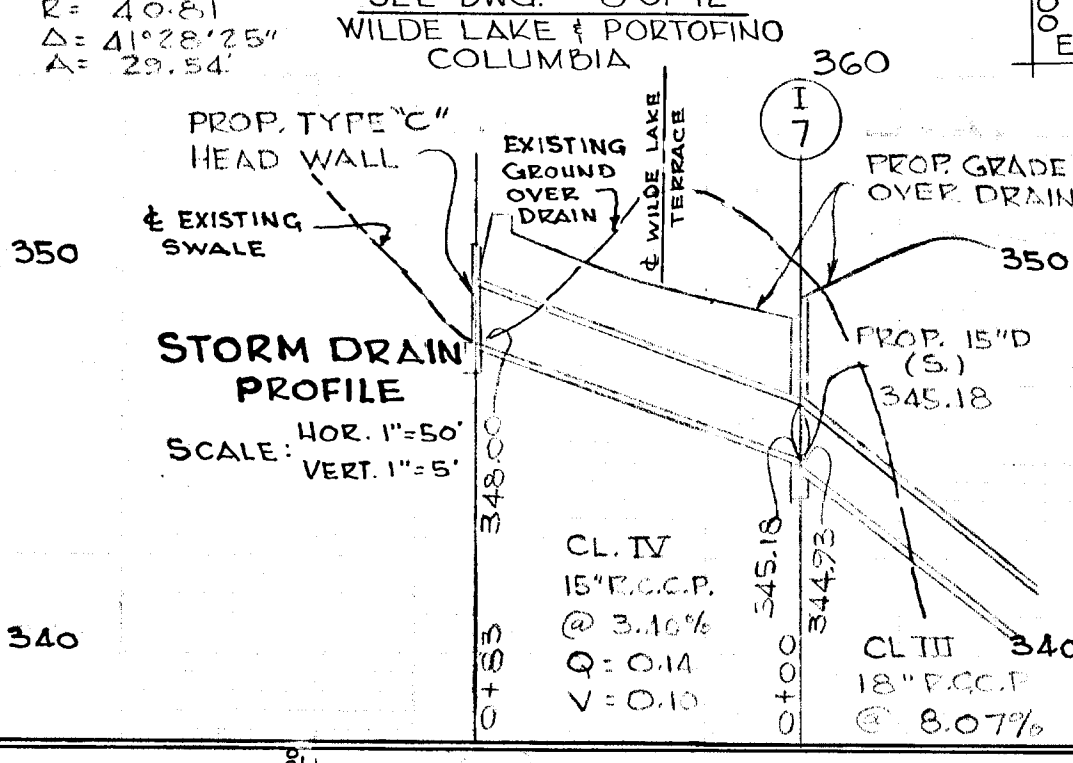
TYPICAL HALF-SECTION-EAST CUL-DE-SAC
NO SCALE



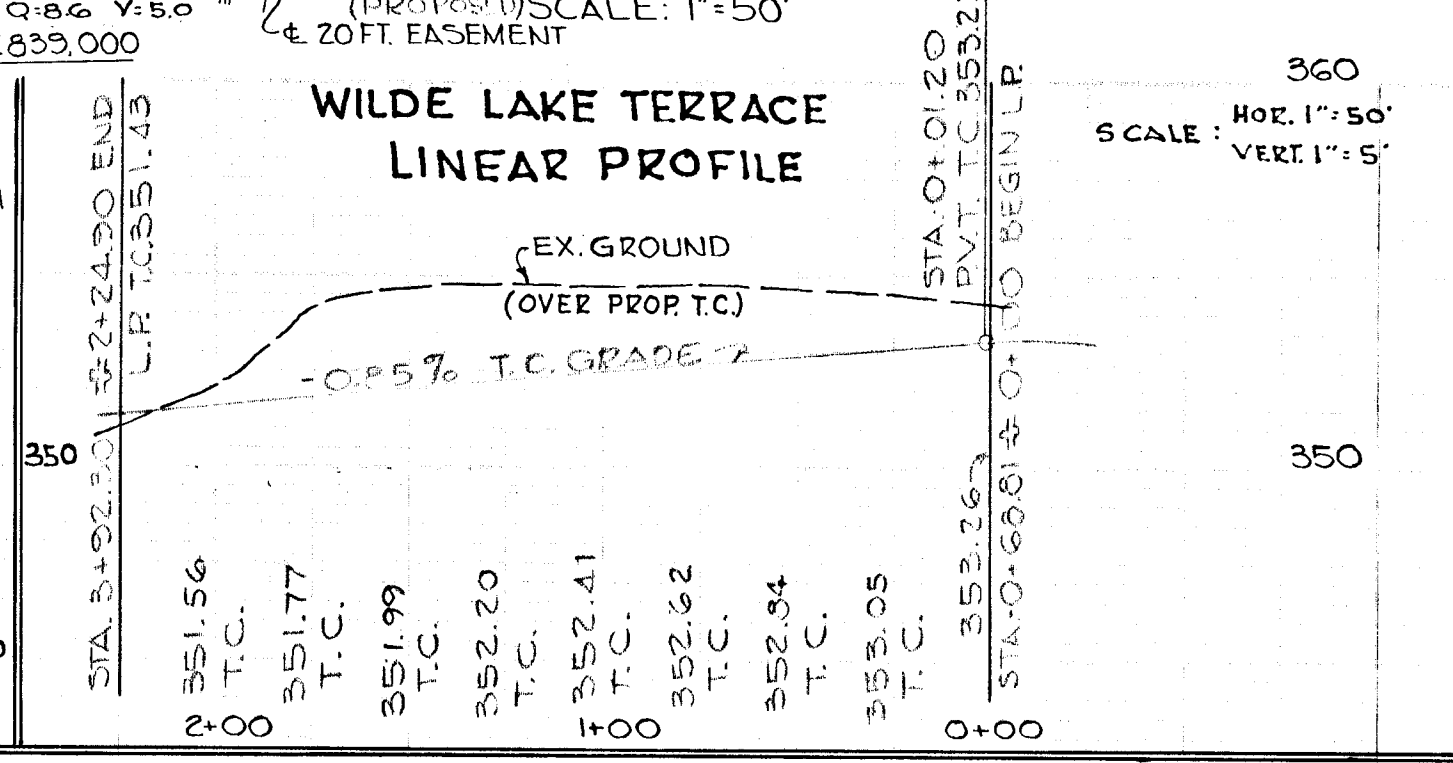
TYPICAL MOUNTABLE CURB & GUTTER DETAILS
NO SCALE



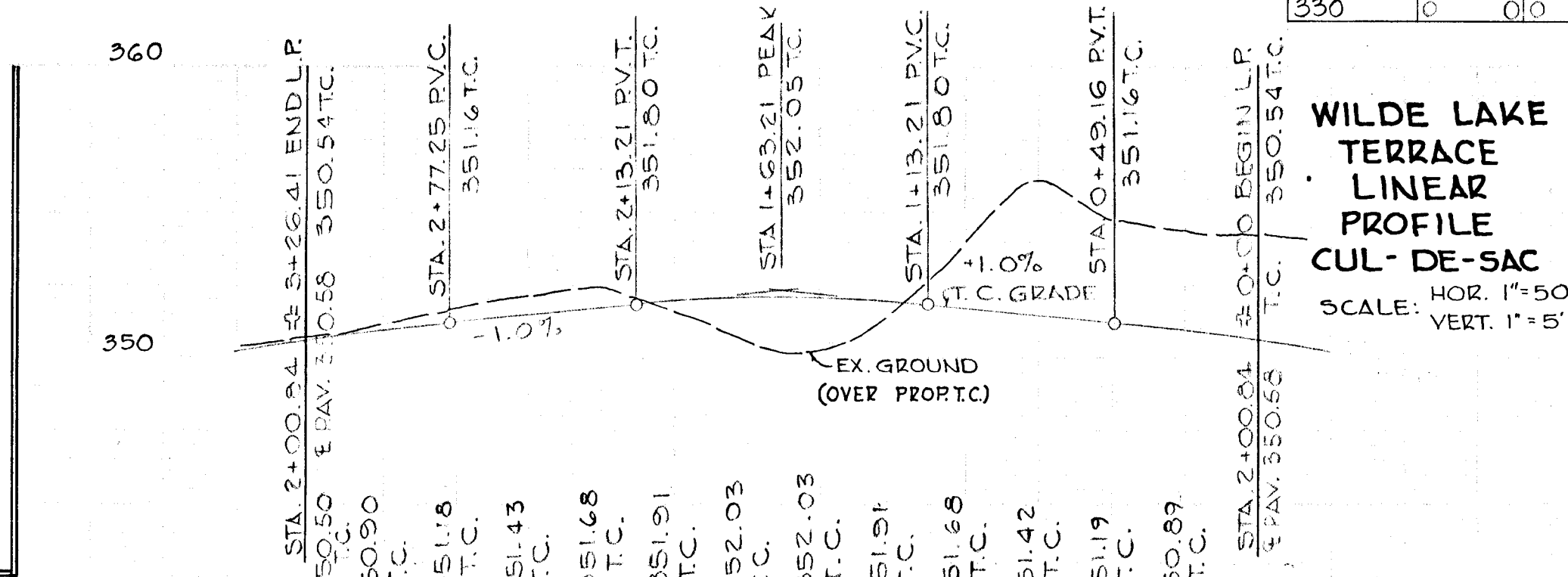
PLAN
SCALE: 1"=50'



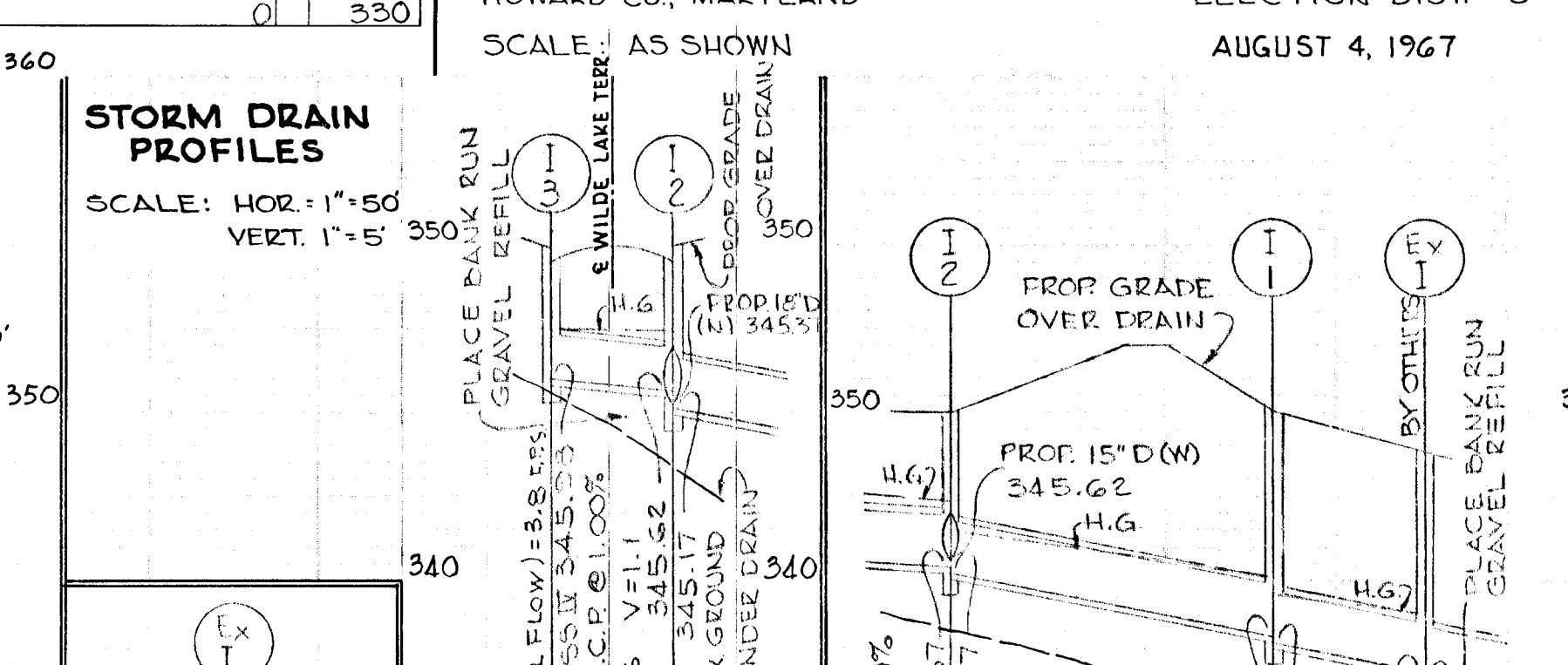
STORM DRAIN PROFILE
SCALE: HOR. 1"=50'
VERT. 1"=5'



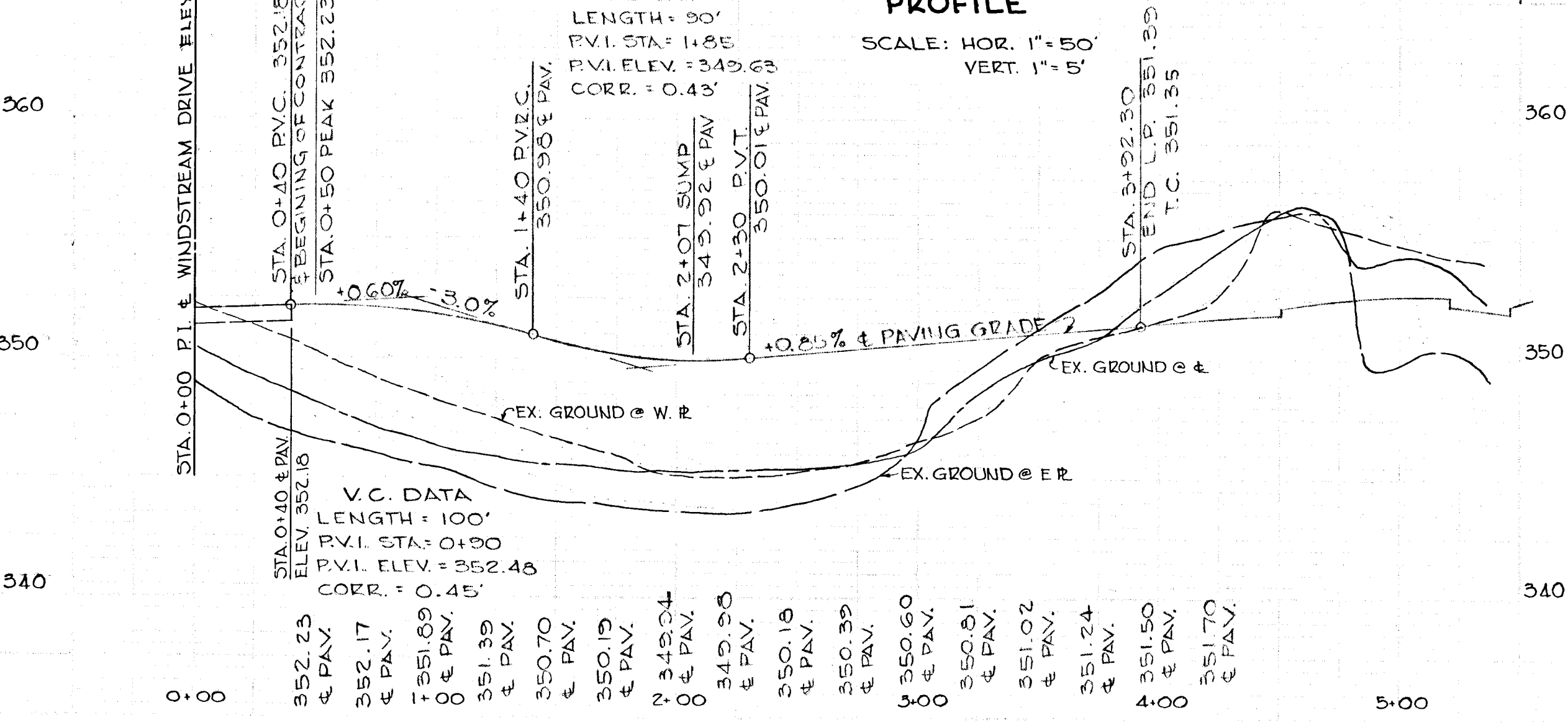
WILDE LAKE TERRACE LINEAR PROFILE
SCALE: HOR. 1"=50'
VERT. 1"=5'



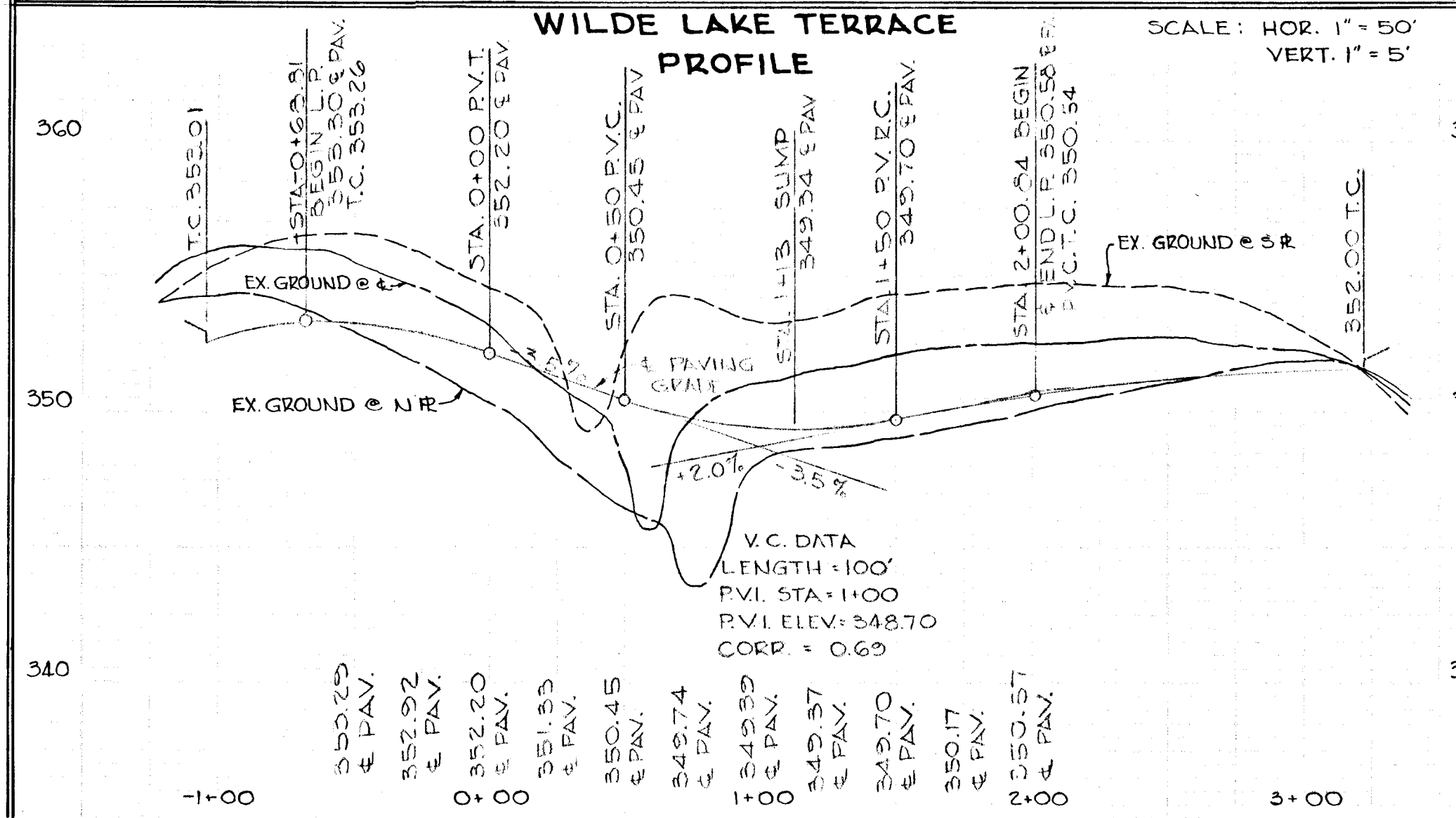
WILDE LAKE TERRACE PROFILE
SCALE: HOR. 1"=50'
VERT. 1"=5'



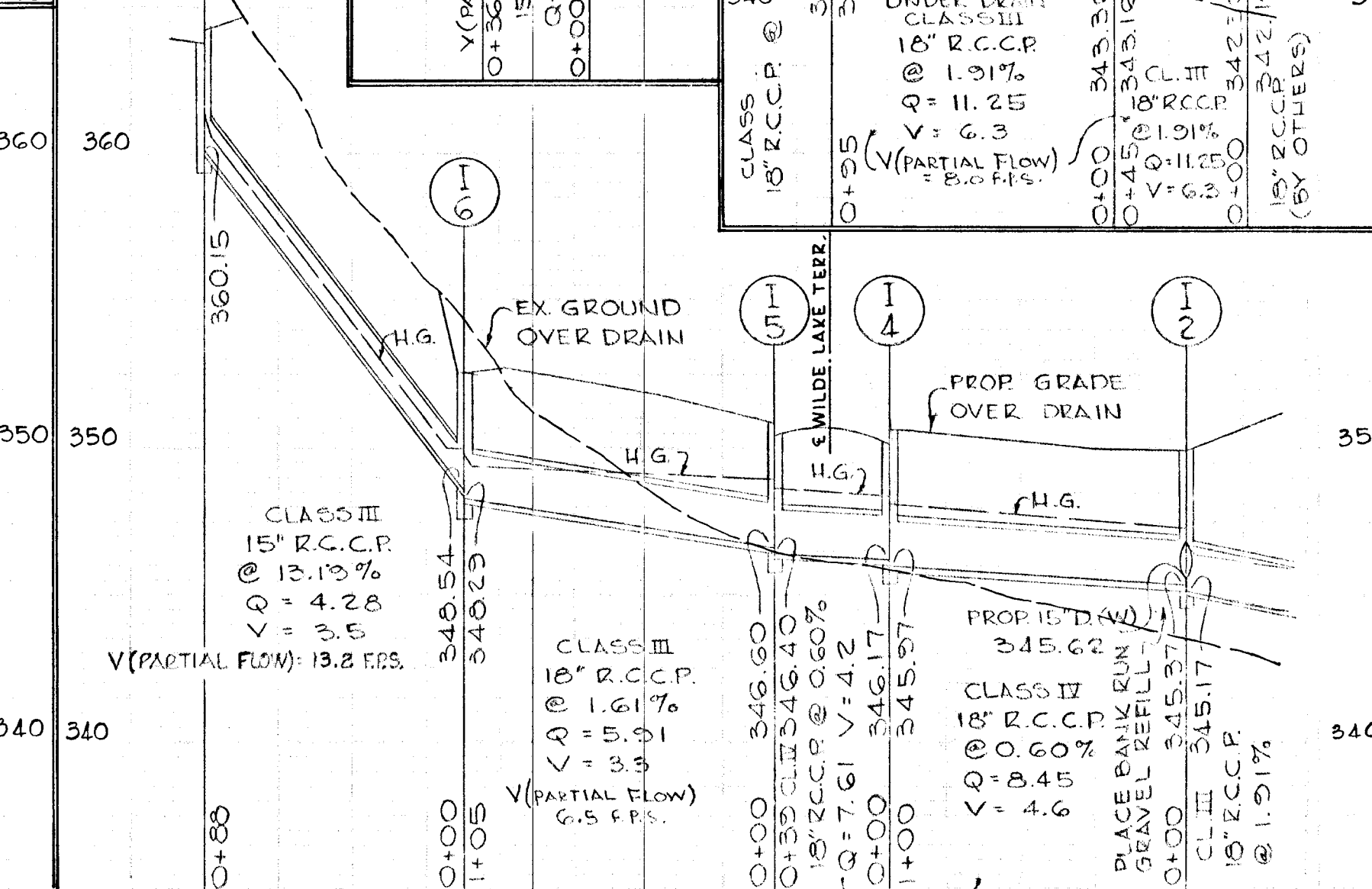
WILDE LAKE TERRACE CUL-DE-SAC PROFILE
SCALE: HOR. 1"=50'
VERT. 1"=5'



WILDE LAKE TERRACE PROFILE
SCALE: HOR. 1"=50'
VERT. 1"=5'



WILDE LAKE TERRACE PROFILE
SCALE: HOR. 1"=50'
VERT. 1"=5'



WILDE LAKE TERRACE PROFILE
SCALE: HOR. 1"=50'
VERT. 1"=5'

GENERAL NOTES

- FOR ROADWAY SECTION OF WILDE LAKE TERRACE SEE DETAILS THIS SHEET
- FOR DETAIL OF MOUNTABLE CONCRETE CURB & GUTTER, REVERSE CURB & GUTTER, & VERTICAL CURB, SEE DETAILS THIS SHEET.
- FOR DETAILS OF AN 8-INLET, K-INLET, AND STD. END SUPPORT WALL, SEE THE FOLLOWING DRAWINGS UNDER HOWARD COUNTY ROAD CONSTRUCTION CODE & STD. SPECIFICATIONS:
D-98 PAGE 153 S-INLET
D-93 PAGE 148 K-INLET
D-52 PAGE 107 STD. TYPE "C" HEAD WALL
D-45 PAGE 105 STD. TYPE "B" END WALL
FOR TYPICAL HALF-SECTION OF CUL-DE-SAC SEE DETAIL THIS SHEET.
- FOR STANDARD RETAINING WALL SEE DETAIL THIS SHEET.

GENERAL REVISIONS	BY: D.J.A.	1-18-68	APPR'D:
GENERAL REVISIONS	BY: G.J.J.	10-10-67	APPR'D:
GENERAL REVISIONS	BY: D.J.R.	11-13-67	APPR'D:

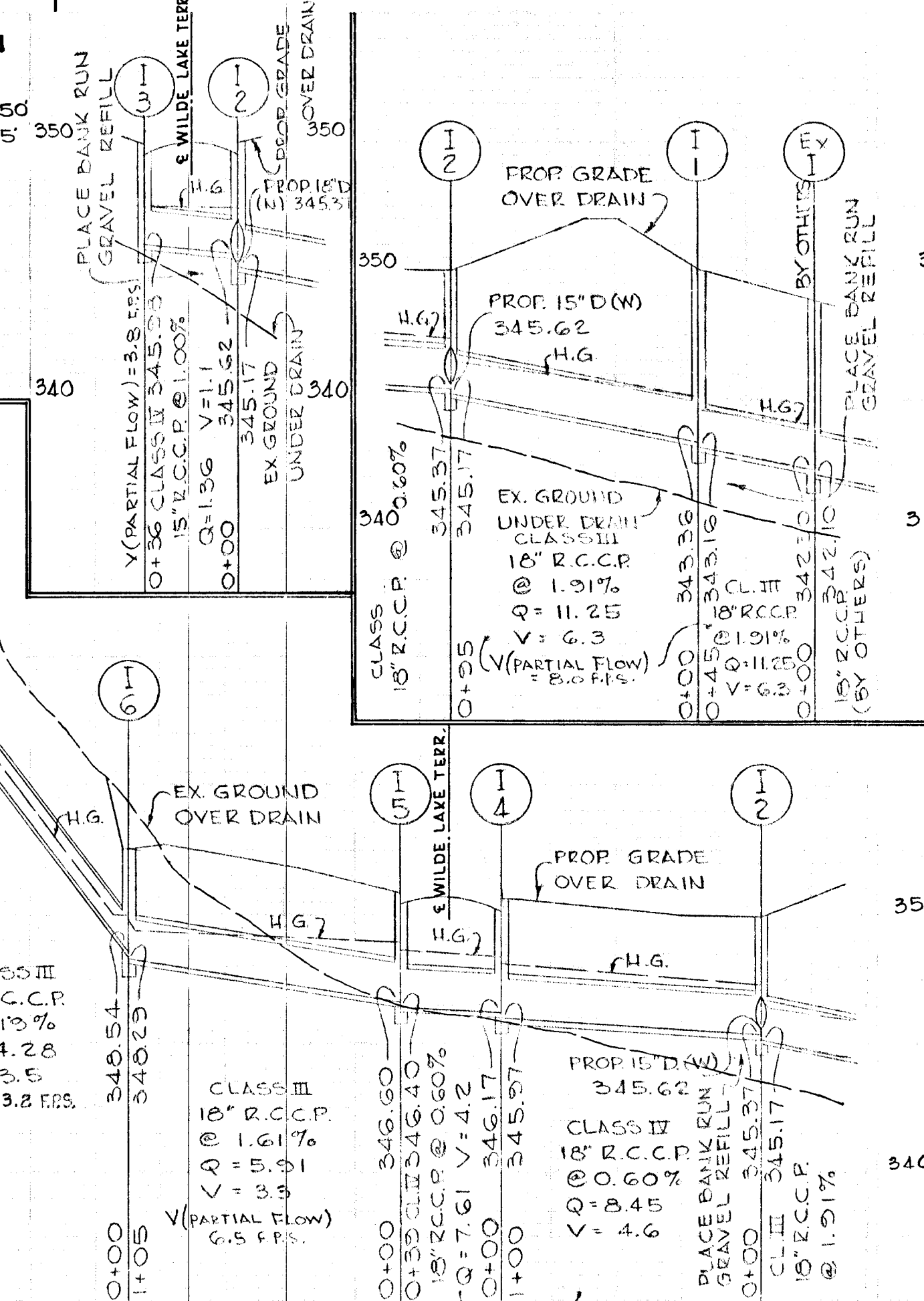
OWNER & DEVELOPER HOWARD RESEARCH & DEVELOPMENT CORP. THE VILLAGE OF CROSS KEYS BALTIMORE, MARYLAND	ENGINEER GEORGE W. STEPHENS JR. & ASSOC. 303 ALLEGHENY AVE. TOWSON, MARYLAND
---	--

APPROVED: HOWARD CO. PLANNING COMM. <i>J. J. Clouston</i> SENIOR ENGINEER	APPROVED: HOWARD CO. ROADS DEPT. <i>Francis W. McLeod</i> ROAD SUPERINTENDENT	APPROVED: HOWARD CO. MET. COMM. <i>W. O. Libert</i> CHIEF ENGINEER	DATE: 7/2/68 DATE: 6-4-68 DATE: 6-4-68
---	---	--	--

PLAN & PROFILE
WILDE LAKE TERRACE
VILLAGE OF WILDE LAKE SUBDIVISION
SECTION SIX AREA THREE
COLUMBIA

HOWARD CO., MARYLAND
SCALE: AS SHOWN

ELECTION DIST. #5
AUGUST 4, 1967



STORM DRAIN PROFILES
SCALE: HOR. 1"=50'
VERT. 1"=5'