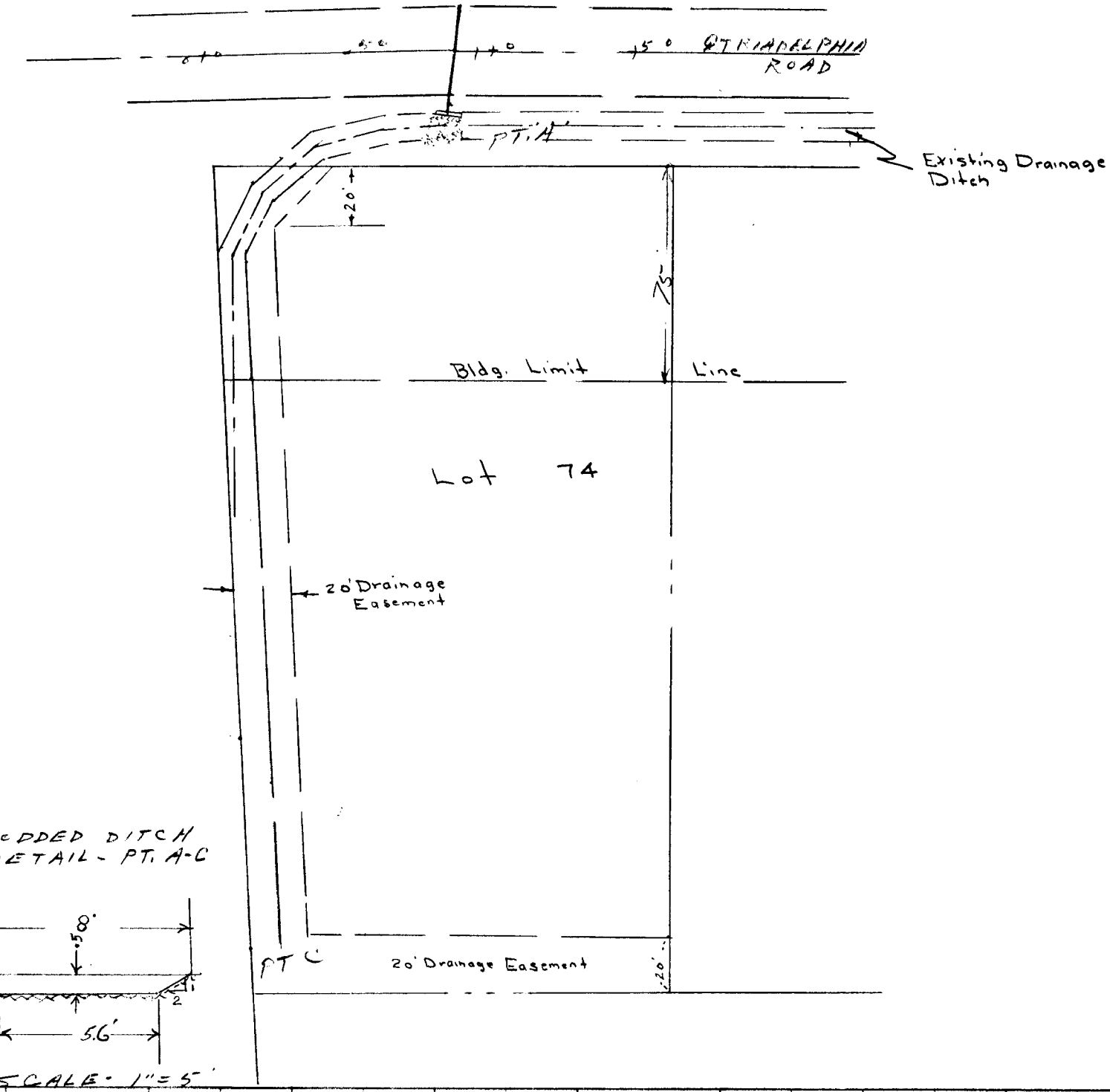
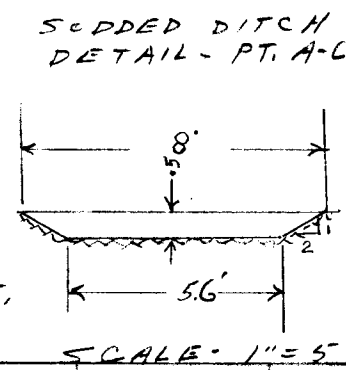


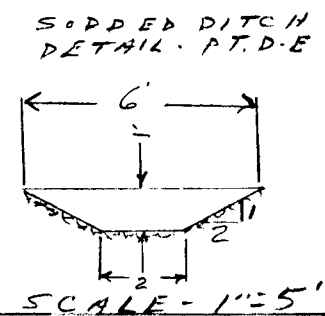
PLAN	CONVERTED	DATE
	PLOTTED	BY
	NOTE BOOK	ALIGNMENT CHECKED
	NO.	RT. OF WAY CHECKED



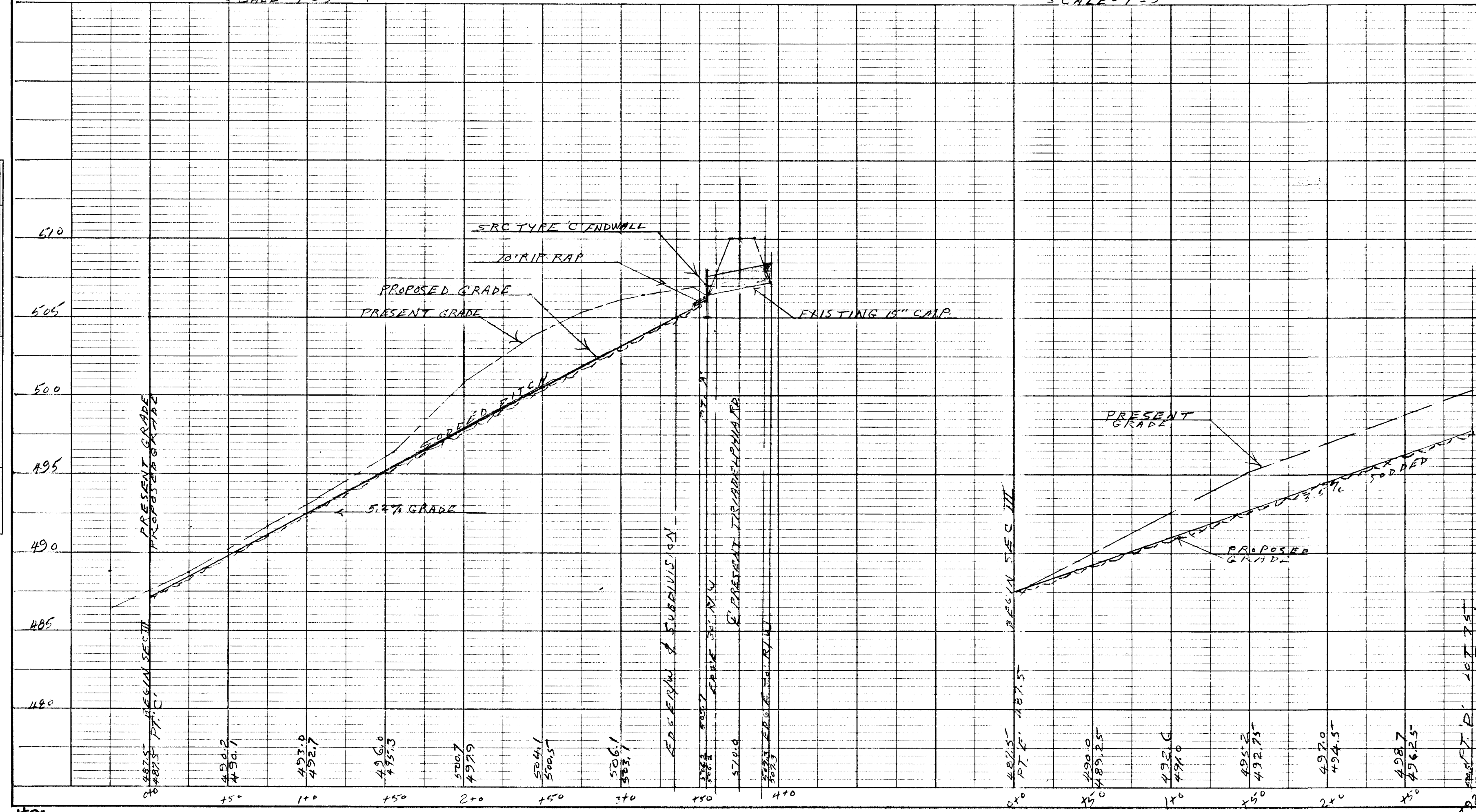
G REQ. 23.4
 Q CAP 28.6
 SLOPE 5.2%
 V = 7.0 F/S
 AREA = 4.08 SQ. FT.



G REQ 21.0
 Q CAP. 27.0
 SLOPE 3.5%
 V = 6.7 F/S
 AREA = 4.52 FT.



PROFILE	CONVERTED	DATE
	PLOTTED	BY
	NOTE BOOK	GRADES CHECKED
	NO.	ENTRANCE NOTINGS CHECKED



EVERGREEN VALLEY ESTATES
 SECTION 3
 DRAINAGE DESIGN REVISED
 THIRD ELECTION DISTRICT OF HOWARD COUNTY
 ELLICOTT CITY, MARYLAND
 Scale: 1" = 50 Ft. Horizontal
 1" = 5 Ft. Vertical
 December 7, 1967

Engineer: *Clayton M. Skinner, Jr.*
 Clayton M. Skinner, Jr., Reg. Eng. & Land Surveyor No. 2237
 Ellicott City, Maryland

Owner-Developer: Leonard Leonard
 Philadelphia, Pa.
 Ellicott City, Md.

