

HOWARD COUNTY: PIPE BREAKS - FIELD DATA

DAY: 12-18-06
 TIME: 4:00pm
 TIME OF BREAK: Circle
 ENGINEER: _____

LOCATION: _____
 GPS LOCATION: _____

GPS: 2460

PHOTO BEFORE REPAIRS:

Number of Pictures: _____

SOIL CHEMISTRIES:

| REDOX | | SOIL BOX RESISTIVITIES | | pH | |
|----------------------|--|------------------------|--|----------------------|--|
| (mV) | | (Ohm-cm) | | (mV) | |
| (mV) | | (Ohm-cm) | | (mV) | |
| Top of Pipe (12) | | Top of Pipe (12) | | Top of Pipe (12) | |
| Side of Pipe (3 / 9) | | Side of Pipe (3 / 9) | | Side of Pipe (3 / 9) | |
| Bottom of Pipe (6) | | Bottom of Pipe (6) | | Bottom of Pipe (6) | |
| | | | | Actual Soil pH | |

Soil Type: ___ Clay ___ Sand ___ Silt Clay/sand ___ BGC* ___ Other

DETAILS:

Pipe Type: Cast Iron ___ Ductile Iron ___ Steel ___ PCCP ___ Plastic

Pipe Size: 3"

Repair Method: Clamp ___ Weld ___ Cut ___ Other

DETAILS:

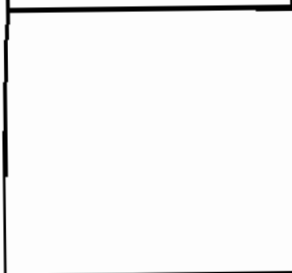
Form of Break: Circular ___ Longitudinal ___ Other

DETAILS:

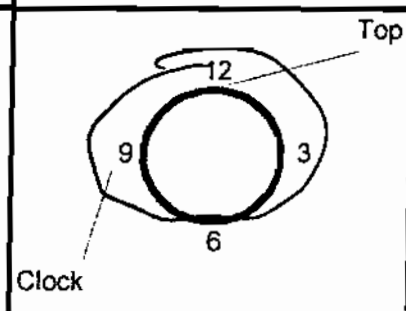
PHOTO AFTER REPAIRS:

Number of Pictures: _____

SKETCH OF SITE



TESTING VIEW



* BGC = blue/gray clay