

# HOWARD COUNTY: PIPE BREAKS - FIELD DATA

DAY: October 17, 2005  
 TIME: \_\_\_\_\_  
 TIME OF BREAK: \_\_\_\_\_  
 ENGINEER: \_\_\_\_\_

LOCATION: 9416 Third Street  
 GPS LOCATION: \_\_\_\_\_  
 \_\_\_\_\_

GPS: \_\_\_\_\_

**PHOTO BEFORE REPAIRS:**

Number of Pictures: \_\_\_\_\_

**SOIL CHEMISTRIES:**

REDOX		SOIL BOX RESISTIVITIES		pH	
(mV)		(Ohm-cm)		(mV)	
(mV)		(Ohm-cm)		(mV)	
Top of Pipe (12)		Top of Pipe (12)		Top of Pipe (12)	
Side of Pipe (3 / 9)		Side of Pipe (3 / 9)		Side of Pipe (3 / 9)	
Bottom of Pipe (6)		Bottom of Pipe (6)		Bottom of Pipe (6)	
				Actual Soil pH	

Soil Type:  Clay  Sand  Silt  Clay/sand  BGC\*  Other

DETAILS: Sandy loam gravel

Pipe Type:  Cast Iron  Ductile Iron  Steel  PCCP  Plastic

Pipe Size: \_\_\_\_\_

Repair Method:  Clamp  Weld  Cut  Other

DETAILS: \_\_\_\_\_

Form of Break:  Circular  Longitudinal  Other

DETAILS: \_\_\_\_\_

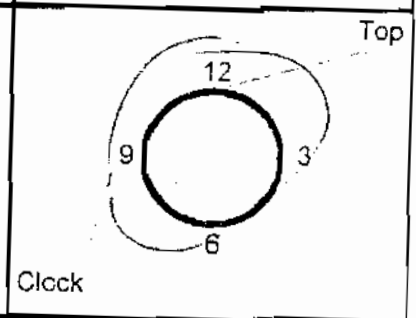
**PHOTO AFTER REPAIRS:**

Number of Pictures: \_\_\_\_\_

**SKETCH OF SITE**



**TESTING VIEW**



\* BGC = blue/gray clay