

HOWARD COUNTY: PIPE BREAKS - FIELD DATA

DAY: 12/15/2011
 TIME: _____
 TIME OF BREAK: 7:30
 ENGINEER: George Robison

LOCATION: _____
 GPS LOCATION: 9472 Killmanston Road

GPS: 410

PHOTO BEFORE REPAIRS:

Number of Pictures: _____

SOIL CHEMISTRIES:

REDOX		SOIL BOX RESISTIVITIES		pH	
(mV)		(Ohm-cm)		(mV)	
(mV)		(Ohm-cm)		(mV)	
Top of Pipe (12)		Top of Pipe (12)		Top of Pipe (12)	
Side of Pipe (3 / 9)		Side of Pipe (3 / 9)		Side of Pipe (3 / 9)	
Bottom of Pipe (6)		Bottom of Pipe (6)		Bottom of Pipe (6)	
				Actual Soil pH	

Soil Type: ___ Clay ___ Sand ___ Silt Clay/sand ___ BGC* ___ Other

DETAILS:

Pipe Type: Cast Iron ___ Ductile Iron ___ Steel ___ PCCP ___ Plastic

Pipe Size: 6"

Repair Method: Clamp ___ Weld ___ Cut ___ Other

DETAILS:

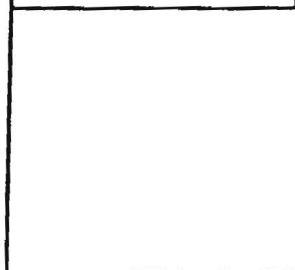
Form of Break: Circular ___ Longitudinal ___ Other

DETAILS:

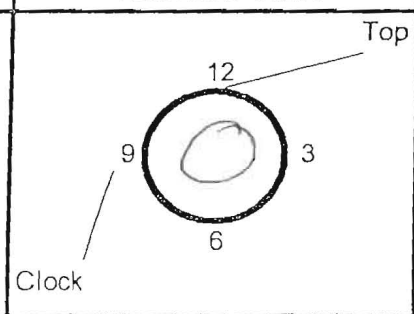
PHOTO AFTER REPAIRS:

Number of Pictures: _____

SKETCH OF SITE



TESTING VIEW



* BGC = blue/gray clay