

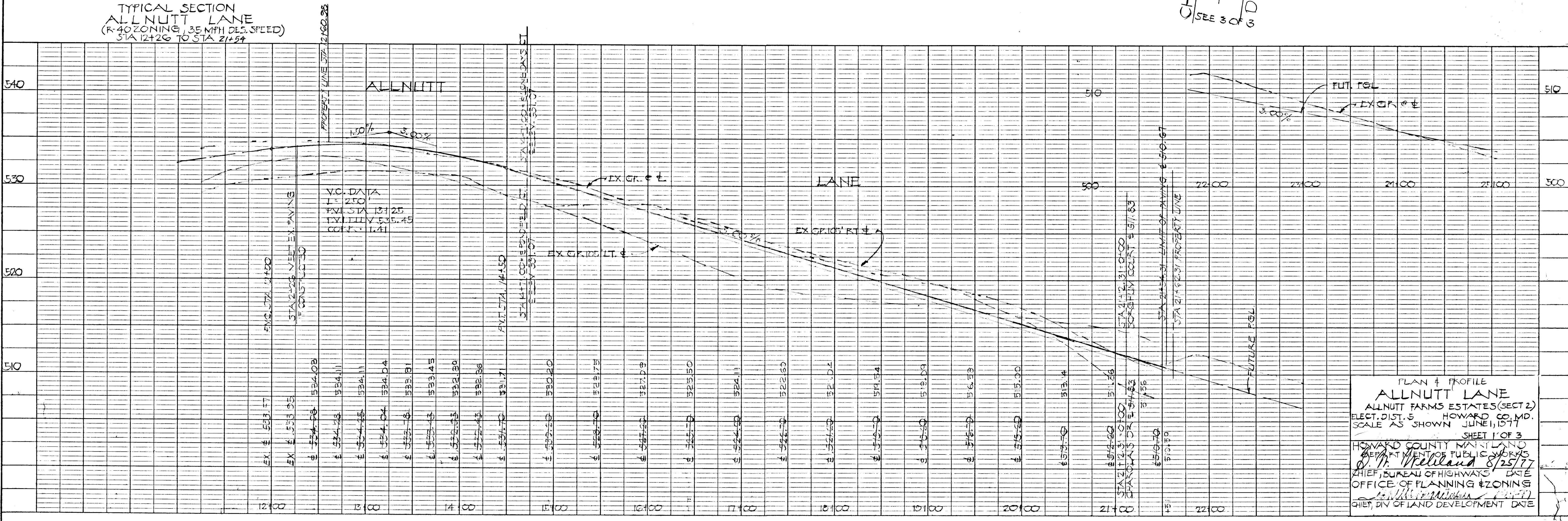
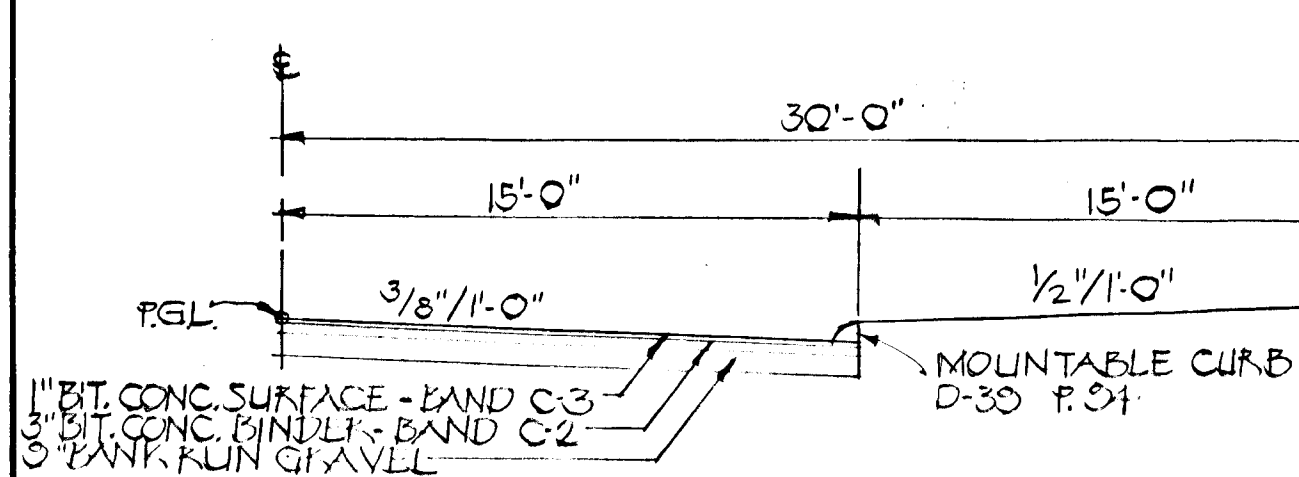
STRUCTURE SCHEDULE					
NO	TYPE	INV IN	INV OUT	REMARKS	
I-1	A-5 W/DEFLECTORS	-	511.50	517.00	UGIA P110A
I-2	A-5	-	508.95	512.33	"
I-3	A-5 W/DEFLECTORS	-	509.45	514.05	"
I-4	A-5	-	508.48	508.30	"
M-1	STD MANHOLE	507.01	506.76	512.00	D103 P158
M-2	STD MANHOLE	504.85	501.60	500.20	D103 P158
S-1	C ENDWALL	-	496.76	499.01	D32 P107
S-2	C ENDWALL	-	502.60	501.83	D32 P107
I-5	A-10	508.76	508.56	513.17	UGIA P110A
I-6	A-10	-	509.57	513.47	UGIA P110A
M-3	STD MANHOLE	506.67	506.47	510.10	D103 P158
S-3	END SUPPORT WALL	-	502.10	508.14	D46 P101

SEE SHEET 3 FOR DEFLECTOR DETAIL

DATE	BY
DATE	BY
DATE	BY

PLANNED	SURVEYED
NOTE BOOK	ALIGNED
NO.	NO.

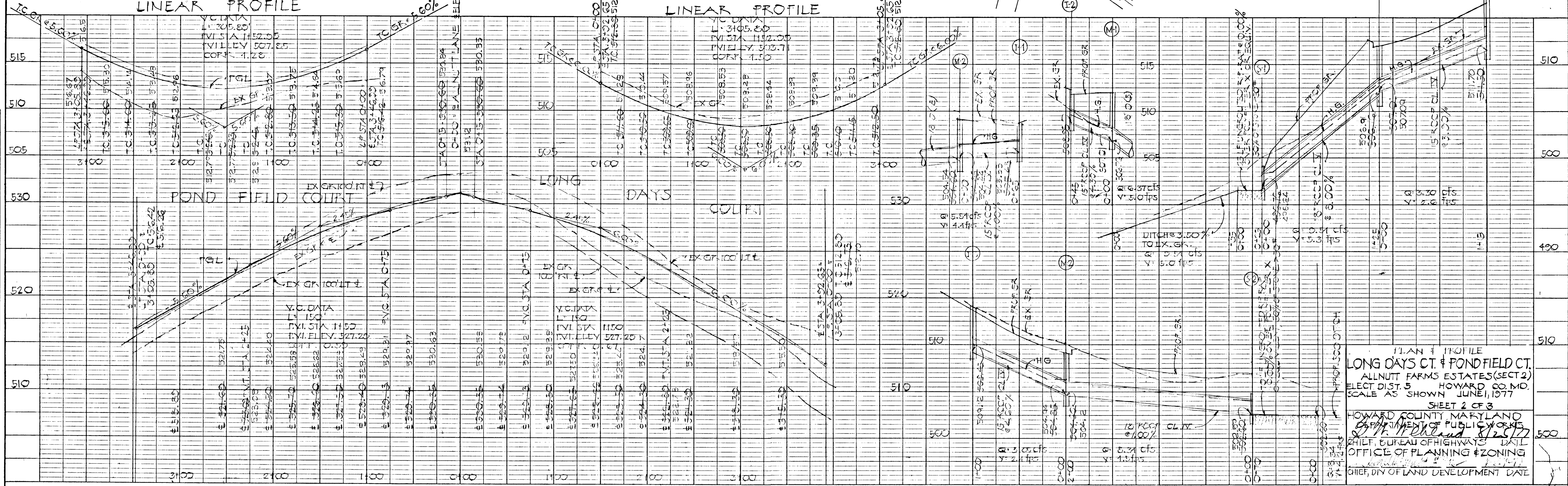
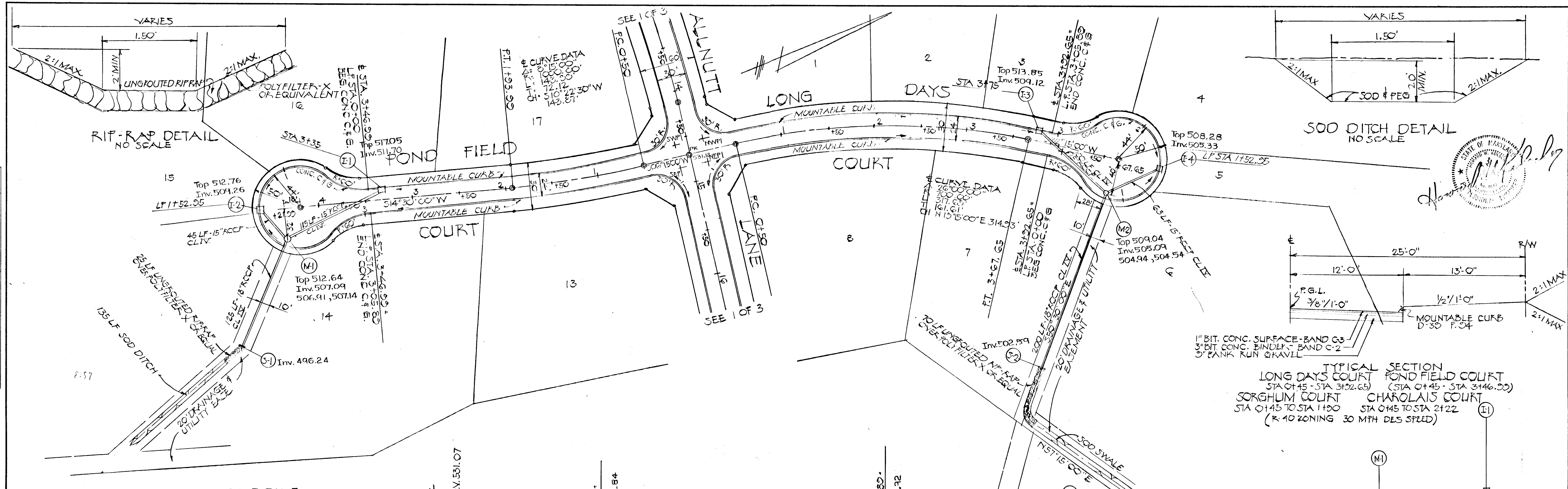
- NOTES**
- DESIGN SPEEDS
ALLNUTT LANE 35 MPH SORGHUM CT. & CHAROLAIS DR 30 MPH
POND FIELD CT, LONG DAYS CT
 - BASE WILL BE FINISHED IN ACCORDANCE WITH SECTION C-3C-3
AS PROVIDED IN THE HOWARD CO. ROAD CONSTRUCTION CODE &
STANDARD SPECIFICATIONS
 - TRACK CORNERS TO BE CONSTRUCTED IN ACCORDANCE WITH SECTION C-31-4
STANDARD SPECIFICATIONS



PLAN & PROFILE
ALLNUTT LANE
ALLNUTT FARMS ESTATES (SECT 2)
ELECT. DIST. 5 HOWARD CO. MD.
SCALE AS SHOWN JUNE 1, 1977
SHEET 1 OF 3
HOWARD COUNTY MAINTENANCE
DEPARTMENT OF PUBLIC WORKS
G. W. McIlwain 6/25/77
CHIEF, BUREAU OF HIGHWAYS DATE
OFFICE OF PLANNING & ZONING
G. W. McIlwain 6/25/77
CHIEF, DIV OF LAND DEVELOPMENT DATE

PLAN	SURVEYED	DATE
	PLOTTED	BY
	CHECKED	
	BY	
	NO.	

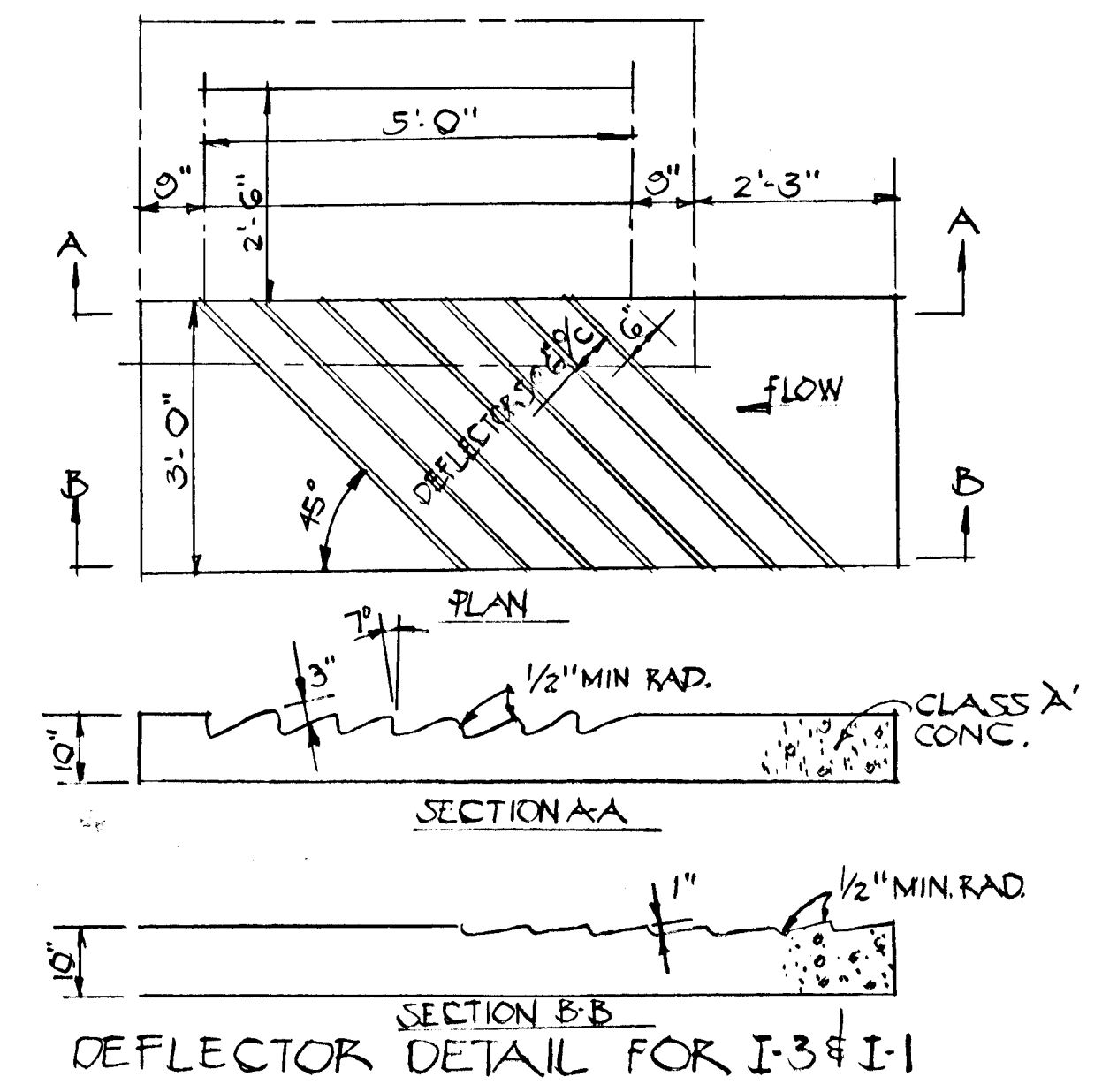
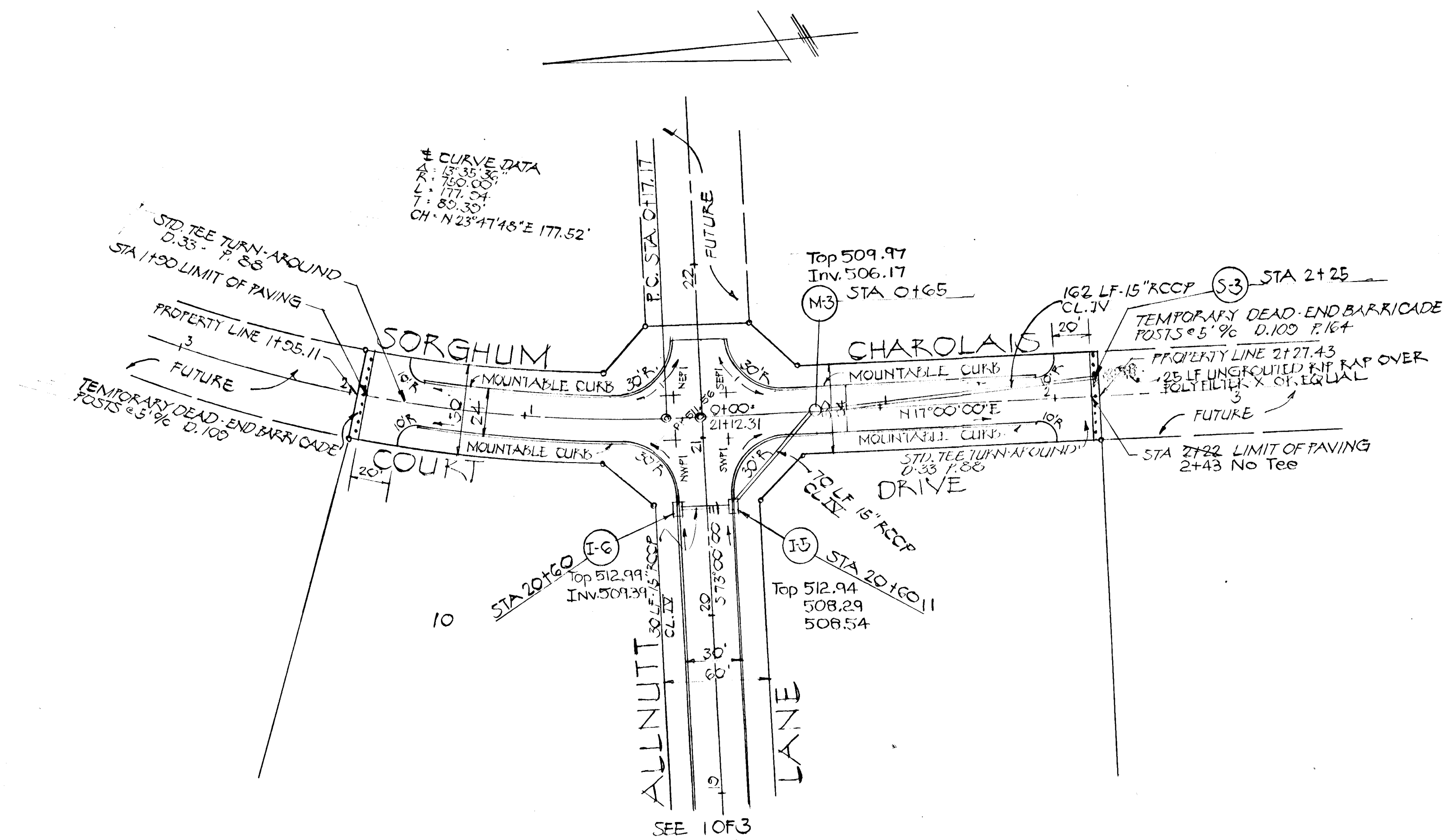
PROFILE	SURVEYED	DATE
	PLOTTED	BY
	CHECKED	
	BY	
	NO.	



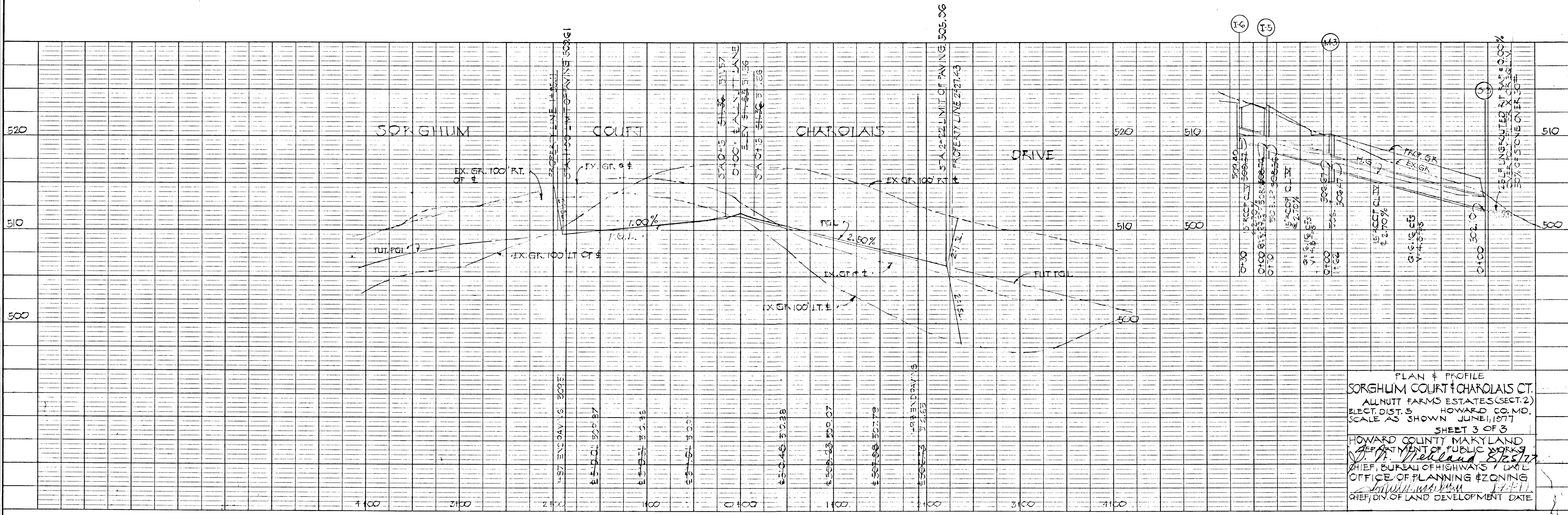
11. AN & PROFILE
 LONG DAYS CT. & POND FIELD CT.
 ALLNUTT FARMS ESTATES (SECT 2)
 ELECT. DIST. 5 HOWARD CO. MD.
 SCALE AS SHOWN JUNE 11, 1977
 SHEET 2 OF 3
 HOWARD COUNTY MARYLAND
 DEPARTMENT OF PUBLIC WORKS
 R. H. HENNING
 CHIEF, BUREAU OF HIGHWAYS & DIAL
 OFFICE OF PLANNING & ZONING
 CHIEF, DIV. OF LAND DEVELOPMENT DATE

DATE: _____ BY: _____
 CHECKED: _____
 A. GARNETT CHECKED
 RT. OF WAY CHECKED
 NO. _____

DATE: _____ BY: _____
 CHECKED: _____
 B. M. NOTED
 BRIDGE/ENCLOSURE/NO. _____



STATE OF MARYLAND
 PROFESSIONAL ENGINEER
 Howard County
 [Signature]



PLAN & PROFILE
 SORGHUM COURT & CHAROLAIS CT.
 ALLNUTT FARMS ESTATES (SECT. 2)
 ELECT. DIST. 5 HOWARD CO. MD.
 SCALE AS SHOWN JUNE 11, 1977
 SHEET 3 OF 3
 HOWARD COUNTY MARYLAND
 DEPARTMENT OF PUBLIC WORKS
 [Signature]
 CHIEF, BUREAU OF HIGHWAYS / DATE
 OFFICE OF PLANNING & ZONING
 [Signature]
 CHIEF, DIV. OF LAND DEVELOPMENT DATE