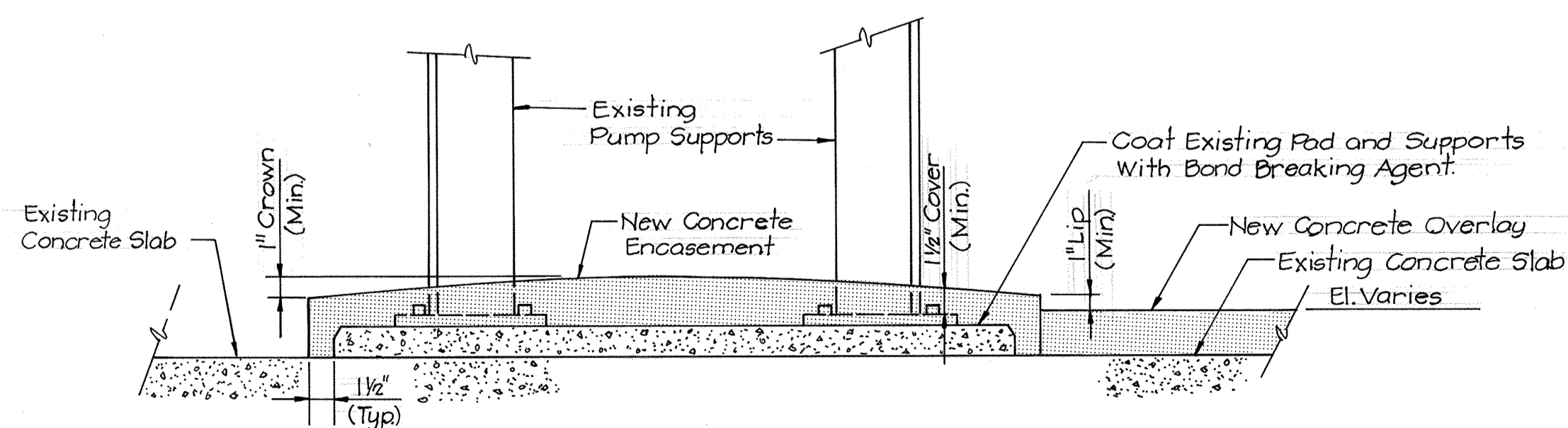


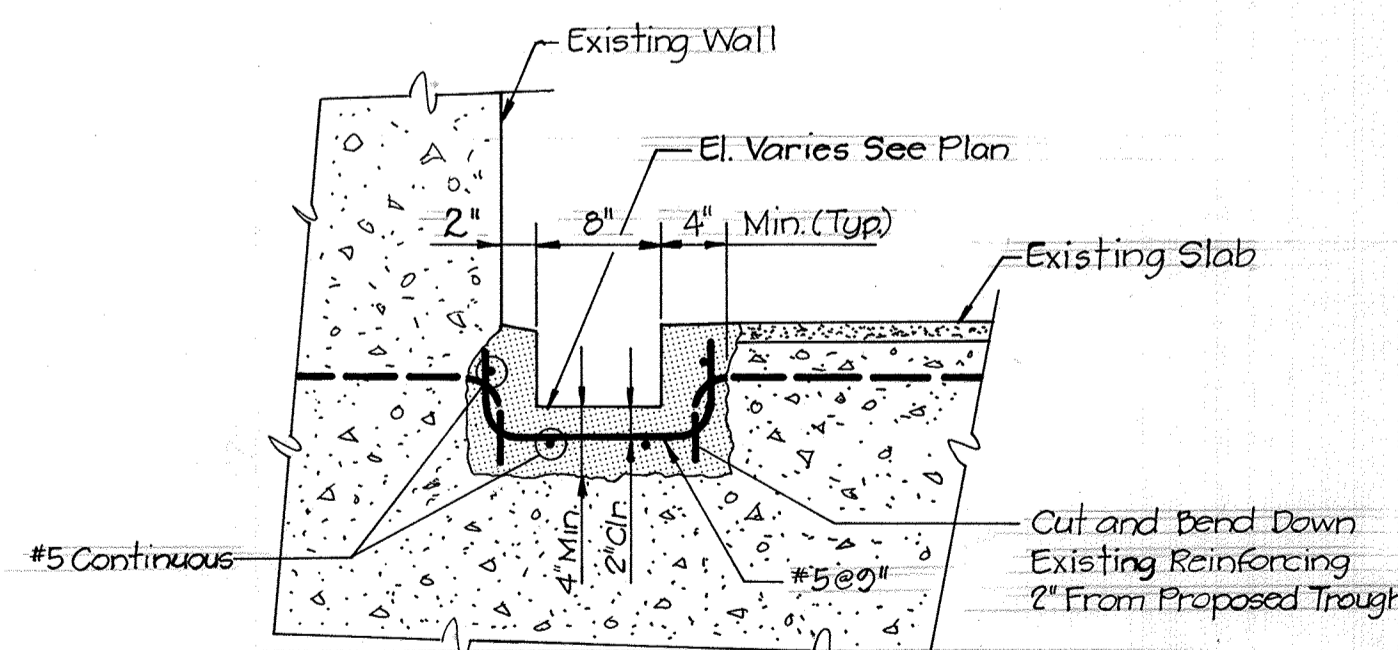
**MAIN PUMPING STATION DRY WELL PLAN**  
Scale: 1/2"=1'-0"

Areas Shown Thus Indicate New Concrete Work.

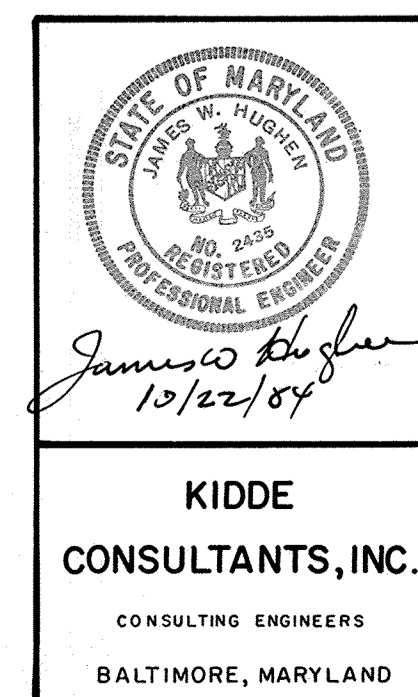
Existing 6" Drain Line in Area of New Trough, and Miscellaneous Instrumentation Panel Supports in the Areas to Receive Concrete Topping Will be Removed by the Owner Before the Contractor Starts Work in the Area.



**SECTION A-A**  
No Scale



**SECTION B-B**  
Scale: 1"=1'-0"



APPROVED: CHIEF, BUREAU OF ENGINEERING

DATE

APPROVED: DIRECTOR, DEPARTMENT OF PUBLIC WORKS

DATE

REVISIONS

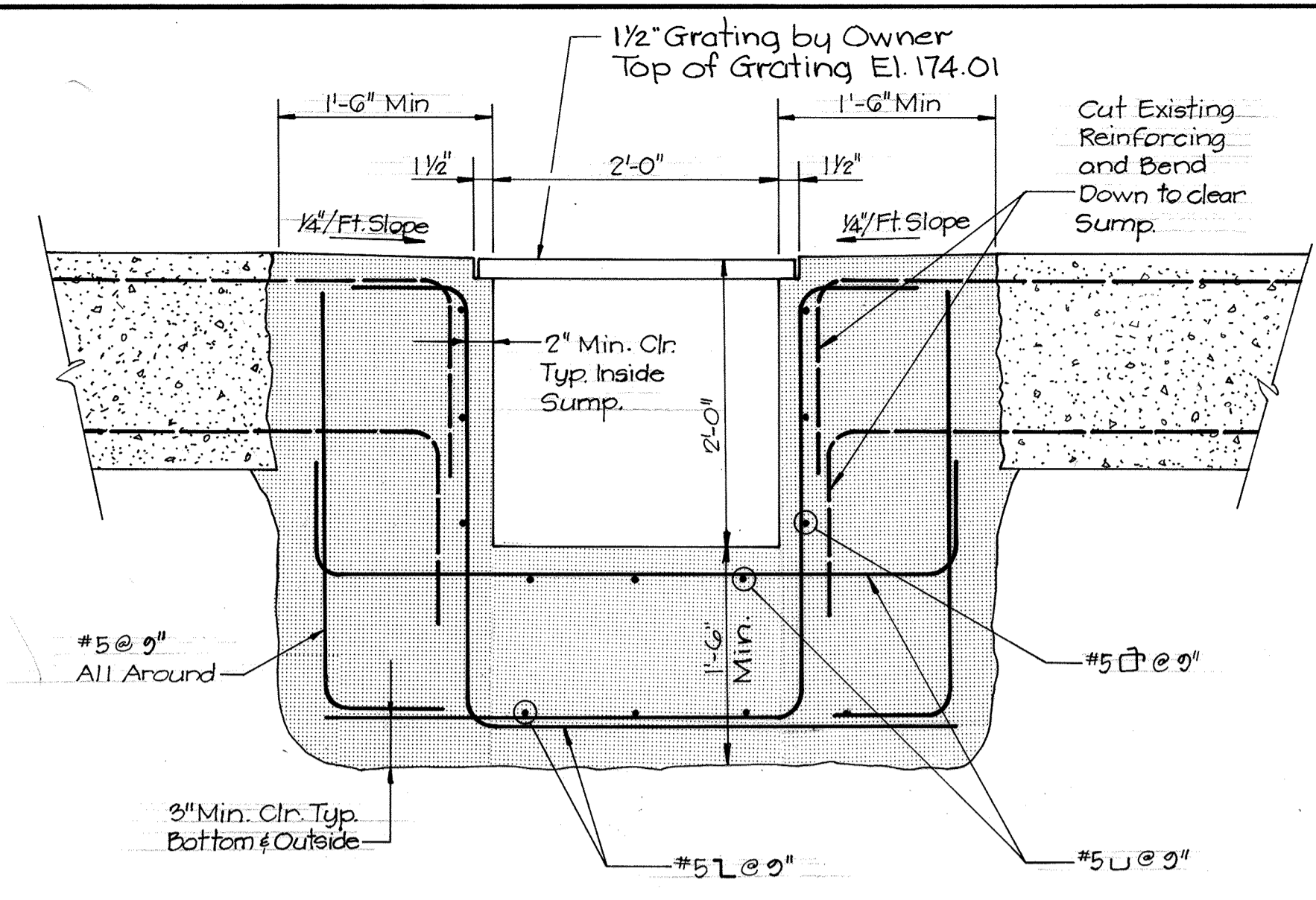
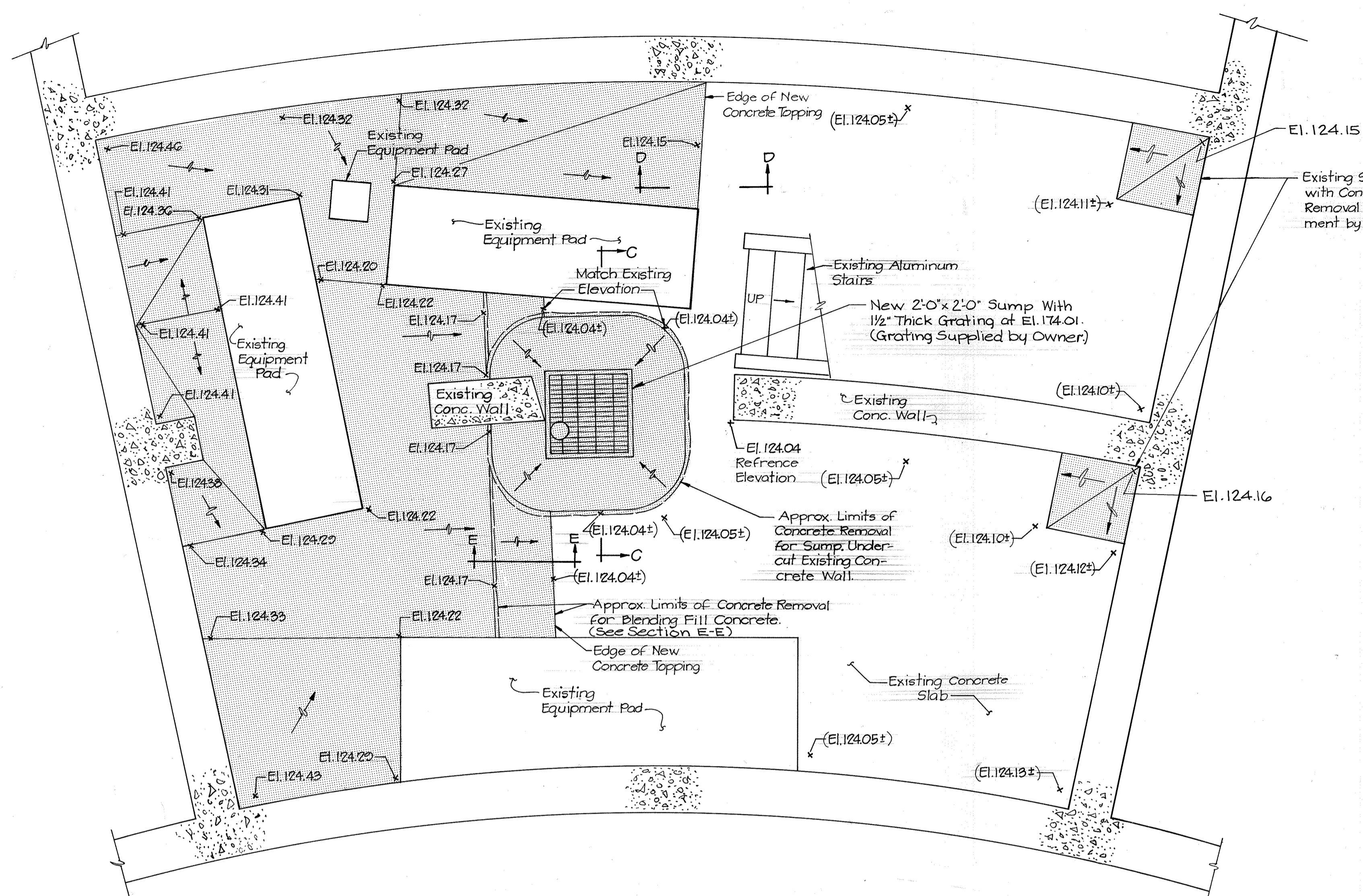
**HOWARD COUNTY, MARYLAND**  
**DEPARTMENT OF PUBLIC WORKS**  
**BUREAU OF ENGINEERING**  
LITTLE PATUXENT  
WASTEWATER TREATMENT PLANT  
CONCRETE FLOOR  
MODIFICATIONS AND OVERLAYS

SCALE: AS SHOWN DATE: \_\_\_\_\_ CONTRACT: \_\_\_\_\_

DESIGNED BY: T.S.A.  
DRAWN BY: G.J.J.  
CHECKED BY: T.S.A.

SHEET NO. 1 OF 2

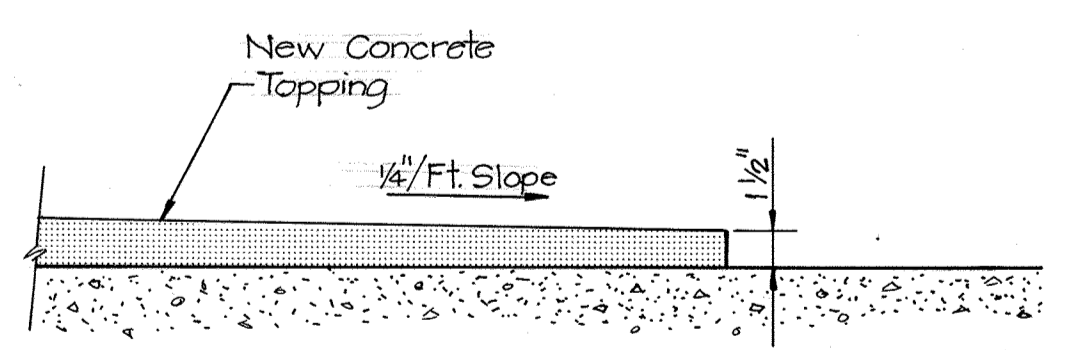
01-83/293



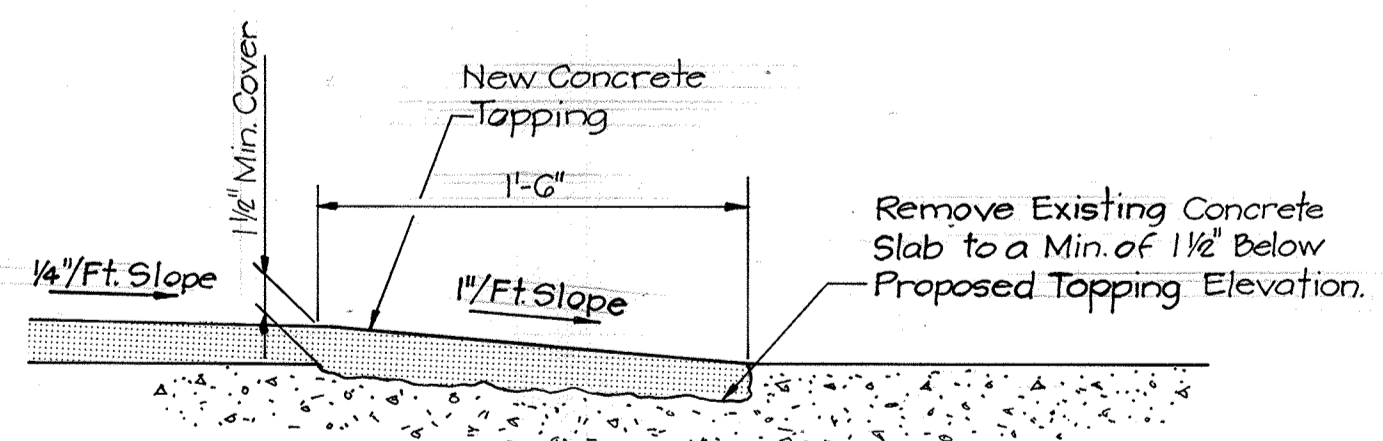
**SECTION C-C**  
Scale: 1"=1'-0"

**PURIFAX BUILDING  
PUMP ROOM PLAN**  
Scale: 1/2"=1'-0"

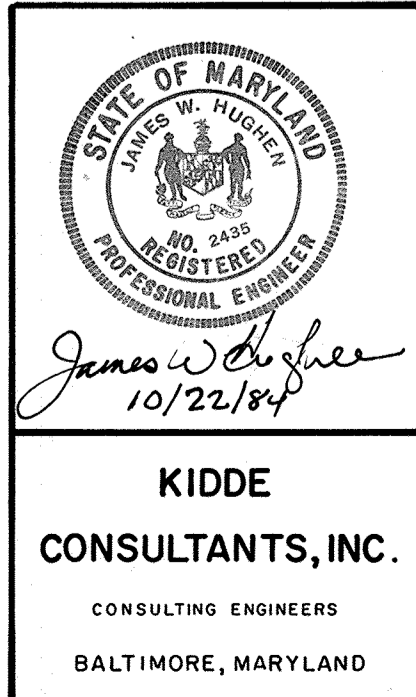
Areas Shown Thus Indicate new Concrete Work.  
Elevations Shown in Parenthesis Indicate Approximate Elevations of the Existing Concrete Slab.



**SECTION D-D**  
Scale: 1"=1'-0"



**SECTION E-E**  
Scale: 1"=1'-0"



APPROVED:  
CHIEF, BUREAU OF ENGINEERING  
DATE \_\_\_\_\_

APPROVED:  
DIRECTOR, DEPARTMENT OF PUBLIC WORKS  
DATE \_\_\_\_\_

REVISIONS

**HOWARD COUNTY, MARYLAND  
DEPARTMENT OF PUBLIC WORKS  
BUREAU OF ENGINEERING**

LITTLE PATUXENT  
WASTEWATER TREATMENT PLANT  
CONCRETE FLOOR  
MODIFICATIONS AND OVERLAYS

SCALE: AS SHOWN DATE: \_\_\_\_\_ CONTRACT: \_\_\_\_\_

DESIGNED BY: T.S.A.  
DRAWN BY: G.J.J.  
CHECKED BY: T.S.A.

SHEET NO. 2 OF 2

01-831295