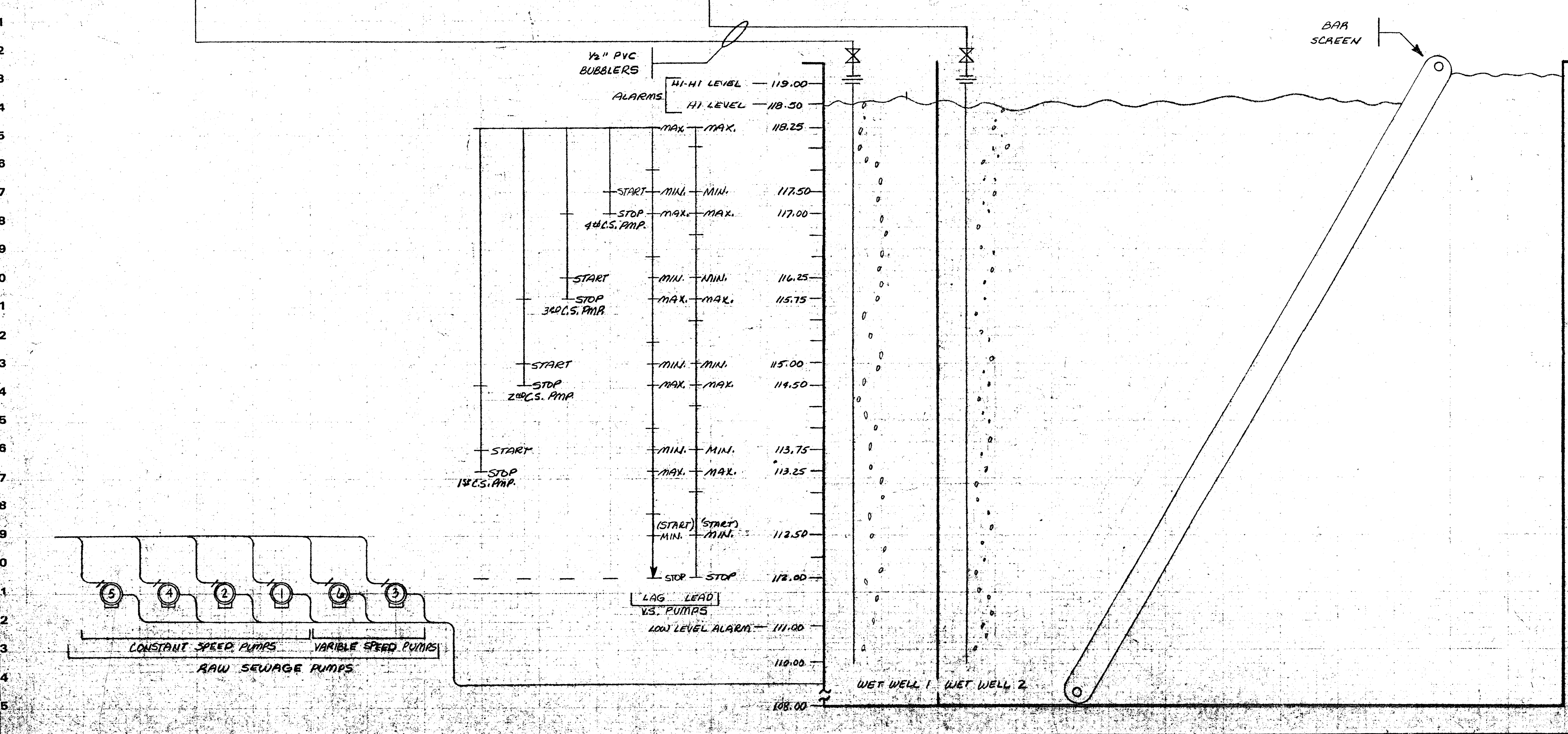


| MODIFICATIONS | |
|---------------|--|
| A. DELETED | 1. PRESSURE SWITCHES (BUBBLE TROL. STEPS) |
| | 2. MERCID PG-3 DIFFERENTIAL PRESSURE SWITCH. |
| B. ADDED | 1. 2-VIATRAN PRESSURE TRANSDUCER (4-20MA DC OUTPUT). |
| | 2. BUBBLER TUBE |
| | 3. ... |
| | 4. 2 WAY SOLENOID VALVE |
| | 5. 3WAY SOLENOID VALVE |
| | 6. FILTER PRV (AIR) |
| | 7. AIR FLOW REGULATOR |
| | 8. VALVES & BULKHEAD FITTING. |
| C. MODIFIED | 1. BUBBLER PIPING. |



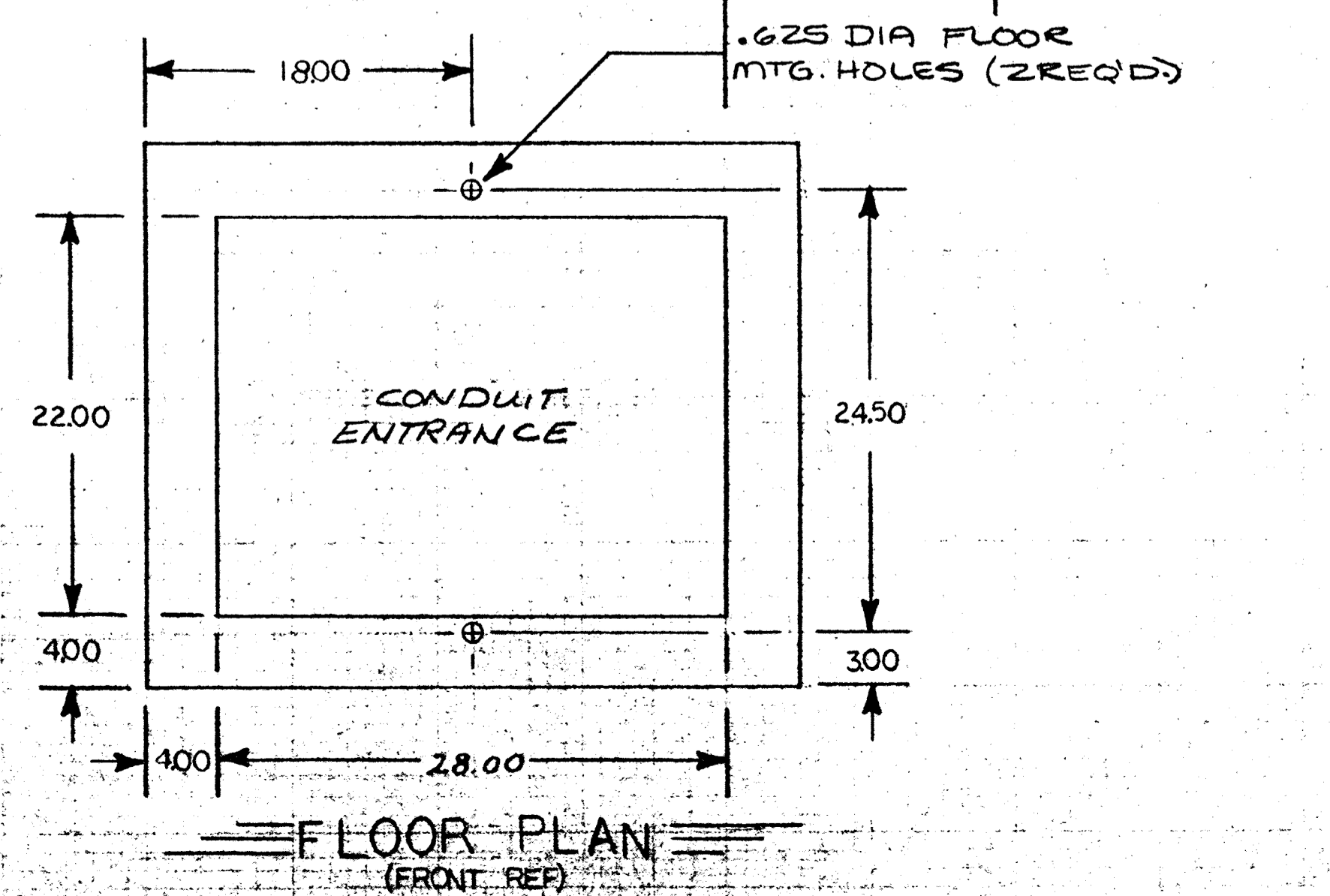
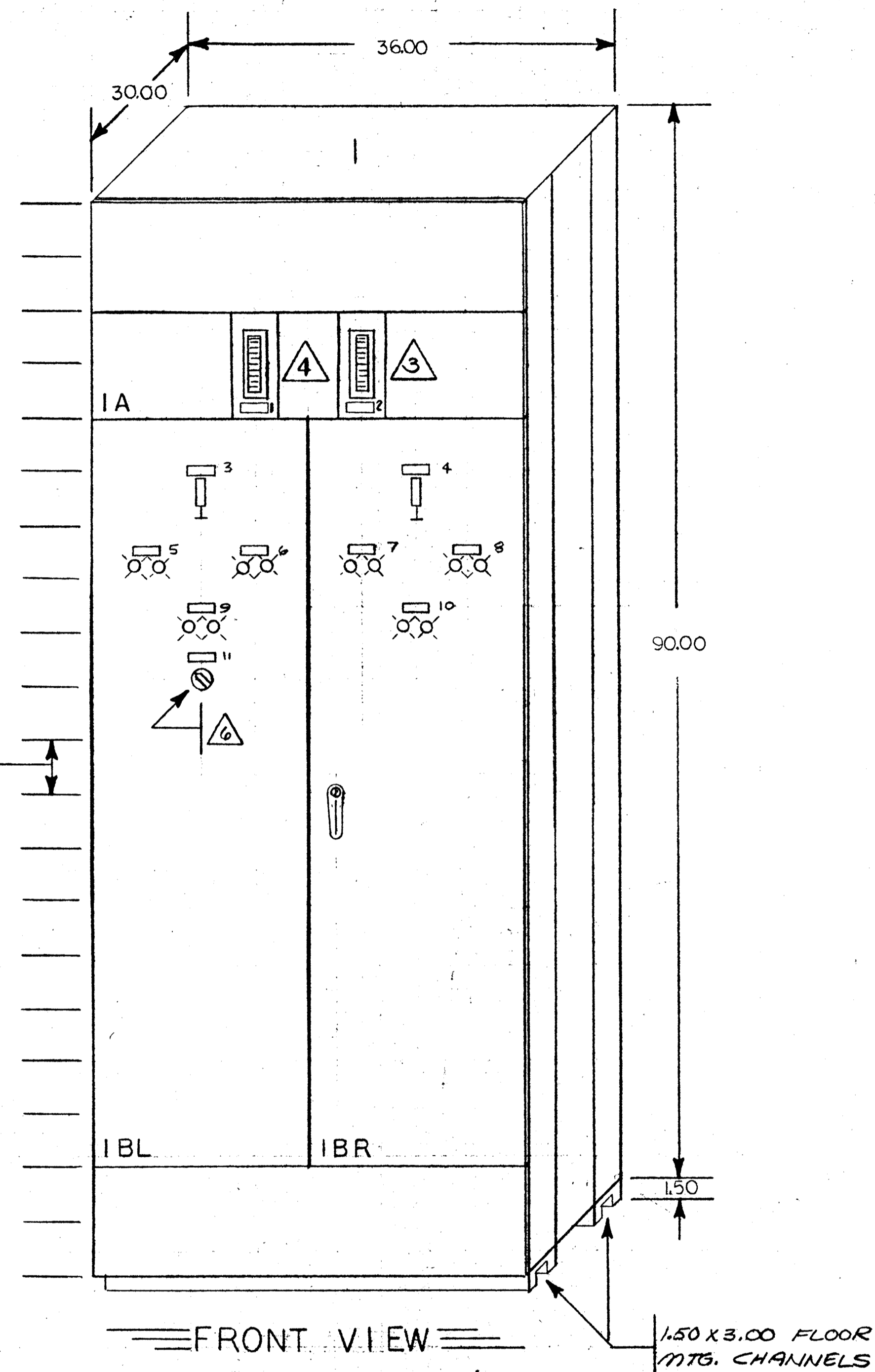
NOTES:

- A. BUBBLER SHUTOFF TEST VALVES, PRINT RED & TAG VALVE TO BE FULL OPEN EXCEPT FOR TEST
- B. VIATRAN #501 TRANSDUCER
- C. REDRAWN FROM DWG. D17326 FM-9 (D127663-4)

| REV. | DESCRIPTION | DATE |
|------|---------------------|----------|
| E | REV. FIELD MOD. | 10-13-81 |
| D | FINAL AS BUILT | 5-9-81 |
| C | PER. CUST. APPROVAL | 4/3/81 |
| B | PER. RESUBMITTAL | 10/1/80 |
| A | EDWIN PERKINS, INC. | 11/2/80 |

REVISIONS

| | | |
|--------------------------------------|-----------------------|--------------------------|
| DIMENSIONS IN INCHES DO NOT SCALE | DATE: 11/2/80 | AUTOCON INDUSTRIES, INC. |
| TOLERANCE UNLESS OTHERWISE SPECIFIED | SCALE: 1" = 10' | |
| PROJECT: SAVAGE S.T.P. | CITY: HAWAII COUNTY | TITLE: HYDRAULIC LAYOUT |
| SCALE: 1" = 10' | DWG. NO.: D173623-1-1 | DATE: 11/2/80 |



| NP NO. | NAME PLATE DESIGNATIONS | NO. REQD. | PART NO. |
|--------|-------------------------|-----------|----------|
| 1 | WET WELL | 1 | W6 |
| | LEVEL | | |
| 2 | CMAT | 1 | |
| | CONTROLLER | | |
| 3 | CONTROL POWER | 1 | C9 |
| 4 | DUPLEX OUTLETS | 1 | |
| 5 | CONSTANT SPEED PUMP 1 | 1 | |
| | OFF ON | | |
| 6 | CONSTANT SPEED PUMP 2 | 1 | |
| | OFF ON | | |
| 7 | CONSTANT SPEED PUMP 3 | 1 | |
| | OFF ON | | |
| 8 | CONSTANT SPEED PUMP 4 | 1 | |
| | OFF ON | | |
| 9 | CONSTANT SPEED PUMP 5 | 1 | |
| | OFF ON | | |
| 10 | VARIABLE SPEED PUMP 3 | 1 | |
| | OFF ON | | |
| 11 | VARIABLE SPEED PUMP 6 | 1 | |
| | OFF ON | | |
| 12 | WET WELL | 1 | |
| | LEVEL | | |
| | No. 1 | No. 2 | |

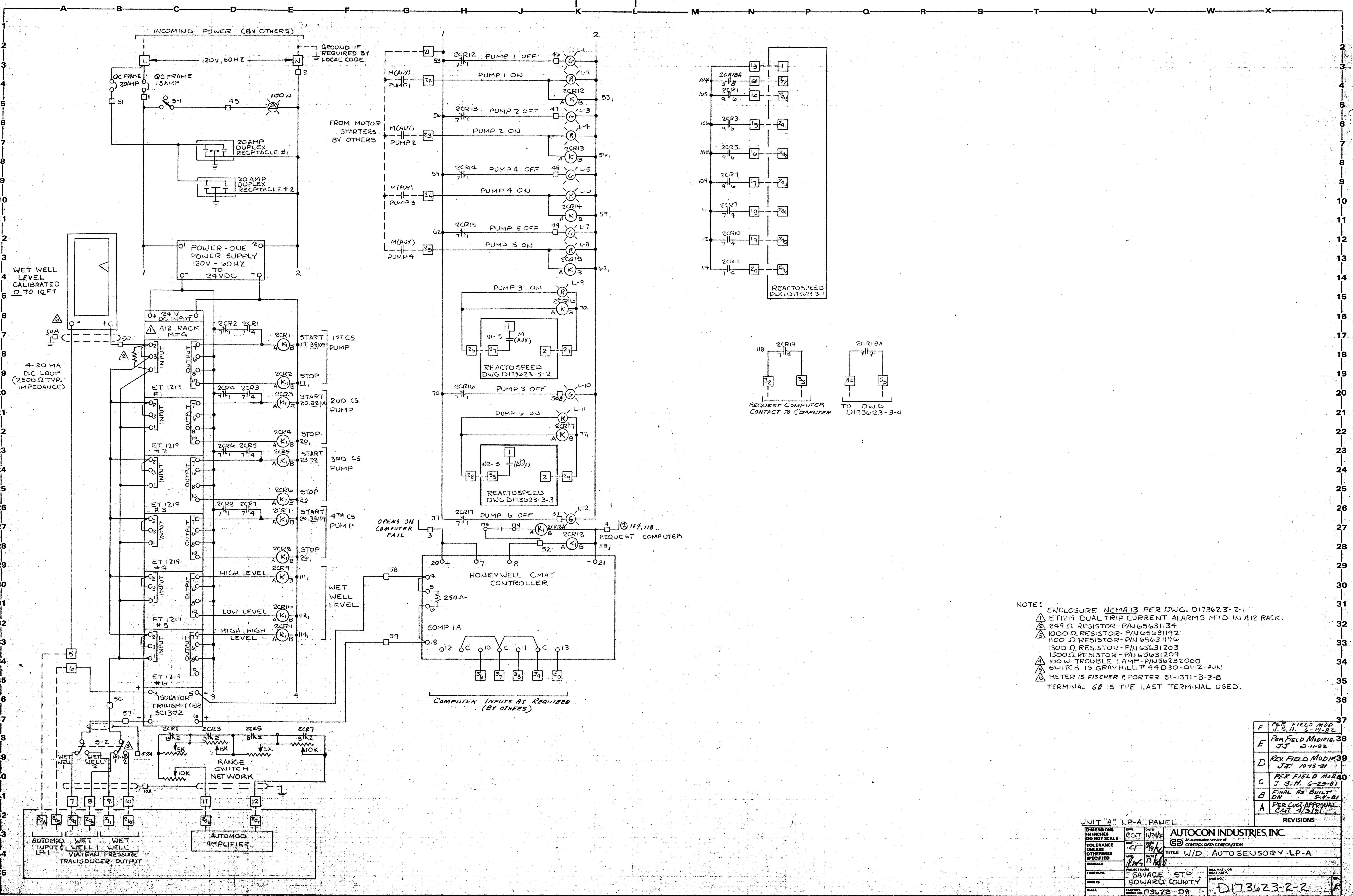
NOTES:

- 1 ENCLOSURE: NEMA 13 W/10 GA. DOORS & 3 PT. LATCH LOCKING HANDLE.
- 2 FINISH: SPECIAL EPOXY PAINT-PRATT & LAMBERT PALGARD (2 COMPONENT EPOXY)
- 3 MPLS. HONEYWELL CMAT CONTROLLER.
- 4 FISCHER & PORTER MODEL 51-1371 METER W/SLIDE OUT CASE SUITABLE FOR GROUP MTG.
- 5 ALL CUTOUTS SMOOTHLY FINISHED.
- 6 SWITCH IS GRAYHILL #44D30-01-2-A1A

| REVISIONS | DESCRIPTION |
|-----------|-------------------------------|
| C | FINAL AS BUILT DN 5-4-81 |
| B | PER CUST. APPROVAL CGT 4/3/81 |
| A | PER RESUBMITTAL DN 2-16-81 |

UNIT "A" LP-A PANEL

| | | |
|--------------------------------------|----------------------|---|
| DIMENSIONS IN INCHES DO NOT SCALE | DATE 7/19/80 | AUTOCON INDUSTRIES, INC. |
| TOLERANCE UNLESS OTHERWISE SPECIFIED | BY JPH/SD | AN AUTOMATION SERVICE OF CONTROL DATA CORPORATION |
| DRAWN BY KMS | DATE 7/19/80 | TITLE ENCLOSURE LAYOUT & NAME PLATE DETAILS |
| PROJECT NAME SAVAGE S.T.P. | SHEET NO. 173623-DAB | DWG NO. D173623-2-1 |
| LOCATION HOWARD COUNTY | | REV. C |

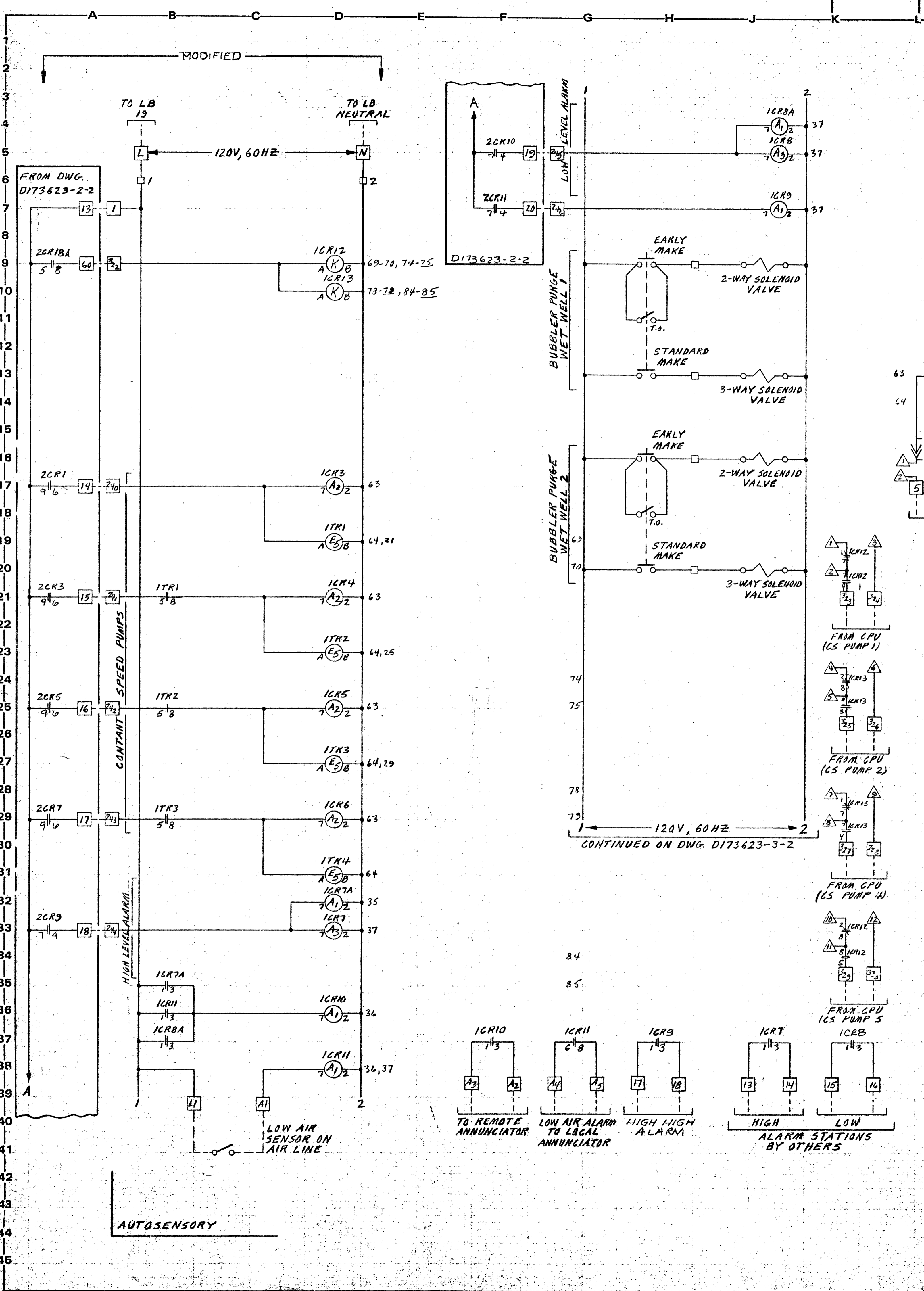


NOTE:
 ENCLOSURE NEMA 13 PER DWG. D173623-2-1
 ▲ ET1219 DUAL TRIP CURRENT ALARMS MTD. IN A12 RACK.
 ▲ 249 Ω RESISTOR - P/N 65631134
 ▲ 1000 Ω RESISTOR - P/N 65631192
 ▲ 100 Ω RESISTOR - P/N 65631196
 ▲ 1300 Ω RESISTOR - P/N 65631203
 ▲ 1500 Ω RESISTOR - P/N 65631209
 ▲ 100 W. TROUBLE LAMP - P/N 56232000
 ▲ SWITCH IS GRAYHILL # 44D30-01-2-AJN
 ▲ METER IS FISCHER & PORTER 51-1371-B-B-B
 TERMINAL 60 IS THE LAST TERMINAL USED.

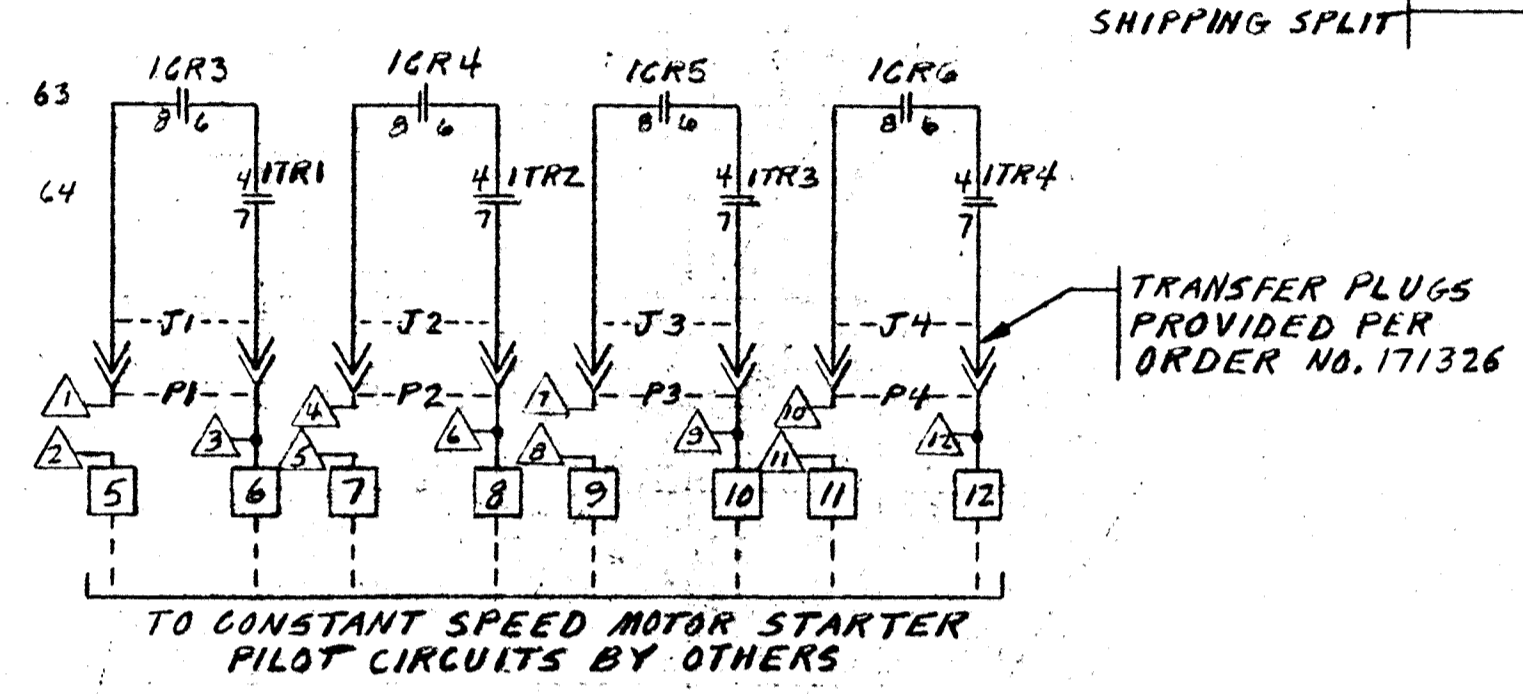
| REVISIONS | DATE | BY | DESCRIPTION |
|-----------|--------------------|----------|-------------|
| F | PER FIELD MOD | J. B. H. | 6-14-82 |
| E | PER FIELD MODIFIC. | J.T. | 2-11-82 |
| D | REV. FIELD MODIF. | J.T. | 10-13-81 |
| C | PER FIELD MOD | J. B. H. | 6-23-81 |
| B | FINAL AS BUILT | D.W. | 2-4-81 |
| A | PER CUST. APPROVAL | CLT | 4/5/81 |

UNIT "A" LP-A PANEL

| | | |
|--------------------------------------|------------------------------|---|
| DIMENSIONS IN INCHES DO NOT SCALE | DATE 11/24/80 | AUTOCON INDUSTRIES, INC. an automation service of CONTROL DATA CORPORATION |
| TOLERANCE UNLESS OTHERWISE SPECIFIED | DESIGNER J. B. H. | |
| DRAWN R. B. H. | TITLE W/D AUTOSENSORY LP-A | |
| PROJECT NAME SAVAGE STP | HOWARD COUNTY | BILL MATL. ON BEST ASSY. |
| SCALE | FACILITY ORDER NO. 173623-08 | D173623-2-2 |

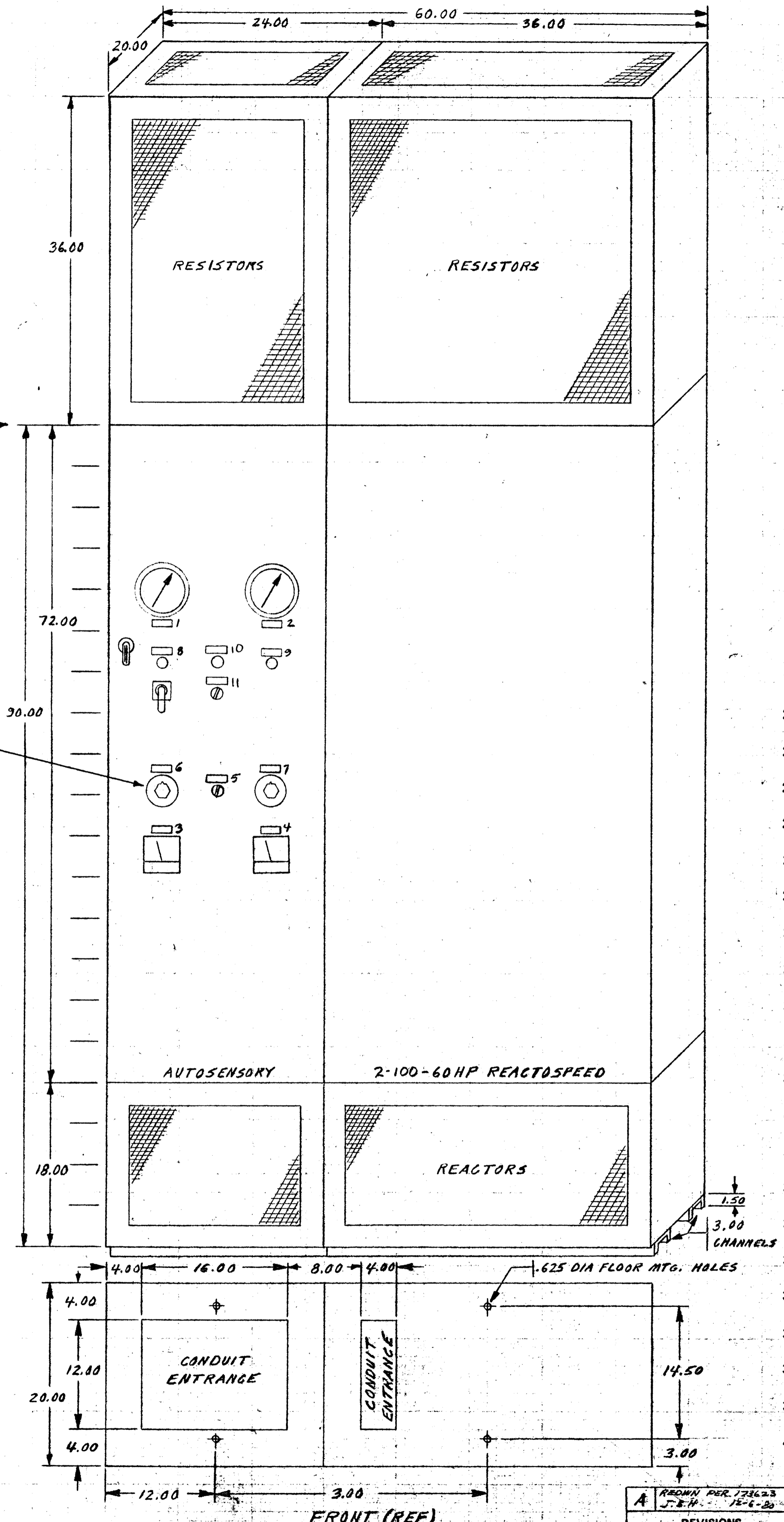


- NOTES:
1. ENCLOSURE: NEMA 1, 12 GA CRS CONSTRUCTION
 2. FINISH: ASA 61 LIGHT GRAY
 3. FRONT ACCESS ONLY
 4. INCOMING CABLES & OUTGOING LOAD WIRES AT BOTTOM OF ENCLOSURE
 5. HYDRAULIC LAYOUT PER DWG. D173623-1
 6. REDRAWN FROM DWGS. D127668-1 & D171326-FM-1



| N.P. NO. | NAMEPLATE DESIGNATIONS | NO. | PART NO. |
|----------|----------------------------|-----|----------|
| 1 | WET WELL LEVEL | 1 | |
| | NO. 1 | | |
| 2 | WET WELL LEVEL | 1 | |
| | NO. 2 | | |
| 3 | PUMP 3 | 1 | |
| | SPEED | | |
| 4 | PUMP 6 | 1 | |
| | SPEED | | |
| 5 | COMPUTER AND AUTO OVERRIDE | 1 | |
| | ON OFF | | |
| 6 | PUMP 3 | 1 | PI0 |
| 7 | PUMP 6 | 1 | PI3 |
| 8 | WET WELL NO. 1 | | |
| | PURGE | | |
| 9 | WET WELL NO. 2 | | |
| | PURGE | | |
| 10 | HIGH WATER ALARM | 1 | |
| | ACKNOWLEDGE | | |
| 11 | PUMP 3-6 | 1 | 6-3 |

MANUAL POTS HAVE CIRCULAR NAMEPLATES "MANUAL SPEED CONTROL" SEE DWG. #56049200

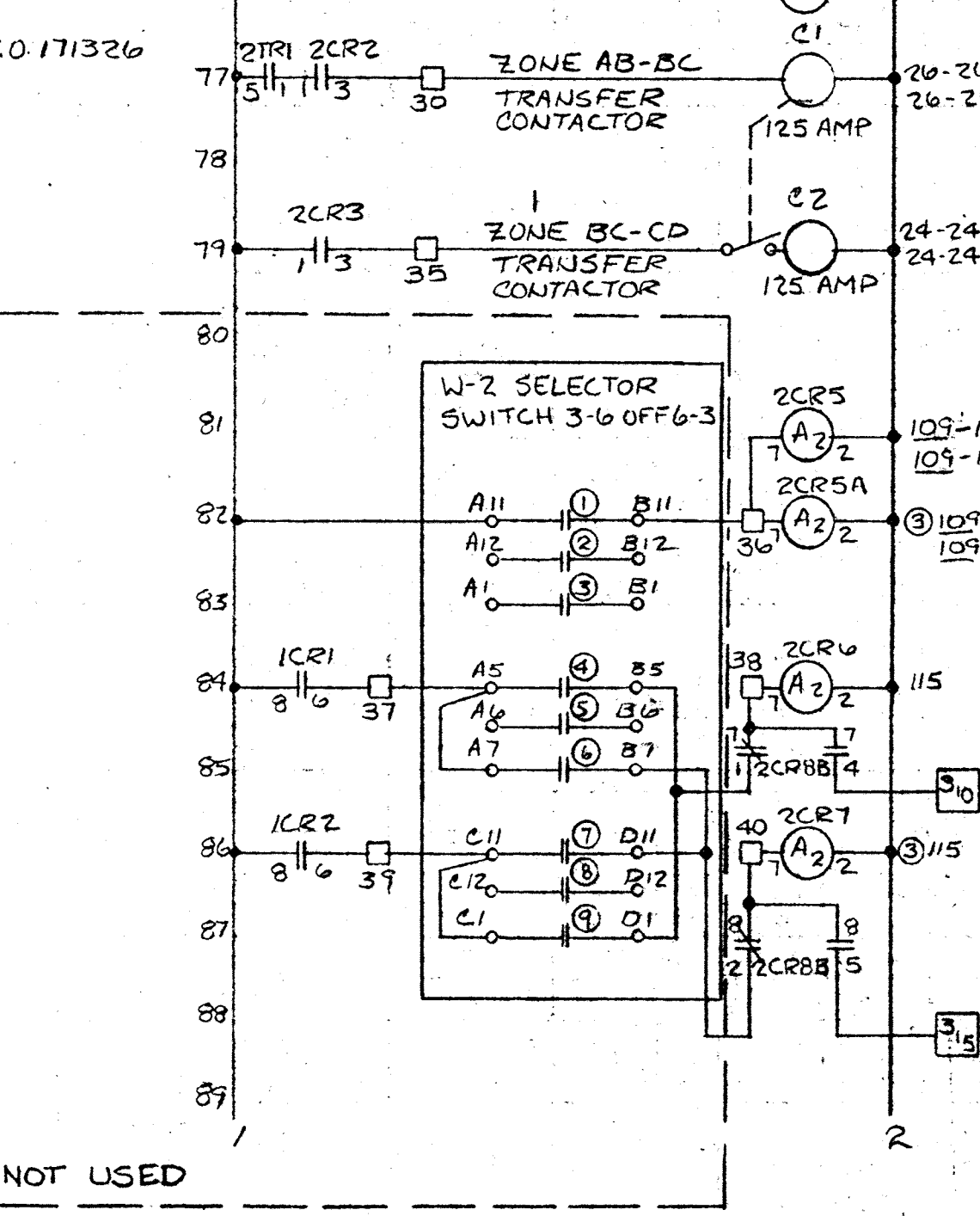
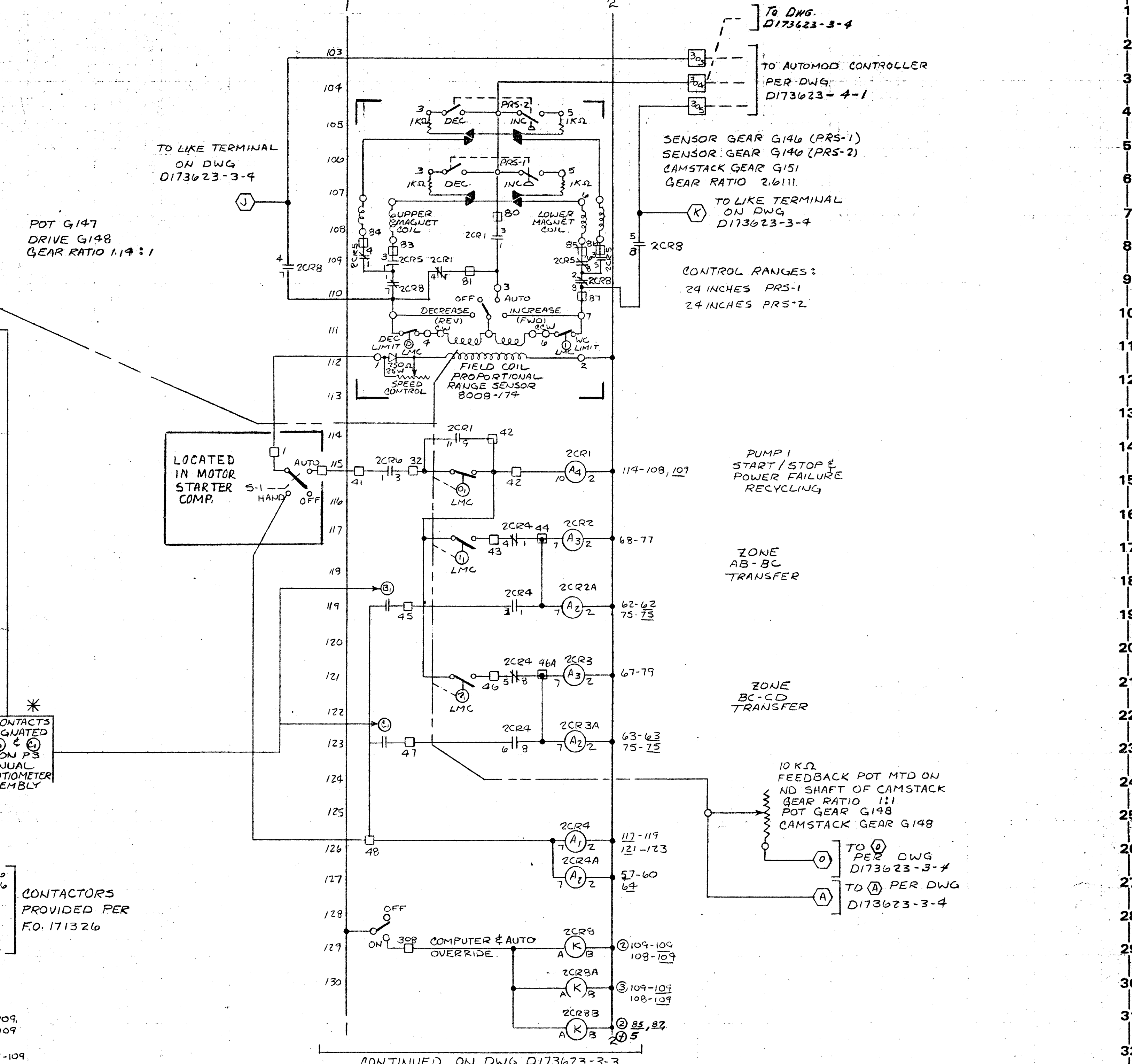
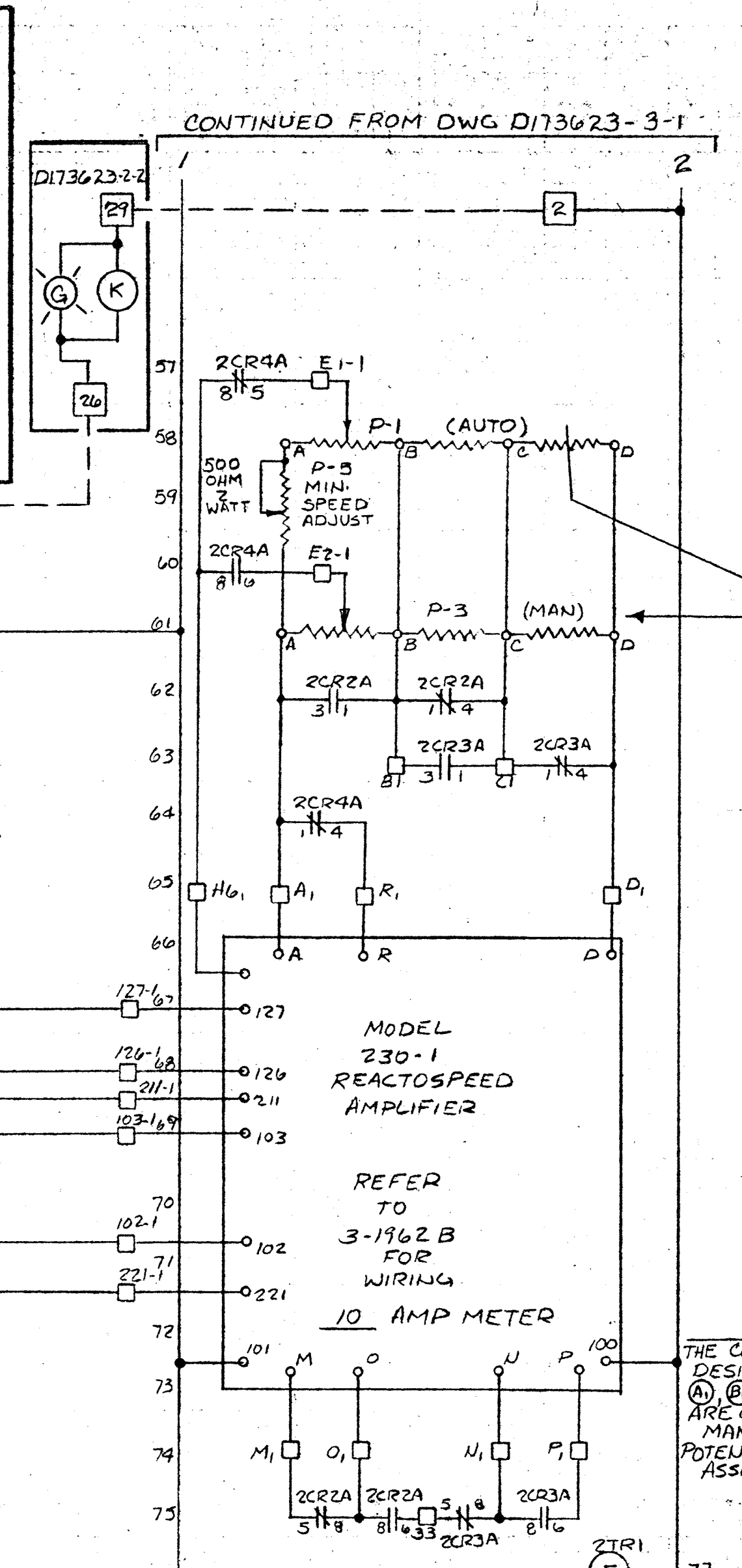
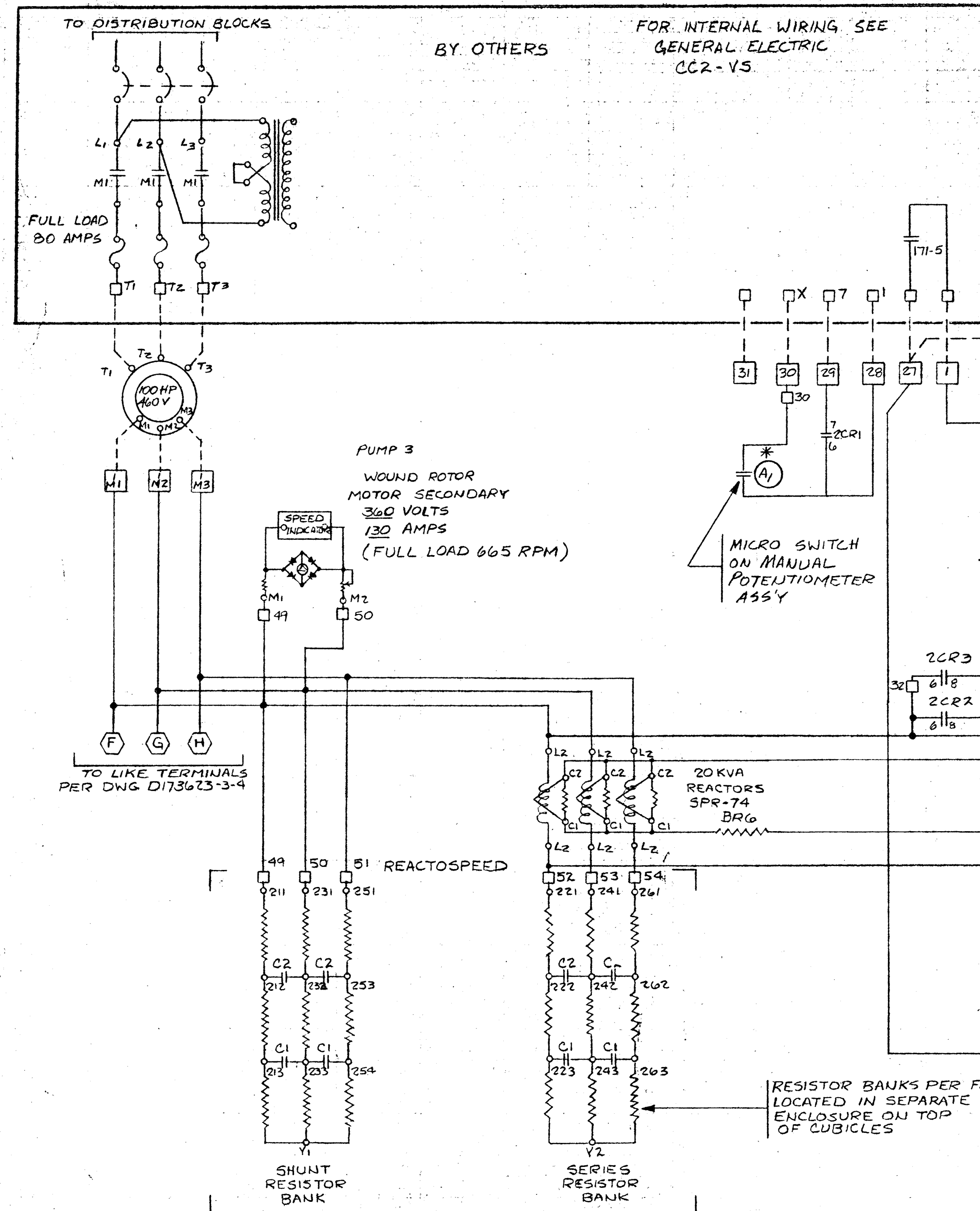


| REV. | FIELD MODIF. | DATE | BY | REVISIONS |
|------|-------------------|------|-----|-----------|
| F | JT 10-13-91 | | JAM | |
| E | ADDED ITR2 & ITR3 | | JAM | |
| D | FINAL AS-BUILT | | JAM | |
| H | PER FIELD NO. 2 | | JAM | |
| G | PER FIELD NO. 1 | | JAM | |

FRONT (REF)

AUTOCOON INDUSTRIES INC.
an automation service of CONTROL DATA CORPORATION

TITLE: W/D & DIP CUSTOM
PROJECT NAME: SAVAGE STP
HONARD COUNTY
DRAWING NO.: D173623-3-1



PUMP SEQUENCE

| X = 4 | SWITCH POSITION | |
|---------|-----------------|---------|
| CONTACT | 3-6 | OFF 6-3 |
| 1 | X | |
| 2 | | X |
| 3 | | |
| 4 | X | |
| 5 | | X |
| 6 | | |
| 7 | X | X |
| 8 | | X |
| 9 | | |

REVISIONS

| REVISION | DESCRIPTION |
|----------|---------------------------------|
| F | PER FIELD MOD. J. B. H. 6-14-82 |
| E | REV. FIELD MODIF. JJ 10-13-81 |
| D | FINAL AS BUILT DW. 5-4-81 |
| C | PER CUST. APPROVAL C&T 4/13/81 |
| B | PER RESUBMITTAL DW. 12-12-80 |
| A | REDRAWN PER 173623 CGT |

DIMENSIONS IN INCHES UNLESS OTHERWISE SPECIFIED

SCALE: AS SHOWN

DATE: 11/21/80

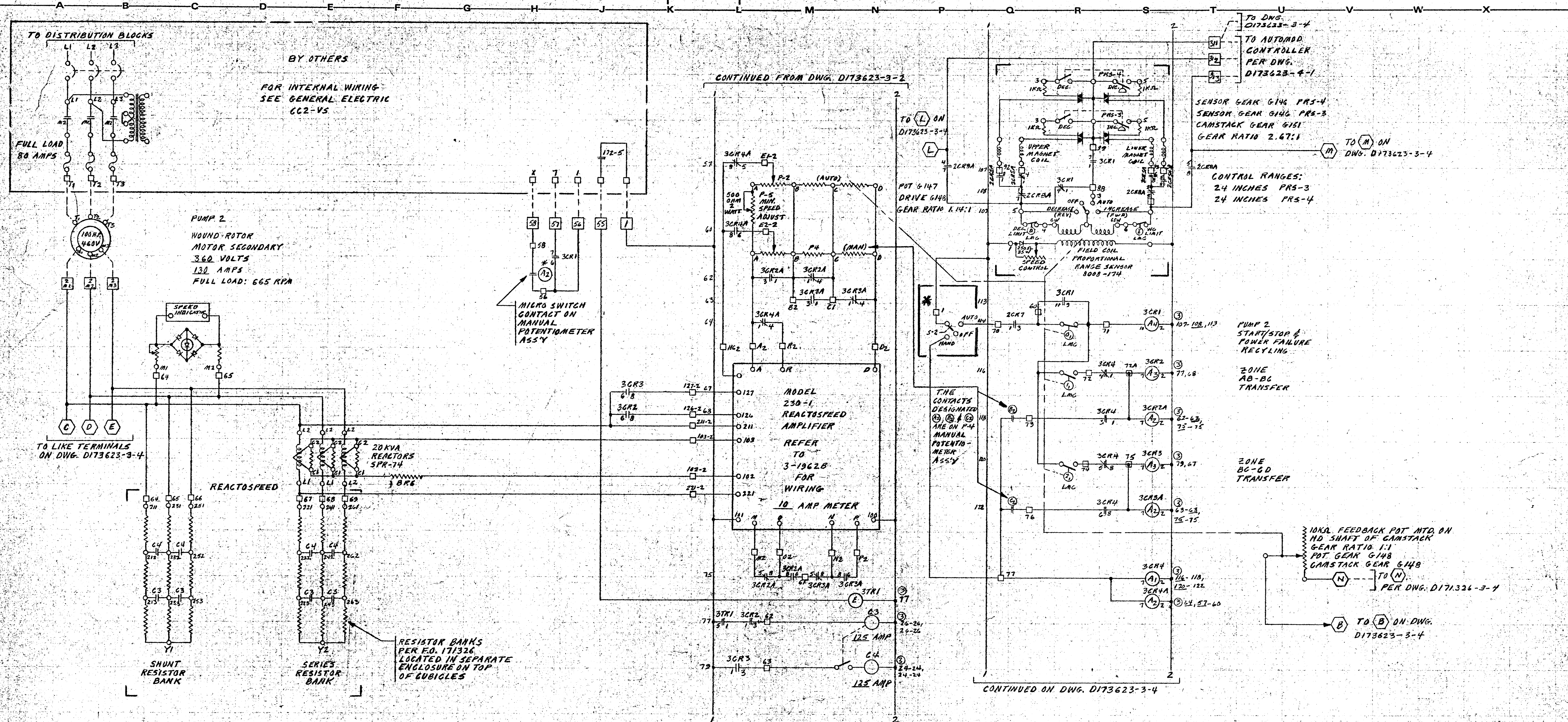
PROJECT: SAVAGE STP HOWARD COUNTY

TITLE: W/D PLAN PAK I A

REACTOSPEED

DWG NO: D173623-3-2

REV: 1



PUMP 2
 WOUND-ROTOR
 MOTOR SECONDARY
 360 VOLTS
 130 AMPS
 FULL LOAD: 665 RPM

CONTINUED FROM DWG. D173623-3-2

CONTINUED ON DWG. D173623-3-4

RESISTOR BANKS
 PER FIG. 171326
 LOCATED IN SEPARATE
 ENCLOSURE ON TOP
 OF LUBICLES

TO DNG.
 D173623-3-4
 TO AUTOMOD
 CONTROLLER
 PER DNG.
 D173623-4-1

SENSOR GEAR G146 PRS-4
 SENSOR GEAR G146 PRS-3
 CAMSTACK GEAR G151
 GEAR RATIO 2.67:1

CONTROL RANGES:
 24 INCHES PRS-3
 24 INCHES PRS-4

PUMP 2
 START/STOP &
 POWER FAILURE
 RECYCLING

ZONE
 AB-BC
 TRANSFER

ZONE
 BC-CD
 TRANSFER

10KA FEEDBACK POT MTD. ON
 MD SHAFT OF CAMSTACK
 GEAR RATIO 1:1
 POT. GEAR G148
 CAMSTACK GEAR G148

TO B ON DWG.
 D173623-3-4

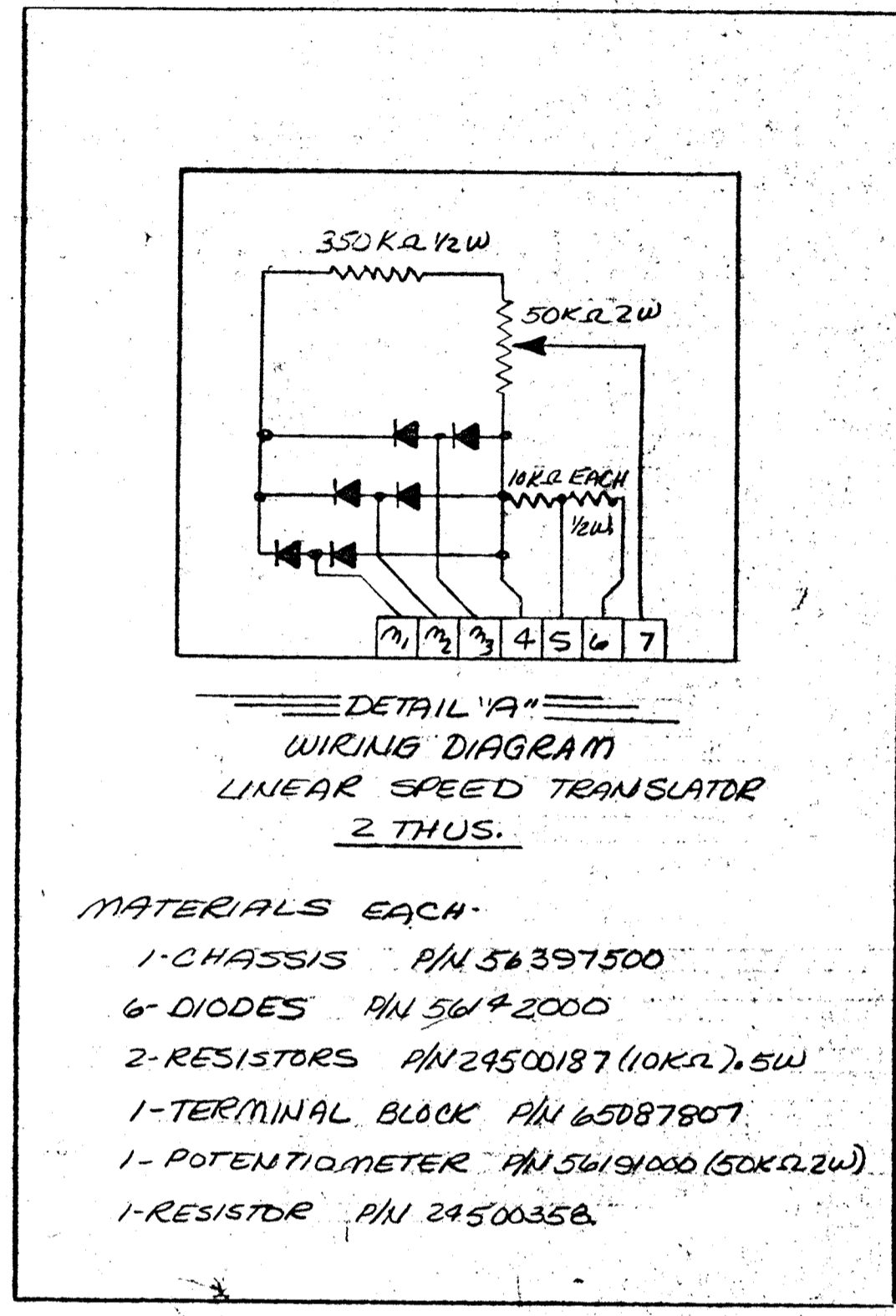
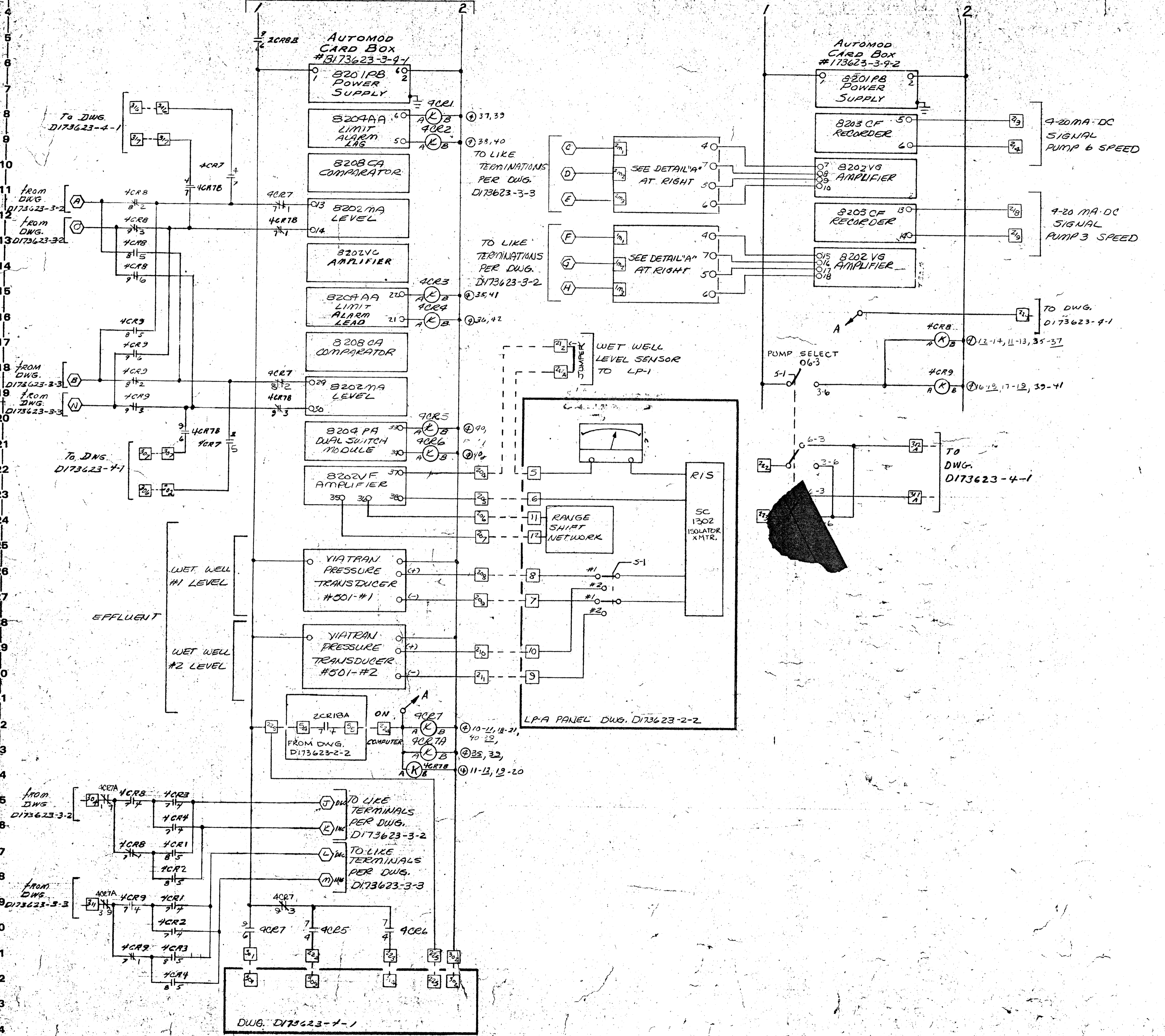
* LOCATED IN MOTOR STARTER COMPARTMENT

PUMP 6

| REVISIONS | DATE | DESCRIPTION |
|-----------|--------------------|-------------|
| F | PER FIELD MODIFIC. | |
| JJ | 5-13-82 | |
| E | REV. FIELD MODIF. | |
| JJ | 10-13-81 | |
| D | FINAL AS BUILT | |
| EM | 5-2-81 | |
| C | PER CUST. APPROV. | |
| CGT | 4/13/81 | |
| B | PER RESUBMITTAL | |
| EM | 2-11-80 | |
| A | ISSUED PER 173623 | |
| J.E.H. | 11-27-80 | |

| | | |
|---|--|--|
| DIMENSIONS IN INCHES DO NOT SCALE | DATE J.A.H. 1/28/82 | AUTOCON INDUSTRIES, INC. AN AFFILIATE OF CONTEX DATA CORPORATION |
| TOLERANCE UNLESS OTHERWISE SPECIFIED | BY J.P.H. | |
| PROJECT SAVAGE S.F.P. HAWARD COUNTY | TITLE WID FLAK PAK IIA PER CUST. APPROV. | PROJECT NO. D173623-3-3 |
| SCALE AS SHOWN | DRAWN BY J.P.H. | DATE 1/28/82 |

120 V.A.C. 60 HZ. INCOMING POWER
CONTINUED FROM DWG. D173623-3-2

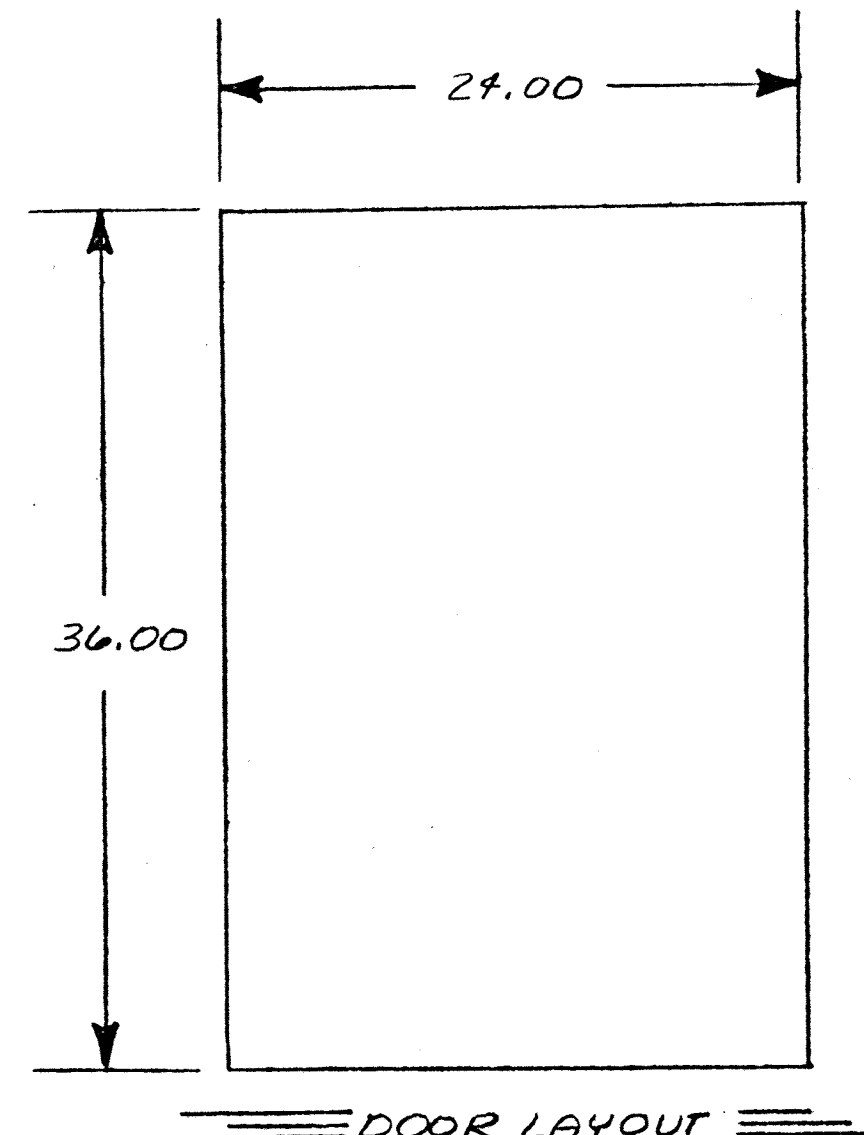
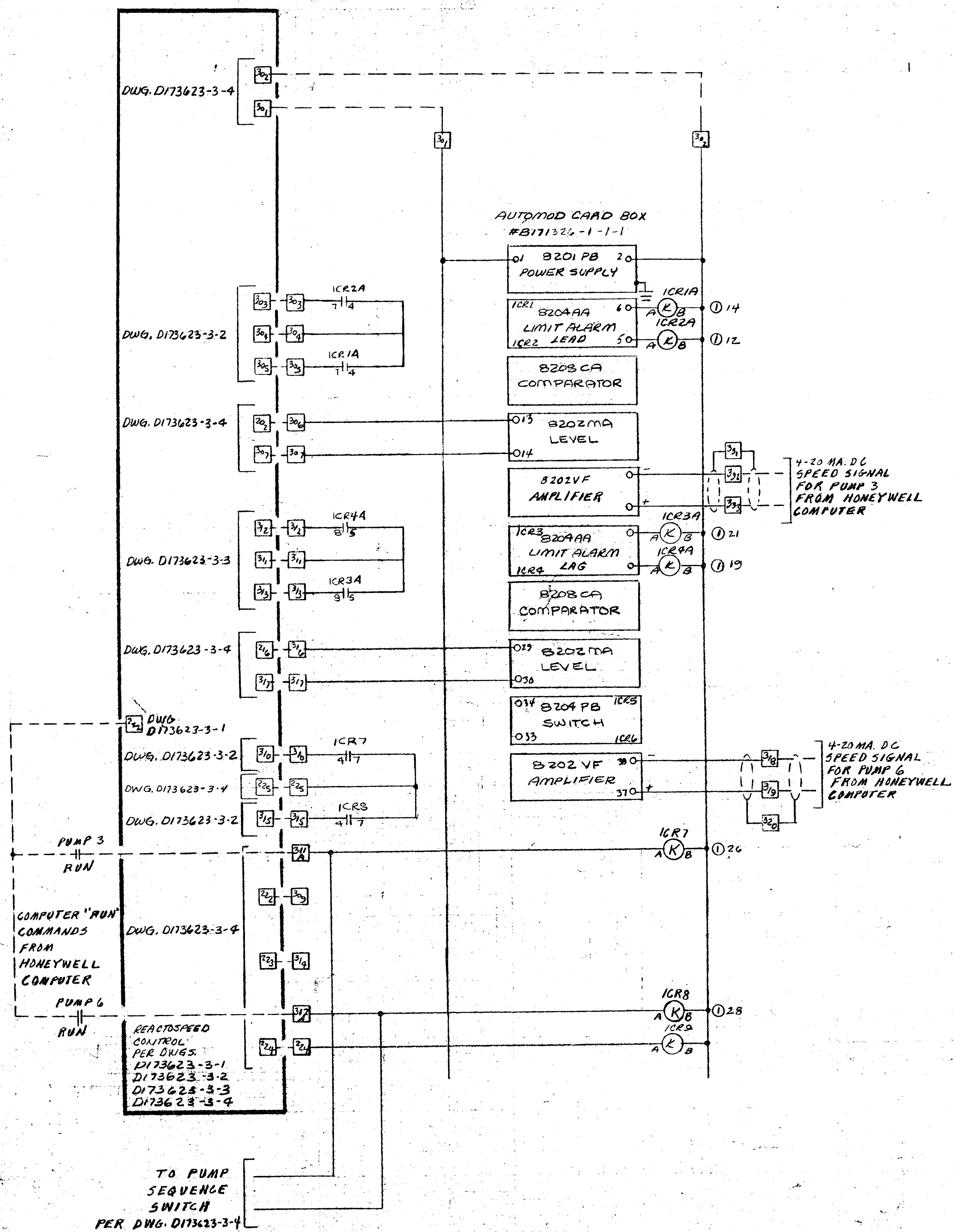


- MATERIALS EACH:
- 1-CHASSIS P/N 58397500
 - 6-DIODES P/N 5612000
 - 2-RESISTORS P/N 24500187 (10K.2W)
 - 1-TERMINAL BLOCK P/N 65087807
 - 1-POTENTIOMETER P/N 56191000 (50K.2W)
 - 1-RESISTOR P/N 24500358

| REV | DESCRIPTION | DATE |
|-----|-------------------------------|---------|
| G | PER FIELD MOD. #173623-37 | 6-21-82 |
| F | PER FIELD MOD. J.B.H. 2-14-82 | |
| E | PER FIELD MOD. JJ 2-13-82 | |
| D | REV. FIELD MOD. JJ 10-13-81 | |
| C | FINAL AS BUILT DN 8-1-81 | |
| B | PER CUST. APPROVAL CGT 4/3/81 | |
| A | REV. ASSUMPTIONS DN 1-14-81 | |

| | | |
|--------------------------------------|---------------|---|
| DIMENSIONS IN INCHES DO NOT SCALE | DATE 2/13/82 | AUTOCON INDUSTRIES INC. CONTROL DATA CORPORATION TITLE WLD. REACTORSPEED MODIFICATIONS |
| TOLERANCE UNLESS OTHERWISE SPECIFIED | CDL 2/13/82 | |
| DECIMALS | EMS 1/16 | PROJECT NO. 173623-1B |
| FRACTIONS | SAVAGE S&P | DWG. NO. D173623-3-9 |
| ANGLES | HOOPER COUNTY | SCALE |
| SCALE | 173623-1B | |

| N.P. NO. | NAME PLATE DESIGNATIONS | NO. | PART |
|----------|-------------------------|-----|------|
| 1 | COMPUTER PUMP SEQUENCE | 1 | |
| | 3-6 | 6-3 | |



- NOTES:
- 1) ENCLOSURE: NEURAL PER D/P21B124-36(24x36x17)
 - 2) FINISH: ANSI-61 LIGHT GRAY (AN565 77B63)
 - 3) REDRAWN FROM DWG. D171326-1

| REVISIONS | DATE | BY | DESCRIPTION |
|-----------|--------------------|--------|-------------|
| E | PER FIELD MOD. | J.B.H. | 6-15-82 |
| D | REV. FIELD MOD. | ST | 10-13-81 |
| C | FINAL AS BUILT | CM | 5-2-81 |
| B | PER CUST. APPROVAL | | CGT 4/3/81 |
| A | PER RESUBMITTAL | DA | 12-12-80 |

UNIT "B" COMPUTER INTERFACE

AUTOCON INDUSTRIES, INC.
AN AFFILIATE OF CONTROL DATA CORPORATION

TITLE: WID ADDITIONS TO:
REACTOSPEED CONTROL

SAVAGE S.T.R.
HOWARD COUNTY

DWG NO. D173623-4-1

ORDER NO. 173623-08