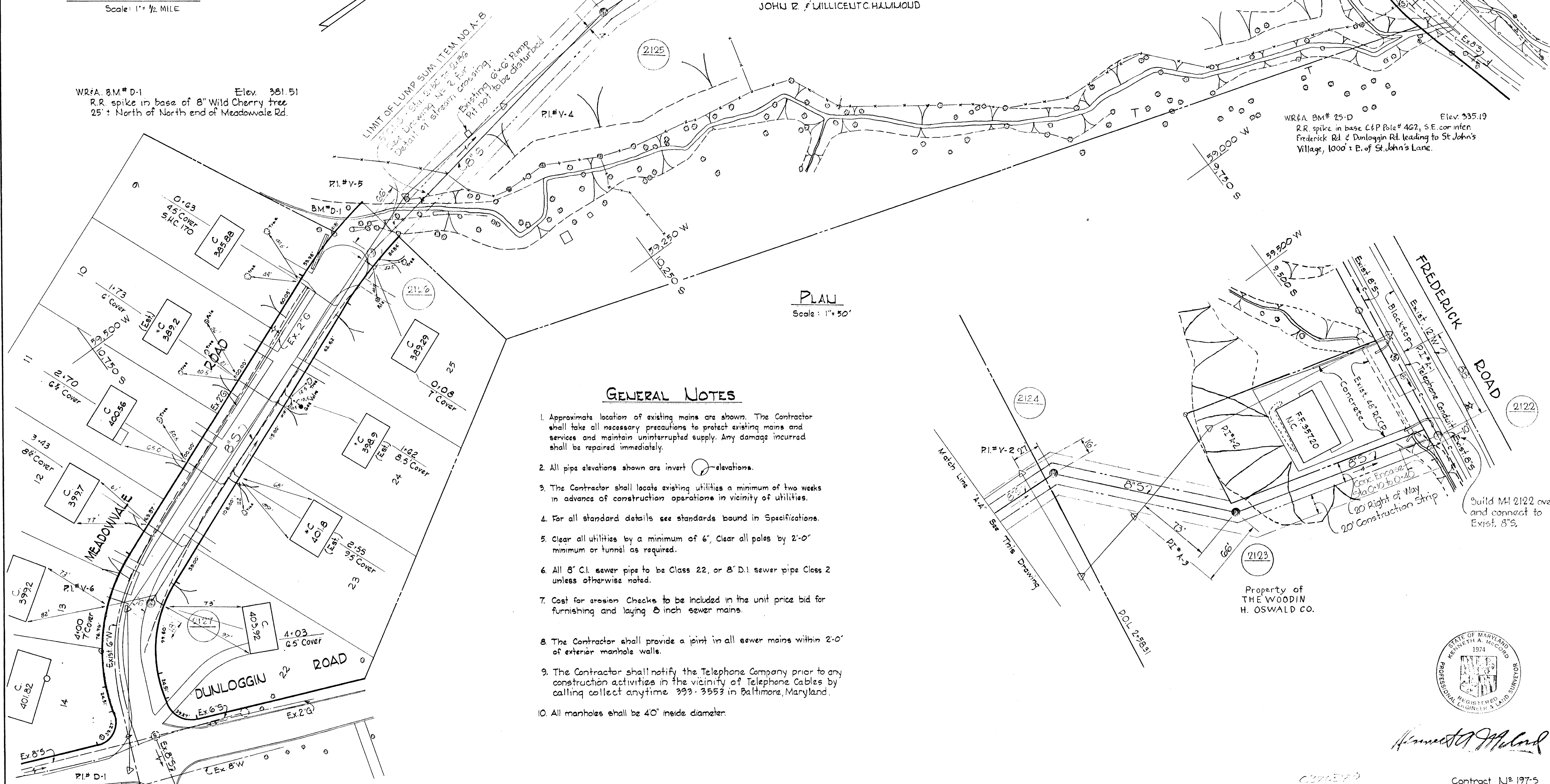


VICINITY MAP

Scale: 1" = 1/2 MILE

WR&A BM# D-1 Elev. 381.51
 R.R. spike in base of 8" Wild Cherry tree
 25' North of North end of Meadowvale Rd.

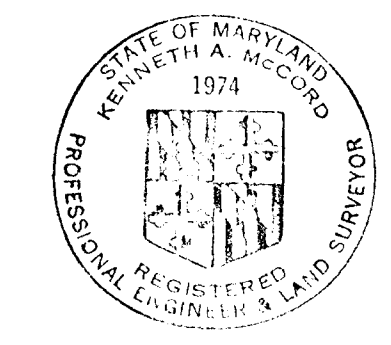
WR&A BM# 25-D Elev. 335.19
 R.R. spike in base of 6" Pole # 462, S.E. corner
 Frederick Rd & Dunloggin Rd. leading to St John's
 Village, 1000' E. of St. John's Lane.



PLAN
 Scale: 1" = 50'

GENERAL NOTES

1. Approximate location of existing mains are shown. The Contractor shall take all necessary precautions to protect existing mains and services and maintain uninterrupted supply. Any damage incurred shall be repaired immediately.
2. All pipe elevations shown are invert elevations.
3. The Contractor shall locate existing utilities a minimum of two weeks in advance of construction operations in vicinity of utilities.
4. For all standard details see standards bound in Specifications.
5. Clear all utilities by a minimum of 6'. Clear all poles by 2'-0" minimum or tunnel as required.
6. All 8" C.I. sewer pipe to be Class 22, or 8" D.I. sewer pipe Class 2 unless otherwise noted.
7. Cost for erosion Checks to be included in the unit price bid for furnishing and laying 8 inch sewer mains.
8. The Contractor shall provide a joint in all sewer mains within 2'-0" of exterior manhole walls.
9. The Contractor shall notify the Telephone Company prior to any construction activities in the vicinity of Telephone Cables by calling collect anytime 993-3553 in Baltimore, Maryland.
10. All manholes shall be 40" inside diameter.



Kenneth A. McLeod

WHITMAN, REQUARDT & ASSOCIATES
 ENGINEERS
 1304 ST. PAUL ST.
 BALTIMORE, MARYLAND

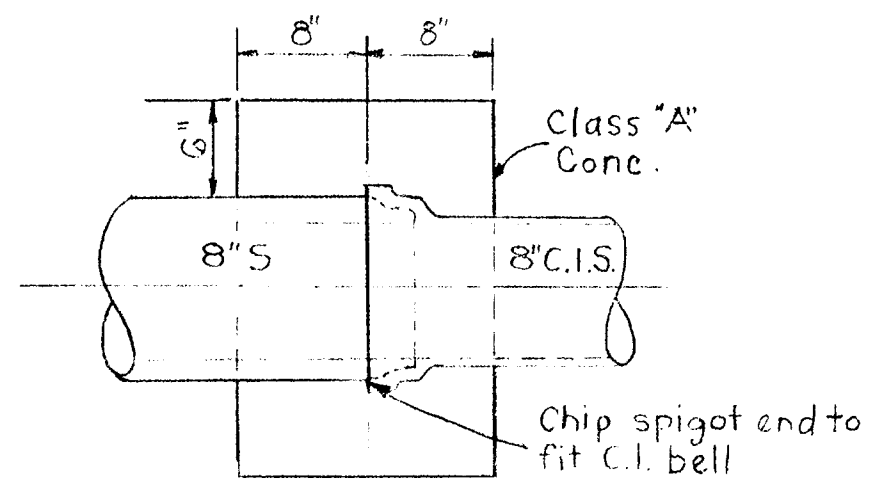
HOWARD COUNTY METROPOLITAN COMMISSION
 DATE: 11-15-67
 CHIEF ENGINEER

CONTRACT NO. 197-S

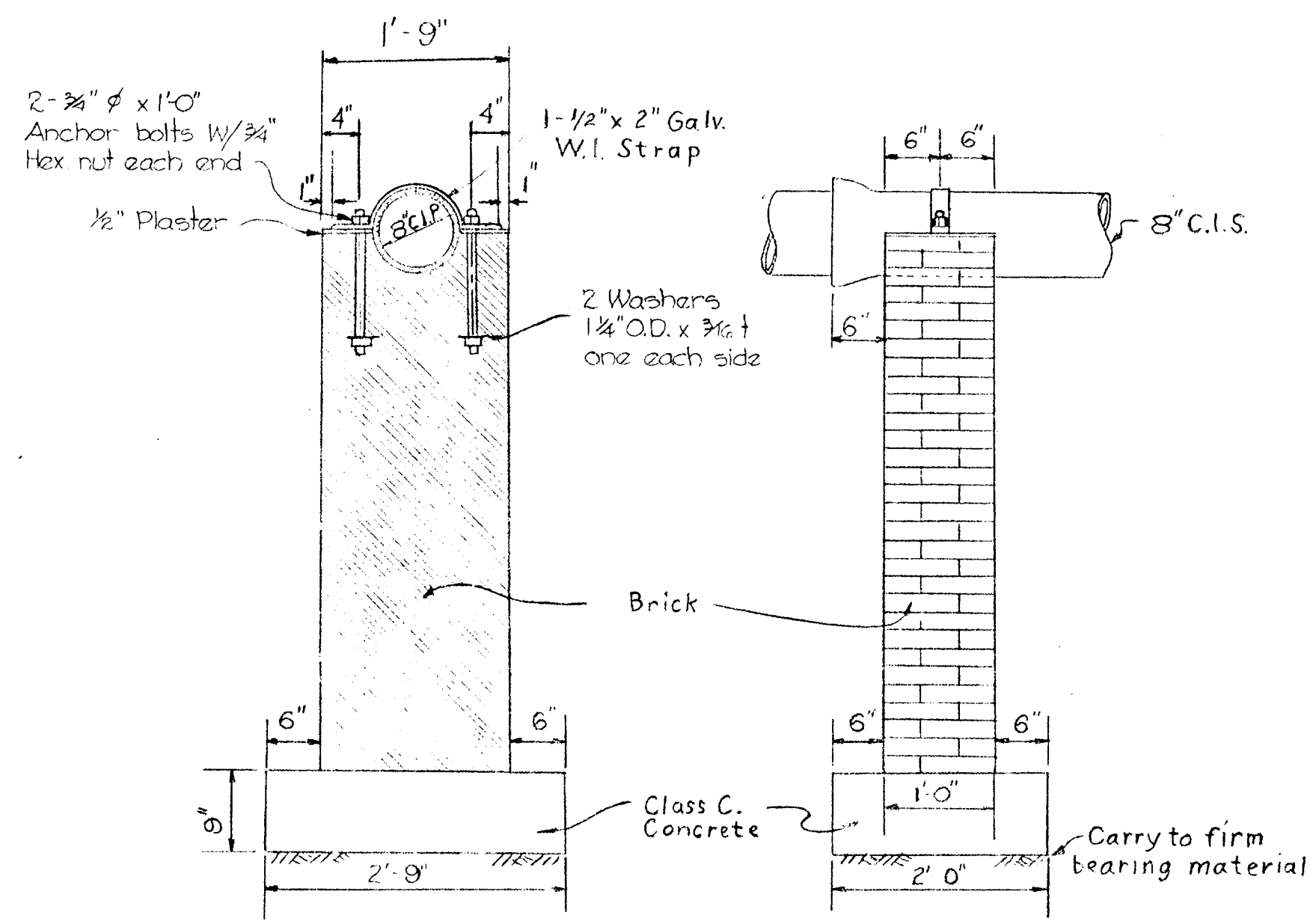
PLAN OF
 SEWER MAINS

ELLICOTT CITY
 ELECTION DISTRICT NO. 2

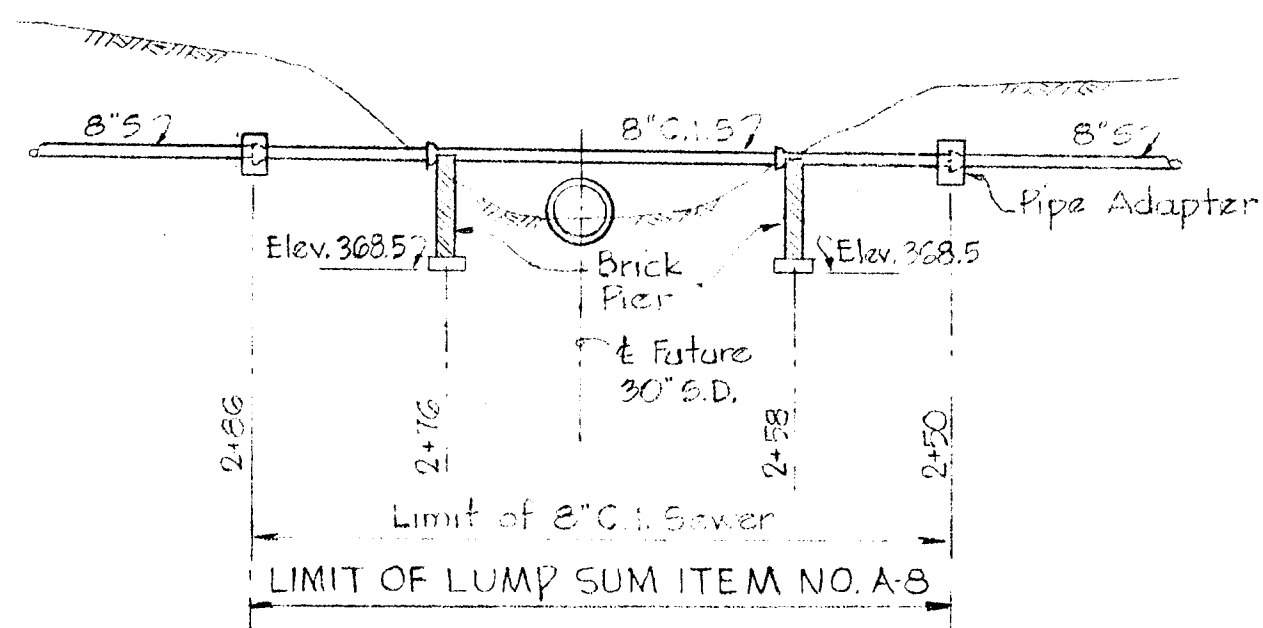
CONTRACT NO. 197-S
 DRAWING NO. 1 OF 2
 SCALE AS SHOWN
 10, 11 SW 10



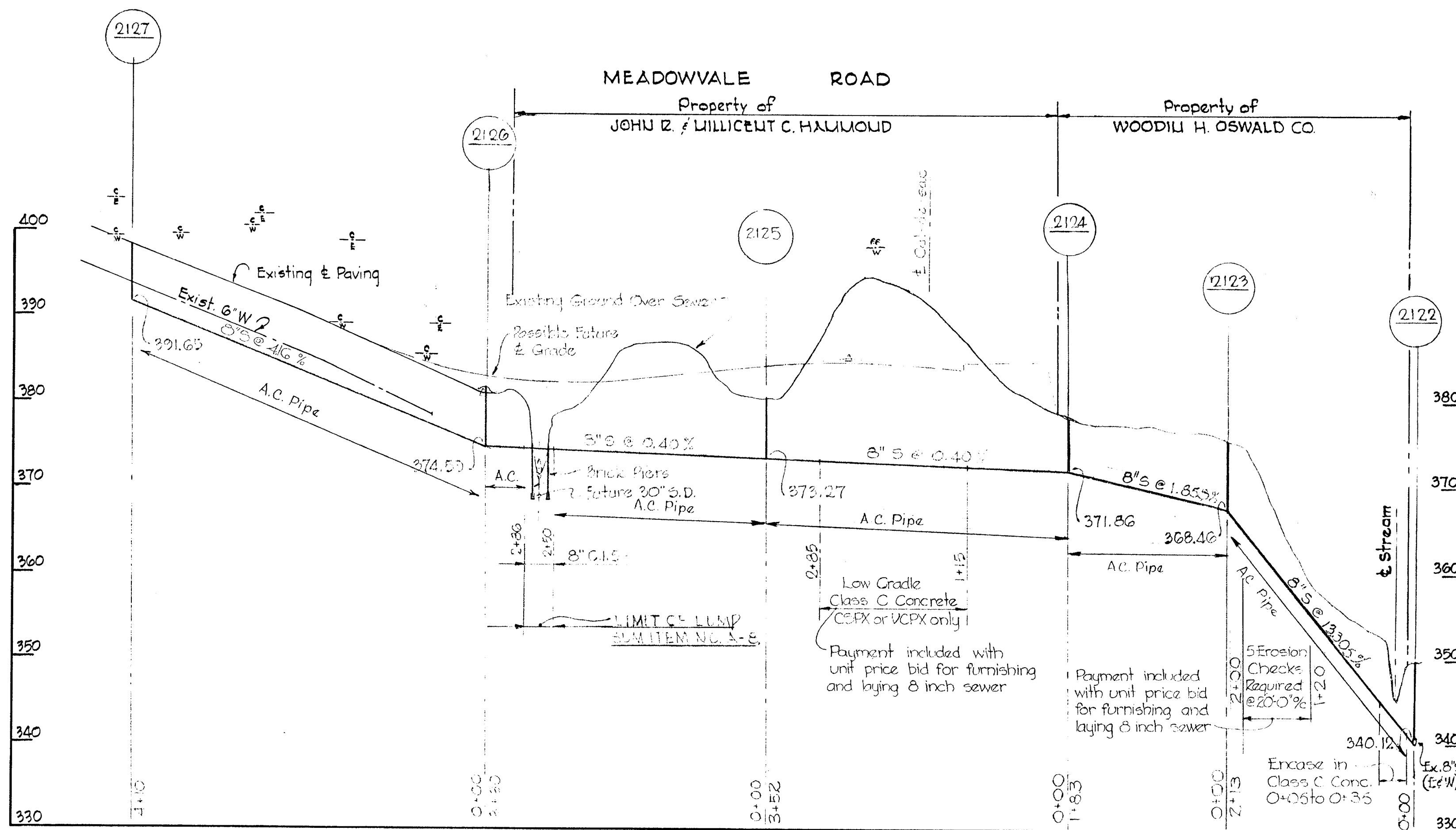
C.I. TO CONCRETE OR V.C. PIPE ADAPTER
Scale 1"=1'-0"



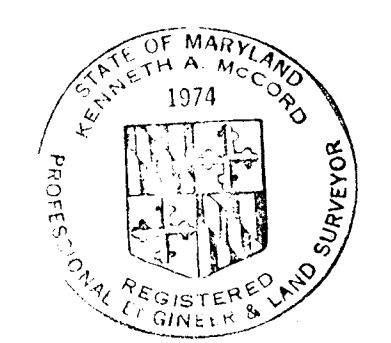
TYPICAL PIER DETAIL
Scale: 3/4"=1'-0"



DETAIL OF STREAM CROSSING
Scale: 1"=10' N.V.



PROFILE
Scale: H: 1"=100'
V: 1"=10'



Kenneth A. McLeod

WHITMAN, REQUARDT & ASSOCIATES
ENGINEERS
1304 ST. PAUL ST.
BALTIMORE, MARYLAND

HOWARD COUNTY METROPOLITAN COMMISSION
DATE: 11-20-67
CHIEF ENGINEER

CONTRACT NO. 197-5

PROFILE OF SEWER MAINS

ELLCOTT CITY
ELECTION DISTRICT NO. 2

CONTRACT NO. 197-5
DRAWING NO. 2 OF 2
SCALE AS SHOWN

AS BUILT JUNE 20, 1968