

# OLD FREDERICK ROAD 8-INCH SEWER MAIN

## CAPITAL PROJECT S-6219 CONTRACT NO. 10-3737

QUANTITIES				
ITEM	QUANTITIES		TYPE MATERIAL	SUPPLIER
	ESTIMATED	AS BUILT		
8" SEWER	512 L.F.	512 L.F.	SDR 35 PVC	BELAIR ROAD SUPPLY J-M MANUFACTURING
8" SEWER	95 L.F.	95 L.F.	D.I.P. CL 52	BELAIR ROAD SUPPLY J.S. PIPE & FOUNDRY
6" SEWER	48 L.F.	48 L.F.	SDR 35 PVC	BELAIR ROAD SUPPLY J.M. MANUFACTURING
4" SEWER	30 L.F.	30 L.F.	" "	" " "
MANHOLES	4 EA.	4 EA.	PRECAST ASTM-C-478	ATLANTIC CONCRETE PRODUCTS, INC.
MANHOLES- DEPTH > 6'	20 V.F.	20 V.F.	" "	" " "
36" O.D. CASING	80 L.F.	80 L.F.	ASTM-A-139 STEEL GRADE B	PITTSBURGH PIPE

NOTE:  
SEDIMENT CONTROL TO BE IMPLEMENTED IN ACCORDANCE WITH VOLUME 4, ARTICLE 15 OF THE HOWARD COUNTY DESIGN MANUAL AND THESE PLANS.

**ENGINEER'S CERTIFICATION**

I CERTIFY THAT THIS PLAN FOR EROSION AND SEDIMENT CONTROL REPRESENTS A PRACTICAL AND WORKABLE PLAN BASED ON MY PERSONAL KNOWLEDGE OF THE SITE CONDITIONS AND THAT IT WAS PREPARED IN ACCORDANCE WITH THE HOWARD COUNTY SOIL CONSERVATION DISTRICT.

*James J. Smith* DATE 2-12-99  
WALLACE, MONTGOMERY & ASSOCIATES  
110 WEST ROAD - SUITE 345  
TOWSON, MARYLAND 21204  
(410) 494-9093

REVIEWED FOR HOWARD S.C.D. AND MEETS TECHNICAL REQUIREMENTS.

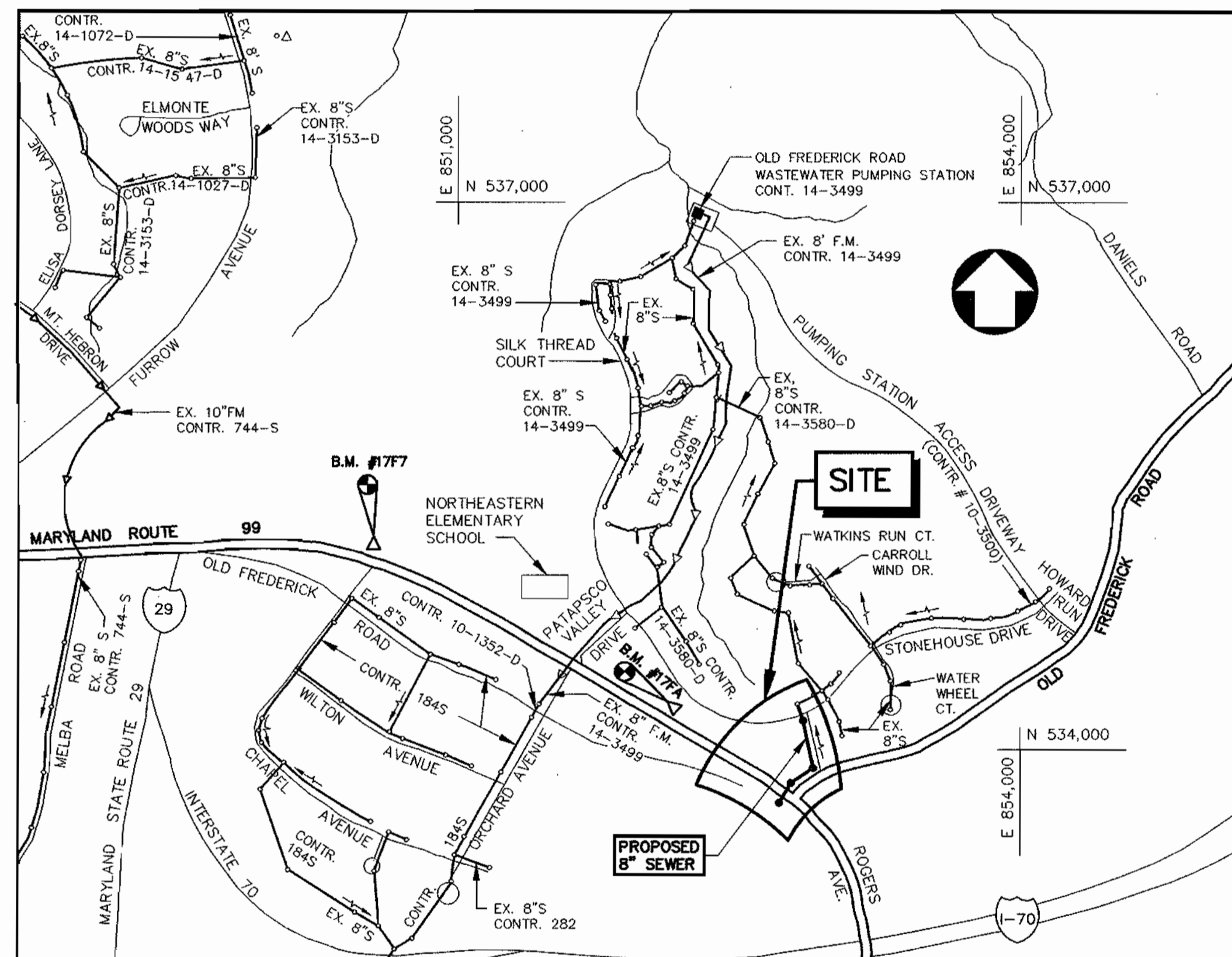
*Kevin Simmons* 3-8-99  
U.S.D.A. - NATURAL RESOURCES CONSERVATION SERVICE DATE  
THIS DEVELOPMENT PLAN IS APPROVED FOR THE SOIL EROSION AND SEDIMENT CONTROL BY THE HOWARD SOIL CONSERVATION DISTRICT.

*John Robertson* 3/8/99  
APPROVED DATE  
HOWARD SOIL CONSERVATION DISTRICT

**DEVELOPER'S CERTIFICATION**

I/WE CERTIFY THAT ALL DEVELOPMENT AND CONSTRUCTION WILL BE DONE ACCORDING TO THIS PLAN, AND THAT ANY RESPONSIBLE PERSONNEL INVOLVED IN THE CONSTRUCTION PROJECT WILL HAVE A CERTIFICATE OF ATTENDANCE AT A DEPARTMENT OF THE ENVIRONMENT APPROVED TRAINING PROGRAM FOR THE CONTROL OF SEDIMENT AND EROSION BEFORE BEGINNING THE PROJECT. I ALSO AUTHORIZE PERIODIC ON-SITE INSPECTION BY THE HOWARD COUNTY SOIL CONSERVATION DISTRICT.

*Richard J. Sepp* 3-3-99  
SIGNATURE OF DEVELOPER DATE  
PRINT NAME BELOW SIGNATURE



TYPE OF BUILDING: RESIDENTIAL  
NUMBER OF PARCELS: 2  
SEWER HOUSE CONNECTIONS: 2  
DRAINAGE AREA: PATAPSCO

**VICINITY MAP**  
SCALE: 1" = 600'

SEWER CODE FOR COUNTY USE ONLY:  
SEWER NO. 1454850

INDEX OF SHEETS	
SHEET NO.	DESCRIPTION
1	TITLE SHEET
2	PLAN AND PROFILE
3	SEDIMENT CONTROL NOTES & DETAILS

### GENERAL NOTES:

#### PART I

- APPROXIMATE LOCATIONS OF EXISTING MAINS ARE SHOWN. THE CONTRACTOR SHALL TAKE ALL NECESSARY PRECAUTIONS TO PROTECT EXISTING MAINS AND SERVICES AND MAINTAIN UNINTERRUPTED SERVICE. ANY DAMAGE INCURRED SHALL BE REPAIRED IMMEDIATELY TO THE SATISFACTION OF THE ENGINEER AT THE CONTRACTOR'S EXPENSE.
- ALL HORIZONTAL CONTROLS ARE BASED ON MARYLAND STATE COORDINATES, NAD 83.
- ALL VERTICAL CONTROLS ARE BASED ON NAVD 29.
- ALL PIPE ELEVATIONS SHOWN ARE INVERT ELEVATIONS UNLESS OTHERWISE NOTED ON THE PLANS.
- CLEAR ALL UTILITIES BY A MINIMUM OF 6". CLEAR ALL POLES BY 5'-0" MINIMUM OR TUNNEL AS REQUIRED UNLESS OTHERWISE NOTED. THE OWNER HAS CONTACTED THE UTILITY COMPANIES AND HAS MADE ARRANGEMENTS FOR BRACING OF POLES AS SHOWN ON THE DRAWINGS. IN THE EVENT THE CONTRACTOR'S WORK REQUIRES THE BRACING OF ADDITIONAL POLES, ANY COST INCURRED BY THE OWNER FOR THE BRACING OF ADDITIONAL POLES OR DAMAGES SHALL BE DEDUCTED FROM MONIES OWED THE CONTRACTOR. THE CONTRACTOR SHALL COORDINATE WITH THE UTILITY COMPANIES TO SCHEDULE THE BRACING OF THE POLES.
- FOR DETAILS NOT SHOWN ON THE DRAWINGS, AND FOR MATERIALS AND CONSTRUCTION METHODS, USE HOWARD COUNTY DESIGN MANUAL, VOLUME IV, STANDARD SPECIFICATIONS AND DETAILS FOR CONSTRUCTION (LATEST EDITION). THE CONTRACTOR SHALL HAVE A COPY OF VOLUME IV ON THE JOB.
- WHERE TEST PITS HAVE BEEN MADE ON EXISTING UTILITIES, THEY ARE NOTED BY THE SYMBOL [ ] AT THE LOCATIONS OF THE TEST PITS. A NOTE OR NOTES CONTAINING THE RESULTS OF THE TEST PIT OR PITS IS INCLUDED ON THE DRAWINGS. EXISTING UTILITIES IN THE VICINITY OF THE PROPOSED WORK FOR WHICH TEST PITS HAVE NOT BEEN DUG SHALL BE LOCATED BY THE CONTRACTOR TWO WEEKS IN ADVANCE OF CONSTRUCTION OPERATIONS AT HIS OWN EXPENSE.
- THE CONTRACTOR SHALL NOTIFY THE FOLLOWING UTILITY COMPANIES OR AGENCIES AT LEAST FIVE WORKING DAYS BEFORE STARTING WORK SHOWN ON THESE PLANS:
  - AT&T.....1-800-526-2000
  - BGE(CONTRACTOR SERVICES).....410-850-4620
  - BGE(UNDERGROUND DAMAGE CONTROL).....410-787-9068
  - BUREAU OF UTILITIES.....410-313-4900
  - BELL ATLANTIC MARYLAND, INC.....1-800-621-9900
  - COLONIAL PIPELINE CO.....410-795-1390
  - MISS UTILITY.....1-800-257-7777
  - STATE HIGHWAY ADMINISTRATION.....410-531-5533
- TREES AND SHRUBS ARE TO BE PROTECTED FROM DAMAGE TO THE MAXIMUM EXTENT. TREES AND SHRUBS LOCATED WITHIN THE CONSTRUCTION STRIP ARE NOT TO BE REMOVED OR DAMAGED BY THE CONTRACTOR.
- CONTRACTOR SHALL REMOVE TREES, STUMPS AND ROOTS ALONG THE LINE OF EXCAVATION. PAYMENT FOR SUCH REMOVAL SHALL BE INCLUDED IN THE UNIT PRICE BID FOR CONSTRUCTION OF THE MAIN.
- THE CONTRACTOR SHALL NOTIFY THE BUREAU OF HIGHWAYS, HOWARD COUNTY, AT (410)313-7450 AT LEAST FIVE WORKING DAYS BEFORE OPEN CUTTING OR BORING/JACKING OF ANY COUNTY ROAD FOR LAYING WATER/SEWER MAINS OR HOUSE CONNECTIONS. THE APPROVAL OF THESE DRAWINGS WILL CONSTITUTE COMPLIANCE WITH DPW REQUIREMENTS PER SECTION 18.114(a) OF THE HOWARD COUNTY CODE.

#### PART II SEWER

- ALL SEWER MAINS SHALL BE D.I.P. OR P.V.C. UNLESS OTHERWISE NOTED.
- ALL MANHOLES SHALL BE 4'-0" INSIDE DIAMETER, UNLESS OTHERWISE NOTED.
- FORCE MAINS SHALL BE D.I.P. ONLY.
- MANHOLES SHOWN WITH 12" AND 16" WALLS ARE FOR BRICK MANHOLES ONLY.
- MANHOLES DESIGNATED W.T. IN PLAN AND PROFILE SHALL HAVE WATERTIGHT FRAME AND COVER, STANDARD DETAIL G5.52. WHERE WATERTIGHT MANHOLE FRAMES AND COVERS ARE USED, SET TOP OF FRAME 1'-6" ABOVE FINISHED GRADE UNLESS OTHERWISE NOTED ON THE DRAWINGS.
- HOUSE(S) WITH THE SYMBOL "C.N.S." INDICATES THAT THE CELLAR CANNOT BE SERVED.
- ALL SEWER TRENCH BEDDING SHALL BE IN ACCORDANCE WITH STANDARD DETAIL G 2.01 'TRENCH FOR PVC PIPE AND HDPE PIPE'.

BENCHMARKS				
NO.	ELEV.	NORTHING	EASTING	DESCRIPTION
17FA	477.477	594948.382	1364828.80	CONC. MONUMENT ON NE SIDE RTE. 99, 24.7' NE OF EX. PAVING AND 207' SE OF HIGH VOLTAGE UTILITY BOX ON 8" METAL POLE.
17F7	470.157	595829.680	1363088.400	CONC. MON. AT SURFACE, 20' N OF E. OF ROAD AND 65' E. OF CHAPEL AVE.

RECEIVED  
NOV 09 1999  
BUREAU OF ENGINEERING/DPW

AS-BUILT  
10/29/99

EP-99-18

DEPARTMENT OF PUBLIC WORKS  
HOWARD COUNTY, MARYLAND

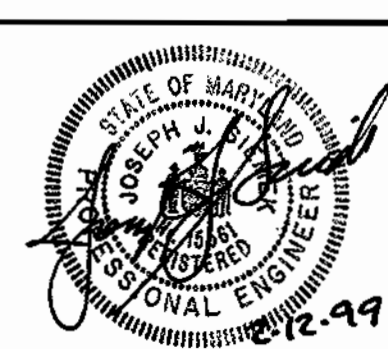
*James M. Lee* 3/2/99  
DIRECTOR OF PUBLIC WORKS DATE

*Richard J. Sepp* 3-3-99  
CHIEF, BUREAU OF ENGINEERING DATE

*Michael A. Busanella* 3-4-99  
CHIEF, BUREAU OF UTILITIES DATE

*Richard J. Sepp* 3-3-99  
CHIEF, UTILITY DESIGN DIVISION DATE

WALLACE, MONTGOMERY & ASSOCIATES  
CIVIL AND STRUCTURAL ENGINEERS  
110 WEST ROAD  
TOWSON, MARYLAND 21204



DES: DED	LAF	AS-BUILT REVISIONS	10/99
DRN: DED			
CHK: JJS			
DATE: FEB 1999	BY NO.	REVISION	DATE

TITLE SHEET

SCALE MAP NO. 17 BLOCK NO. 12

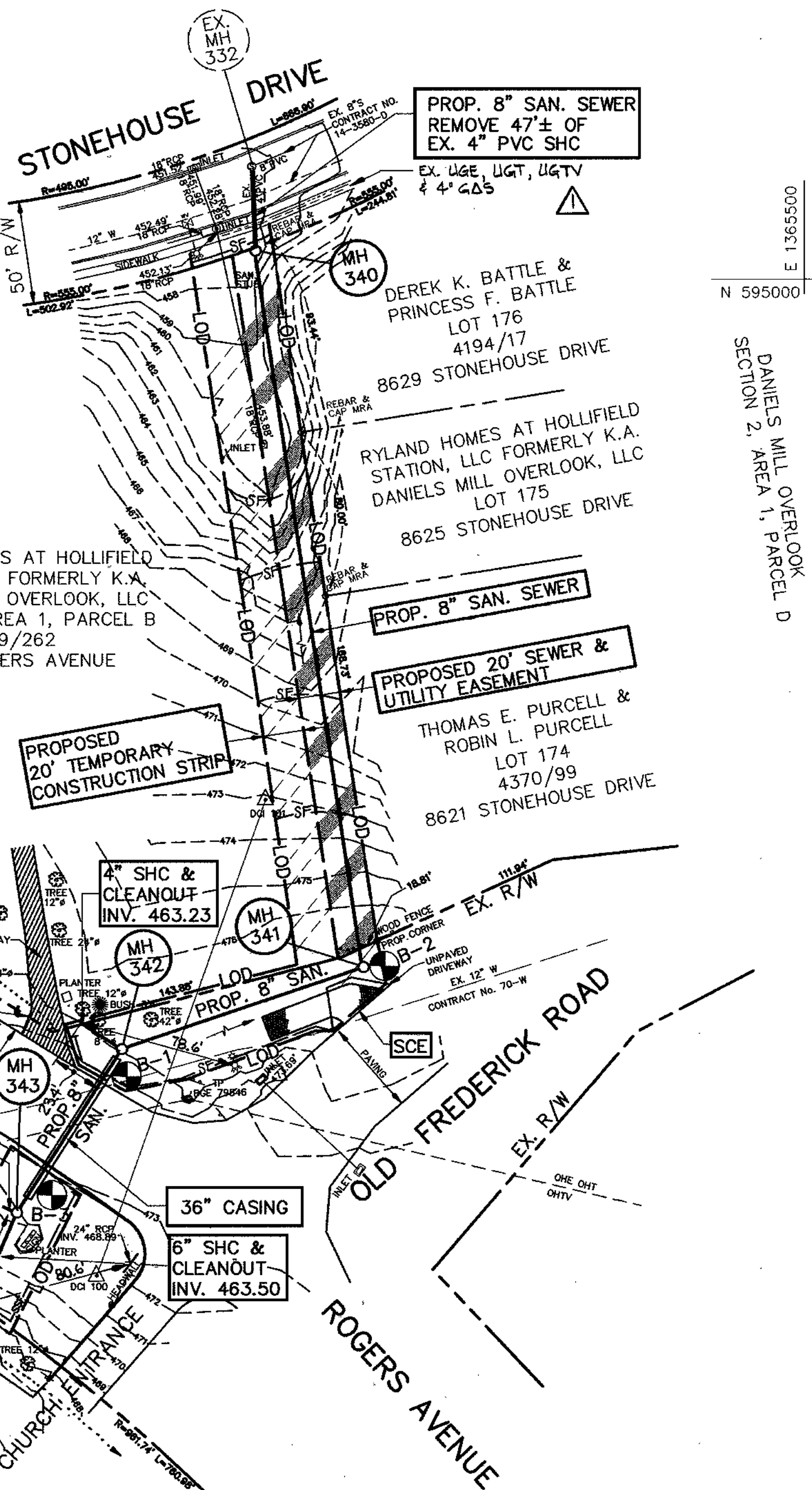
OLD FREDERICK ROAD  
CAPITAL PROJECT S-6219  
CONTRACT NO. 10-3737  
ELECTION DISTRICT NO. 2  
HOWARD COUNTY, MARYLAND

SCALE AS SHOWN

SHEET 1 OF 3

DANIELS MILL OVERLOOK, LLC  
SECTION 2, AREA 1,  
PARCEL D

E 1365000  
N 595000



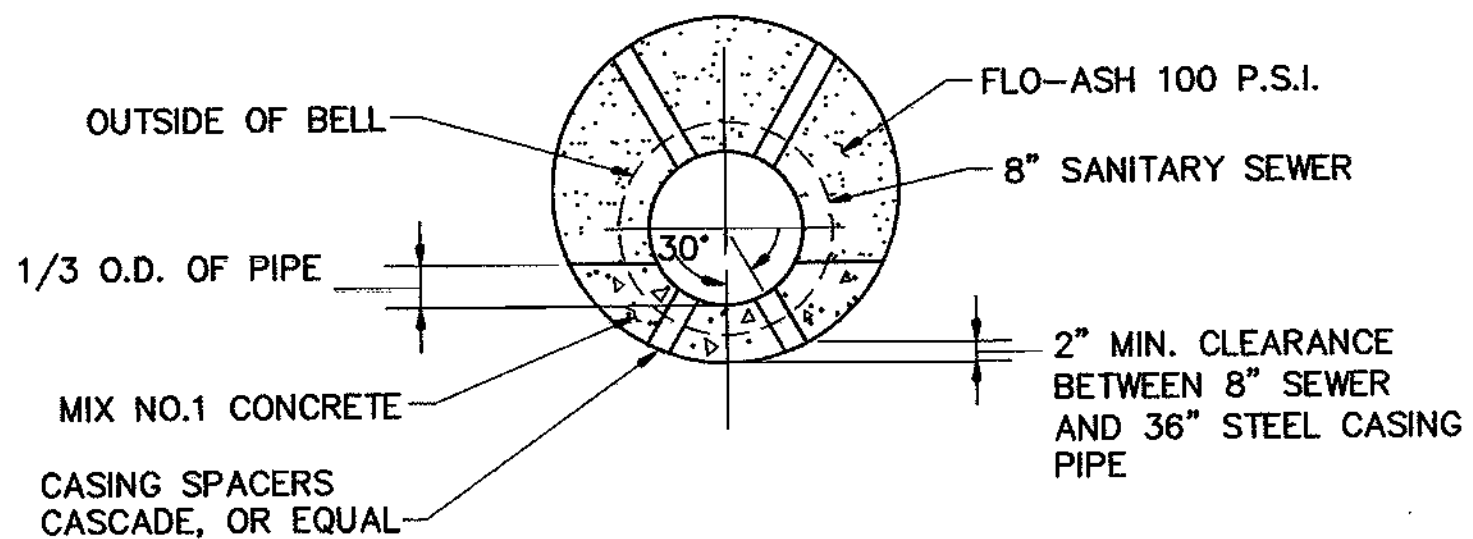
RESTORATION SCHEDULE			
STATION	TO STATION	DISTANCE	MATERIAL
EX. MH 332	0+21	25 FEET	BITUMINOUS PAVING
0+21	0+22	1 FOOT	CURB & GUTTER
0+22	0+26	4 FEET	SEEDING
0+26	0+30	4 FEET	CONC. SIDEWALK
0+30	MH 340	10 FEET	SEEDING
MH 340	MH 342	472 FEET	SEEDING
MH 342	0+05	5 FEET	SEEDING
0+05	0+85	-	N/A
0+85	MH 343	10 FEET	SEEDING
MH 343	0+48	48 FEET	SEEDING

PLAN  
SCALE: 1"=50'

STAKEOUT TABLE 8" SEWER MAIN		
DESCRIPTION	NORTH	EAST
MH 340	595014.07	1365236.33
MH 341	594667.55	1365287.43
MH 342	594627.75	1365170.86
END OF 4" SHC	594639.89	1365152.14
MH 343	594548.84	1365120.42
END OF 6" SHC	594504.40	1365101.76

**RESTORATION NOTES:**

1. SAW CUT THE EXISTING BITUMINOUS PAVING, CURB AND GUTTER, AND SIDEWALK.
2. REPAIR BITUMINOUS PAVING IN ACCORDANCE WITH STANDARD DETAIL G4.01.
3. REPAIR CURB AND GUTTER IN ACCORDANCE WITH STANDARD DETAIL R 3.01 AND MATCH EXISTING CONDITIONS.
4. REPAIR SIDEWALK IN ACCORDANCE WITH STANDARD DETAIL R 3.05 AND MATCH EXISTING CONDITIONS.



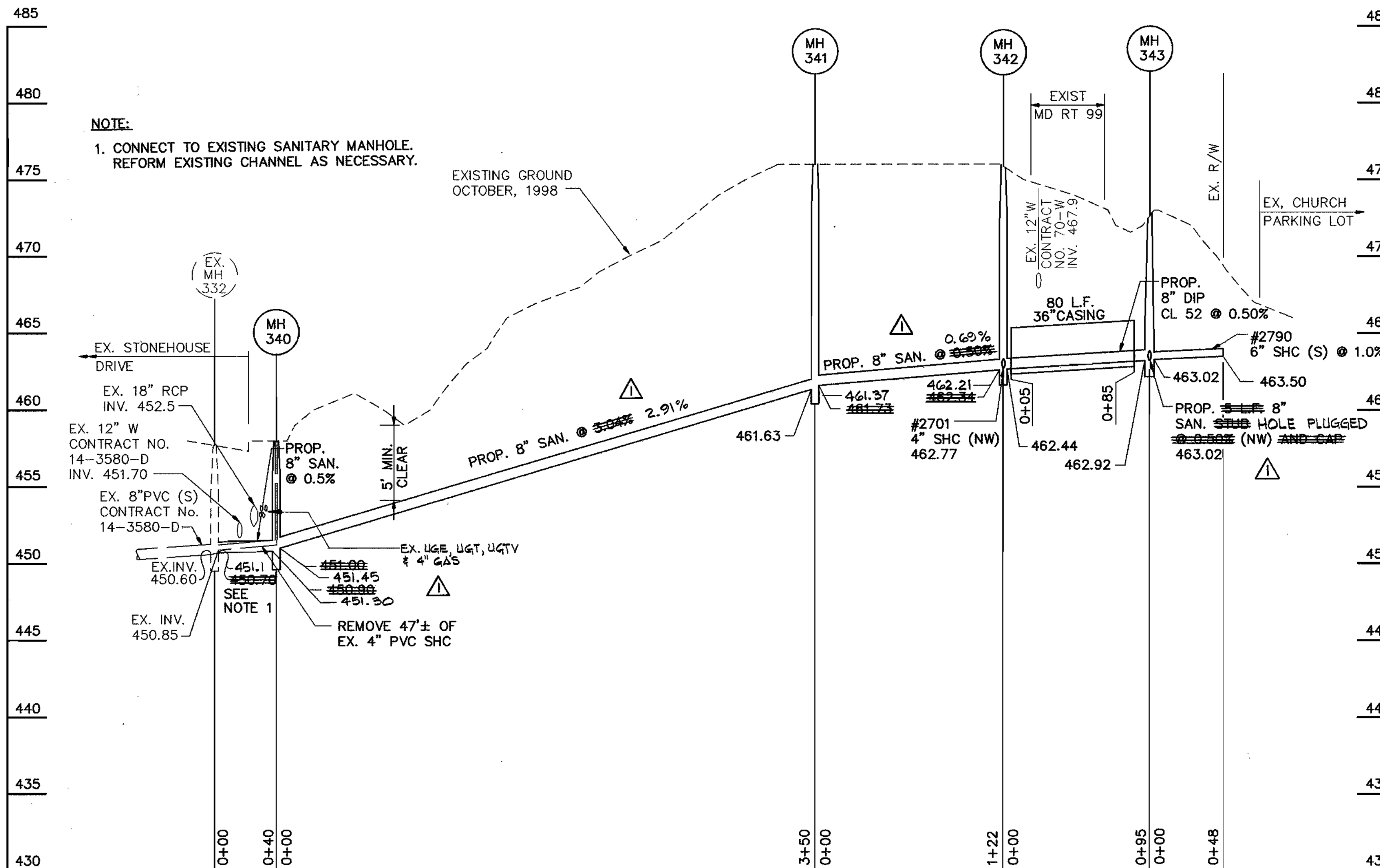
CASING DETAIL  
NOT TO SCALE

**NOTES:**

1. PROVIDE BRICK BULKHEAD AND JOINT AT END OF CASING AS SHOWN ON HOWARD CO. STD. DETAIL G 9.01.
2. 36" MIN. STEEL CASING PIPE, 3/8" WALL THICKNESS FOR SEWER MAIN IN 10' LENGTHS. JOINTS TO BE WELDED FULL CIRCUMFERENCE.
3. FILL ANNULAR SPACE WITH FLO-ASH. CONTRACTOR SHALL PROVIDE CASING SPACERS TO PREVENT FLOTATION OF 8" SEWER WHILE FILLING THE ANNULAR SPACE WITH FLO-ASH. PROVIDE DRAINS THROUGH BRICK BULKHEAD WHILE FILLING WITH FLO-ASH TO PREVENT POCKETS OF WATER IN CASING.

**MAINTENANCE OF TRAFFIC NOTES:**

1. PROVIDE 200 L.F. OF CONCRETE BARRIER PER MD SHA STANDARD DETAIL 648.33.
2. PLACE STEEL PLATING OVER ALL EXCAVATED TRENCHES IN ROADWAY WHEN CONSTRUCTION ACTIVITIES ARE NOT IN PROGRESS.
3. ALL TEMPORARY BARRIERS, SIGNS AND MAINTENANCE OF TRAFFIC OPERATIONS SHALL BE IN ACCORDANCE WITH THE MUTCD, PART IV, DATED DECEMBER 1993, AND THE MUTCD DATED 1988.



**PROFILE**

SCALE: HORIZ.: 1"=50'  
VERT.: 1"=5'

AS-BUILT  
10/29/99

DEPARTMENT OF PUBLIC WORKS  
HOWARD COUNTY, MARYLAND

3/6/99  
MICHAEL S. DIMONTE  
CHIEF, BUREAU OF UTILITIES

3-3-99  
D. J. DONOHUE  
CHIEF, UTILITY DESIGN DIVISION

WALLACE, MONTGOMERY & ASSOCIATES  
CIVIL AND STRUCTURAL ENGINEERS  
110 WEST ROAD  
TOWSON, MARYLAND 21204



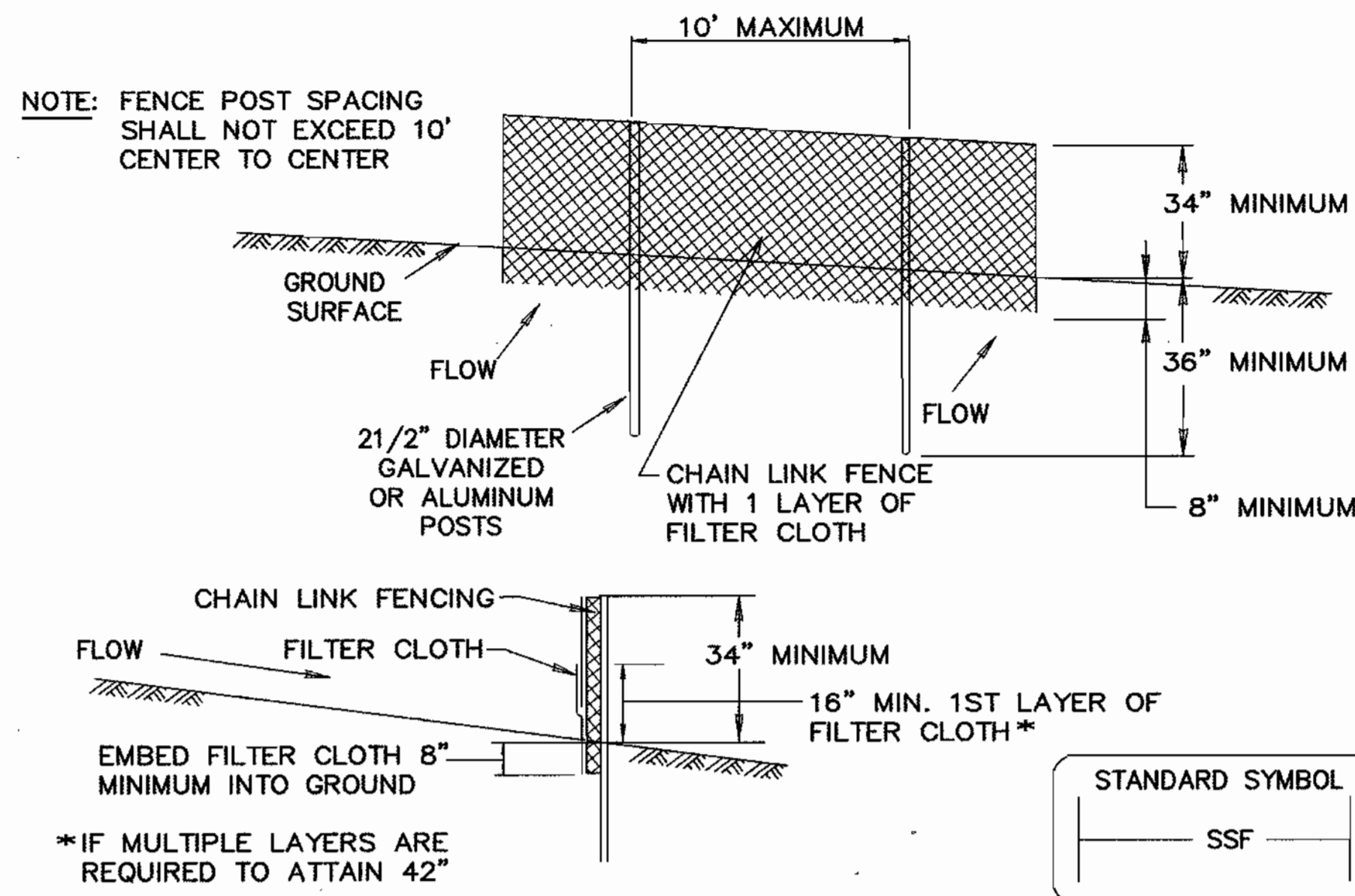
DES. L.A.F.	LAF	AS-BUILT REVISIONS	10/99
DRN: M.E.K.			
CHK: J.J.S.			
DATE: FEB. 1999	BY NO.	REVISION	DATE

PLAN AND PROFILE

600' SCALE MAP NO. 17 BLOCK NO. 12

OLD FREDERICK ROAD  
CAPITAL PROJECT S-6219  
CONTRACT NO. 10-3737  
ELECTION DISTRICT NO. 2  
HOWARD COUNTY, MARYLAND

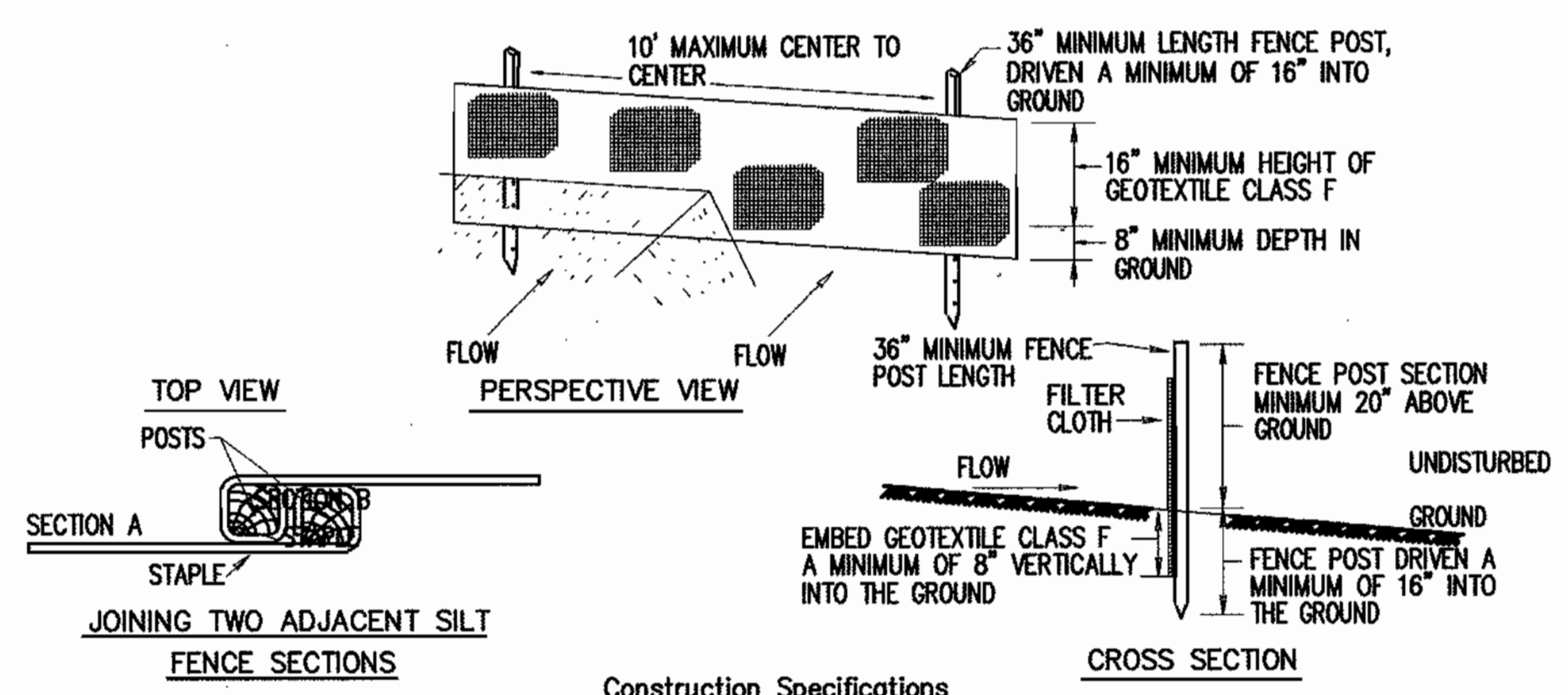
SCALE AS SHOWN  
SHEET 2 OF 3



- CONSTRUCTION SPECIFICATIONS**
- FENCING SHALL BE 42" IN HEIGHT AND CONSTRUCTED IN ACCORDANCE WITH THE LATEST MARYLAND STATE HIGHWAY DETAILS FOR CHAIN LINK FENCING. THE SPECIFICATION FOR A 6' FENCE SHALL BE USED, SUBSTITUTING 42" FABRIC AND 6' LENGTH POSTS.
  - CHAIN LINK FENCE SHALL BE FASTENED SECURELY TO THE FENCE POSTS WITH WIRE TIES. THE LOWER TENSION WIRE, BRACE AND TRUSS RODS, DRIVE ANCHORS AND POST CAPS ARE NOT REQUIRED EXCEPT ON THE ENDS OF THE FENCE.
  - FILTER CLOTH SHALL BE FASTENED SECURELY TO THE CHAIN LINK FENCE WITH TIES SPACED EVERY 24" AT THE TOP AND MID SECTION.
  - FILTER CLOTH SHALL BE EMBEDDED A MINIMUM OF 8" INTO THE GROUND.
  - WHEN TWO SECTIONS OF FILTER CLOTH ADJOIN EACH OTHER, THEY SHALL BE OVERLAPPED BY 6" AND FOLDED.
  - MAINTENANCE SHALL BE PERFORMED AS NEEDED AND SILT BUILDUPS REMOVED WHEN "BULGES" DEVELOP IN THE SILT FENCE, OR WHEN SILT REACHES 50% OF FENCE HEIGHT
  - FILTER CLOTH SHALL BE FASTENED SECURELY TO EACH FENCE POST WITH WIRE TIES OR STAPLES AT TOP AND MID SECTION AND SHALL MEET THE FOLLOWING REQUIREMENTS FOR GEOTEXTILE CLASS F:
- |                      |                           |                |
|----------------------|---------------------------|----------------|
| TENSILE STRENGTH     | 50 LBS/IN (MIN.)          | TEST: MSMT 509 |
| TENSILE MODULUS      | 20 LBS/IN (MIN.)          | TEST: MSMT 509 |
| FLOW RATE            | 0.3 GAL/FT /MINUTE (MAX.) | TEST: MSMT 322 |
| FILTERING EFFICIENCY | 75% (MIN.)                | TEST: MSMT 322 |

**SUPER SILT FENCE**

NOT TO SCALE



- Construction Specifications**
- Fence posts shall be a minimum of 36" long driven 16" minimum into the ground. Wood posts shall be 1 1/2" x 1 1/2" square (minimum) cut, or 1 3/4" diameter (minimum) round and shall be of sound quality hardwood. Steel posts will be standard T or U section weighting not less than 1.00 pond per linear foot.
  - Geotextile shall be fastened securely to each fence post with wire ties or staples at top and mid-section and shall meet the following requirements for Geotextile Class F:
- |                      |                            |                |
|----------------------|----------------------------|----------------|
| Tensile Strength     | 50 lbs/in (min.)           | Test: MSMT 509 |
| Tensile Modulus      | 20 lbs/in (min.)           | Test: MSMT 509 |
| Flow Rate            | 0.3 gal ft / minute (max.) | Test: MSMT 322 |
| Filtering Efficiency | 75% (min.)                 | Test: MSMT 322 |
- Where ends of geotextile fabric come together, they shall be overlapped, folded and stapled to prevent sediment bypass.
  - Silt Fence shall be inspected after each rainfall event and maintained when bulges occur or when sediment accumulation reached 50% of the fabric height.

**SILT FENCE**

NOT TO SCALE

**STANDARD SEDIMENT CONTROL NOTES**

- A MINIMUM OF 48 HOURS NOTICE MUST BE GIVEN TO THE HOWARD COUNTY DEPARTMENT OF INSPECTIONS, LICENSES AND PERMITS, SEDIMENT CONTROL DIVISION PRIOR TO THE START OF ANY CONSTRUCTION (410-313-1855).
- ALL VEGETATIVE AND STRUCTURAL PRACTICES ARE TO BE INSTALLED ACCORDING TO THE PROVISIONS OF THIS PLAN AND ARE TO BE IN CONFORMANCE WITH THE 1994 MARYLAND STANDARDS AND SPECIFICATIONS FOR SOIL EROSION AND SEDIMENT CONTROL AND REVISIONS THERETO.
- FOLLOWING INITIAL SOIL DISTURBANCE OR RE-DISTURBANCE, PERMANENT OR TEMPORARY STABILIZATION SHALL BE COMPLETED WITH: A.) 7 CALENDAR DAYS FOR ALL PERIMETER SEDIMENT CONTROL STRUCTURES, DIKES, PERIMETER SLOPES AND ALL SLOPES STEPPER THAN 3:1, B.) 14 DAYS AS TO ALL OTHER DISTURBED OR GRADED AREAS ON THE PROJECT SITE.
- ALL SEDIMENT TRAPS/BASINS SHOWN MUST BE FENCED AND WARNING SIGNS POSTED AROUND THEIR PERIMETER IN ACCORDANCE WITH VOL. 1, CHAPTER 7 OF THE HOWARD COUNTY DESIGN MANUAL, STORM DRAINAGE.
- ALL DISTURBED AREAS MUST BE STABILIZED WITHIN THE TIME PERIOD SPECIFIED ABOVE IN ACCORDANCE WITH THE 1994 MARYLAND STANDARDS AND SPECIFICATIONS FOR SOIL EROSION AND SEDIMENT CONTROL FOR PERMANENT SEEDING, SOD, TEMPORARY SEEDING AND MULCHING (SEC. G). TEMPORARY STABILIZATION WITH MULCH ALONE SHALL ONLY BE DONE WHEN RECOMMENDED SEEDING DATES DO NOT ALLOW FOR PROPER GERMINATION AND ESTABLISHMENT OF GRASSES.
- ALL SEDIMENT CONTROL STRUCTURES ARE TO REMAIN IN PLACE AND ARE TO BE MAINTAINED IN OPERATIVE CONDITION UNTIL PERMISSION FOR THEIR REMOVAL HAS BEEN OBTAINED FROM THE HOWARD COUNTY SEDIMENT CONTROL INSPECTOR.
- SITE ANALYSIS:
 

TOTAL AREA OF SITE	=	-	ACRES
AREA DISTURBED	=	.22	ACRES
AREA TO BE ROOFED OR PAVED	=	.01	ACRES
AREA TO BE VEGETATIVELY STABILIZED	=	.21	ACRES
TOTAL CUT	=	-	CU./YDS.
TOTAL FILL	=	-	CU./YDS.

 OFF SITE WASTE/BORROW AREA LOCATION: AS DIRECTED BY ENGINEER
- ANY SEDIMENT CONTROL PRACTICE WHICH IS DISTURBED BY GRADING ACTIVITY FOR PLACEMENT OF UTILITIES MUST BE REPAIRED ON THE SAME DAY OF DISTURBANCE.
- ADDITIONAL SEDIMENT CONTROL MUST BE PROVIDED, IF DEEMED NECESSARY BY THE HOWARD COUNTY SEDIMENT CONTROL INSPECTOR.
- ON ALL SITES WITH DISTURBED AREAS IN EXCESS OF 2 ACRES, APPROVAL OF THE THE INSPECTION AGENCY SHALL BE REQUESTED UPON COMPLETION OF INSTALLATION OF PERIMETER EROSION AND SEDIMENT CONTROLS, BUT BEFORE PROCEEDING WITH ANY OTHER EARTH DISTURBANCE OR GRADING. OTHER BUILDING OR GRADING INSPECTION APPROVALS MAY NOT BE AUTHORIZED UNTIL THIS INITIAL APPROVAL BY THE INSPECTION AGENCY IS MADE.
- TRENCHES FOR THE CONSTRUCTION OF UTILITIES IS LIMITED TO THREE PIPE LENGTHS OR THAT WHICH SHALL BE BACKFILLED AND STABILIZED WITHIN ONE WORKING DAY, WHICHEVER IS SHORTER.
- SPOIL FROM THE TRENCHING OPERATION IS TO BE PLACED ON THE UPHILL SIDE OF THE TRENCH.

**SEQUENCE OF CONSTRUCTION**

- OBTAIN A GRADING PERMIT.
- CONTACT HOWARD COUNTY BUREAU OF CONSTRUCTION INSPECTION DIVISION (410-313-1870) PRIOR TO STARTING DATE. (4 DAYS)
- INSTALL EROSION AND SEDIMENT CONTROL DEVICES AS PER SECTION 219 OF THE HOWARD COUNTY DESIGN MANUAL VOL. IV. (2 DAYS)
- EXCAVATE AND INSTALL PROPOSED 8" SEWER MAIN (21 DAYS)
- RESTORE TRENCHES TO THEIR ORIGINAL CONDITION AS PER HOWARD COUNTY STANDARDS WITH TEMPORARY PAVING HOWARD COUNTY STANDARD SPECIFICATION. (2 DAYS)
- UPON PERMISSION FROM HOWARD COUNTY SEDIMENT CONTROL INSPECTION, REMOVE SEDIMENT CONTROL DEVICES. (1 DAY)
- INSTALL PERMANENT PAVING PATCH OVER TRENCH. (2 DAYS)

**TEMPORARY SEEDING NOTES**

APPLY TO GRADED OR CLEARED AREAS LIKELY TO BE REDISTURBED WHERE A SHORT-TERM VEGETATIVE COVER IS NEEDED.

**SEEDBED PREPARATION** - LOOSEN UPPER THREE INCHES OF SOIL BY RAKING, DISKING OR OTHER ACCEPTABLE MEANS BEFORE SEEDING, IF NOT PREVIOUSLY LOOSENED.

**SOIL AMENDMENTS** - APPLY 60 LBS PER ACRE 10-10-10 FERTILIZER (14 LBS/1000 SQ.FT.).

**SEEDING** - FOR PERIODS MARCH 1 THRU APRIL 30 AND FROM AUGUST 15 THRU OCTOBER 15, SEED WITH 2-1/2 BUSHEL PER ACRE OF ANNUAL RYE (3.2 LBS/1000 SQ. FT.). FOR THE PERIOD MAY 1 THRU AUGUST 14, SEED WITH 3 LBS PER ACRE OF WEEPING LOVEGRASS (0.07 LBS/1000 SQ. FT.). FOR THE PERIOD NOVEMBER 16 THRU FEBRUARY 28, PROTECT SITE BY APPLYING 2 TONS PER ACRE OF WELL ANCHORED STRAW MULCH AND SEED AS SOON AS POSSIBLE IN THE SPRING, OR USE SOD.

**MULCHING** - APPLY 1-1/2 TO 2 TONS PER ACRE (70 TO 90 LBS/1000 SQ. FT.) OF UNROTTED SMALL GRAIN STRAW IMMEDIATELY AFTER SEEDING. ANCHOR MULCH IMMEDIATELY AFTER APPLICATION USING MULCH ANCHORING TOOL OR 218 GAL PER ACRE (5 GAL/1000 SQ. FT.) OF EMULSIFIED ASPHALT ON FLAT AREAS. ON SLOPES 8 FT OR HIGHER, USE 348 GAL PER ACRE (8 GAL/1000 SQ. FT.) FOR ANCHORING.

REFER TO THE "1983 MARYLAND STANDARDS AND SPECIFICATIONS FOR SOIL EROSION AND SEDIMENT CONTROL" FOR RATE AND METHODS NOT COVERED.

**PERMANENT SEEDING NOTES**

APPLY TO GRADED OR CLEARED AREAS NOT SUBJECT TO IMMEDIATE FURTHER DISTURBANCE WHERE A PERMANENT LONG-LIVED VEGETATIVE COVER IS NEEDED.

**SEEDBED PREPARATION:** LOOSEN UPPER THREE INCHES OF SOIL BY RAKING, DISKING OR OTHER ACCEPTABLE MEANS BEFORE SEEDING, IF NOT PREVIOUSLY LOOSENED.

**SOIL AMENDMENTS:** IN LIEU OF SOIL TEST RECOMMENDATIONS, USE ONE OF THE FOLLOWING SCHEDULES:

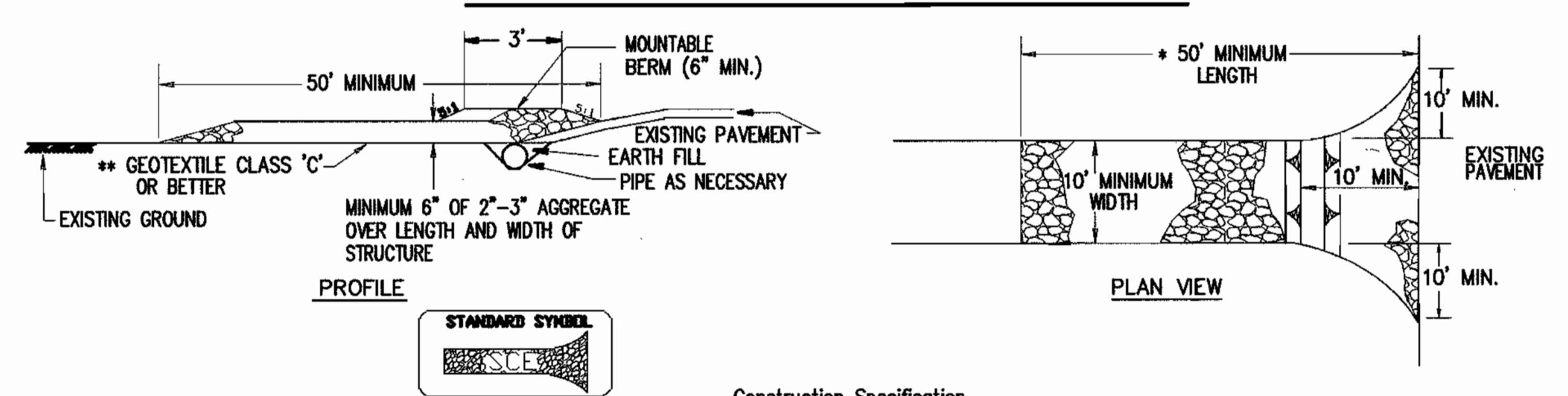
- PREFERRED** - APPLY 2 TONS PER ACRES DOLOMITIC LIMESTONE (92 LBS/1000 SQ. FT.) AND 600 LBS PER ACRE 10-10-10 FERTILIZER (14 LBS/1000 SQ. FT.) BEFORE SEEDING. HARROW OR DISK INTO UPPER THREE INCHES OF SOIL. AT TIME OF SEEDING, APPLY 400 LBS PER ACRE 30-0-0 UREAFORM FERTILIZER (9 LBS/1000 SQ. FT.)
- ACCEPTABLE** - APPLY 2 TONS PER ACRE DOLOMITIC LIMESTONE (92 LBS/1000 SQ. FT.) AND 1000 LBS PER ACRE 10-10-10 FERTILIZER (23 LBS/1000 SQ. FT.) BEFORE SEEDING. HARROW OR DISK INTO UPPER THREE INCHES OF SOIL.

**SEEDING** - FOR THE PERIODS MARCH 1 THRU APRIL 30, AND AUGUST 1 THRU OCTOBER 15, SEED WITH 60 LBS PER ACRE (1.4 LBS/1000 SQ. FT.) OF KENTUCKY 31 TALL FESCUE. FOR THE PERIOD MAY 1 THRU JULY 31, SEED WITH 60 LBS KENTUCKY 31 TALL FESCUE PER ACRE AND 2 LBS PER ACRE (0.05 LBS/1000 SQ. FT.) OF WEEPING LOVEGRASS. DURING THE PERIOD OF OCTOBER 16 THRU FEBRUARY 28, AS POSSIBLE IN THE SPRING. OPTION (2) USE SOD. OPTION (3) SEED WITH 60 LBS/ACRE KENTUCKY 31 TALL FESCUE AND MULCH WITH 2 TONS/ACRE WELL ANCHORED STRAW.

**MULCHING** - APPLY 1-1/2 TO 2 TONS PER ACRE (70 TO 90 LBS/1000 SQ. FT.) OF UNROTTED SMALL GRAIN STRAW IMMEDIATELY AFTER SEEDING. ANCHOR MULCH IMMEDIATELY AFTER APPLICATION USING MULCH ANCHORING TOOL OR 218 GALLONS PER ACRE (5 GAL/1000 SQ. FT.) OF EMULSIFIED ASPHALT ON FLAT AREAS. ON SLOPES 8 FEET OR HIGHER, USE 348 GALLONS PER ACRE (8 GAL/1000 SQ. FT.) FOR ANCHORING.

**MAINTENANCE** - INSPECT ALL SEEDED AREAS AND MAKE NEEDED REPAIRS, REPLACEMENTS AND RESEEDINGS.

**STABILIZED CONSTRUCTION ENTRANCE**



- Construction Specification**
- Length - minimum of 50' (\*30' for single residence lot).
  - Width - 10' minimum, should be flared at the existing road to provide a turning radius.
  - Geotextile fabric (filter cloth) shall be placed over the existing ground prior to placing stone. \*\*The plan approval authority may not require single family residences to use geotextile.
  - Stone - crushed aggregate (2" to 3") or reclaimed or recycled concrete equivalent shall be placed at least 6" deep over the length and width of the entrance.
  - Surface Water - all surface water flowing to or diverted toward construction entrances shall be piped through the entrance, maintaining positive drainage. Pipe installed through the stabilized construction entrance shall be protected with a mountable berm with 5:1 slopes and a minimum of 6" of stone over the pipe. Pipe has to be sized according to the drainage. When the SCE is located at a high spot and has no drainage to convey a pipe will not be necessary. Pipe should be sized according to the amount of runoff to be conveyed. A 6" minimum will be required.
  - Location - A stabilized construction entrance shall be located at every point where construction traffic enters or leaves a construction site. Vehicles leaving the site must travel over the entire length of the stabilized construction entrance.

AS-BUILT  
10/29/99

DEPARTMENT OF PUBLIC WORKS HOWARD COUNTY, MARYLAND Director of Public Works: <i>James J. Lewis</i> 3/6/99 Chief, Bureau of Engineering: <i>Richard Spon</i> 3-3-99 Chief, Bureau of Utilities: <i>Michael Duran</i> 3-4-99 Chief, Utility Design Division: <i>John</i> 3-3-99		WALLACE, MONTGOMERY & ASSOCIATES CIVIL AND STRUCTURAL ENGINEERS 110 WEST ROAD TOWSON, MARYLAND 21204 State of Maryland Professional Engineer Seal: <i>Joseph</i> 2-12-99	DES: DED DRN: DED CHK: JJS DATE: FEB 1999	LAF AS-BUILT REVISIONS 10/99	SEDIMENT CONTROL NOTES & DETAILS 600' SCALE MAP NO. 17 BLOCK NO. 12	OLD FREDERICK ROAD CAPITAL PROJECT S-6219 CONTRACT NO. 10-3737 ELECTION DISTRICT NO. 2 HOWARD COUNTY, MARYLAND	SCALE AS SHOWN SHEET 3 OF 3
--	--	--	--	------------------------------------	--	--	--------------------------------