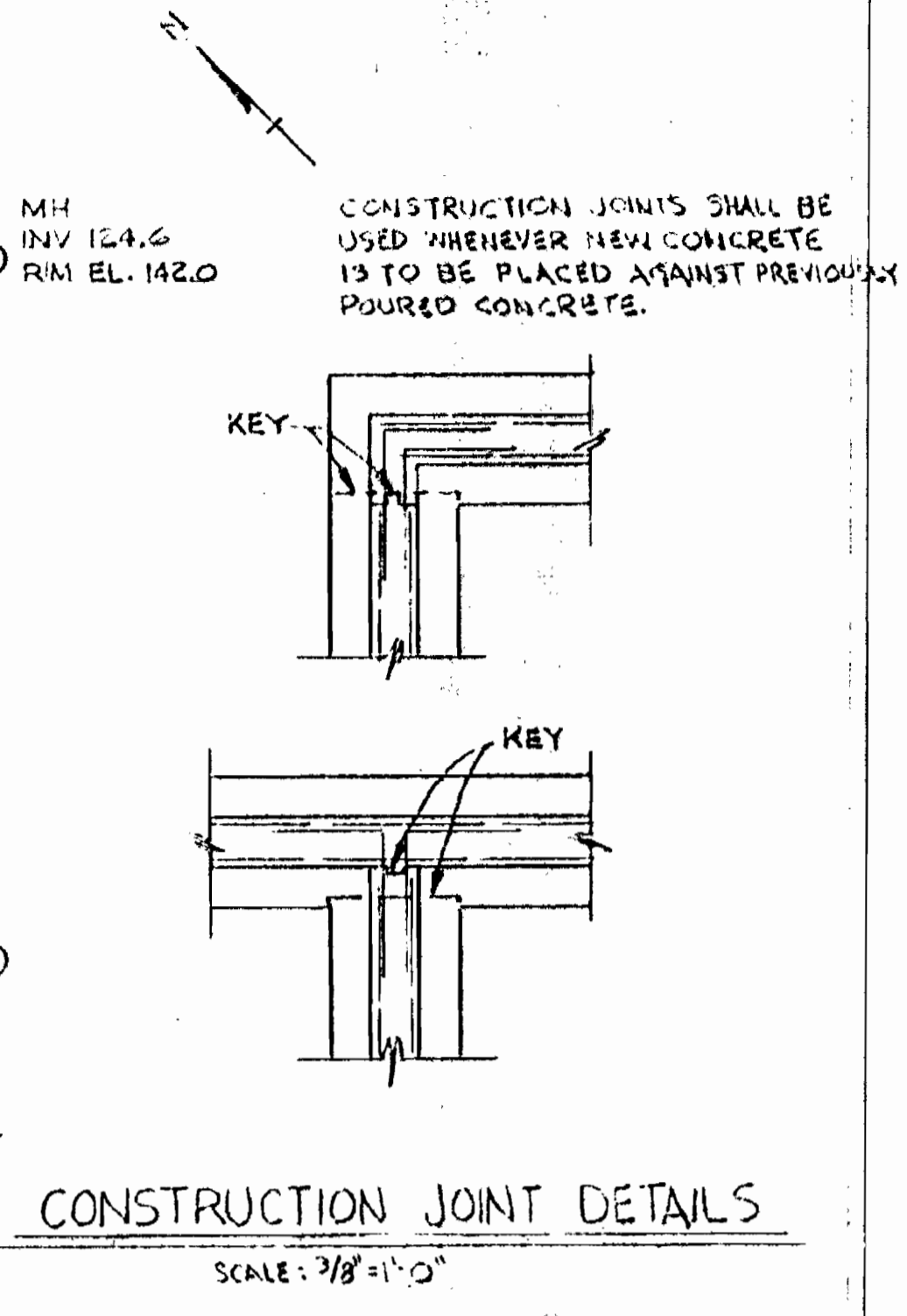
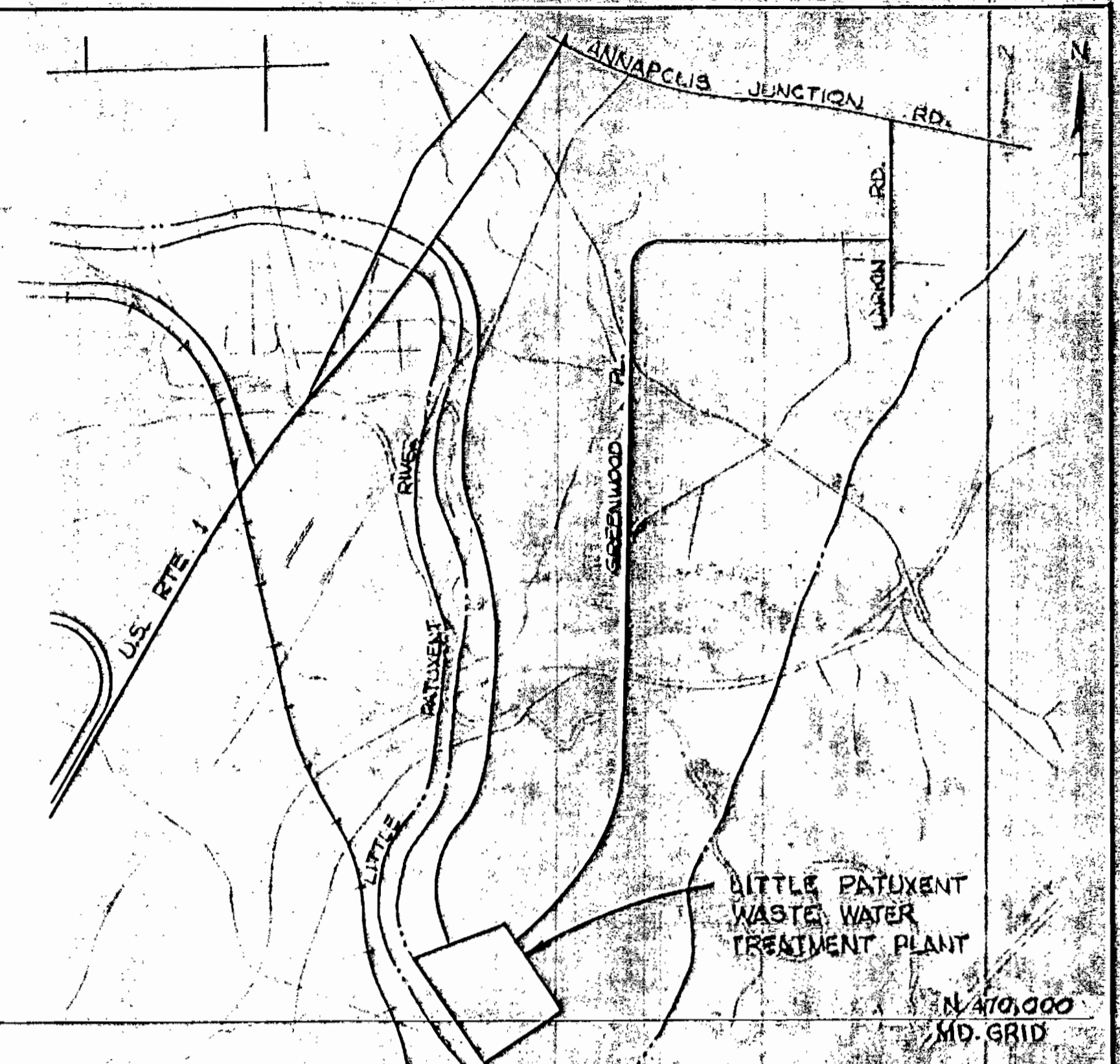


EXIST. SLUDGE DRYING BEDS
DEMOLITION PLAN
1:20



CONSTRUCTION JOINT DETAILS
SCALE: 3/8" = 1'-0"

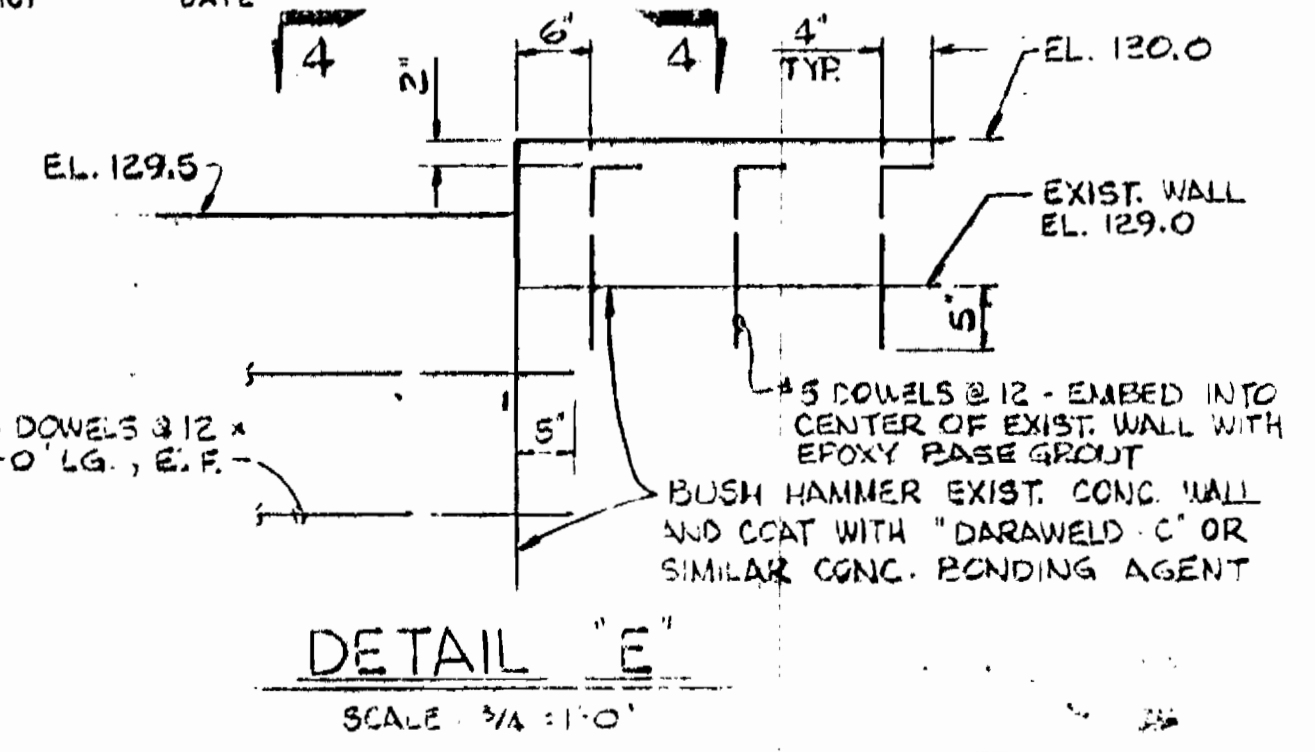


VICINITY PLAN
1:500

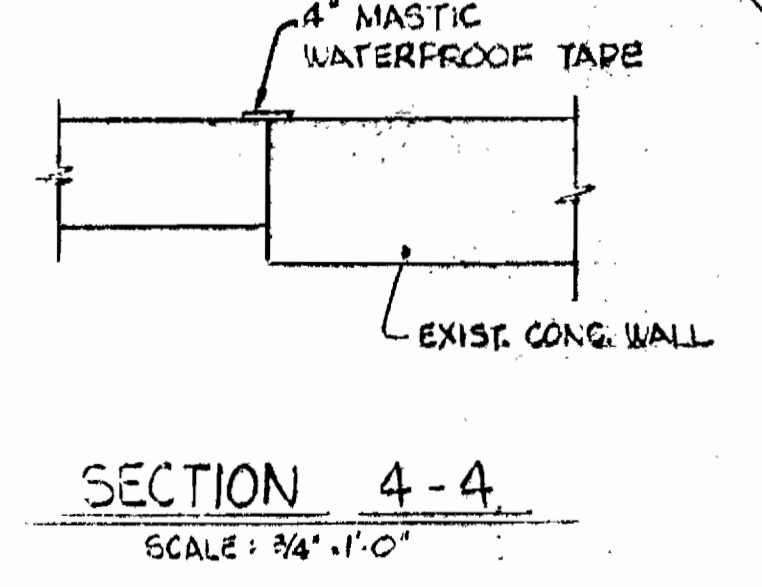
- NOTES:**
1. THE EXISTING TRUCK WASHING PAD AND ASSOCIATED PIPING SHALL REMAIN ACCESSIBLE AND USABLE AT ALL TIMES, WITH THE EXCEPTION OF PERIODS REQUIRED FOR RAMP CONSTRUCTION. THE COUNTY SHALL BE NOTIFIED PRIOR TO INITIATION OF RAMP CONSTRUCTION OF THE DURATION OF WASHING PAD OUTAGE.
 2. THE EXISTING SLUDGE STORAGE BIN MAY BE USED BY THE CONTRACTOR FOR CONSTRUCTION MATERIAL STORAGE. UPON COMPLETION OF USE FOR THIS PURPOSE, THE BIN SHALL BE CLEANED AND THE AREA PAVED IN ACCORDANCE WITH THESE CONTRACT DOCUMENTS.
 3. THE EXISTING SLUDGE DRAW OFF SHALL BE REALIGNED AND CHECKED FOR STRUCTURAL INTEGRITY.
 4. EXISTING SUBSURFACE PIPING LOCATIONS SHOWN ON THESE PLANS ARE APPROXIMATE. THE CONTRACTOR SHALL VERIFY LOCATIONS OF EXISTING UTILITIES PRIOR TO CONSTRUCTION. THE CONTRACTOR SHALL EXERCISE CARE DURING ALL EXCAVATION AND REHABILITATION TO PREVENT DAMAGE TO PIPING WHICH IS TO BE RETAINED AND DAMAGES DONE TO EXISTING PIPES WHICH ARE TO BE RETAINED SHALL BE REPAIRED BY THE CONTRACTOR IMMEDIATELY WITHOUT ADDITIONAL COMPENSATION.
 5. ALL HORIZONTAL CONTROLS ARE BASED ON MARYLAND STATE COORDINATES.
 6. ALL VERTICAL CONTROLS ARE BASED ON U.S.C.O.S. DATUM.
 7. ALL PIPE ELEVATIONS ARE INVERT ELEVATIONS UNLESS OTHERWISE NOTED.
 8. FOR DETAILS, MATERIALS AND CONSTRUCTION METHODS NOT SHOWN ON THE DRAWINGS USE HOWARD COUNTY DESIGN MANUAL, VOLUME IV, STANDARD SPECIFICATIONS AND DETAILS FOR CONSTRUCTION.

REVIEWED FOR HOWARD COUNTY SOIL CONSERVATION DISTRICT AND MEETS TECHNICAL REQUIREMENTS.
James M. Kelly 8/11/82
 U.S. SOIL CONSERVATION SERVICE DATE

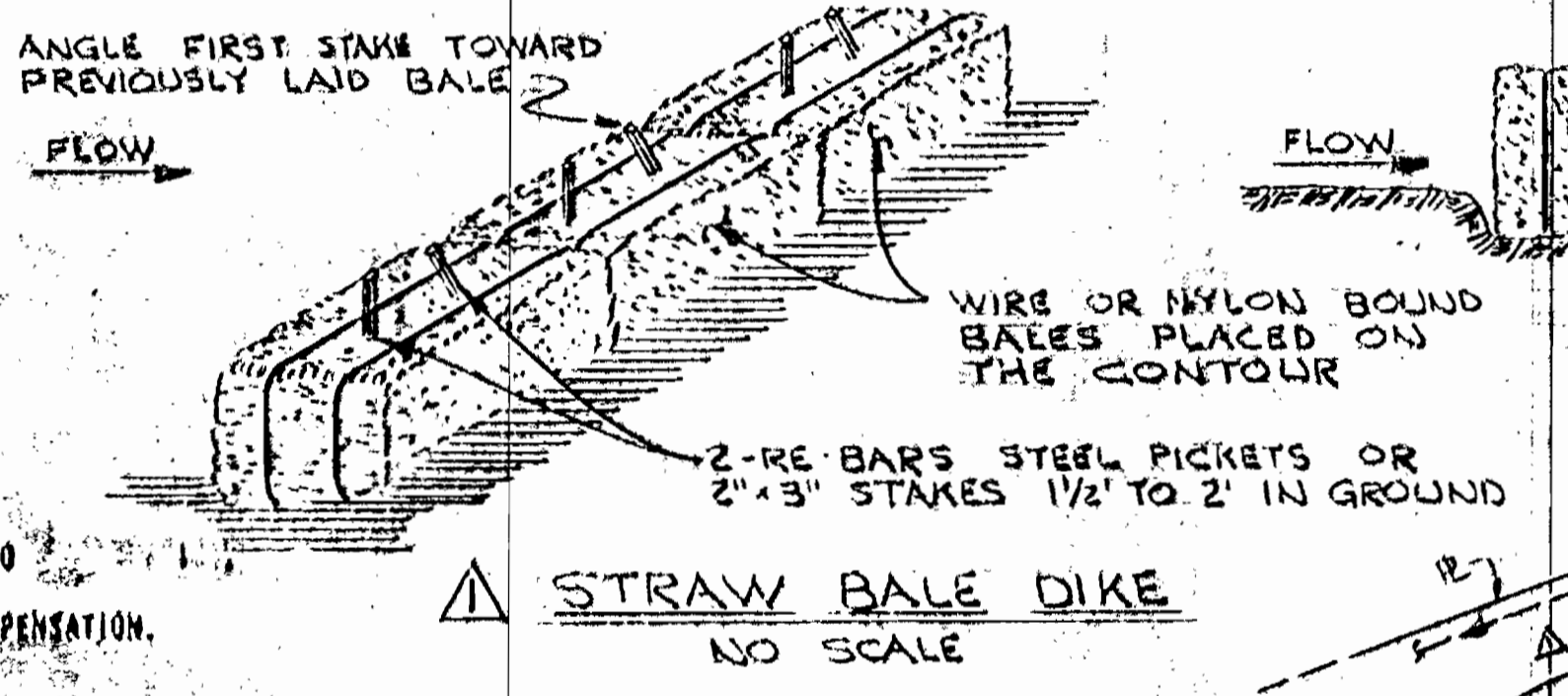
THIS PLAN IS APPROVED FOR EROSION AND SEDIMENT CONTROL BY THE HOWARD SOIL CONSERVATION DISTRICT.
 APPROVED: *William J. Rowe* 8/11/82
 HOWARD SOIL CONSERVATION DISTRICT DATE



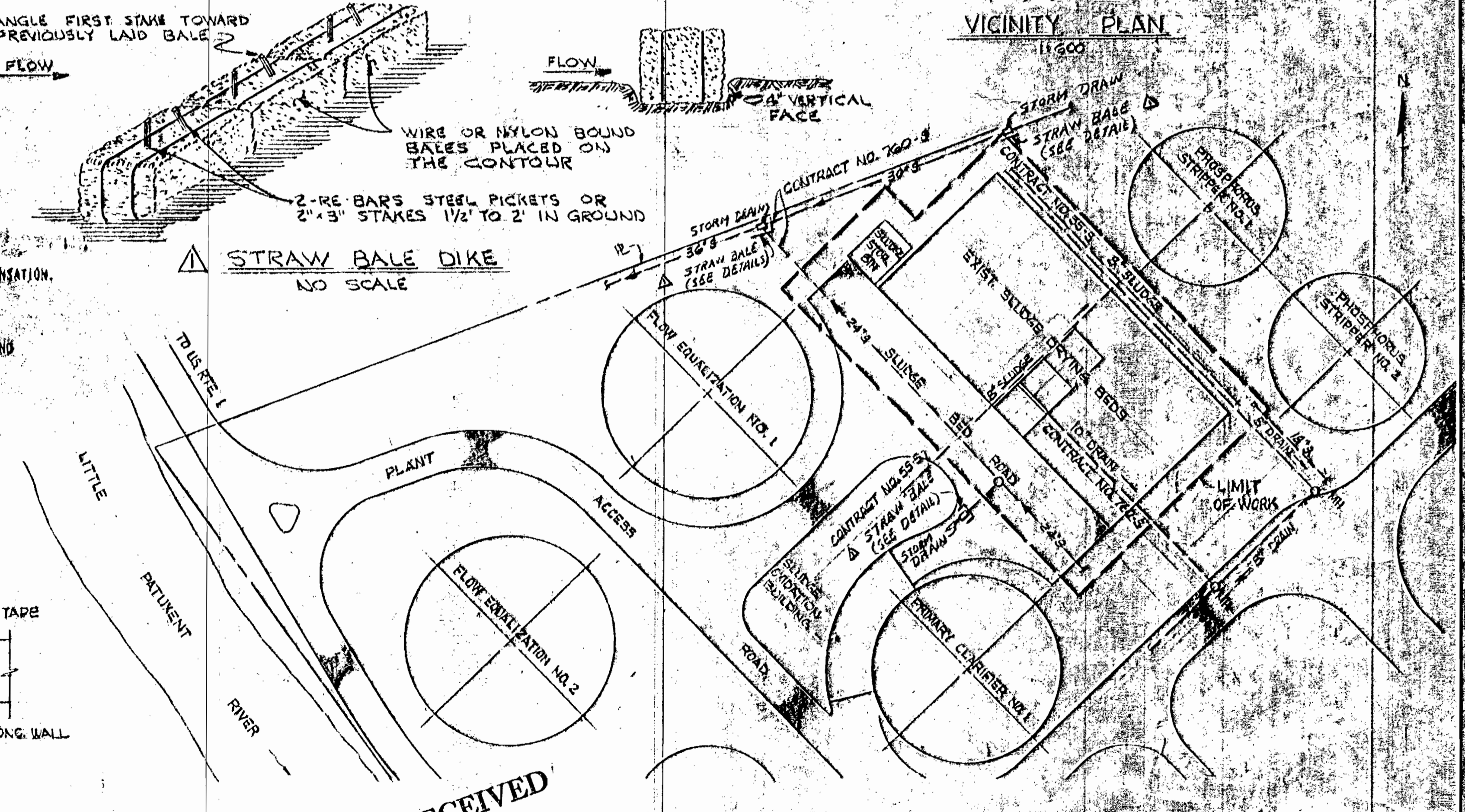
DETAIL 'E'
SCALE: 3/4" = 1'-0"



SECTION 4-4
SCALE: 3/4" = 1'-0"



STRAW BALE DIKE
NO SCALE



WASTEWATER TREATMENT PLANT
PARTIAL PLAN
1:50



GILBERT ASSOCIATES, INC.
 ENGINEERS AND CONSULTANTS
 EXECUTIVE PLAZA TWO HUNT VALLEY, MD. 21013

DEPARTMENT OF PUBLIC WORKS
 HOWARD COUNTY MARYLAND

Wm. F. Nunn 3-18-82
 DIRECTOR OF PUBLIC WORKS DATE

Allen J. Brown 3/17/84
 CHIEF BUREAU OF ENVIRONMENTAL SERVICES DATE

Allen J. Brown 3/17/84
 CHIEF UTILITY DIVISION DATE

CAPITAL PROJECT S-1-6118
 CONTRACT No. 20-1039

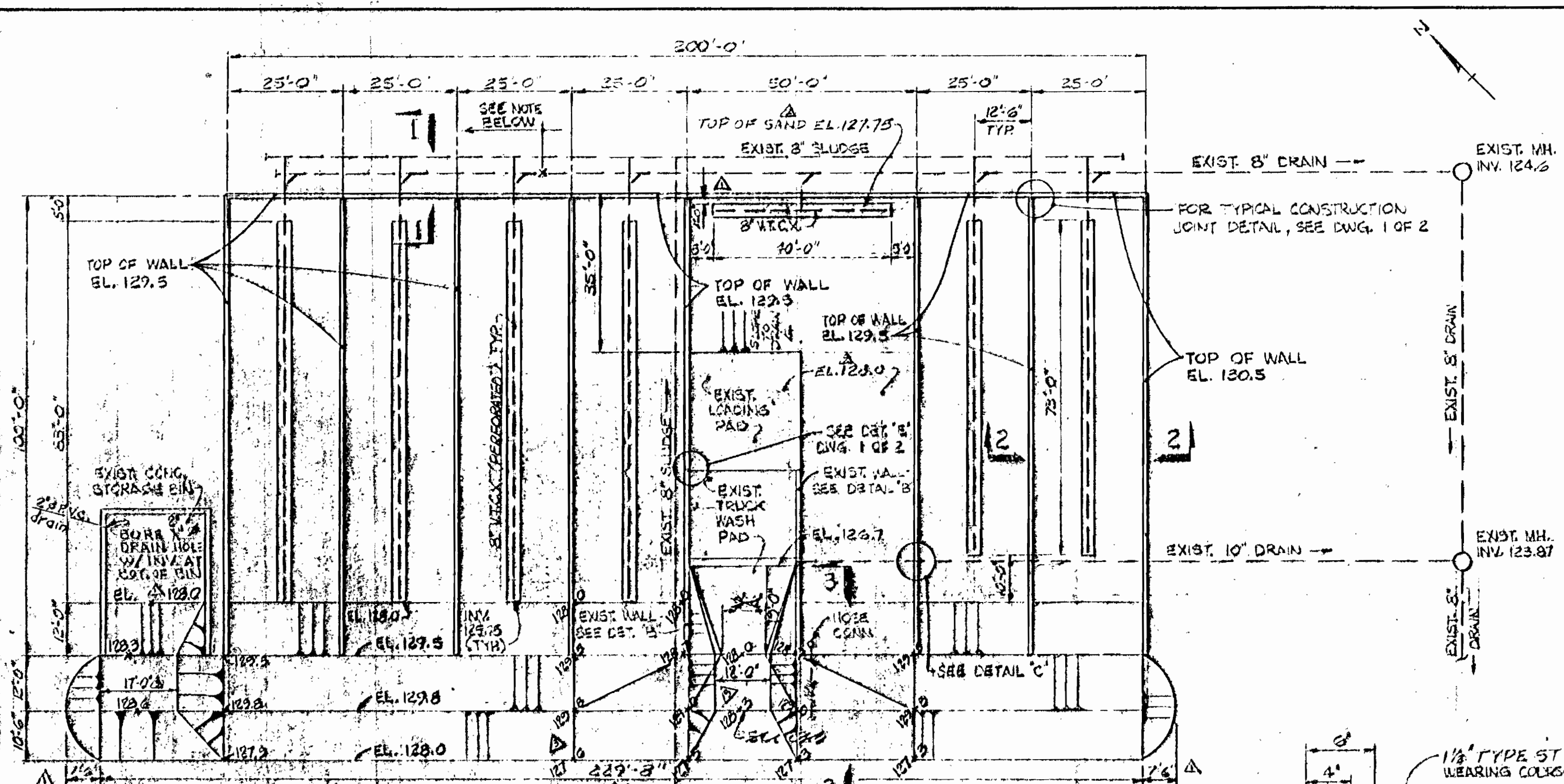
GENERAL PLAN AND
 DEMOLITION PLAN

LITTLE PATUXENT
 WASTE WATER TREATMENT PLANT
 SLUDGE BED REHABILITATION

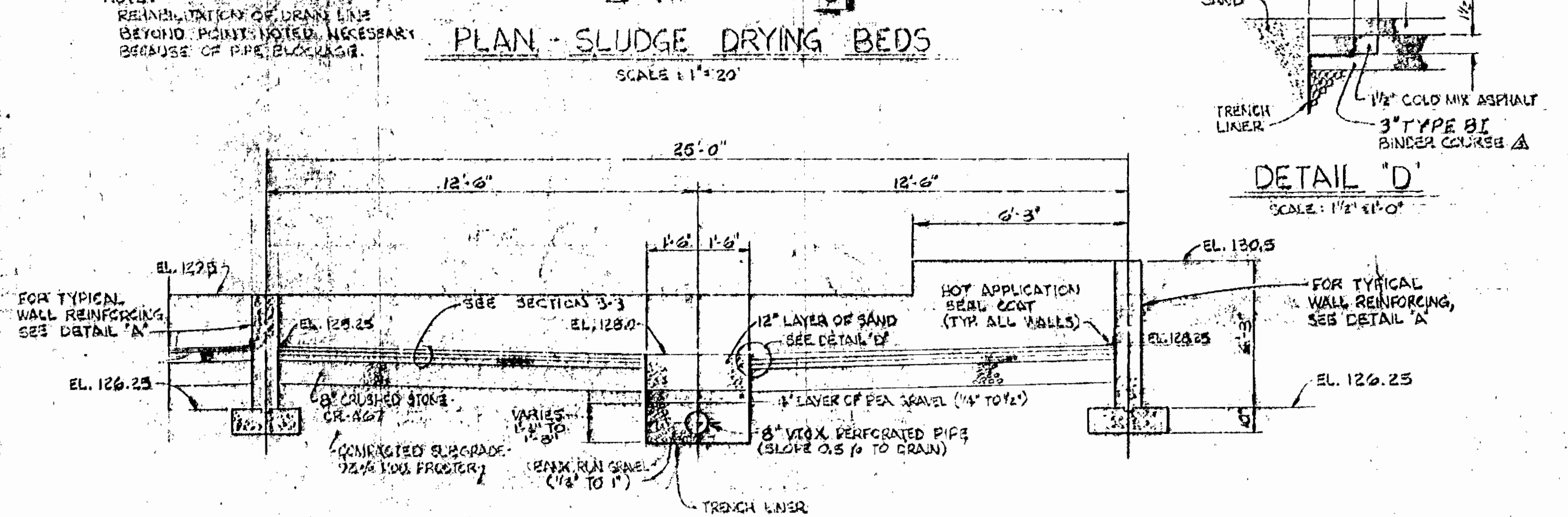
DRAWING NO. 1 OF 2
 SCALE AS BUILT MAR. 1, 1984

RECEIVED
 MAR 6 1984
 BUREAU OF UTILITIES
 DEPARTMENT OF PUBLIC WORKS

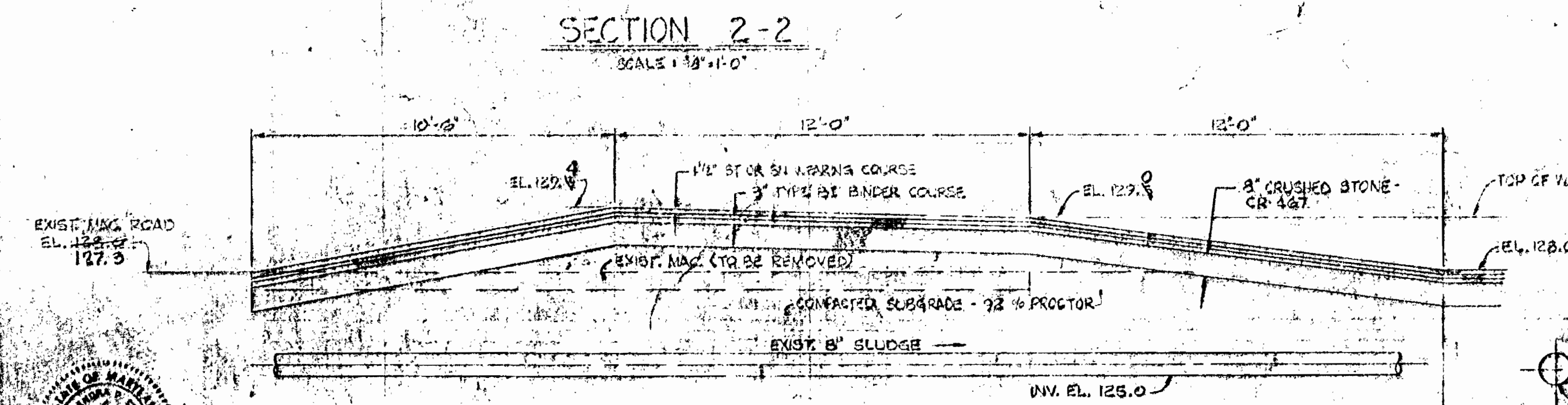
As-Built 3/17/84 GRID 47



PLAN - SLUDGE DRYING BEDS
SCALE: 1" = 20'



SECTION 2-2
SCALE: 3/8" = 1'-0"



SECTION 3-3
SCALE: 3/8" = 1'-0"



TERRAQUA Resources Corporation
Executive Plaza Two
Hunt Valley, MD. 21031

DEPARTMENT OF PUBLIC WORKS
HOWARD COUNTY MARYLAND

3-18-82
DIRECTOR OF PUBLIC WORKS DATE
3-18-82
CHIEF BUREAU OF ENGINEERING DATE
3-18-82
CHIEF BUREAU OF ENVIRONMENTAL SERVICES DATE
3-18-82
CHIEF UTILITY DIVISION DATE

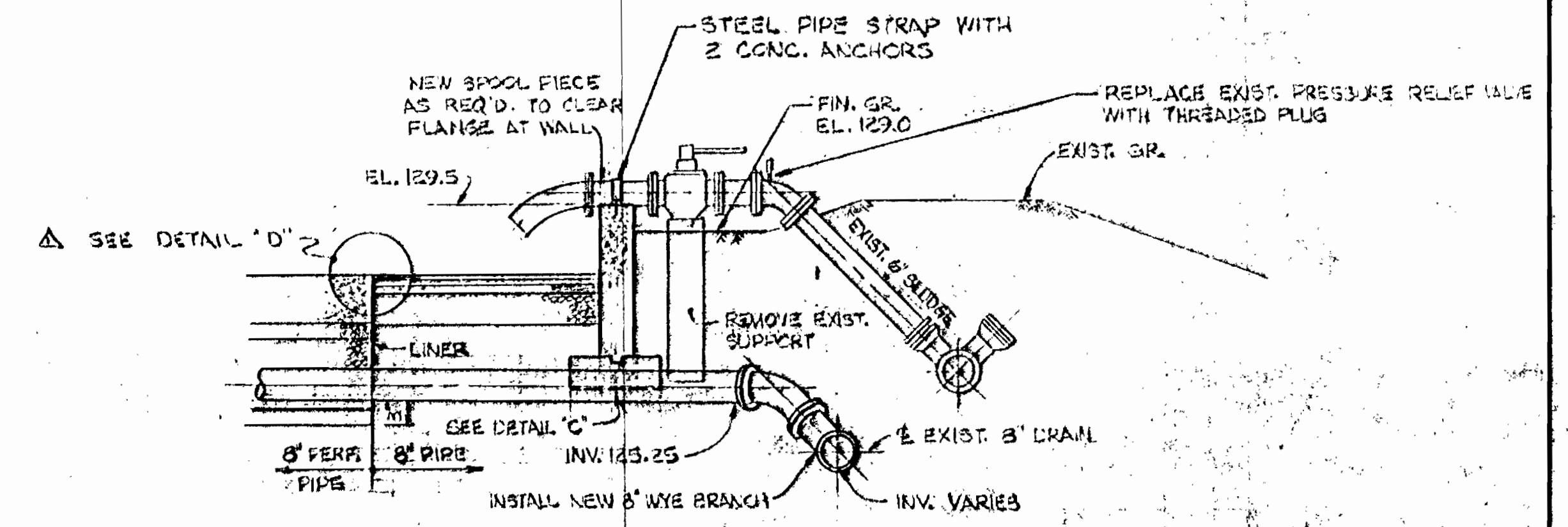
CAPITAL PROJECT 9-1-6118
CONTRACT No. 20-1039

PLAN AND DETAILS

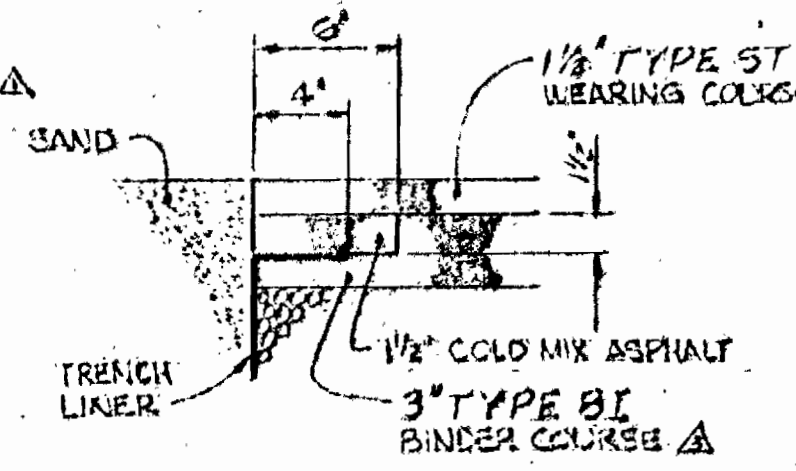
LITTLE PATUXENT
WASTE WATER TREATMENT PLANT
SLUDGE BED REHABILITATION

DRAWING NO. 2 OF 2

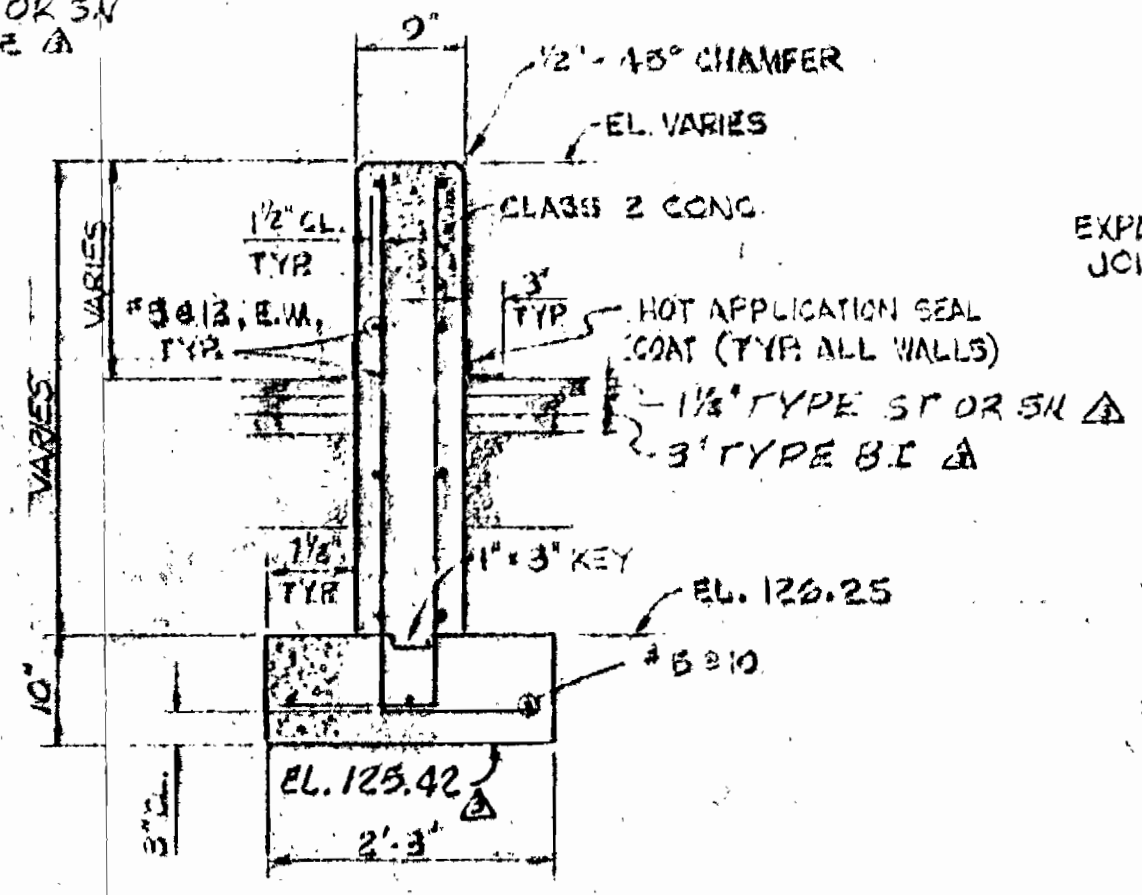
SCALE AS BUILT MAR. 1, 1984



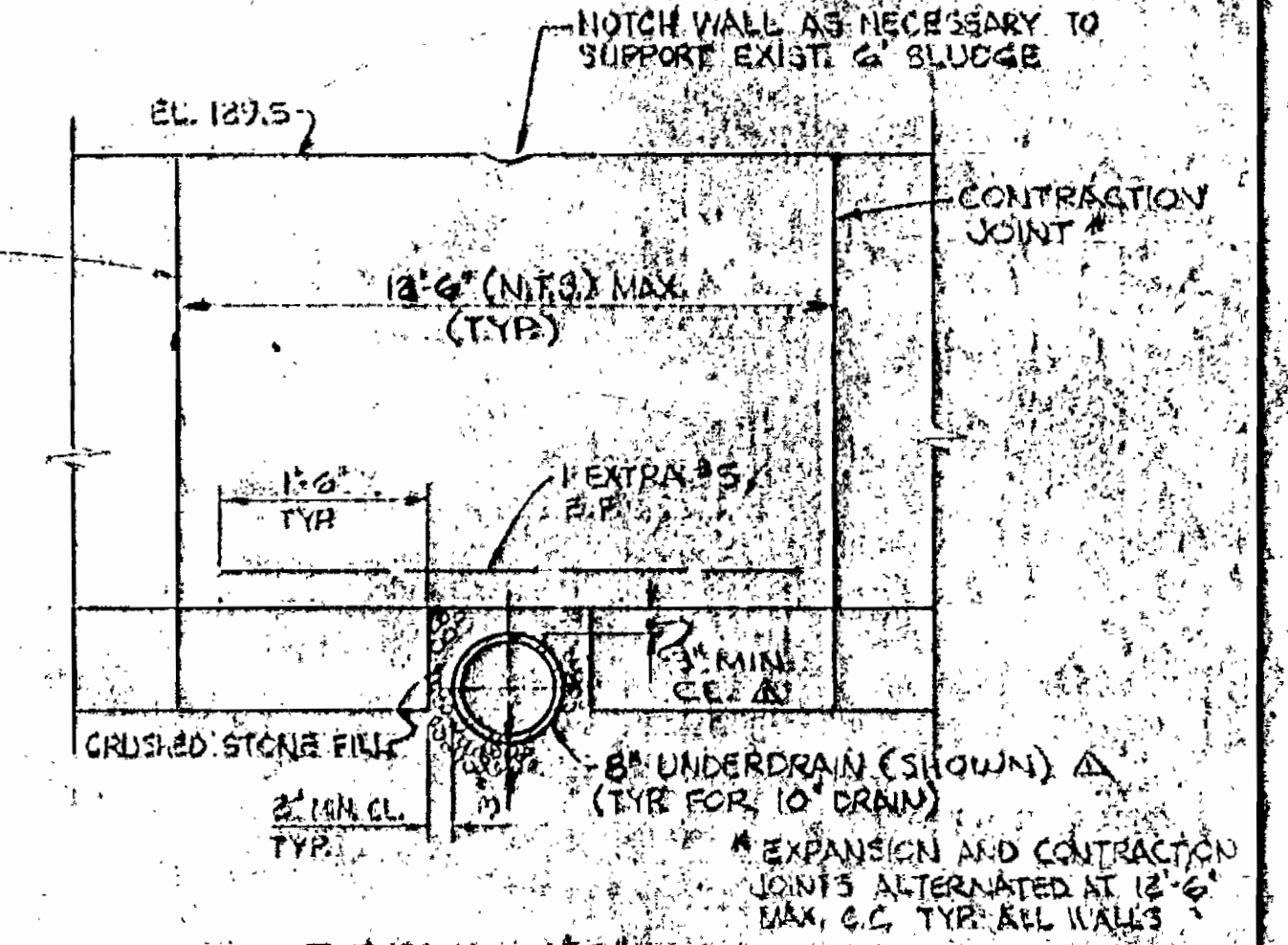
SECTION 1-1
SCALE: 3/8" = 1'-0"



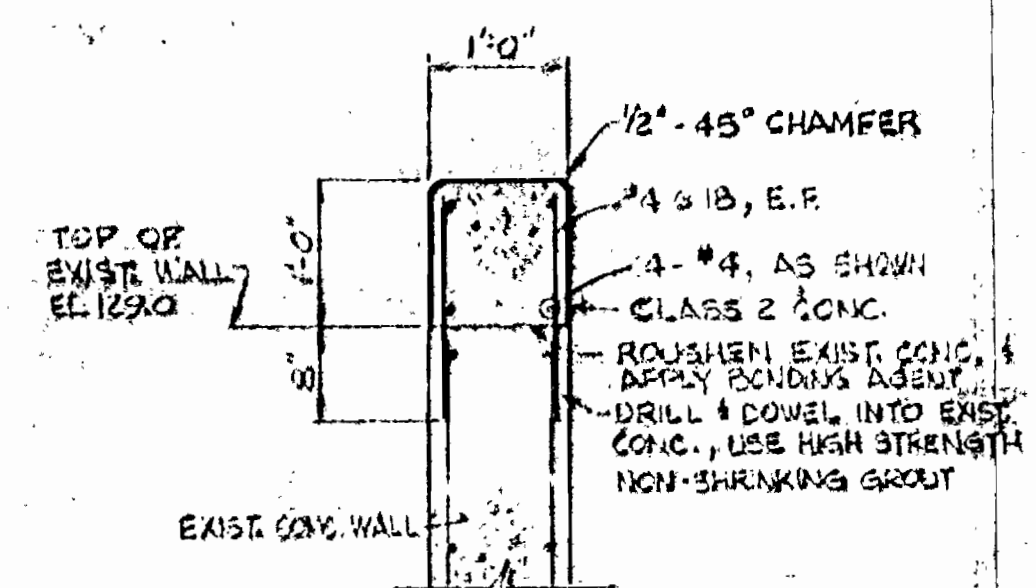
DETAIL D
SCALE: 1/2" = 1'-0"



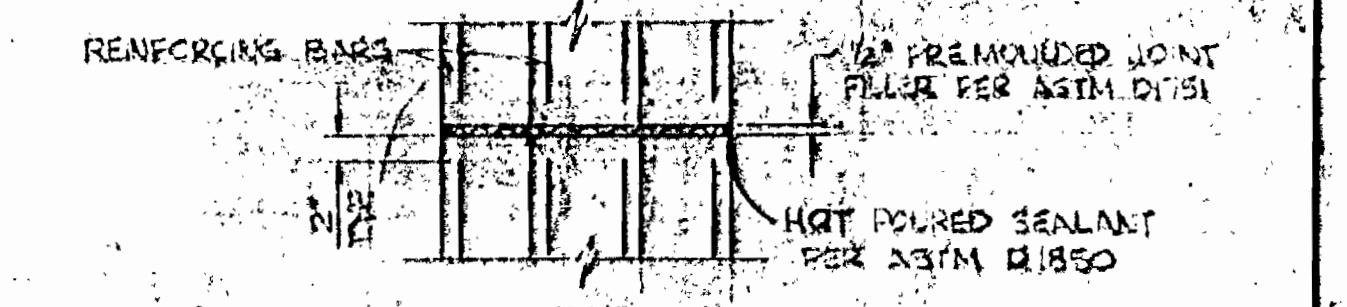
DETAIL A
SCALE: 3/4" = 1'-0"



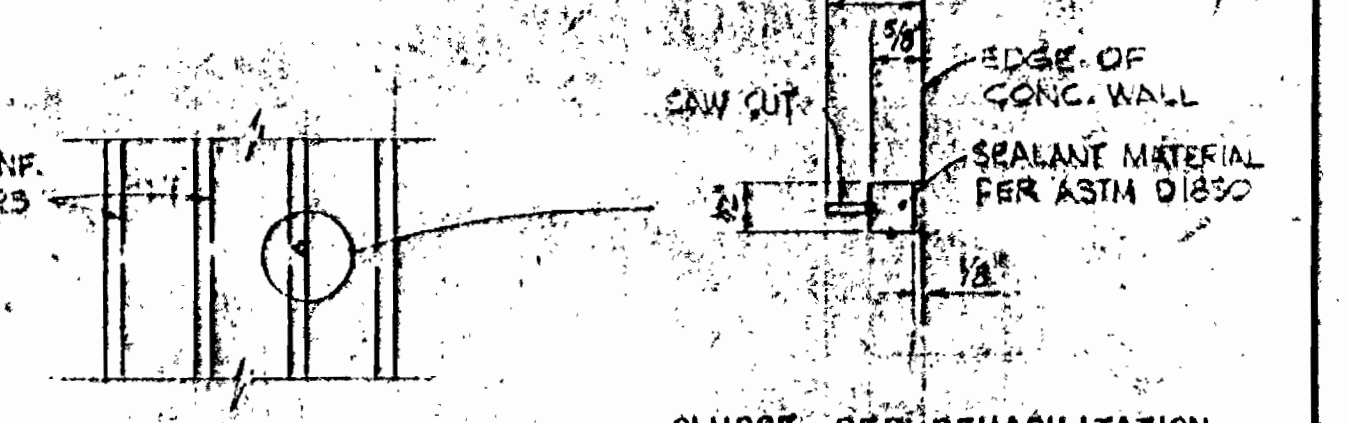
DETAIL C
SCALE: 3/4" = 1'-0"



DETAIL B
SCALE: 3/4" = 1'-0"



EXPANSION JOINT DETAIL
SCALE: 3/4" = 1'-0"



CONTRACTION JOINT DETAIL
SCALE: 3/4" = 1'-0"

SLUDGE BED REHABILITATION
CAPITAL PROJECT 9-1-6118
CONTRACT No. 20-1039
EPA NO. C-240347-04

AS BUILT MAR. 1, 1984