

BENCH MARKS

W.R.#A. B.M.#C-6 Elev. 290.54
 R.R. Spike in 8" Cherry 130' ± NE of
 P.I.#W-185, 25' ± W of t Deep Creek.

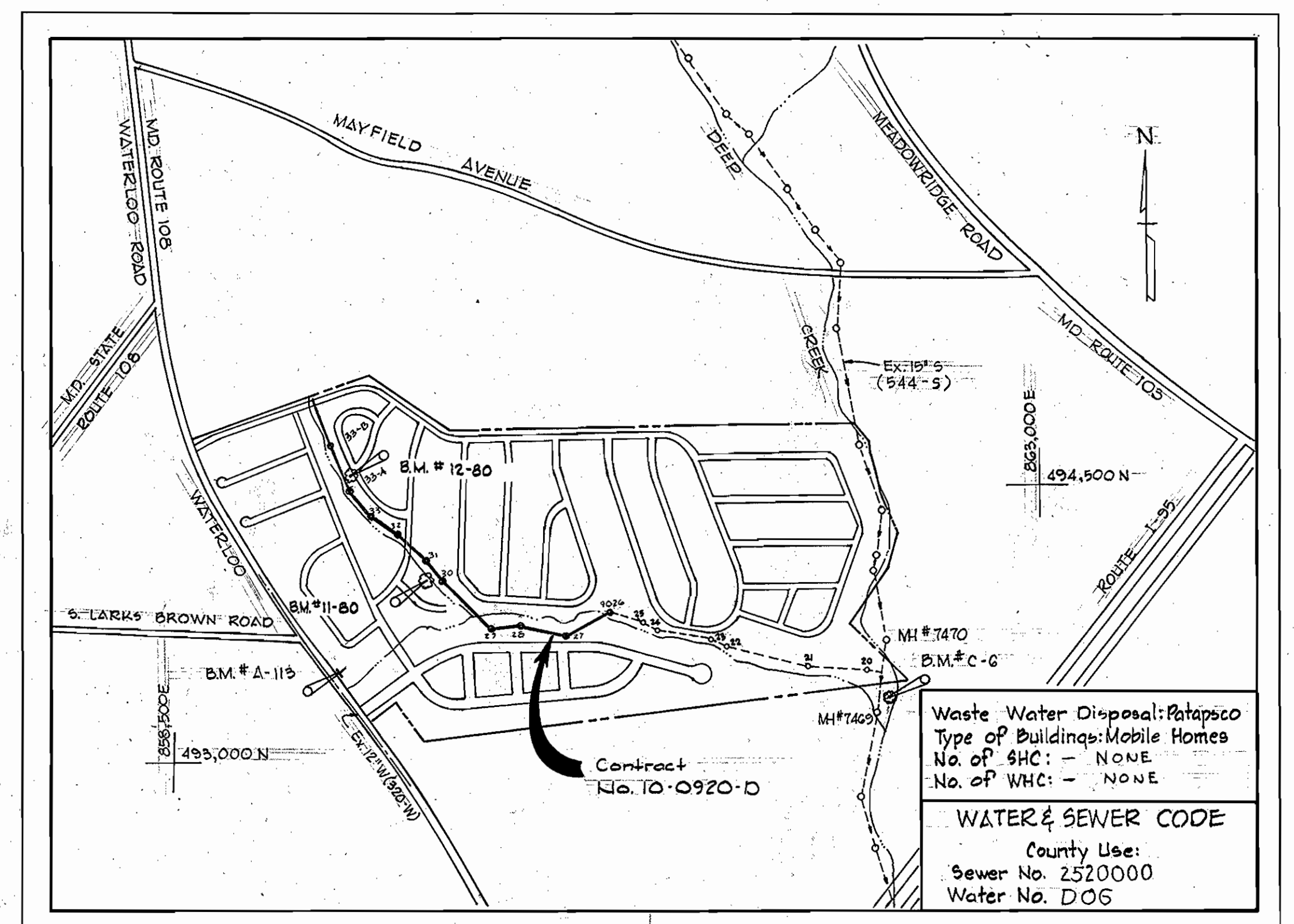
MAPS B.M.#A-113 Elev. 290.19
 60 Penny Spike Base C&E Pole No.
 245473 E. side of State Route 10B,
 300' ± S of S. Lark Brown Road.

W.R.#A. B.M.#D-11-80 Elev. 252.47
 R.R. Spike in 36" Triple Sycamore, 15' ±
 left of Sta. 3+95 between P.I.#D-41-80
 and P.I.#D-42-80

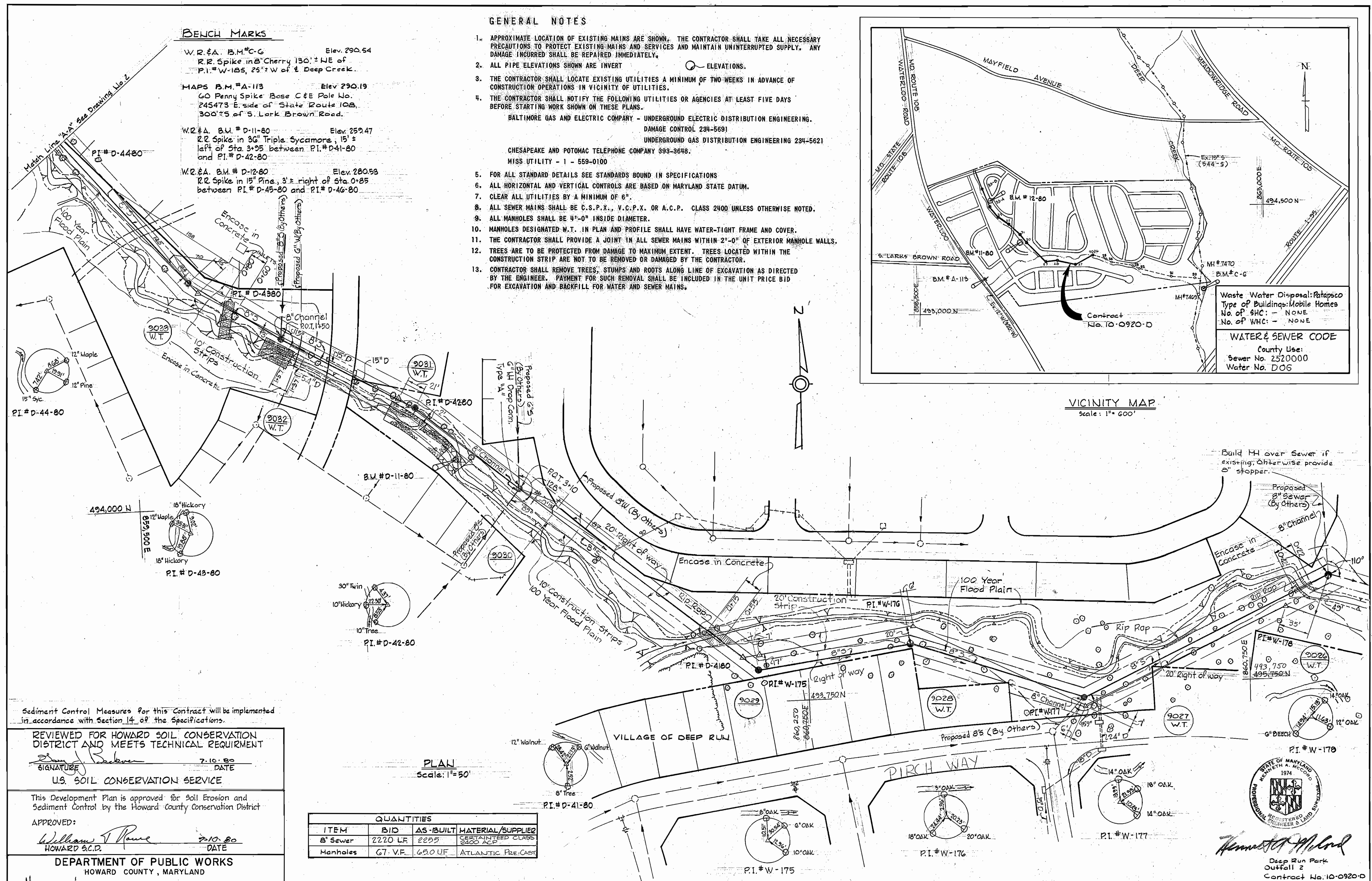
W.R.#A. B.M.#D-12-80 Elev. 280.53
 R.R. Spike in 15" Pine, 3' ± right of
 between P.I.#D-45-80 and P.I.#D-46-80

GENERAL NOTES

- APPROXIMATE LOCATION OF EXISTING MAINS ARE SHOWN. THE CONTRACTOR SHALL TAKE ALL NECESSARY PRECAUTIONS TO PROTECT EXISTING MAINS AND SERVICES AND MAINTAIN UNINTERRUPTED SUPPLY. ANY DAMAGE INCURRED SHALL BE REPAIRED IMMEDIATELY.
- ALL PIPE ELEVATIONS SHOWN ARE INVERT ELEVATIONS.
- THE CONTRACTOR SHALL LOCATE EXISTING UTILITIES A MINIMUM OF TWO WEEKS IN ADVANCE OF CONSTRUCTION OPERATIONS IN VICINITY OF UTILITIES.
- THE CONTRACTOR SHALL NOTIFY THE FOLLOWING UTILITIES OR AGENCIES AT LEAST FIVE DAYS BEFORE STARTING WORK SHOWN ON THESE PLANS.
 BALTIMORE GAS AND ELECTRIC COMPANY - UNDERGROUND ELECTRIC DISTRIBUTION ENGINEERING. DAMAGE CONTROL 234-5691
 UNDERGROUND GAS DISTRIBUTION ENGINEERING 234-5621
 CHESAPEAKE AND POTOMAC TELEPHONE COMPANY 393-3648.
 MISS UTILITY - 1 - 559-0100
- FOR ALL STANDARD DETAILS SEE STANDARDS BOUND IN SPECIFICATIONS
- ALL HORIZONTAL AND VERTICAL CONTROLS ARE BASED ON MARYLAND STATE DATUM.
- CLEAR ALL UTILITIES BY A MINIMUM OF 6".
- ALL SEWER MAINS SHALL BE C.S.P.X., V.C.P.X. OR A.C.P. CLASS 2400 UNLESS OTHERWISE NOTED.
- ALL MANHOLES SHALL BE 4'-0" INSIDE DIAMETER.
- MANHOLES DESIGNATED W.T. IN PLAN AND PROFILE SHALL HAVE WATER-TIGHT FRAME AND COVER.
- THE CONTRACTOR SHALL PROVIDE A JOINT IN ALL SEWER MAINS WITHIN 2'-0" OF EXTERIOR MANHOLE WALLS.
- TREES ARE TO BE PROTECTED FROM DAMAGE TO MAXIMUM EXTENT. TREES LOCATED WITHIN THE CONSTRUCTION STRIP ARE NOT TO BE REMOVED OR DAMAGED BY THE CONTRACTOR.
- CONTRACTOR SHALL REMOVE TREES, STUMPS AND ROOTS ALONG LINE OF EXCAVATION AS DIRECTED BY THE ENGINEER. PAYMENT FOR SUCH REMOVAL SHALL BE INCLUDED IN THE UNIT PRICE BID FOR EXCAVATION AND BACKFILL FOR WATER AND SEWER MAINS.



VICINITY MAP
 Scale: 1" = 600'



Sediment Control Measures for this Contract will be implemented in accordance with Section 14 of the Specifications.

REVIEWED FOR HOWARD SOIL CONSERVATION DISTRICT AND MEETS TECHNICAL REQUIREMENT
 Signature: [Signature] DATE: 7-10-80
 U.S. SOIL CONSERVATION SERVICE

This Development Plan is approved for Soil Erosion and Sediment Control by the Howard County Conservation District
 APPROVED: [Signature] DATE: 7-10-80
 HOWARD C.C.D.

DEPARTMENT OF PUBLIC WORKS
 HOWARD COUNTY, MARYLAND
 [Signature] DATE: 7-21-80
 DIRECTOR OF PUBLIC WORKS
 [Signature] DATE: 7-10-80
 CHIEF-BUREAU OF ENGINEERING
 [Signature] DATE: 7-10-80
 CHIEF-LAND DEVELOPMENT DIVISION

QUANTITIES			
ITEM	BID	AS-BUILT	MATERIAL/SUPPLIER
8" Sewer	2220 LF	2255	CERTAINTEED CLAYS
Manholes	67 V.F.	65.0 UF	ATLANTIC PRE-CAST

WHITMAN REQUARDT & ASSOCIATES
 ENGINEERS
 1304 ST. PAUL ST.
 BALTIMORE, MARYLAND

CONTRACT NO. 10-0920-D

PLAN OF SEWER MAINS

ELECTION DISTRICT ELK RIDGE NO. 1

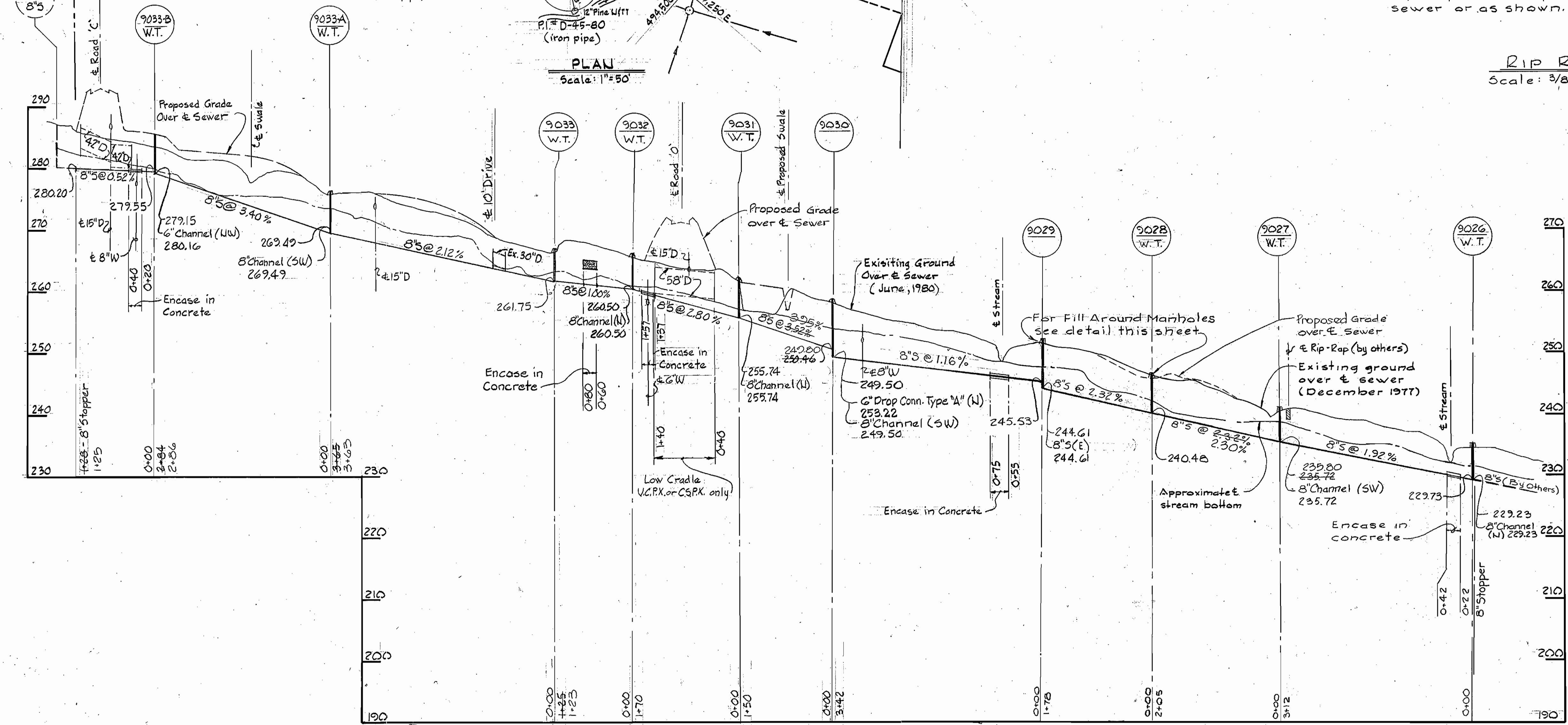
DRAWING NO. 1 OF 2 **SCALE AS SHOWN**

WS 920 - S/1

Property of
ELIZABETH B. ROULLIER

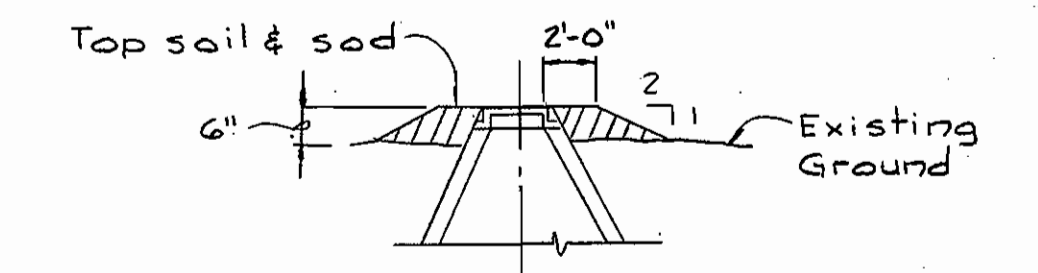
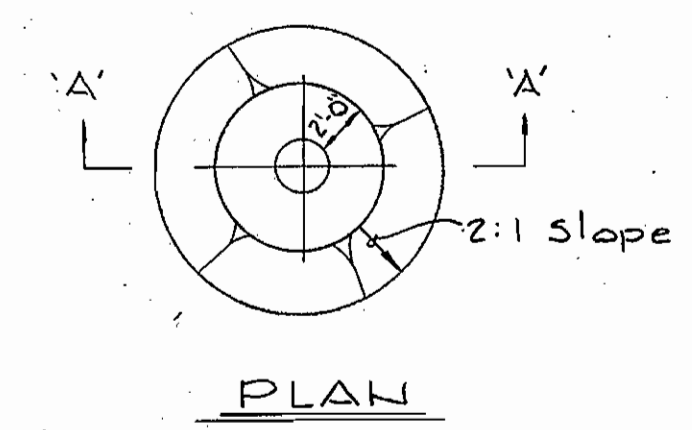
NO
REFERENCE
P.I.# W-69
(Iron Pipe)

Future
8" S

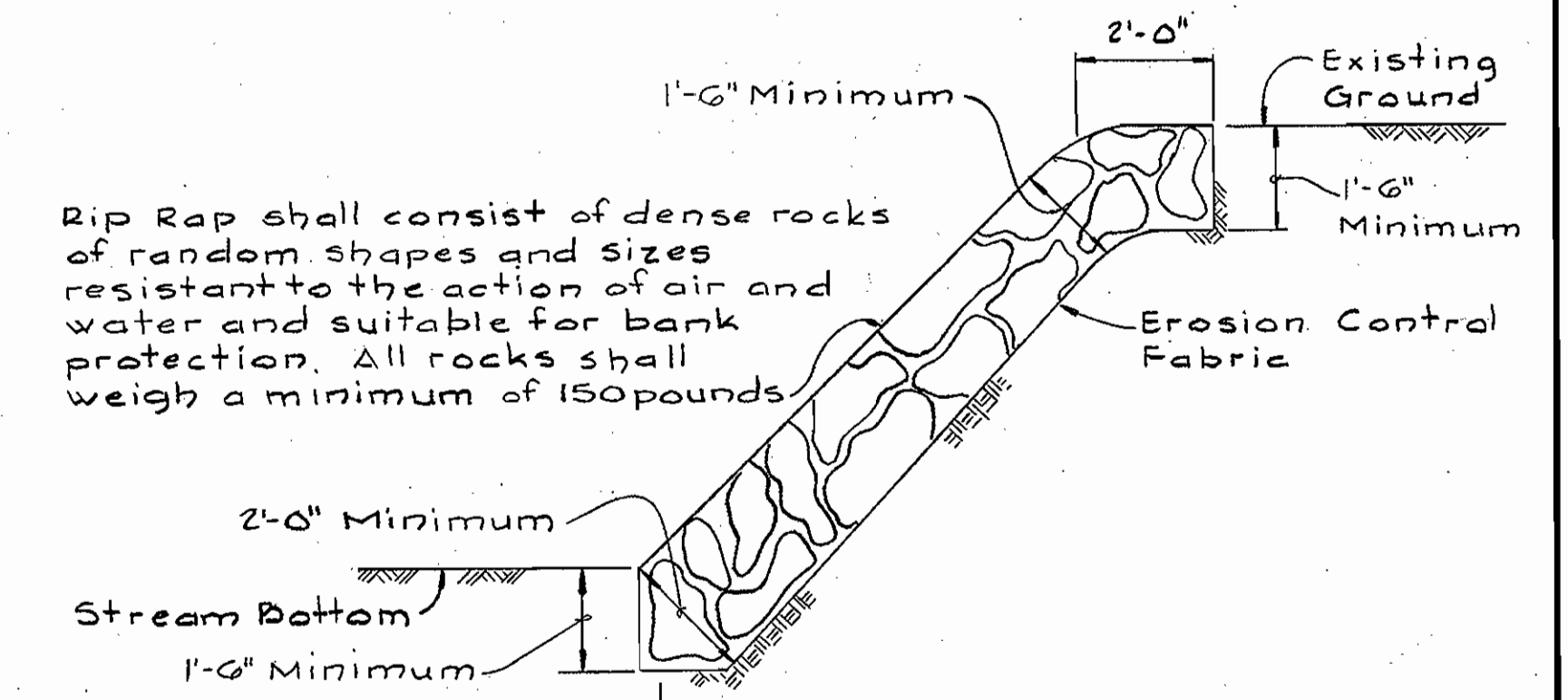


PLAN
Scale: 1"=50'

PROFILE
Scale: Horiz: 1"=100'
Vert: 1"=10'



FILL AROUND MANHOLES
9026 THRU 9033-A
Scale: 3/8"=1'-0"

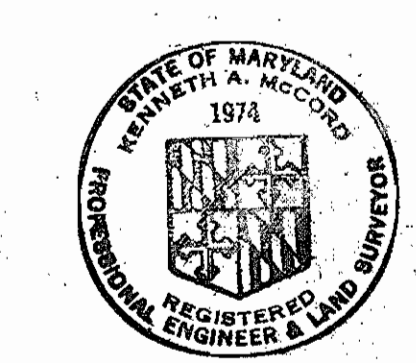


Rip Rap shall consist of dense rocks of random shapes and sizes resistant to the action of air and water and suitable for bank protection. All rocks shall weigh a minimum of 150 pounds.

Maintain 1'-0" Minimum clearance between Rip Rap and top of pipe

- Notes:
1. Erosion Control Fabric shall be Poly-Filter-X as manufactured by Carthage Mills Inc, Erosion Control Division, 124 West 60th Street Cincinnati, Ohio, Laurel Erosion Control Cloth as manufactured by Laurel Plastic Inc, Madison, Maine or approved equal.
 2. Rip Rap shall be placed 6' minimum each side & sewer or as shown.

RIP RAP
Scale: 3/8"=1'-0"



Kenneth A. McCord

Deep Run Park
Outfall 2
Contract No. 10-0920-D

DEPARTMENT OF PUBLIC WORKS
HOWARD COUNTY, MARYLAND

James F. Nemmer 7-21-80
DIRECTOR OF PUBLIC WORKS - DATE

James L. Blair 7/16/80
CHIEF - BUREAU OF UTILITIES - DATE

William B. Roulier 7-13-80
CHIEF-BUREAU OF ENGINEERING - DATE

Malcolm F. Price 7-10-80
CHIEF - LAND DEVELOPMENT DIVISION - DATE

WHITMAN REQUARDT & ASSOCIATES
ENGINEERS
1304 ST. PAUL ST.
BALTIMORE MARYLAND

CONTRACT NO. 10-0920-D

PLAN, PROFILE & DETAILS
OF
SEWER MAINS

ELECTION DISTRICT
ELKRIDGE NO. 1

DRAWING NO. 2 OF 2	SCALE AS SHOWN	37-494-860
--------------------	----------------	------------

W. O. 7153-2

AS-BUILT JAN. 20, 1981 PAL FB #6418 July 8, 1980

WS 920 - S12