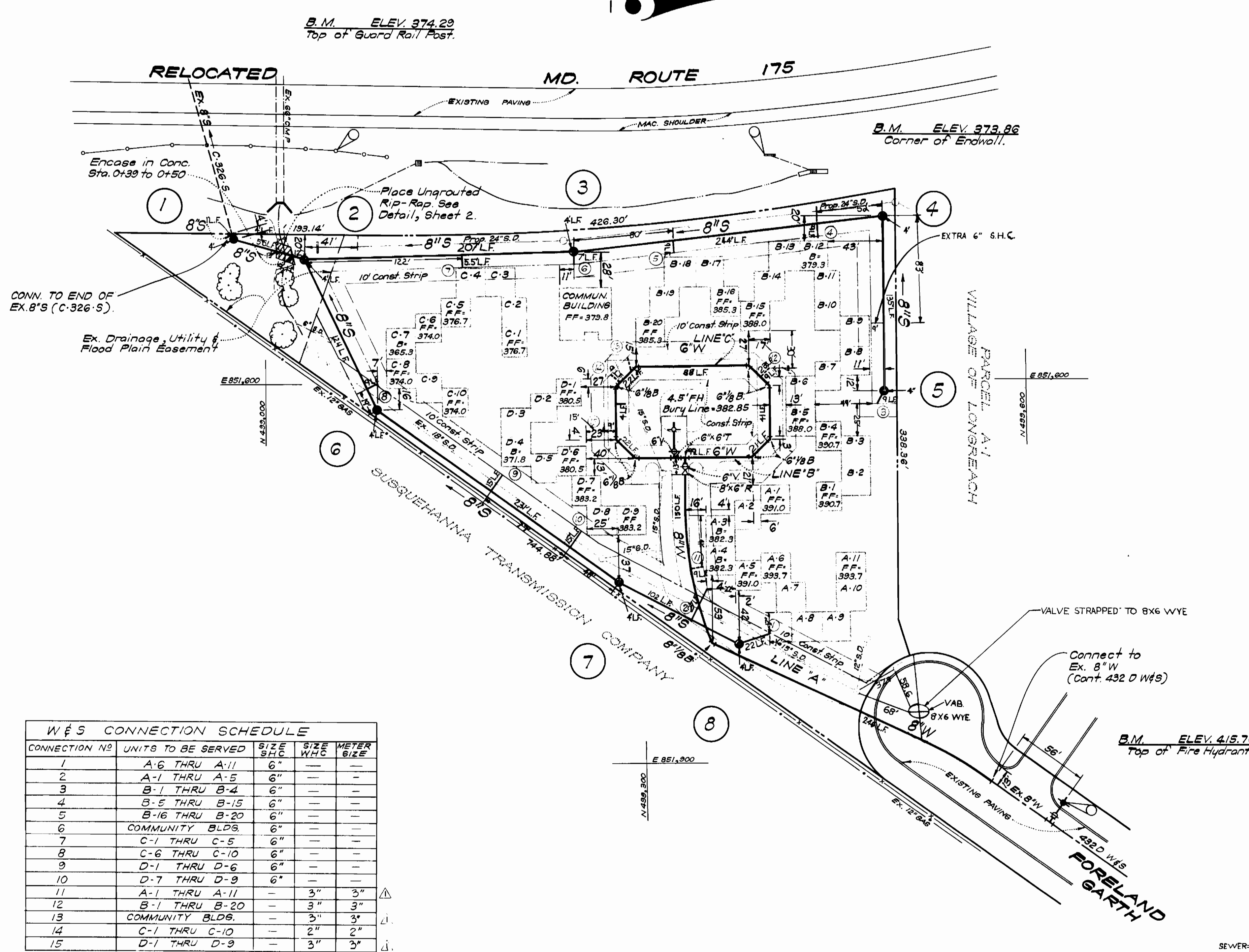


VICINITY MAP  
SCALE: 1" = 200'

**GENERAL NOTES**

- All water mains to be C.I.P., D.I.P. or A.C.P. unless otherwise shown.
- Top of all water mains to have a minimum of 3.5 ft. cover unless otherwise noted.
- All valves shall be strapped to tees in accordance with standard details.
- Block all fittings with concrete, see standards bound in specifications.
- Bury line elevations on fire hydrants shall be set to the elevations shown on the drawings. All fire hydrants shall be strapped and buttressed with concrete in accordance with standard details. Soil around the fire hydrants to be compacted in accordance with Section 5-15 of the Standard Specifications.
- All sewer mains shall be C.S.P.X., V.C.P.X., or A.C.P. Class 2400 unless otherwise noted.
- The contractor shall provide a joint in all sewer mains within 2'-0" of exterior manhole wall.
- All manholes shall be 4'-0" inside diameter, unless otherwise noted.
- Approximate locations of existing mains are shown. The contractor shall take all necessary precautions to protect existing mains and services and maintain uninterrupted supply. Any damage incurred shall be repaired immediately.
- All horizontal controls are based on Maryland State Coordinates.
- All vertical controls are based on U.S.C.S. Datum.
- All pipe elevation shown are invert elevations.
- Clear all utilities by a minimum of 6', clear all poles by 2'-0" minimum or tunnel as required.
- For all standard details see standards bound in specifications.
- Contractor shall locate existing utilities in advance of construction operations in the vicinity of proposed utilities.
- Contractor shall notify the following utilities or agencies at least five (5) days before starting work shown on these plans:  
 State Highway Administration - 531-5533  
 Baltimore Gas and Electric Company - Underground Electric Distribution Engineering - 234-5691  
 Baltimore Gas and Electric Company - Underground Gas Distribution Engineering - 539-0100  
 Chesapeake and Potomac Telephone Co. - 725-3976  
 American Telephone and Telegraph - Cable Location Division - 301-393-3553  
 Colonial Pipeline Company - 781-4641
- Trees are to be protected from damage to maximum extent. Trees located within the construction strip are not to be removed or damaged by the contractor.
- Contractor shall remove trees, stumps and roots along line of excavation as directed by the Engineer. Payment for such removal shall be included in the unit price bid for excavation and backfill for water and sewer mains.
- Place regulation "Men Working" and warning signs as required to comply with Maryland State Highway Administration Manual of Traffic Control for Highway Construction and Maintenance Operations.

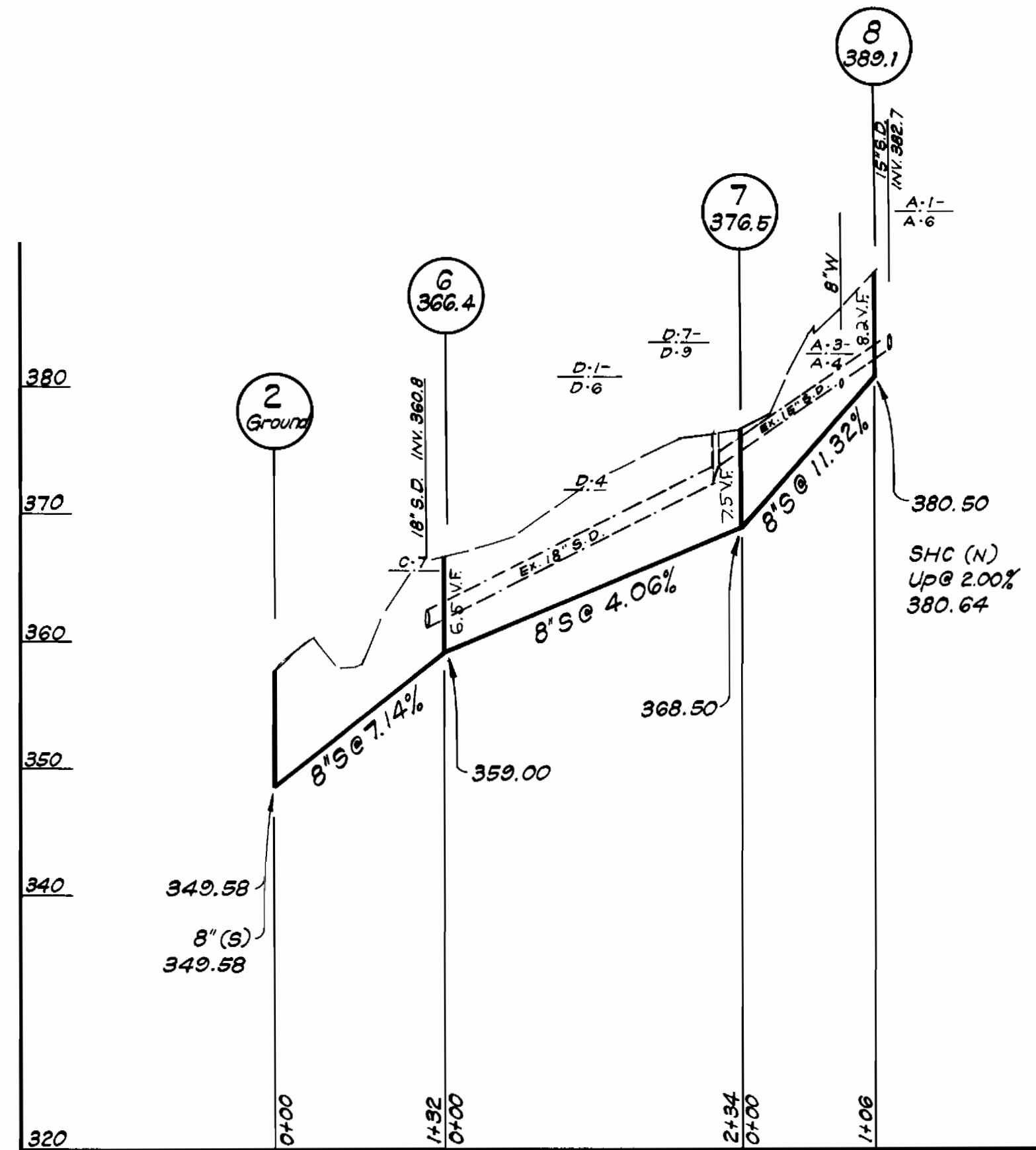
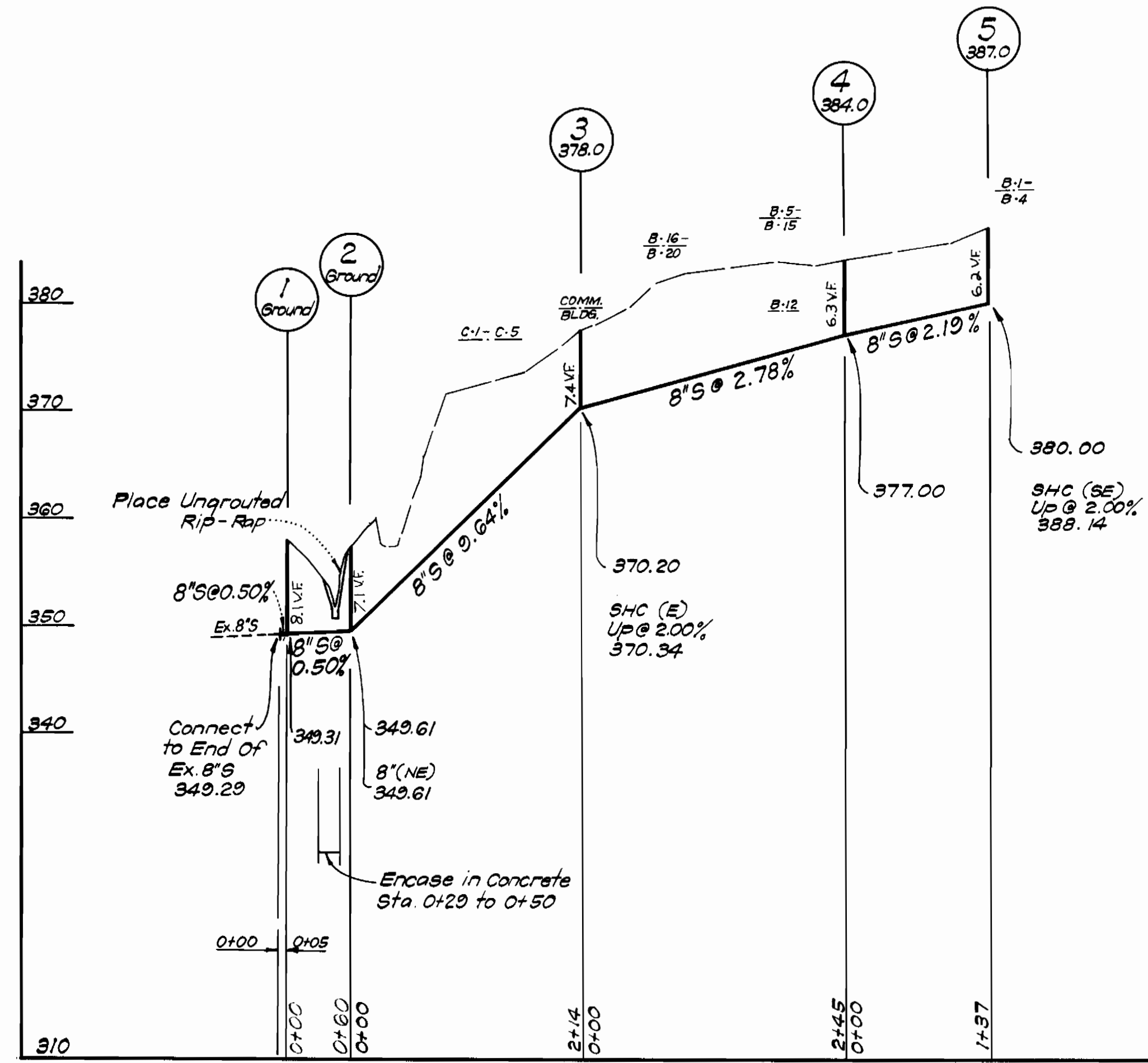


**W&S CONNECTION SCHEDULE**

CONNECTION NO	UNITS TO BE SERVED	SIZE S.H.C.	SIZE W.H.C.	METER SIZE
1	A-6 THRU A-11	6"	—	—
2	A-1 THRU A-5	6"	—	—
3	B-1 THRU B-4	6"	—	—
4	B-5 THRU B-15	6"	—	—
5	B-16 THRU B-20	6"	—	—
6	COMMUNITY BLDG.	6"	—	—
7	C-1 THRU C-5	6"	—	—
8	C-6 THRU C-10	6"	—	—
9	D-1 THRU D-6	6"	—	—
10	D-7 THRU D-9	6"	—	—
11	A-1 THRU A-11	—	3"	3"
12	B-1 THRU B-20	—	3"	3"
13	COMMUNITY BLDG.	—	3"	3"
14	C-1 THRU C-10	—	2"	2"
15	D-1 THRU D-9	—	3"	3"

COLUMBIA  
VILLAGE OF LONGREACH  
SECTION 1 AREA 7  
PART OF PARCEL "A"  
CONTRACT 2788 D W&S

<p>CLARK • FINEPROCK &amp; SACKETT ENGINEERS • PLANNERS • SURVEYORS 11315 LOCKWOOD DRIVE SILVER SPRING, MARYLAND 20904</p>	<p>DEPARTMENT OF PUBLIC WORKS HOWARD COUNTY, MARYLAND 3-19-78 DIRECTOR OF PUBLIC WORKS DATE</p>	<p>CONTRACT NO. 2788 D W&amp;S</p>	<p>PLAN OF WATER &amp; SEWER MAINS</p>	<p>COLUMBIA VILLAGE OF LONGREACH ELECTION DISTRICT-CLARKSVILLE No.5</p>	DRAWING NO. 1 OF 2	SCALE 1" = 50'
					<p>3-17-78 CHIEF BUREAU OF ENGINEERING DATE</p>	<p>AS - BUILT 10-13-78</p>



**NOTES:**  
 Erosion Control Fabric shall be PolyFilter-X as manufactured by Carthage Mills Inc. Erosion Control Division, 124 W. 66th Street, Cincinnati, Ohio; Laurel Erosion Control Cloth as manufactured by Laurel Plastics Inc, Madison, Maine, or approved equal.

Rock excavated from trench may be used for Rip-Rap provided the rocks used conform to the following:  
 Rip-Rap shall consist of dense rocks of random shapes and sizes, resistant to the action of air and water and suitable for bank protection. All rocks shall weigh a minimum of 150 pounds.

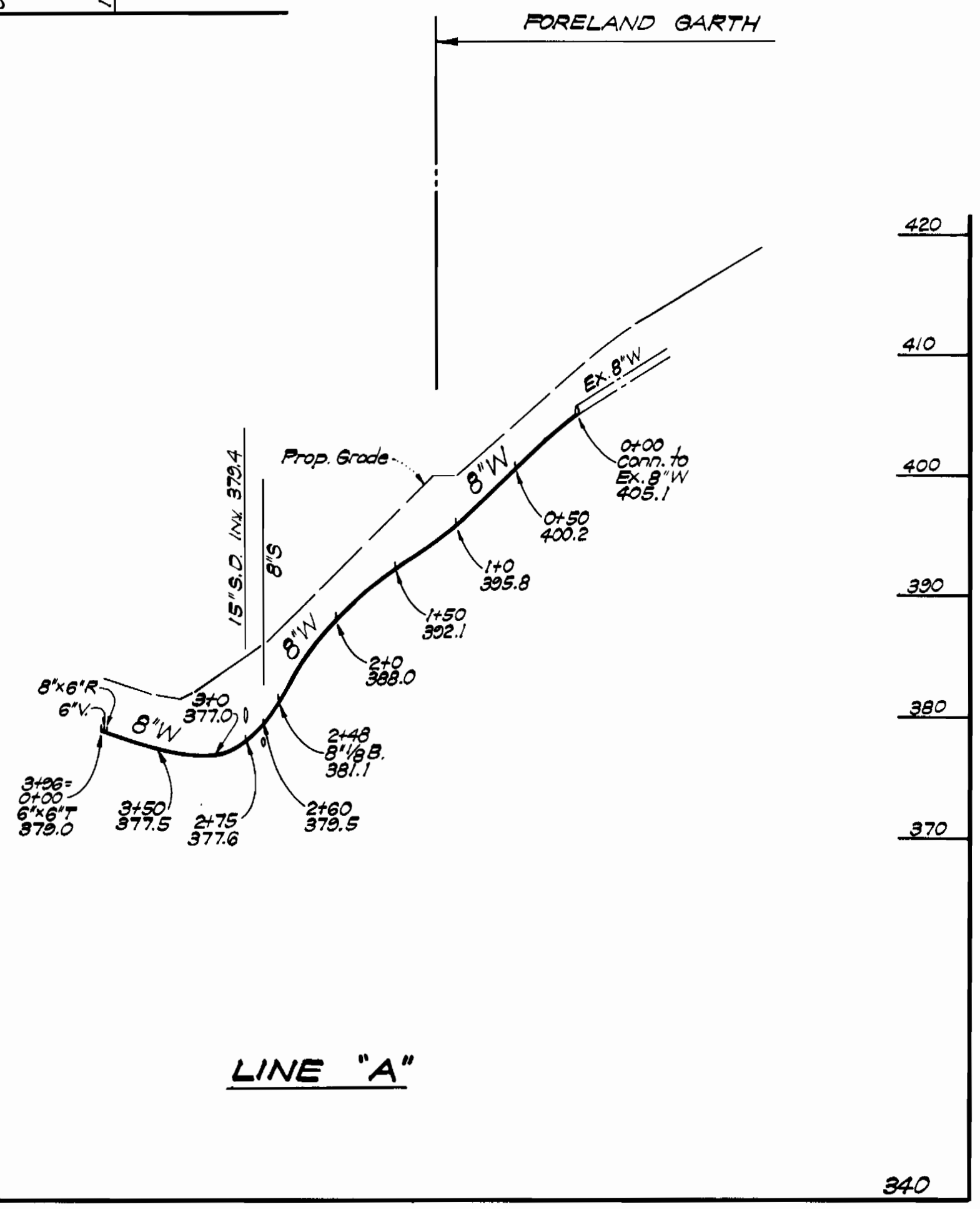
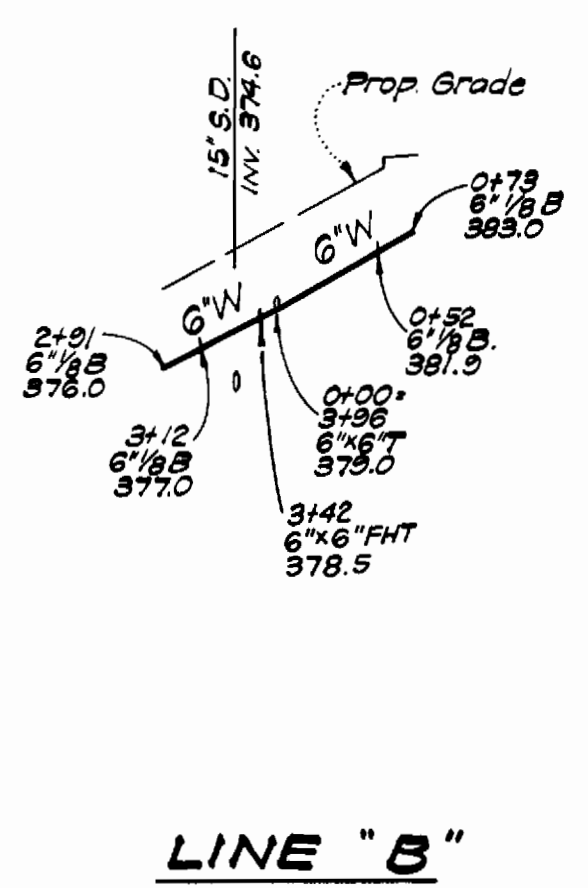
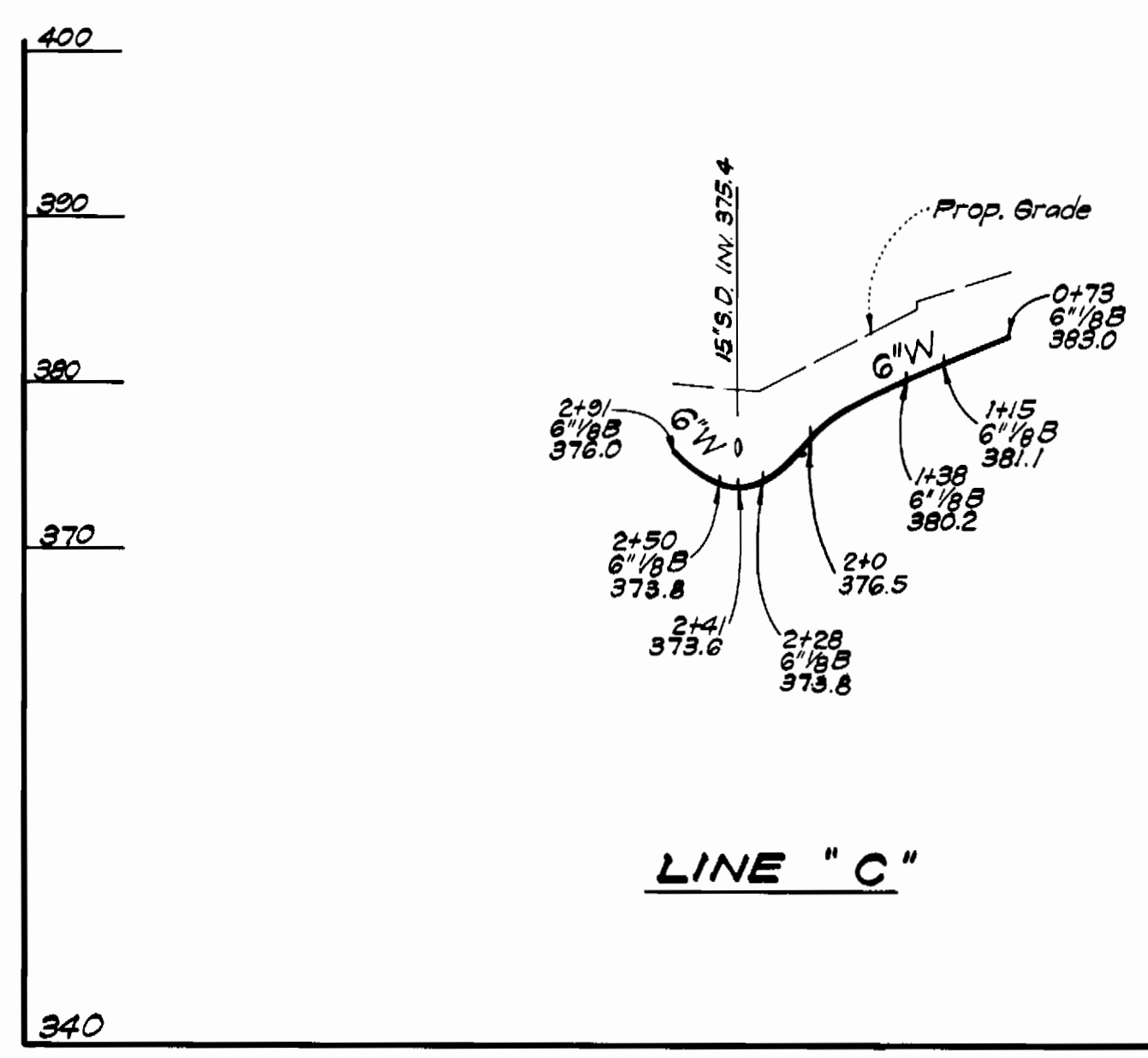
Stream Bottom:  $\frac{1}{8}$ " Min.

Maintain 1' minimum clearance between Rip-Rap and top of pipe.

2'-0" Ex. Ground  
 1'-6" Min.  
 Erosion Control Fabric

**NOTE:**  
 Rip-Rap shall be placed 6' minimum each side of sewer or as shown.

**RIP-RAP DETAIL**  
 NO SCALE



**CLARK • FINEFROCK & SACKETT**  
 ENGINEERS • PLANNERS • SURVEYORS  
 11315 LOCKWOOD DRIVE • SILVER SPRING, MARYLAND 20904

DEPARTMENT OF PUBLIC WORKS  
 HOWARD COUNTY, MARYLAND  
 3-19-78  
 DATE

CONTRACT NO. 8788 D W&S  
 DATE

PROFILES OF  
 WATER & SEWER MAINS

COLUMBIA  
 VILLAGE OF LONGREACH  
 ELECTION DISTRICT - CLARKSVILLE No.5

DRAWING  
 NO. 2  
 OF 2

SCALE  
 HOR. 1"=100'  
 VER. 1"=10'