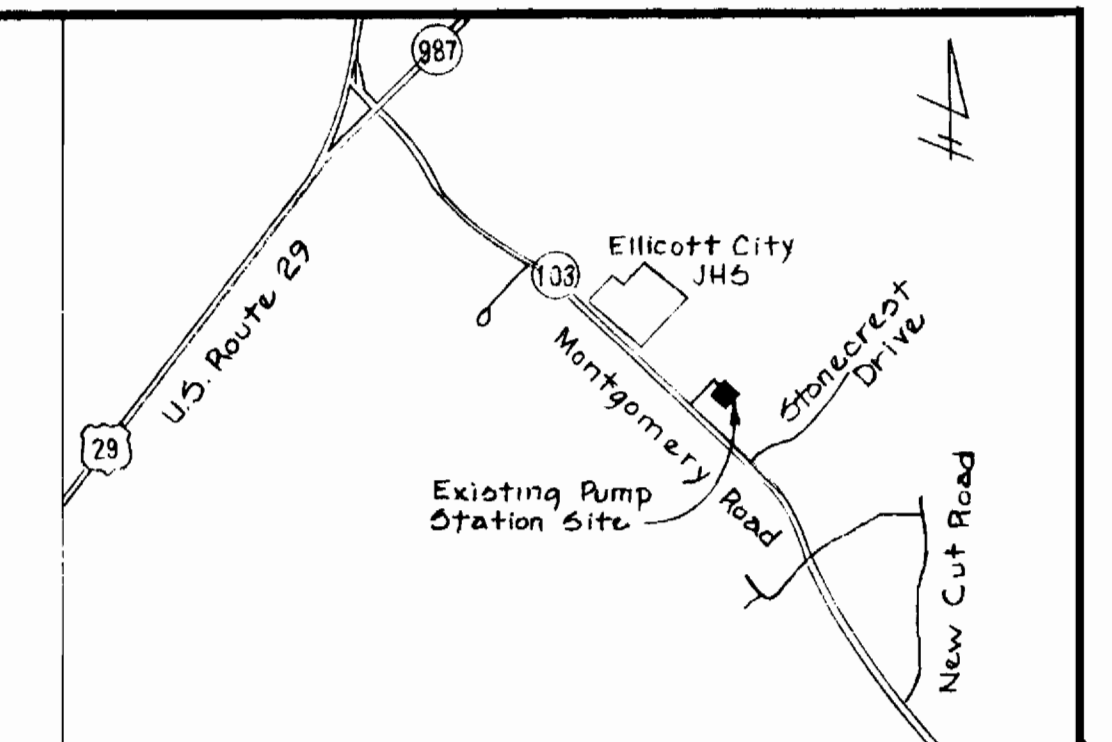


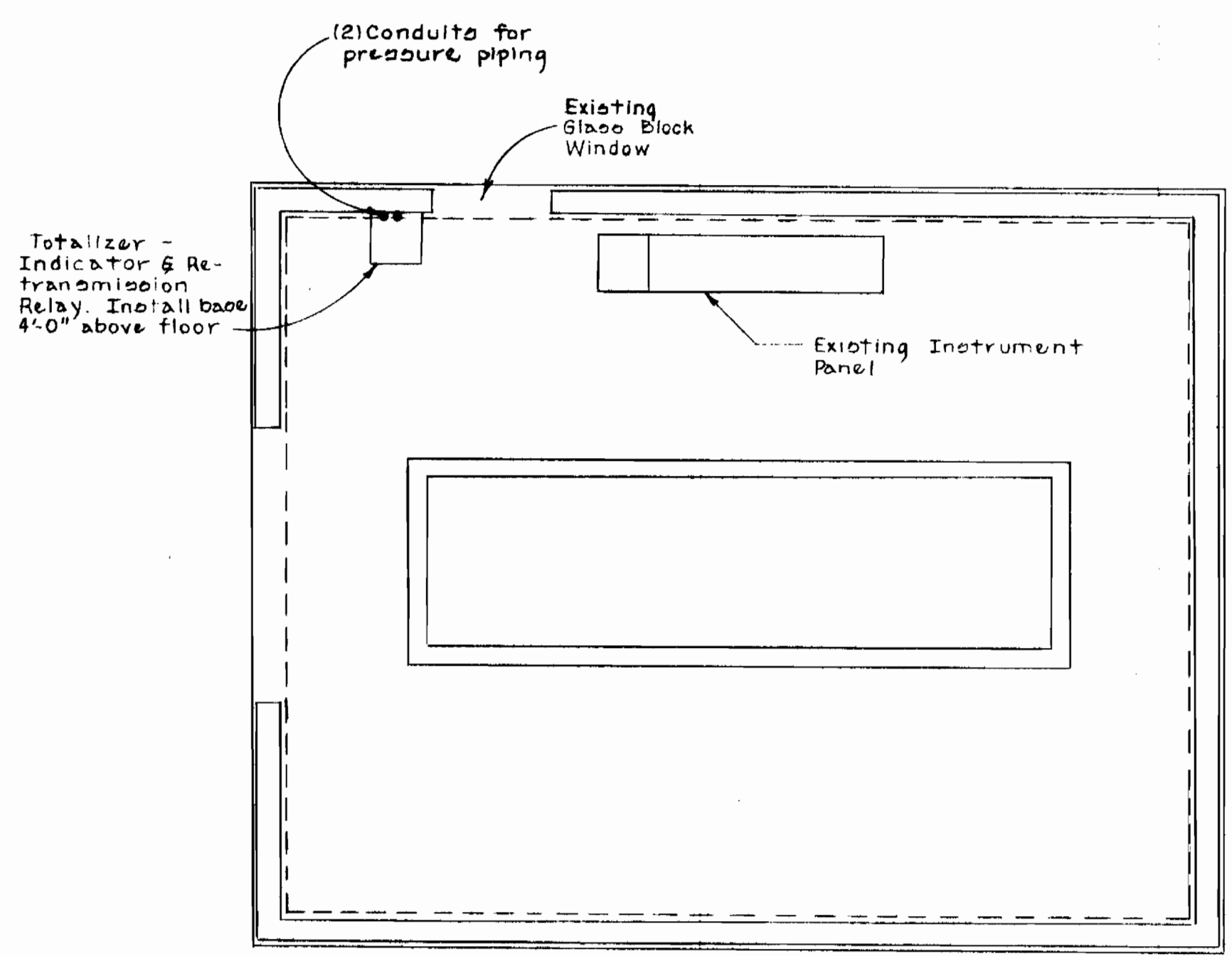
CONSTRUCTION SEQUENCE

1. Locate 12" ϕ C.I. flanged pipe.
2. Cut pipe sections (flange sections) to fit installation
3. Turn off pumps and power source
4. Close station suction valve and pump suction valves (2)
5. Dewater Main
6. Remove 12" pipe section from wall casting to N^o 2 unit
7. Disinfect meter and pipe sections
8. Install meter, pipe sections, pressure tubing, electrical circuitry, and totalizer-indicator as shown
9. Restart pump station and test for leakage
10. Connect telemetry circuitry to existing instrument panel
11. Test metering and telemetry as per manufacturers instructions
12. Start up telemetry

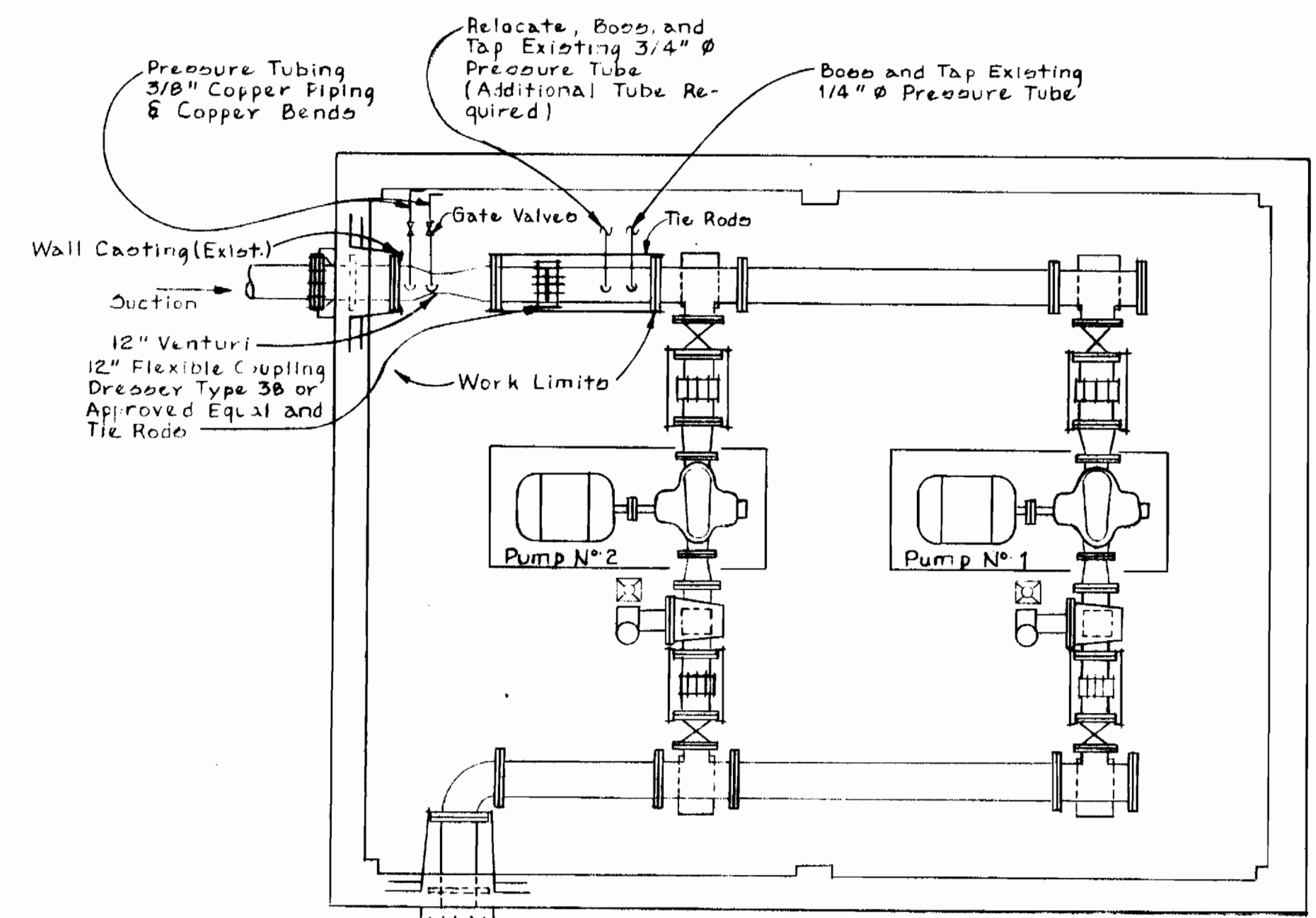
Approximately
N 854375
E 515000



VICINITY MAP
SCALE: 1" = 200'



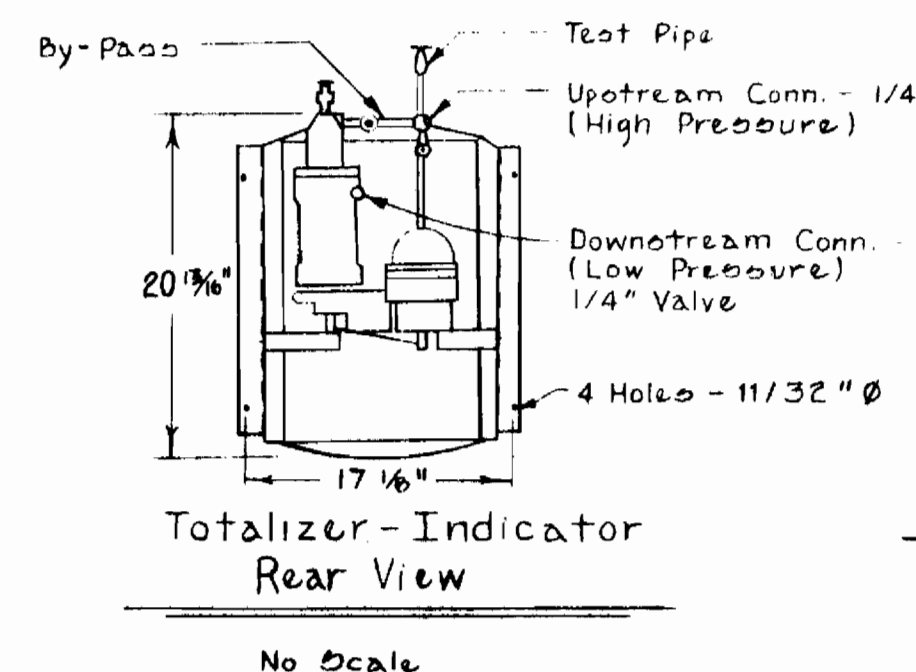
OPERATING FLOOR PLAN



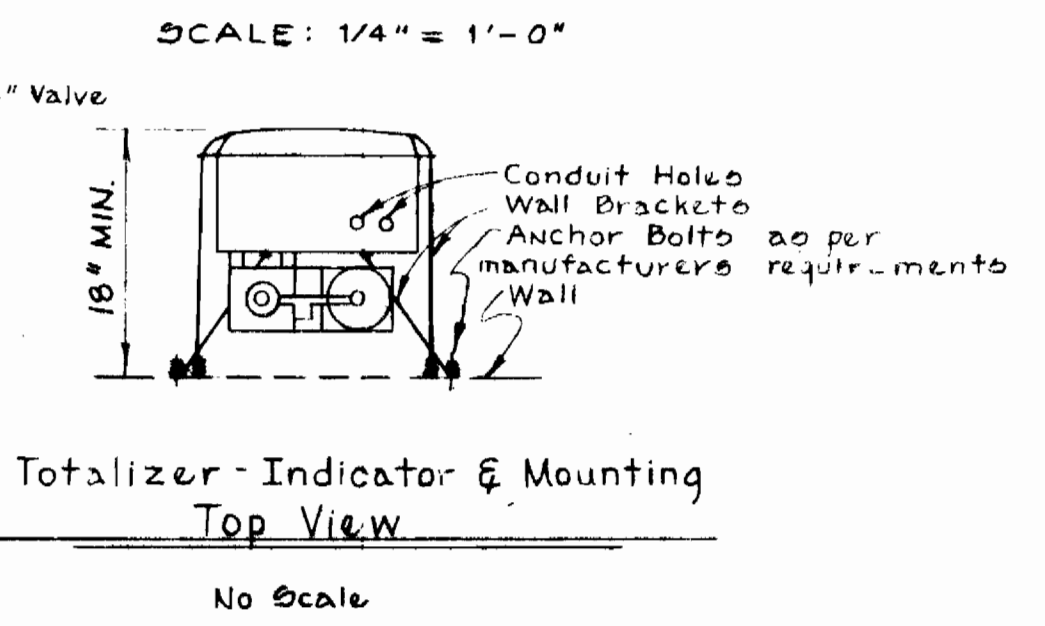
PUMP & PIPING PLAN

GENERAL NOTES

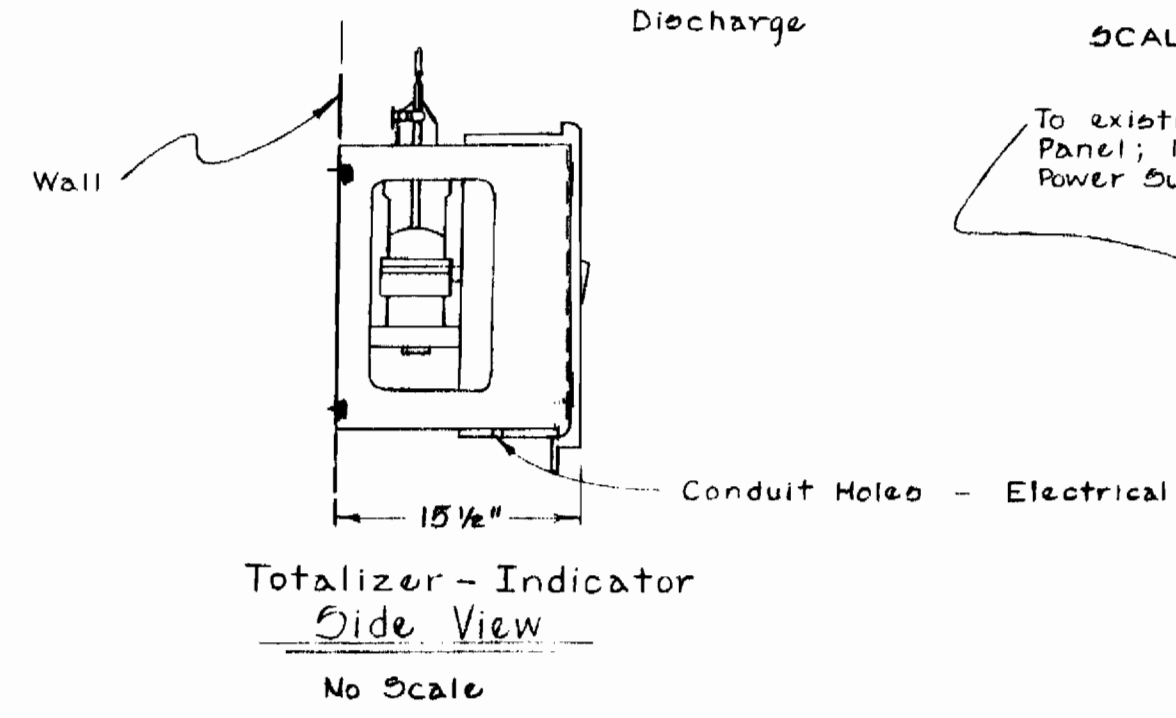
1. All Pressure Tubing shall be 3/8" ϕ Copper Tubing (Type b). Copper tubing shall be type "k", if flared fittings are not used. Provide pipe unions at both ends of pipe runs. Pressure tubing shall have a 1"/Ft. positive slope min..
2. Pressure tubing shall have a continuous pipe alignment, sharp alignment changes are to be avoided. If alignment changes are required, copper pipe bends shall be used.
3. Ream out all pressure tube ends.
4. Use stainless steel 1/4" needle valves (Vogt Catalog N^o 9811 or approved equal) for pressure valves at wells in receiver.
5. Provide 6" minimum flexible conduit into receiver (Electrical).
6. Anchor all pipe to prevent vibration being transmitted to instruments.
7. Venturi Meter shall be a B.I.F. 0101-12-1111 or approved equal.



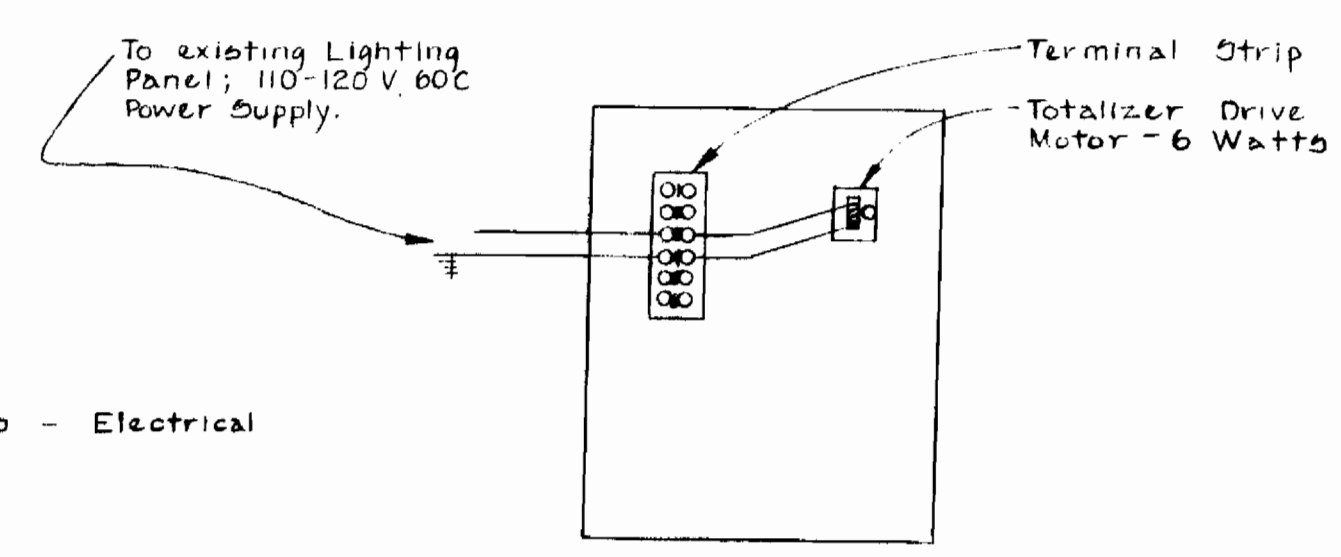
Totalizer-Indicator Rear View



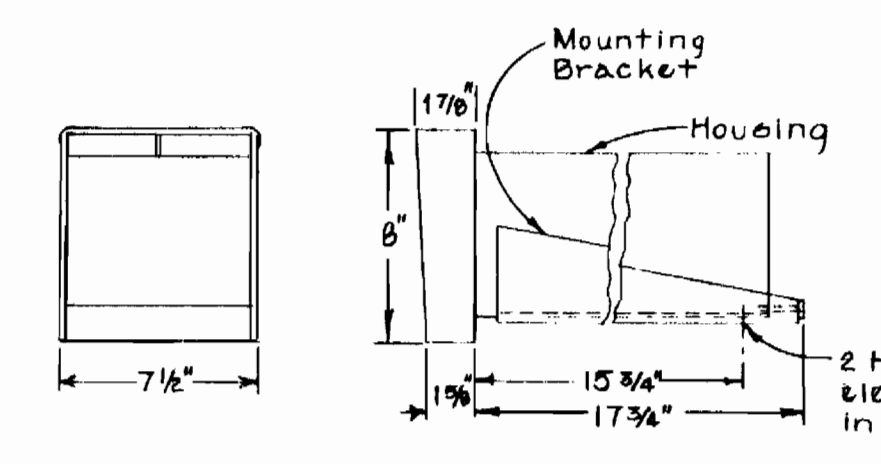
Totalizer-Indicator Top View



Totalizer-Indicator Side View



Wiring Diagram



Receiver Front & Side Views

Totalizer-Indicator shall be a B.I.F. Model 301-04 or approved equal. This unit shall include a retransmission relay switch to operate existing tone transmission equipment.

Retransmission Relay shall be installed by manufacturer in factory or by field engineer at start up.

Receiver shall be a B.I.F. Model 233-01 or approved equal.

W. O. Albert 5901

BUREAU OF ENGINEERING DEPARTMENT OF PUBLIC WORKS HOWARD COUNTY, MARYLAND	DEPARTMENT OF PUBLIC WORKS HOWARD COUNTY, MARYLAND P. J. Roberts 10-14-77 DIRECTOR OF PUBLIC WORKS DATE	CONTRACT NO. 774-W CAPITAL PROJECT NO. W-8-8098	PLAN AND DETAILS	MONTGOMERY ROAD PUMP STATION METERING & TELEMETRY IMPROVEMENT	DRAWING	SCALE	CHECKED
					NO. 1	A5	DATE
					OF 1	SHEETS	DATE