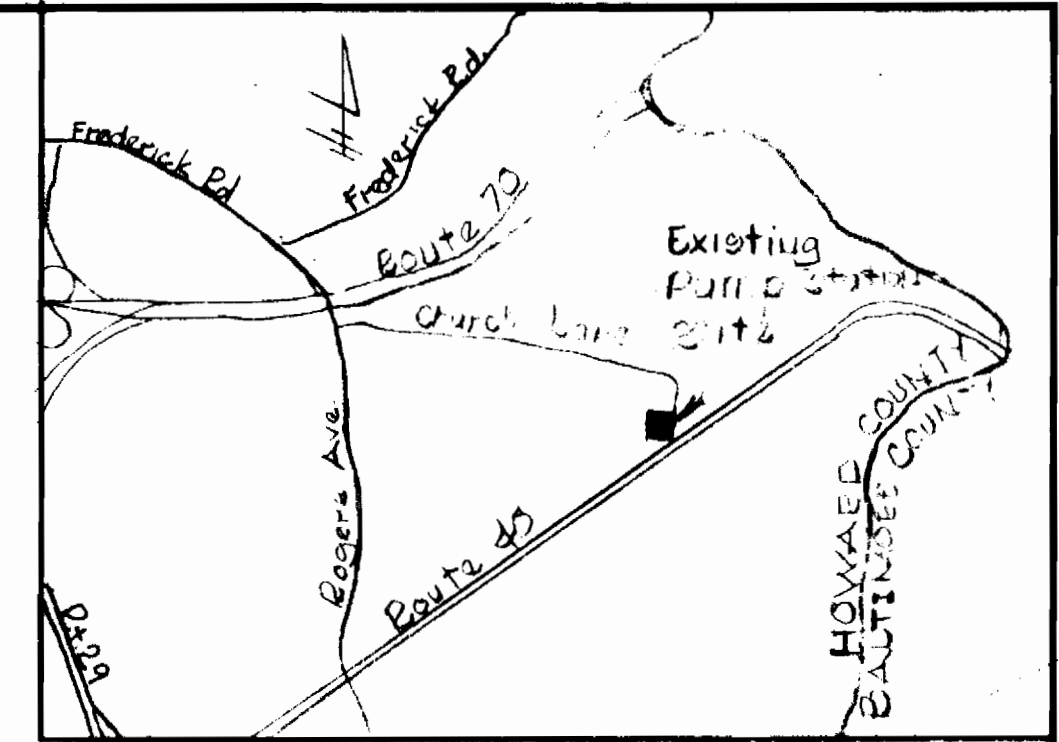


**CONSTRUCTION SEQUENCE**

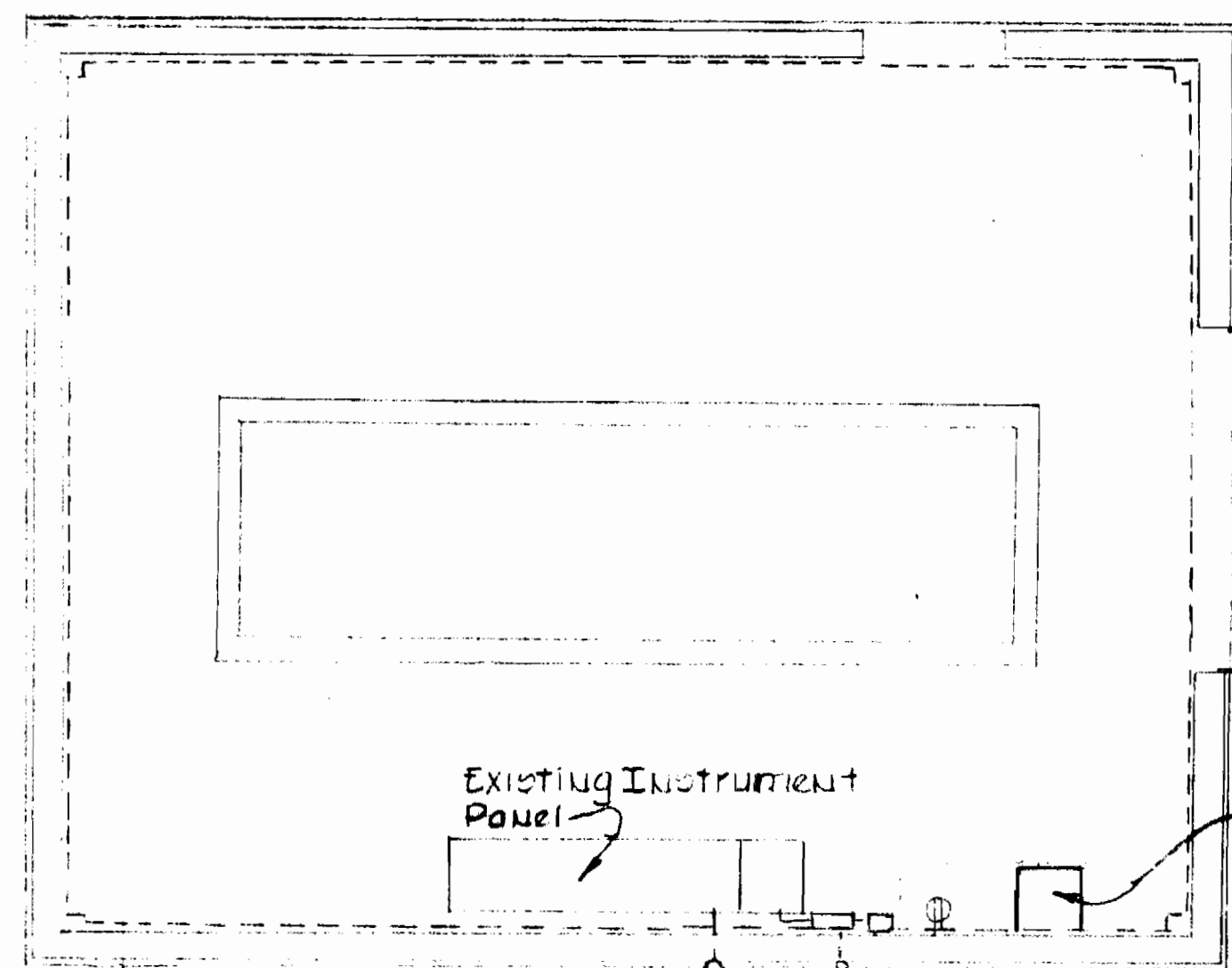
1. Purchase or locate 12"  $\phi$  C.I. pipe
2. Cut pipe sections (flange sections) to fit installation
3. Turn off pumps & power source
4. Close station suction valve & pump suction valves
5. Dewater main
6. Remove 12" pipe section from wall casting to #2 unit.
7. Disinfect meter & pipe sections
8. Install meter, pipe sections, pressure tubing, electrical circuitry, and totalizer-indicator as shown
9. Restart pump station & test for leakage
10. Connect telemetry circuitry to existing electrical panel
11. Test metering & telemetry as per manufacturer's instructions
12. Start up telemetry



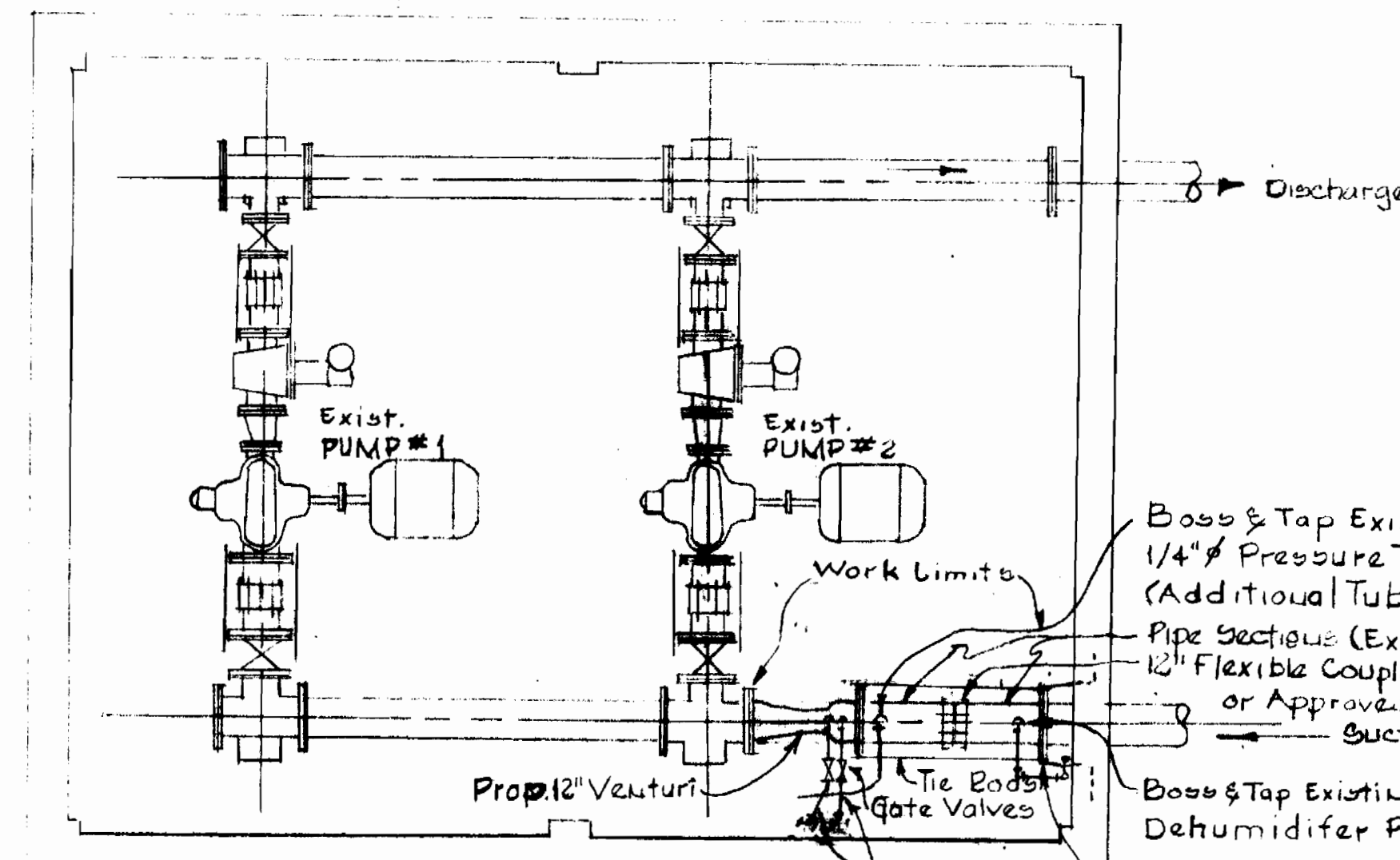
**VICINITY MAP**  
Scale 1" = 1200'

**GENERAL NOTES**

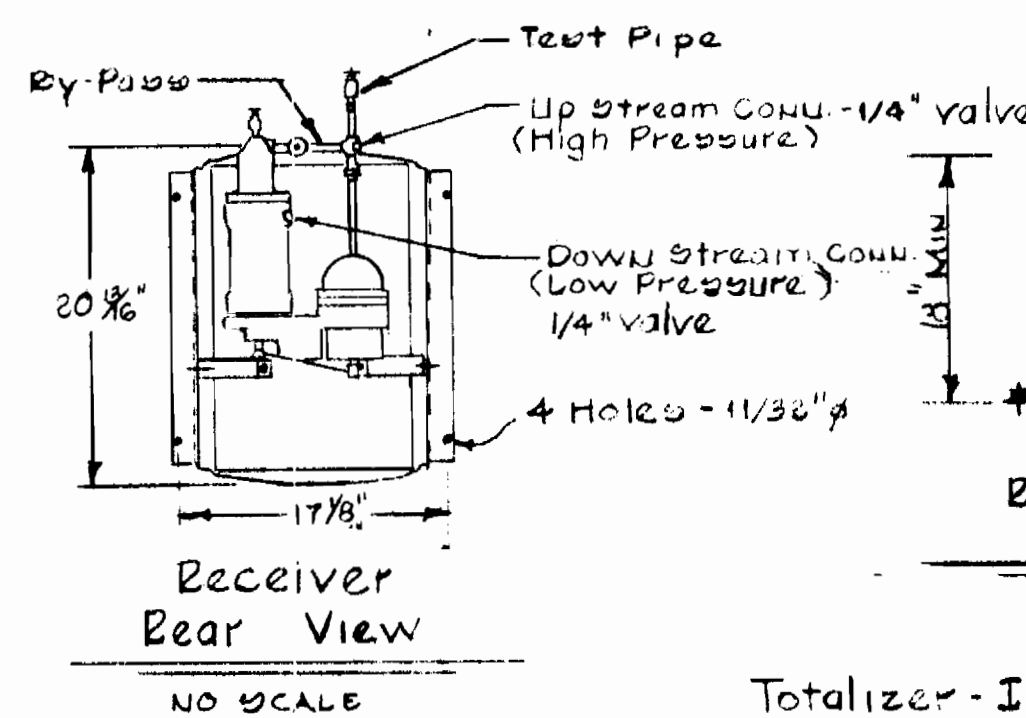
1. All Pressure Tubing shall be 3/8"  $\phi$  Copper Tubing (Type L). Copper Tubing shall be type "K" if flared fittings are not used. Provide pipe unions at both ends of pipe runs. Pressure tubing shall have a 1"/ft. positive slope Min.
2. Pressure tubing shall have a continuous pipe alignment. Sharp alignment changes are to be avoided. If alignment changes are required, copper pipe bends shall be used.
3. Beam out all pressure tube ends.
4. Use stainless steel 1/4" needle valves (Vogt Catalog #9811 or approved equal) for pressure valves at wells in receiver.
5. Provide @" minimum flexible conduit into receiver (Electrical).
6. Anchor all pipe to prevent vibration being transmitted to instruments.
7. Venturi meter shall be a B.I.F. 01B1-12-1114 or APPROVED EQUAL.



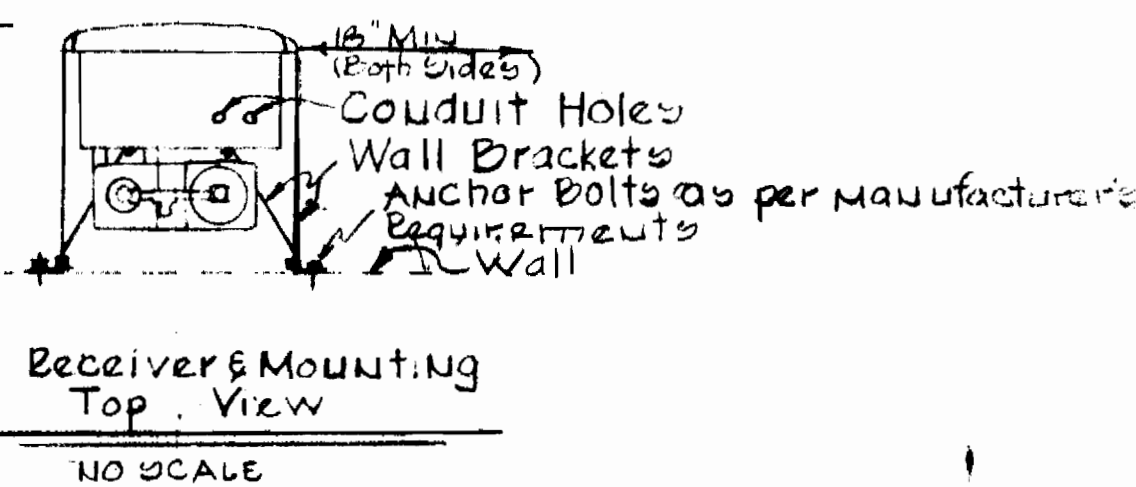
**OPERATING FLOOR PLAN**  
Scale 1/4" = 1'-0"



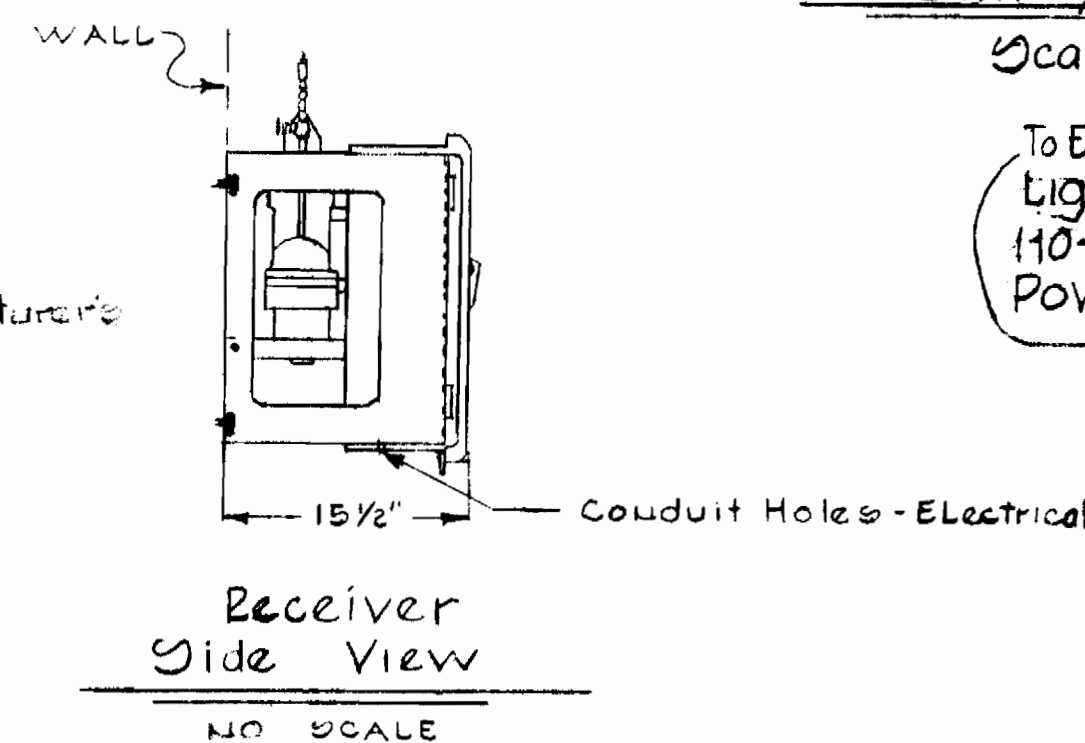
**PUMP & PIPING PLAN**  
Scale 1/4" = 1'-0"



Receiver Rear View  
NO SCALE

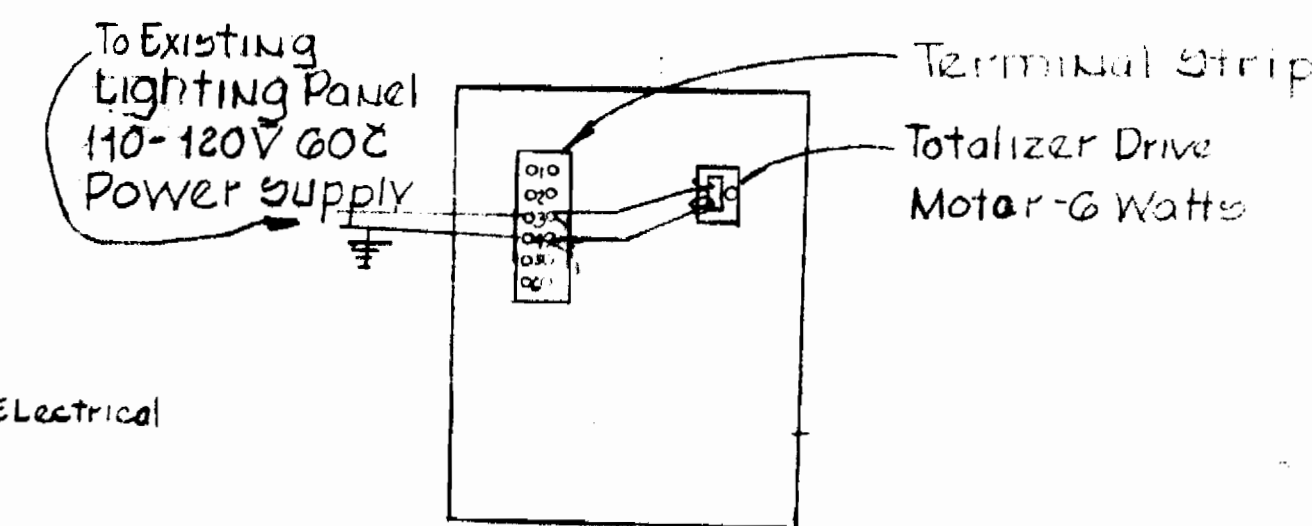


Receiver & Mounting Top View  
NO SCALE



Receiver Side View  
NO SCALE

Totalizer-Indicator shall be a B.I.F. Model 301-04 or approved equal. This unit shall include a retransmission relay switch to operate existing tone transmission equipment



**Wiring Diagram**

NOTE: Retransmission Relay shall be installed by manufacturer in factory or by field engineer at start up

*W.O. Albert*

BUREAU OF ENGINEERING DEPARTMENT OF PUBLIC WORKS HOWARD COUNTY, MARYLAND	DEPARTMENT OF PUBLIC WORKS HOWARD COUNTY, MARYLAND W.O. Albert 4-29-77 CHIEF BUREAU OF ENGINEERING	CONTRACT NO. 733W CAPITAL PROJECT NO. W-4-8055	PLAN & DETAILS	CHESTNUT HILLS PUMP STATION METERING & TELEMETRY IMPROVEMENT	DRAWING NO. 1 OF 1	SCALE AS SHOWN
--	---	---	----------------	---	--------------------	----------------