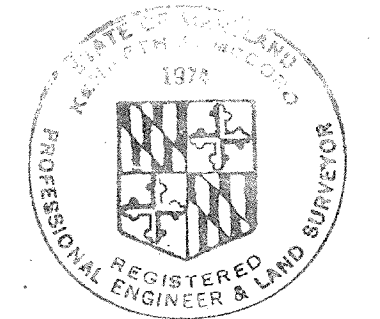


CONTRACT NO. 2701 D-S
VILLAGE OF KINGS CONTRIVANCE
HOWARD COUNTY, MARYLAND
DEPARTMENT OF PUBLIC WORKS

QUANTITIES	
ITEM	QUANTITY
8" Sewer	2286-2325 L.F.



Anniston M. Lord

Sewer: 8" ACP - JOHN'S MANVILLE
 Class 2400 (Unless otherwise noted)

Village of Kings Contrivance
 Part 4 of 4
 Section 1 Area 1
 Contract No. 2701 D-S

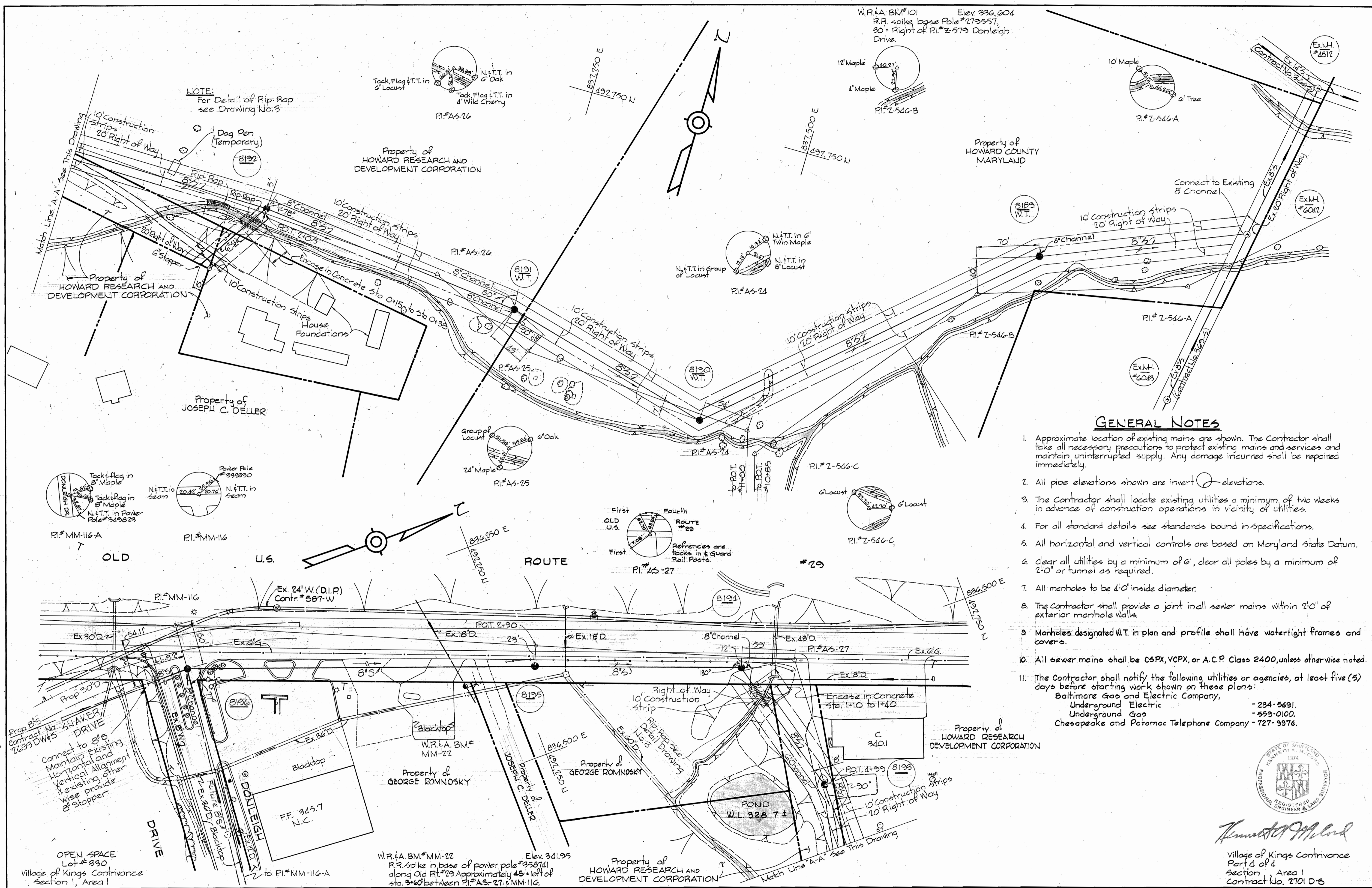
WHITMAN, REQUARDT & ASSOCIATES ENGINEERS 1304 ST. PAUL ST. BALTIMORE, MARYLAND	DEPARTMENT OF PUBLIC WORKS HOWARD COUNTY, MARYLAND <i>P. J. Reagan</i> 10-18-76 DIRECTOR OF PUBLIC WORKS - DATE	<i>W. O. Liberty</i> 10-18-76 CHIEF BUREAU OF ENGINEERING - DATE	CONTRACT NO. <u>2701 D-S</u>	LOCATION MAP OF SEWER MAIN EXTENSIONS	COLUMBIA VILLAGE OF KINGS CONTRIVANCE ELECTION DISTRICT GUILFORD NO. 6	DRAWING NO. <u>1</u> OF <u>3</u>	SCALE <u>1"=800'</u>
-----------------------------------------------------------------------------------------	--------------------------------------------------------------------------------------------------------------------------	---------------------------------------------------------------------	------------------------------	------------------------------------------	------------------------------------------------------------------------------	-------------------------------------	-------------------------

W. O. 6920-2

7-7-77

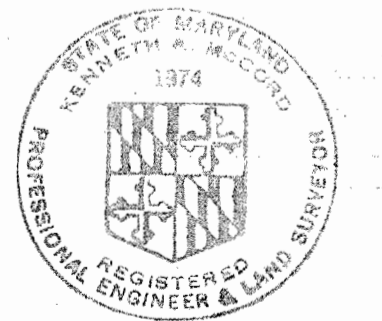
October 14, 1976

15-101-S/A



GENERAL NOTES

1. Approximate location of existing mains are shown. The Contractor shall take all necessary precautions to protect existing mains and services and maintain uninterrupted supply. Any damage incurred shall be repaired immediately.
2. All pipe elevations shown are invert elevations.
3. The Contractor shall locate existing utilities a minimum of two weeks in advance of construction operations in vicinity of utilities.
4. For all standard details see standards bound in specifications.
5. All horizontal and vertical controls are based on Maryland State Datum.
6. Clear all utilities by a minimum of 6', clear all poles by a minimum of 2'-0" or tunnel as required.
7. All manholes to be 4'-0" inside diameter.
8. The Contractor shall provide a joint in all sewer mains within 2'-0" of exterior manhole walls.
9. Manholes designated W.T. in plan and profile shall have watertight frames and covers.
10. All sewer mains shall be CSPX, VCPX, or A.C.P. Class 2400, unless otherwise noted.
11. The Contractor shall notify the following utilities or agencies, at least five (5) days before starting work shown on these plans:
 Baltimore Gas and Electric Company, - 234-5491.
 Underground Electric - 559-0100.
 Underground Gas - 727-9376.
 Chesapeake and Potomac Telephone Company - 727-9376.



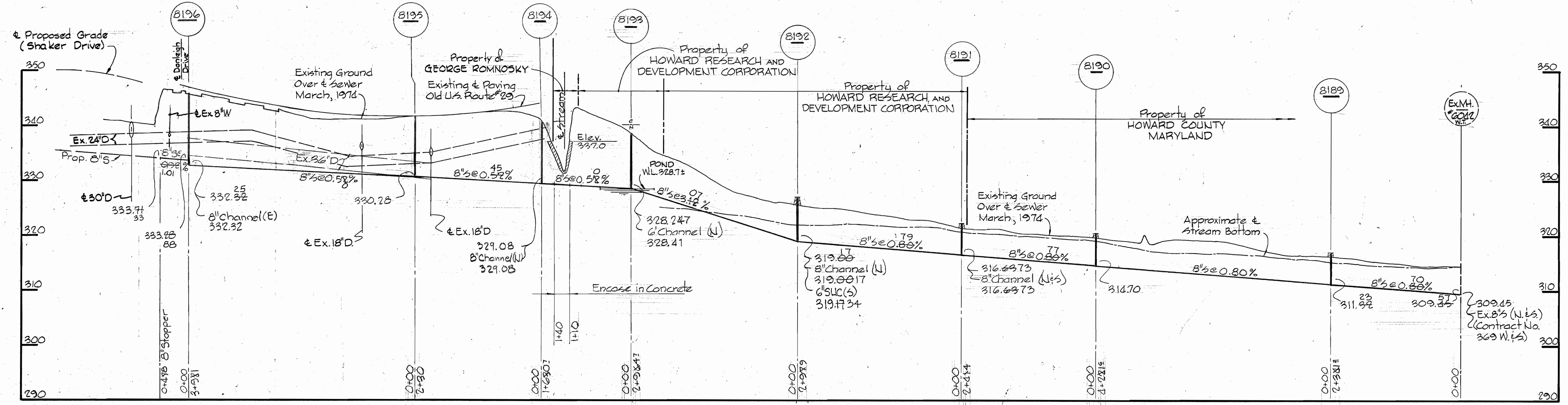
Kenneth J. M. L. L.
 Village of Kings Contrivance
 Part 4 of 4
 Section 1, Area 1
 Contract No. 2701 D-S

WHITMAN, REQUARDT & ASSOCIATES, ENGINEERS 1304 ST. PAUL ST. BALTIMORE, MARYLAND	DEPARTMENT OF PUBLIC WORKS HOWARD COUNTY, MARYLAND 10-18-76 DIRECTOR OF PUBLIC WORKS - DATE	CONTRACT NO. 2701 D-S 10-18-76 CHIEF BUREAU OF ENGINEERING - DATE	PLAN OF SEWER MAINS	COLUMBIA VILLAGE OF KINGS CONTRIVANCE ELECTION DISTRICT GUILFORD NO.6	DRAWING NO. 2 OF 3 SCALE 1" = 50' 491-B, 492-A, 491-479
--------------------------------------------------------------------------------------------------	-------------------------------------------------------------------------------------------------------------	--------------------------------------------------------------------------------	----------------------------	------------------------------------------------------------------------------	-----------------------------------------------------------------------------

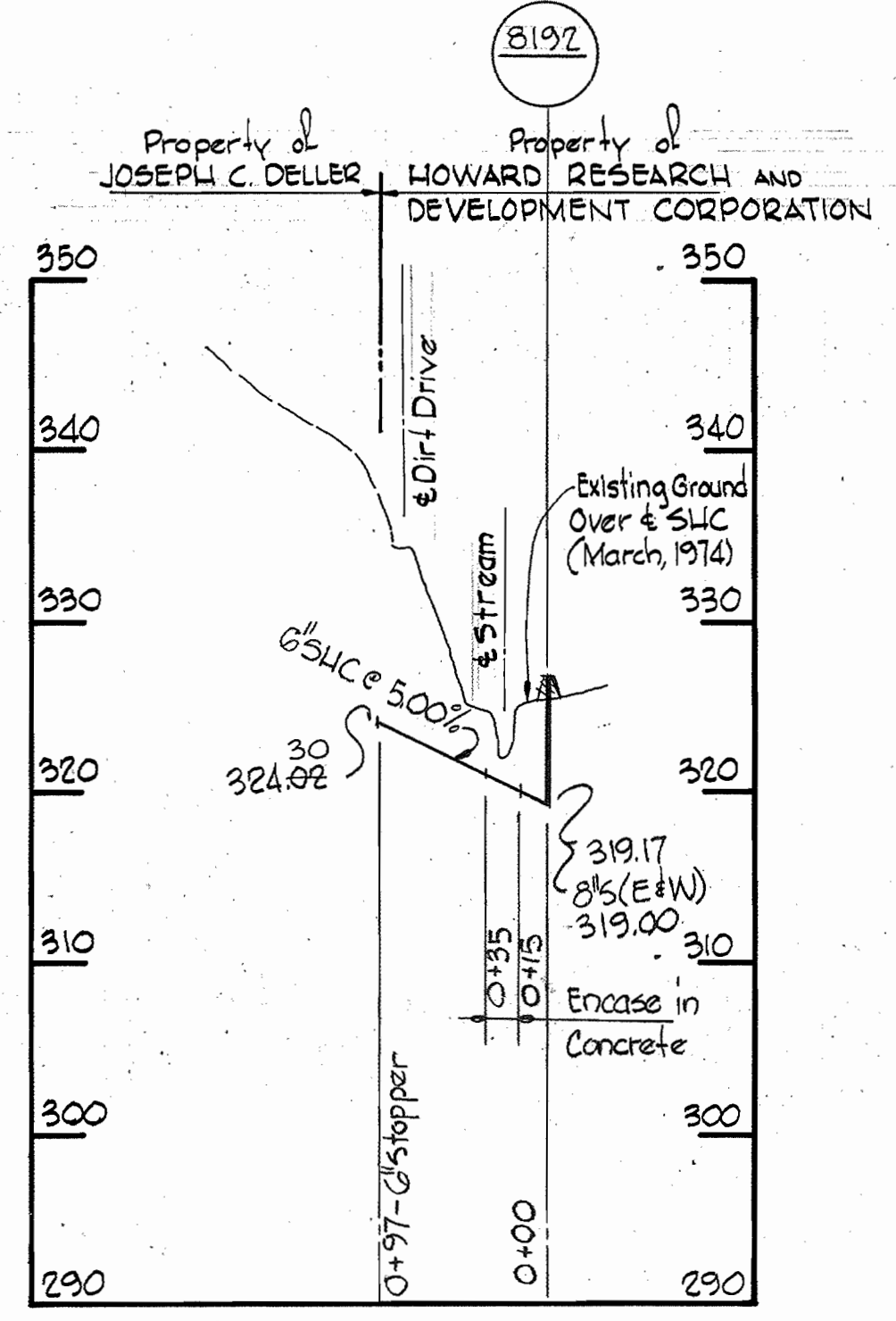
OLD U.S. ROUTE #29

NOTE
Disturbed slopes to be Rip-Rapped
to Elevation 337.0 between Manholes
#8193 & #8194.

NOTE:
Provide MH's #8189, #8190 &
#8191 with Watertight Manhole
frame and covers. Rim elevations
to be set 0.75 above existing
ground. See Standard Detail
No. 6-12.

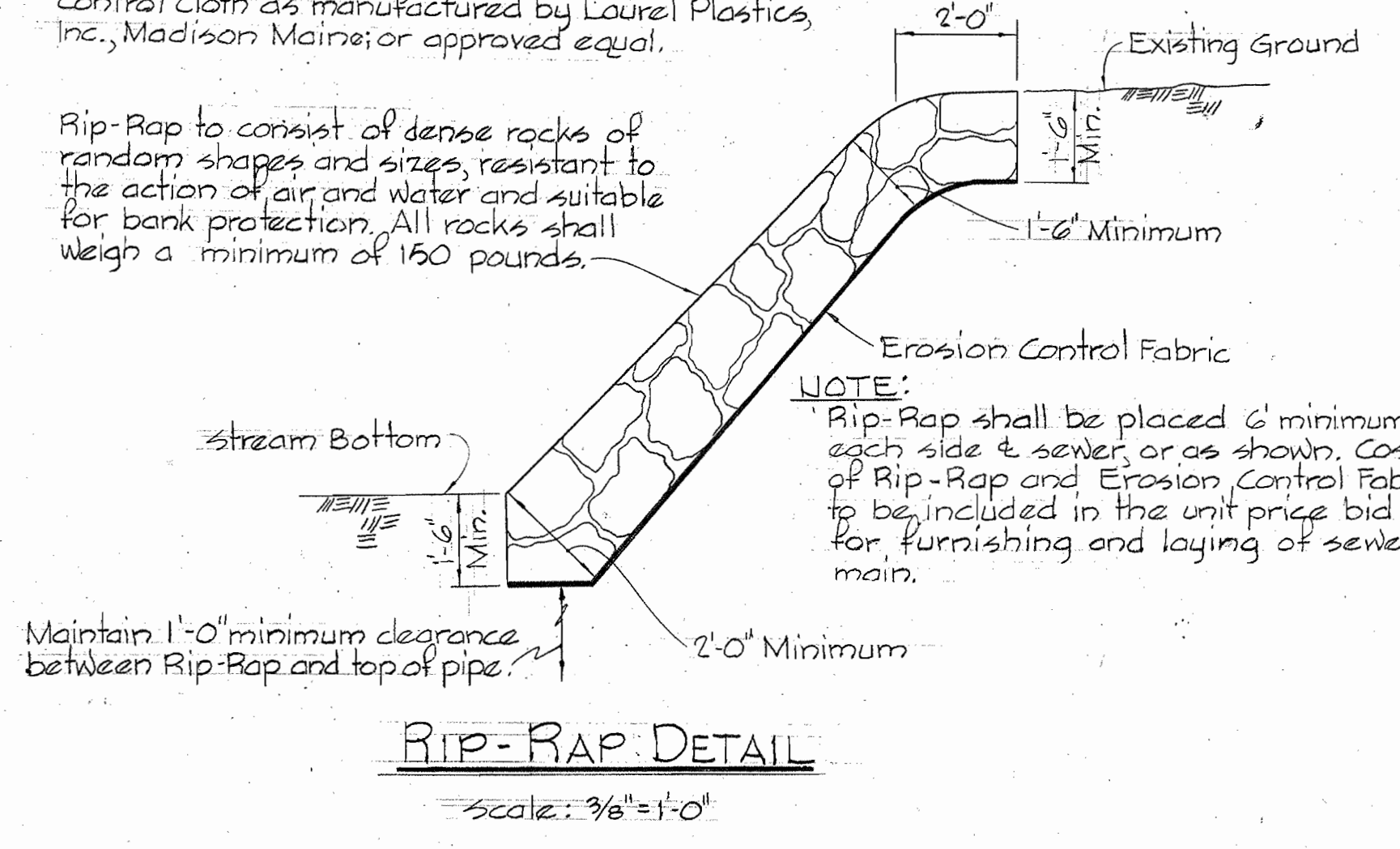


PROFILES
Scale: Hor. 1"=100'
Ver. 1"=10'

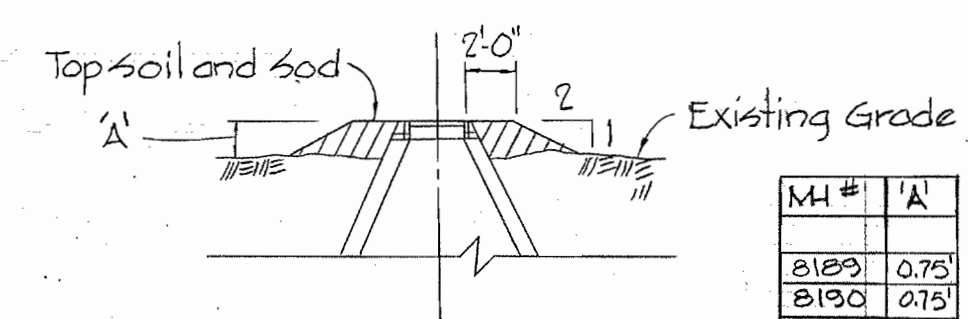
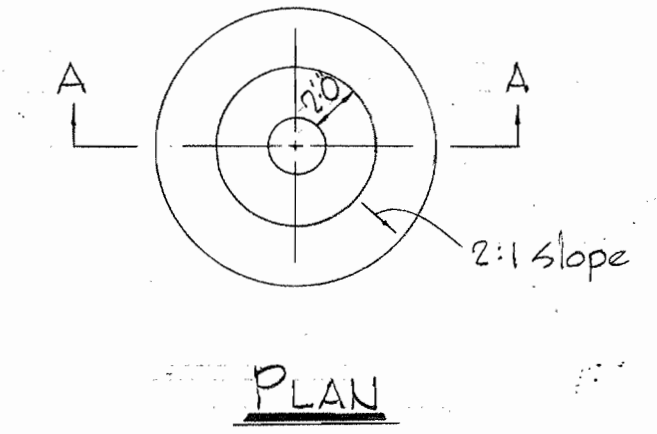


NOTES:
Erosion Control Fabric shall be Poly Filter-X as manufactured
by Carthage Mills Inc., Erosion Control Division,
122 W. 66th Street, Cincinnati, Ohio; Laurel Erosion
Control Cloth as manufactured by Laurel Plastics
Inc., Madison Maine; or approved equal.

Rip-Rap to consist of dense racks of
random shapes and sizes, resistant to
the action of air and water and suitable
for bank protection. All racks shall
weigh a minimum of 150 pounds.

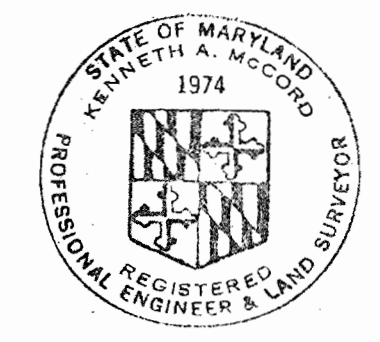


RIP-RAP DETAIL
Scale: 3/8"=1'-0"



SECTION A-A
FILL AT MANHOLE
Scale: 1/8"=1'-0"

MH #	A
8189	0.75
8190	0.75
8191	0.75
8192	1.0



Kenneth A. McCord
Village of Kings Contrivance
Part 2 of 4
Section 1, Area 1
Contract No. 2701 D-5

WHITMAN, REQUARDT & ASSOCIATES ENGINEERS 1304 ST. PAUL ST. BALTIMORE, MARYLAND	DEPARTMENT OF PUBLIC WORKS HOWARD COUNTY, MARYLAND <i>P. J. Reagan</i> 10-11-76 DIRECTOR OF PUBLIC WORKS - DATE	<i>W. O. Albert</i> 10-18-76 CHIEF-BUREAU OF ENGINEERING - DATE	CONTRACT NO. 2701 D-5	PROFILE AND DETAILS OF SEWER MAINS	COLUMBIA VILLAGE OF KINGS CONTRIVANCE ELECTION DISTRICT GUILFORD NO. 6	DRAWING NO. 3 OF 3	SCALE AS SHOWN
-----------------------------------------------------------------------------------------	--------------------------------------------------------------------------------------------------------------------------	--------------------------------------------------------------------	-----------------------	---------------------------------------	------------------------------------------------------------------------------	--------------------------	----------------------

W. O. 6920-2

AS-BUILT 7-7-77

October 14, 1976

WS 701 - 5/3