

PROJECT NO. S-4-6041

CAT ROCK RUN INTERCEPTOR

HOWARD COUNTY, MARYLAND

DEPARTMENT OF PUBLIC WORKS

QUANTITIES			
ITEM	BID	AS-BUILT	MAT./SUPPLY
27" Sewer	245 LF	245.84 LF	P.A. CONCRETE PROD.
21" Sewer	4770 LF	4766.42 LF	R.C.P. - P.A. CONC. PROD.
18" Sewer	130 LF	448.02 LF	R.C.P. - P.A. CONC. PROD.
8" Sewer	140 LF	128.80 LF	D.I.P. - BRIFPIN PROD.
Manholes	185 YF	189.52 LF	P.V.C. CERTAINTED PIP.

Diary: FB: 6617
Stakeout: FB: 6612



Kenneth A. McCord

Cat Rock Run Interceptor
Project No. S-4-6041
Contract No. 680-S

DEPARTMENT OF PUBLIC WORKS
HOWARD COUNTY, MARYLAND
James L. Ellis, 4/3/80, Chief-Bureau of Utilities - DATE
William B. Ray, 4-3-80, Chief-Bureau of Engineering - DATE

WHITMAN, REQUARDT & ASSOCIATES
ENGINEERS
2315 ST. PAUL ST.
BALTIMORE, MARYLAND

DEPARTMENT OF PUBLIC WORKS
HOWARD COUNTY, MARYLAND
David F. Norman, 4-3-80, Director of Public Works - DATE

CONTRACT NO. 680-S
PROJECT NO. S-4-6041

LOCATION MAP

ELECTION DISTRICT
ELLICOTT CITY NO. 2

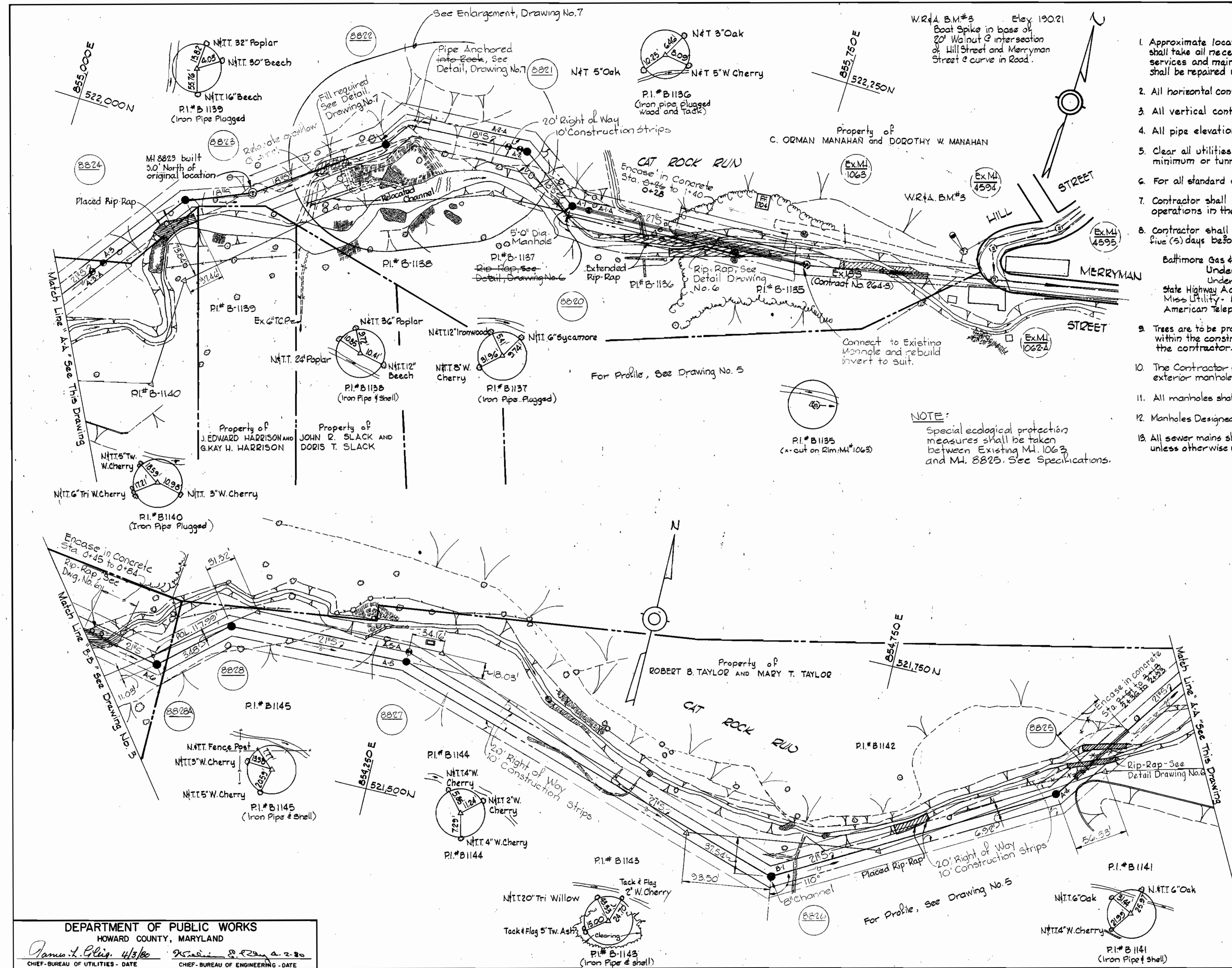
DRAWING NO. 1 OF 7
SCALE AS SHOWN

AS-BUILT August 4, 1981 FB# 5343, 5472, 5624, 5781 March 16, 1981

WS 680 S/1

GENERAL NOTES

1. Approximate locations of existing mains are shown. The contractor shall take all necessary precautions to protect existing mains and services and maintain uninterrupted supply. Any damage incurred shall be repaired immediately at the Contractor's expense.
2. All horizontal controls are based on Maryland State Coordinates.
3. All vertical controls are based on Maryland State Datum.
4. All pipe elevations shown are invert elevations.
5. Clear all utilities by a minimum of 9'. Clear all poles by 2'-0" minimum or tunnel as required.
6. For all standard details see standards bound in specifications.
7. Contractor shall locate existing utilities at least two weeks prior to construction operations in the vicinity of utilities.
8. Contractor shall notify the following utilities or agencies at least five (5) days before starting work shown on these plans.
 - Baltimore Gas & Electric Company -
 - Underground Gas Distribution Engineering - 234-5800
 - Underground Electric Distribution Engineering-Damage Control-234-5848
 - State Highway Administration - 531-5533
 - Miss Utility - 1-555-0100
 - American Telephone and Telegraph - Cable Location Division 301-393-3553
9. Trees are to be protected from damage to maximum extent. Trees located within the construction strip are not to be removed or damaged by the contractor.
10. The Contractor shall provide a joint in all sewer mains within 2'-0" of exterior manhole walls.
11. All manholes shall be 4'-0" inside diameter except where otherwise noted.
12. Manholes Designed W.T. in profile shall have Water-tight Frame and Cover.
13. All sewer mains shall be V.C.P.X., R.C.P. class B-50 or A.C.P. class 3300 unless otherwise noted.



NOTE:
Special ecological protection measures shall be taken between Existing M.I. 1063 and M.I. 8825. See Specifications.

DEPARTMENT OF PUBLIC WORKS
HOWARD COUNTY, MARYLAND
James L. Blig, 4/3/80
CHIEF-BUREAU OF UTILITIES - DATE

WHITMAN, REQUARDT & ASSOCIATES
ENGINEERS
2315 ST. PAUL ST.
BALTIMORE, MARYLAND

DEPARTMENT OF PUBLIC WORKS
HOWARD COUNTY, MARYLAND
4-3-80
DATE

CONTRACT NO. 680-S
PROJECT NO. S-4-6041

PLAN OF
SEWER MAIN

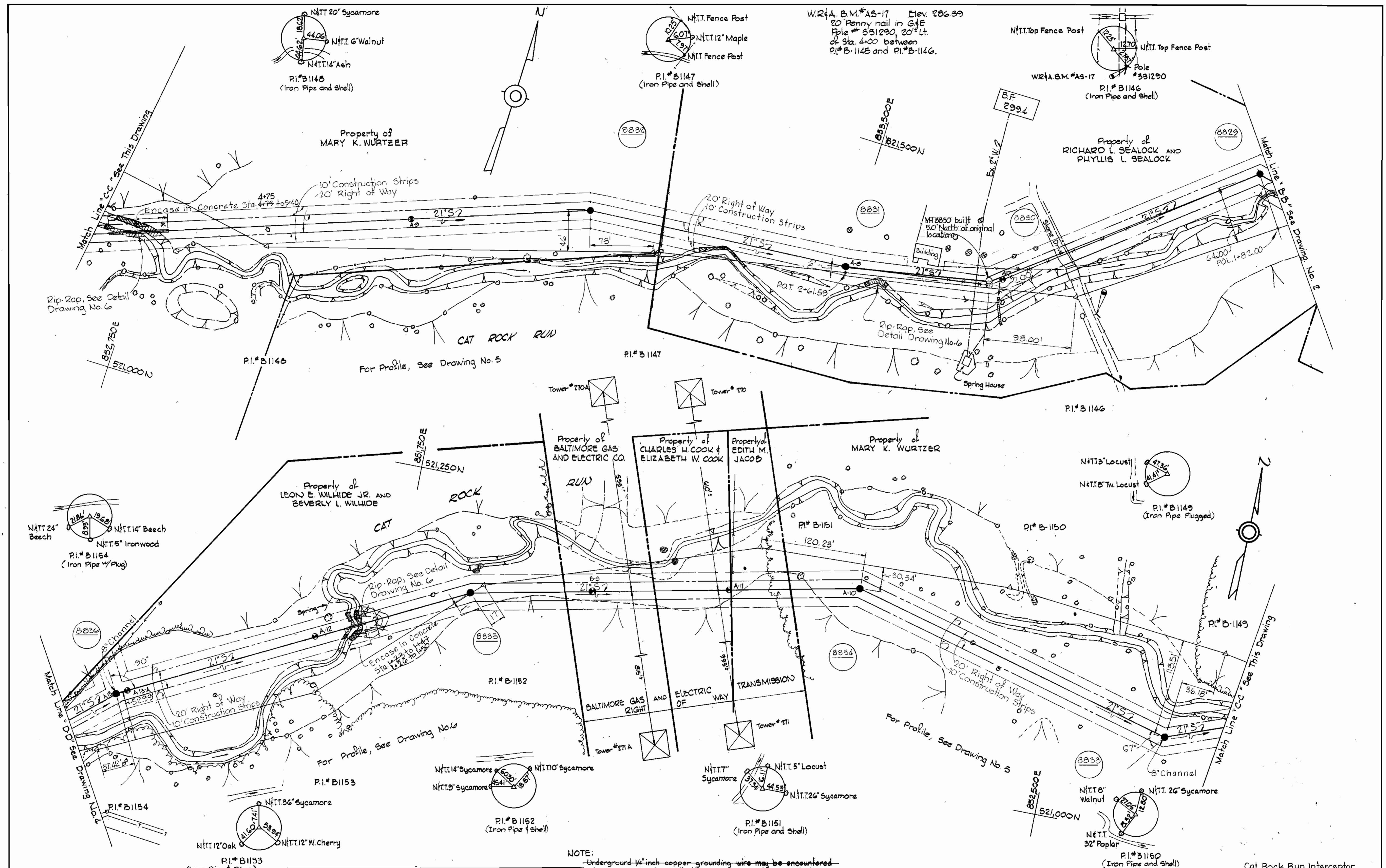
ELECTION DISTRICT
ELICOTT CITY NO.2

DRAWING NO. 2 OF 7
SCALE 1"=50'

Cat Rock Run Interceptor
Project No. S-4-6041
Contract No. 680-S

W.S. 680 S/2

WS 680 S/3



NOTE:
 -Underground 1/4-inch copper grounding wire may be encountered
 -where crossing beneath the B. & E. Co. transmission lines.
 -NOT ENCOUNTERED

WHITMAN, REQUARDT & ASSOCIATES
 ENGINEERS
 2315 ST. PAUL ST.
 BALTIMORE, MARYLAND

DEPARTMENT OF PUBLIC WORKS
 HOWARD COUNTY, MARYLAND
John F. Nalley 4-2-80
 DIRECTOR OF PUBLIC WORKS - DATE
James L. Ellis 4/3/80
 CHIEF-BUREAU OF ENGINEERING - DATE
 CHIEF-BUREAU OF UTILITIES - DATE

CONTRACT NO. **680-S**
 PROJECT NO. **S-4-604I**

PLAN OF
 SEWER MAIN

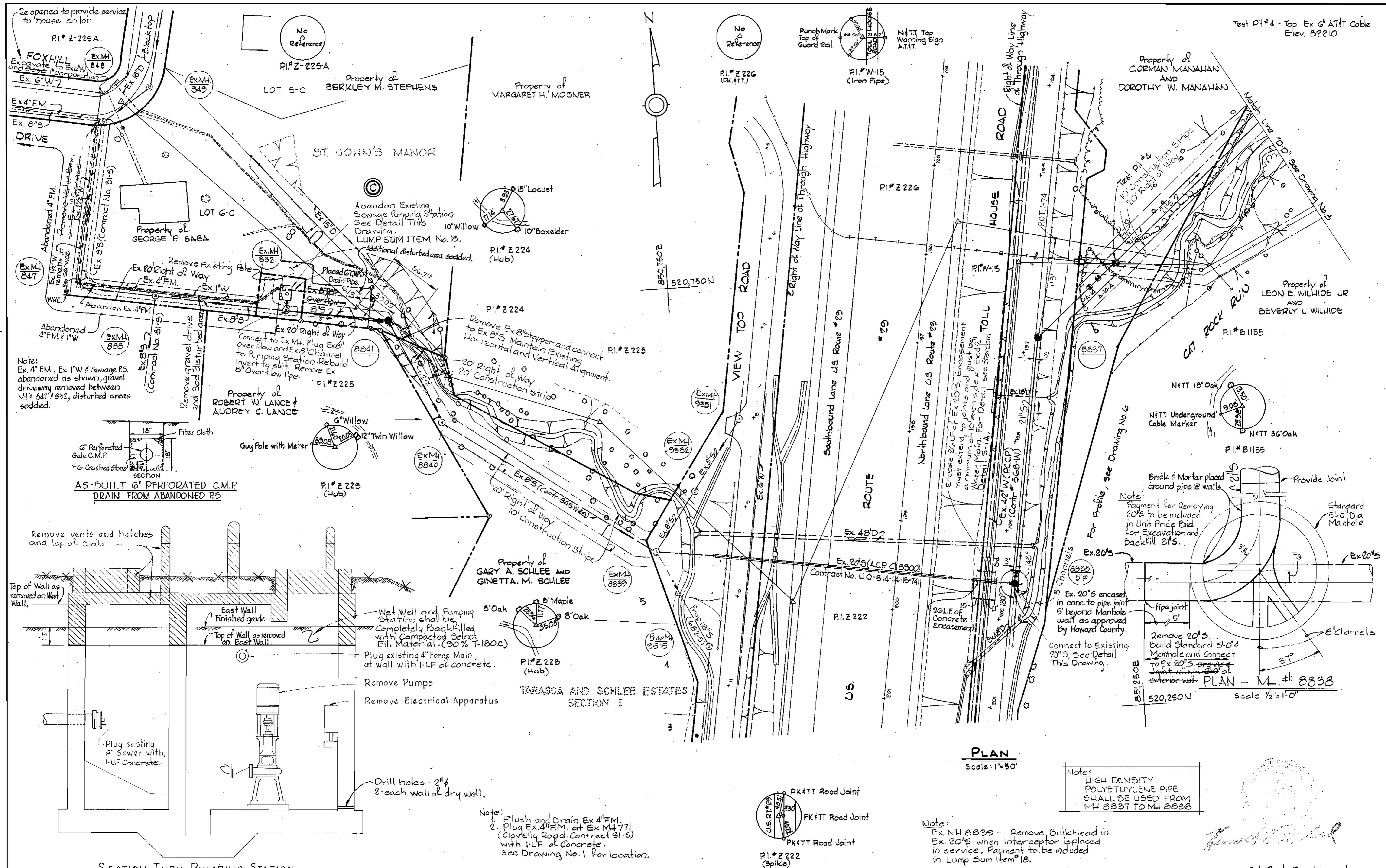
ELECTION DISTRICT
 ELLICOTT CITY NO.2

DRAWING NO. 3 OF 7	SCALE 1"=50'	521-(B)
		520-(2)
		520-(3)

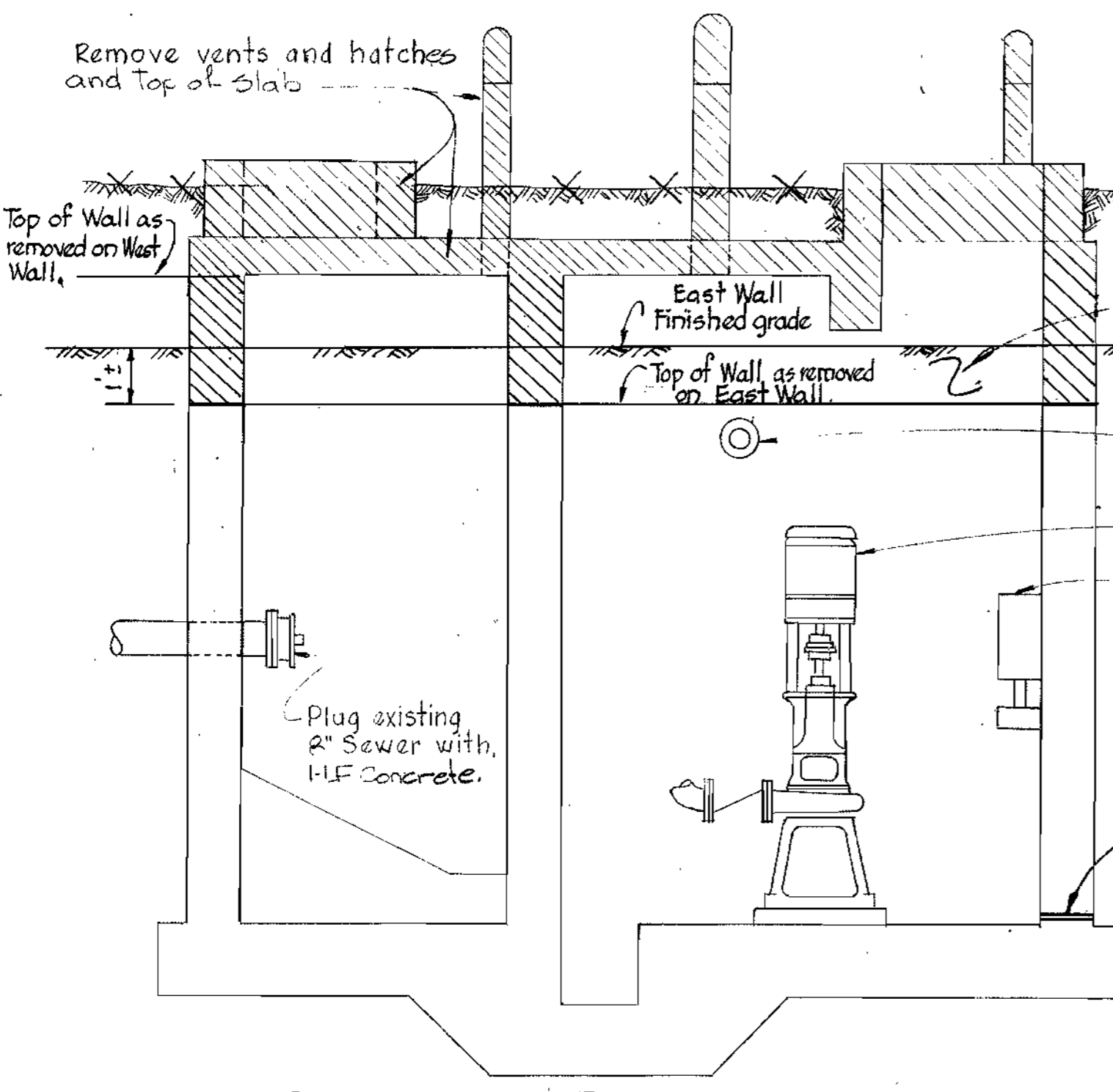
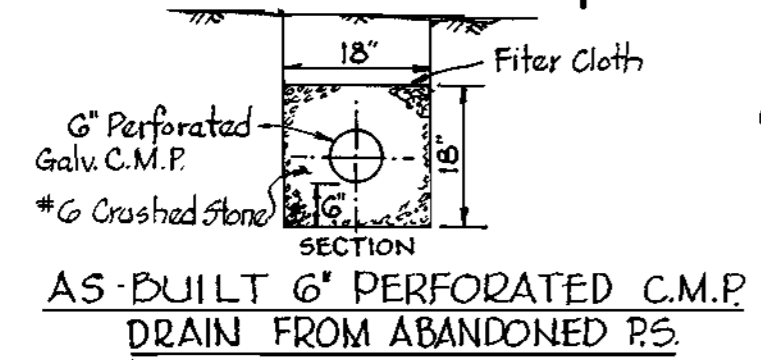
W. O. 6916-2

AS-BUILT August 4, 1982

FB# 5343 5624
August 12, 1984

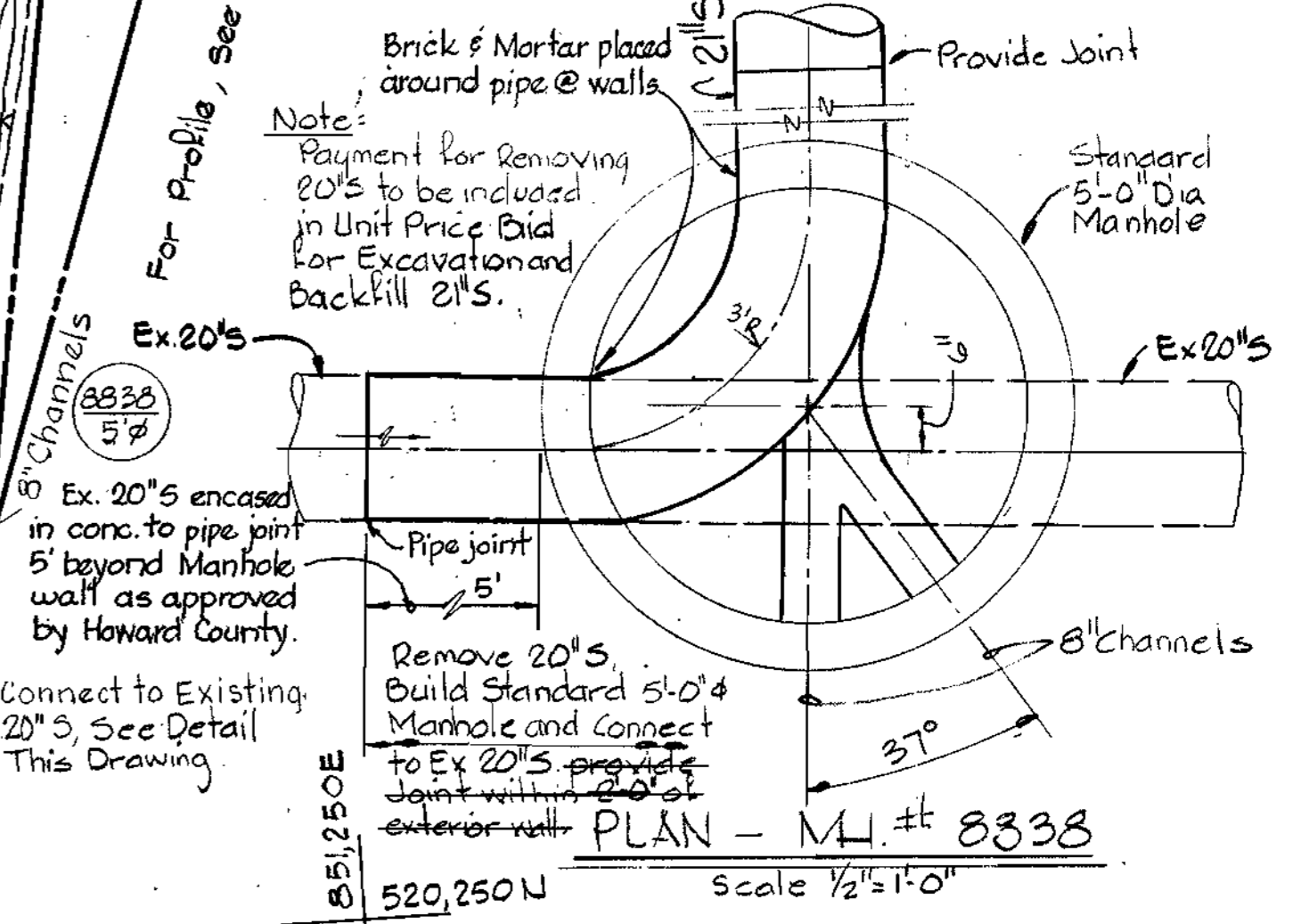


Note:
 Ex. 4" FM, Ex. 1" W & Sewage P's
 abandoned as shown, gravel
 driveway removed between
 MH 847 & 832, disturbed areas
 sodded.



Wet Well and Pumping
 Station shall be
 completely backfilled
 with compacted select
 fill material (90% T-180C).
 Plug existing 4" Force Main
 at wall with 1-LF of concrete.
 Remove Pumps
 Remove Electrical Apparatus
 Drill holes - 2" ϕ
 2-each wall of dry well.

Note:
 Flush and Drain Ex 4" FM,
 2" Plug Ex 2" FM at Ex MH 771
 (Cloverly Road, Contract 31-5)
 with 1-LF of concrete.
 see Drawing No. 1 for location.



Note:
 HIGH DENSITY
 POLYETHYLENE PIPE
 SHALL BE USED FROM
 MH 8837 TO M.I. 8838

Note:
 Ex MH 8839 - Remove Bulkhead in
 Ex 20" S when Interceptor is placed
 in service. Payment to be included
 in Lump Sum Item #18.

Cat Rock Run Interceptor
 Project No. S-4-6041
 Contract No. 680-5

WHITMAN, REQUARDT & ASSOCIATES
 ENGINEERS
 2315 ST. PAUL ST.
 BALTIMORE, MARYLAND

DEPARTMENT OF PUBLIC WORKS
 HOWARD COUNTY, MARYLAND
 Director of Public Works - DATE
 Chief - Bureau of Engineering - DATE
 Chief - Bureau of Utilities - DATE

CONTRACT NO. 680-S
 PROJECT NO. S-4-6041

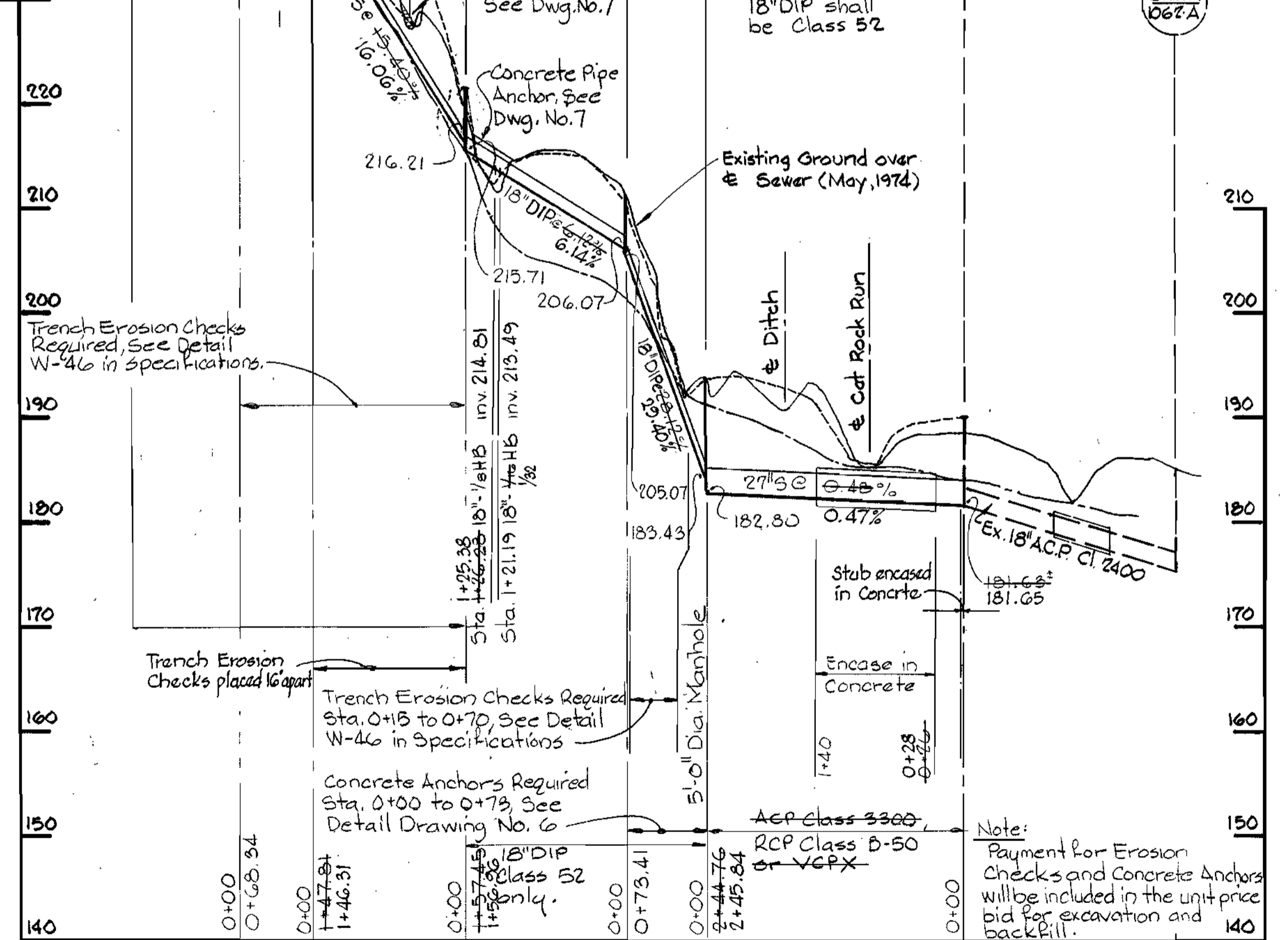
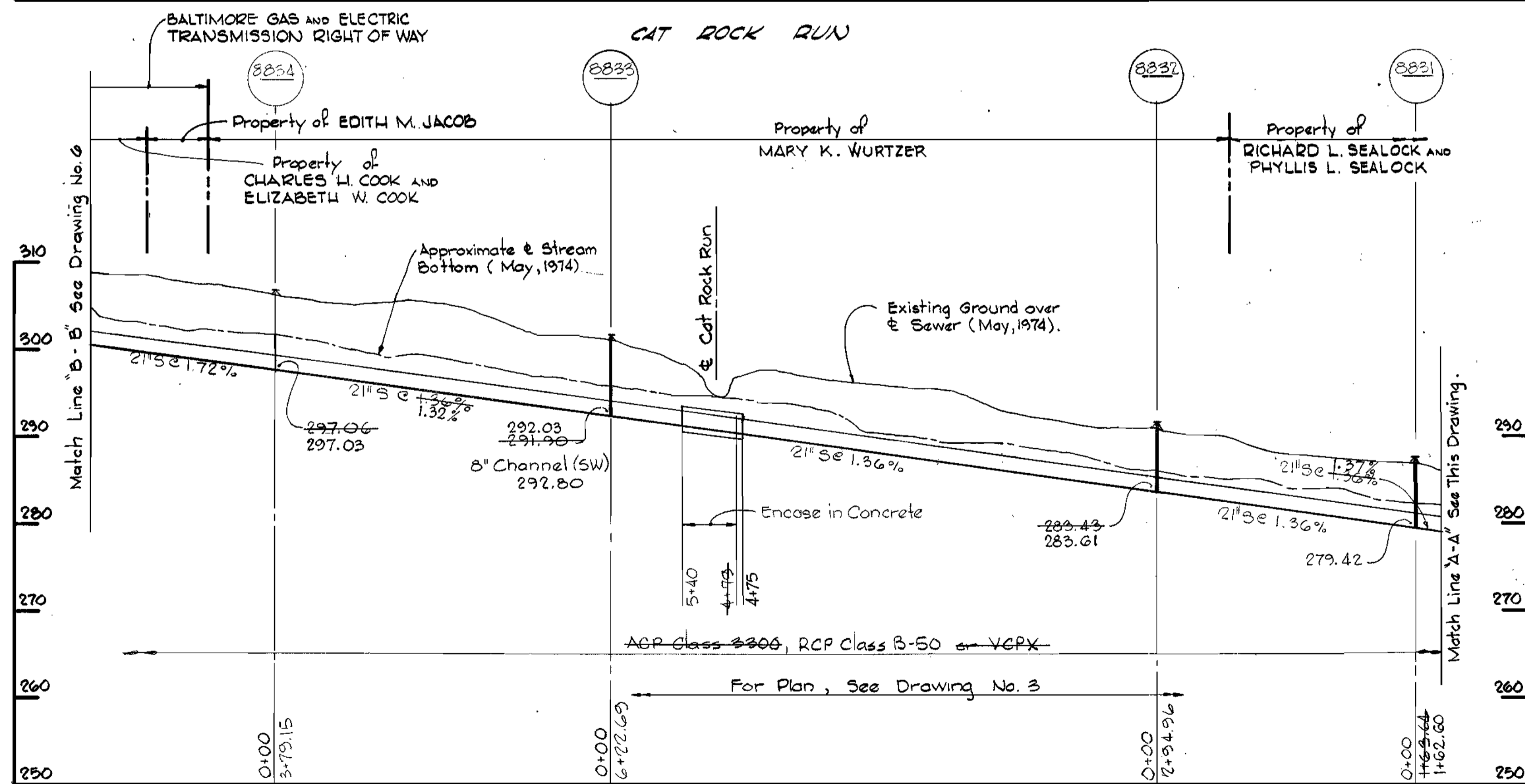
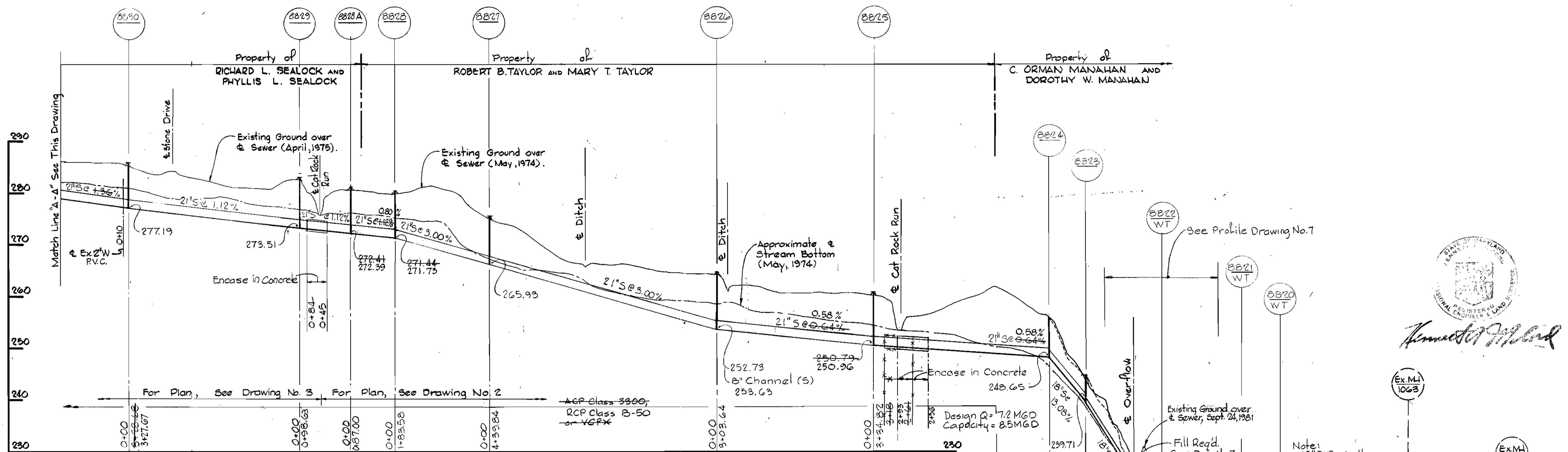
PLAN AND DETAIL
 OF SEWER MAIN

ELECTION DISTRICT
 ELLICOTT CITY NO. 2

DRAWING NO. 4 OF 7
 SCALE AS SHOWN

WS 680 S/4

CAT ROCK RUN



Professional Engineer Seal
 State of Maryland
 License No. 1067A
 EX.M.I. 1063
 EX.M.I. 1067A

WHITMAN, REQUARDT & ASSOCIATES
 ENGINEERS
 2315 ST. PAUL ST.
 BALTIMORE, MARYLAND

DEPARTMENT OF PUBLIC WORKS
 HOWARD COUNTY, MARYLAND
 Director: *Henry F. Neuman* 4-3-80
 Chief - Bureau of Engineering - Date: *4-2-80*
 Chief - Bureau of Utilities - Date: *4/3/80*

CONTRACT NO. 680-S
 PROJECT NO. S-4-604I

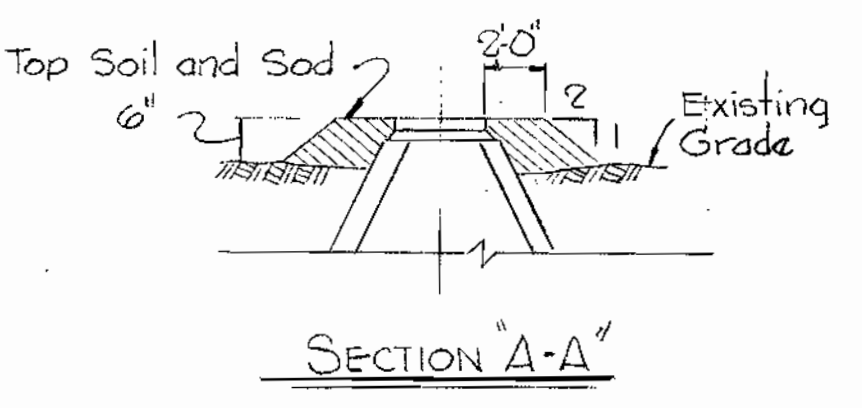
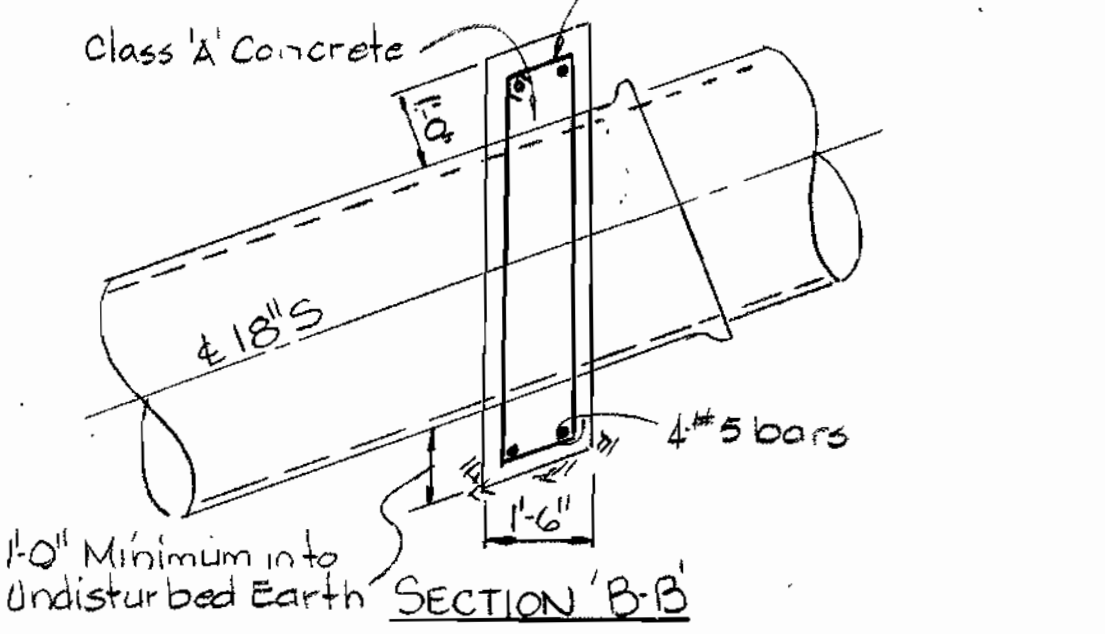
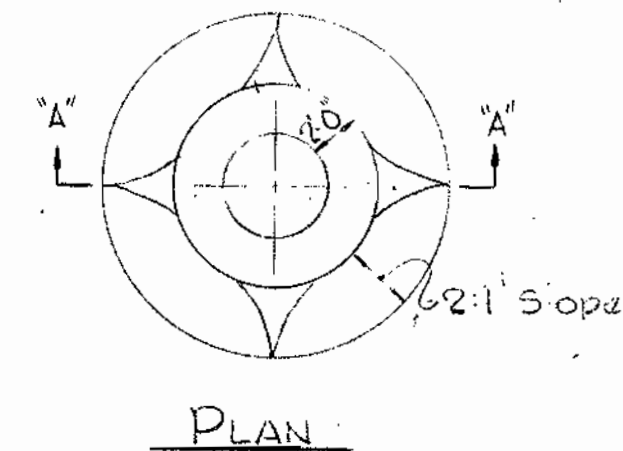
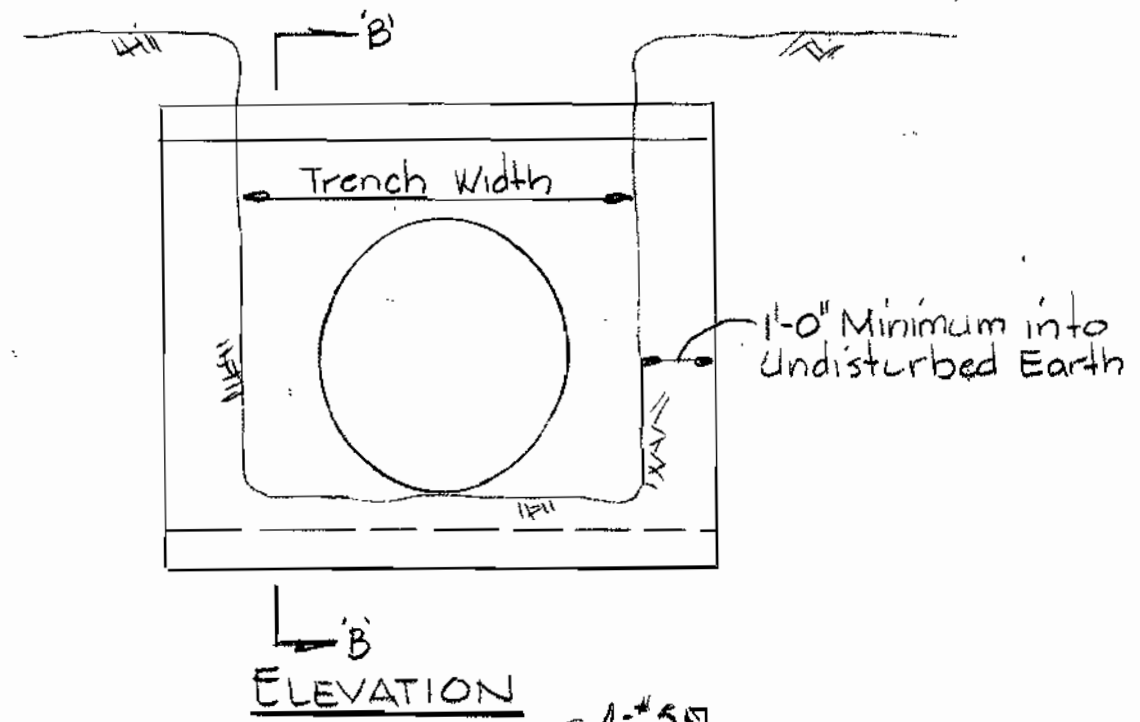
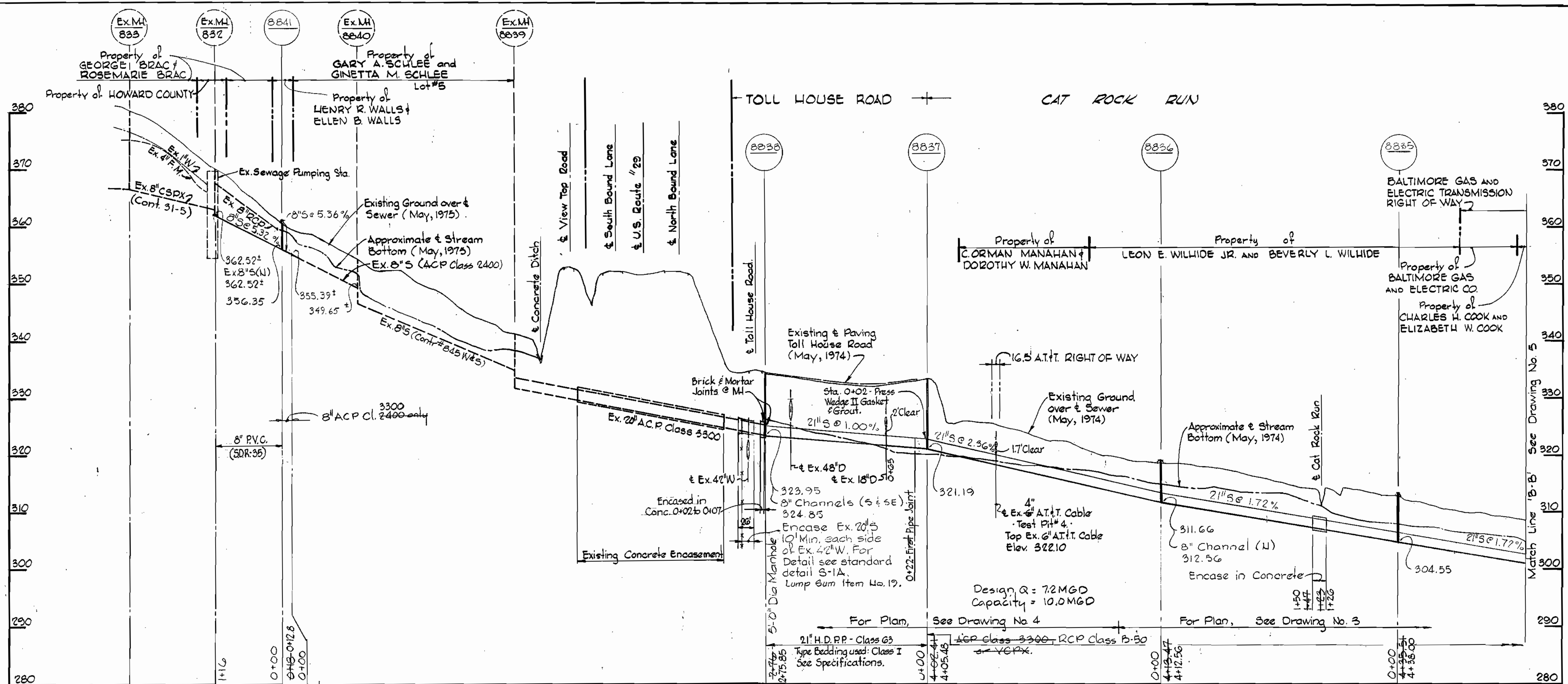
PROFILES OF
 SEWER MAIN

ELECTION DISTRICT
 ELLICOTT CITY NO.2

DRAWING NO. 5 OF 7
 SCALE H: 1"=100' V: 1"=10'

Cat Rock Run Interceptor
 Project No. S-4-604I
 Contract No. 680-S

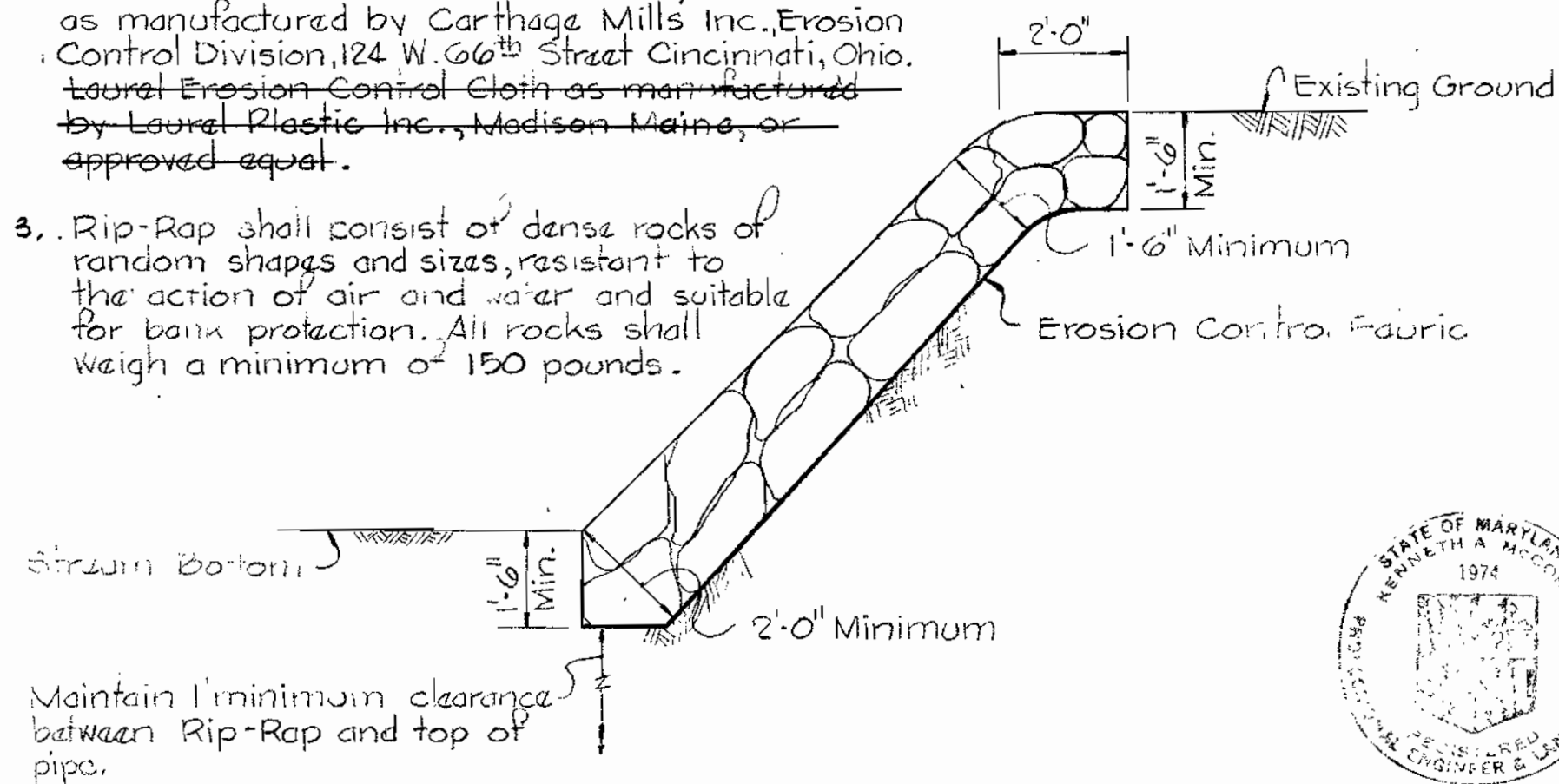
WS 680 S/5



FILL AT MANHOLES NO'S
8825, 8826, 8827, 8828, 8828-A, 8829, 8830, 8831, 8832, 8833, 8834, 8835, 8836, AND 8841
Scale 3/8"=1'-0"

NOTES:

- Rip-Rap shall be placed 6" minimum each side of sewer or as shown.
- Erosion Control Fabric shall be Poly Filter-X as manufactured by Carthage Mills Inc., Erosion Control Division, 124 W. 66th Street Cincinnati, Ohio. Laurel Erosion Control Cloth as manufactured by Laurel Plastic Inc., Madison Maine, or approved equal.
- Rip-Rap shall consist of dense rocks of random shapes and sizes, resistant to the action of air and water and suitable for bank protection. All rocks shall weigh a minimum of 150 pounds.



PROFILE
Scale: H: 1"=100'
V: 1"=10'

DEPARTMENT OF PUBLIC WORKS
HOWARD COUNTY, MARYLAND
James L. G. [Signature] 4/3/80
CHIEF - BUREAU OF UTILITIES - DATE
[Signature] 4-3-80
CHIEF - BUREAU OF ENGINEERING - DATE

WHITMAN, REQUARDT & ASSOCIATES
ENGINEERS
2315 ST. PAUL ST.
BALTIMORE, MARYLAND

DEPARTMENT OF PUBLIC WORKS
HOWARD COUNTY, MARYLAND
[Signature] 4-3-80
DIRECTOR OF PUBLIC WORKS DATE

CONTRACT NO. 680-S
PROJECT NO. S-4-6041

PROFILES AND DETAILS OF
SEWER MAIN

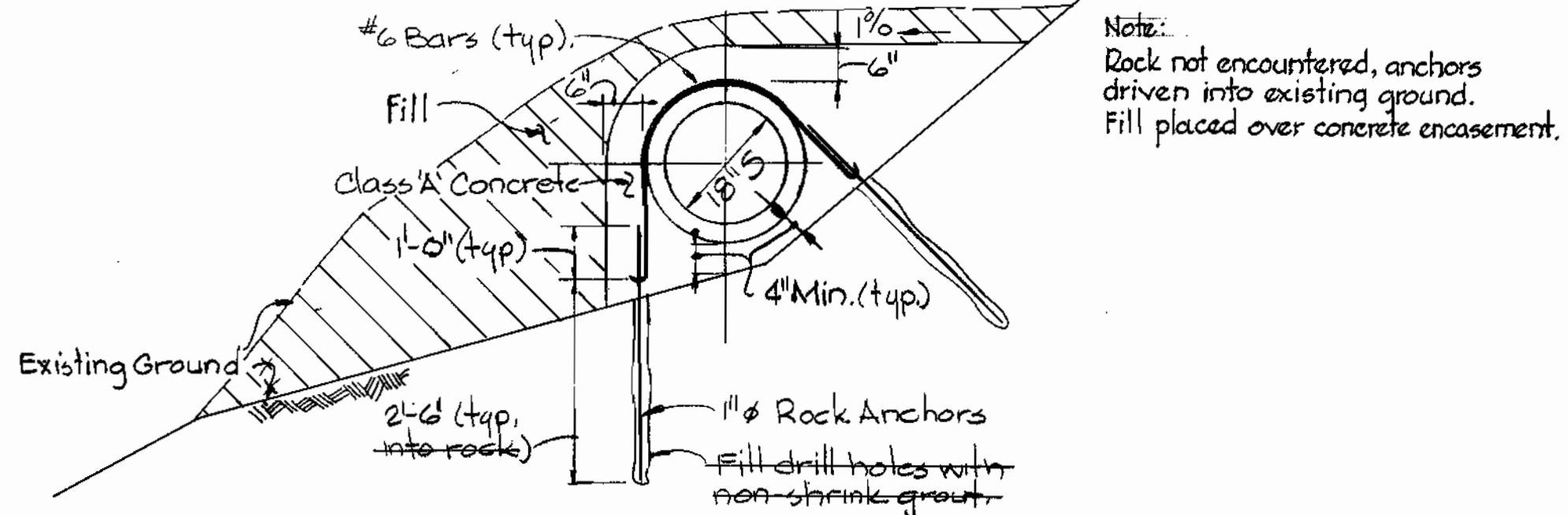
ELECTION DISTRICT
ELLCOTT CITY NO. 2

DRAWING NO. 6 OF 7
SCALE AS SHOWN

Cat Rock Run Interceptor
Project No. S-4-6041
Contract No. 680-S

WS 680 5/6

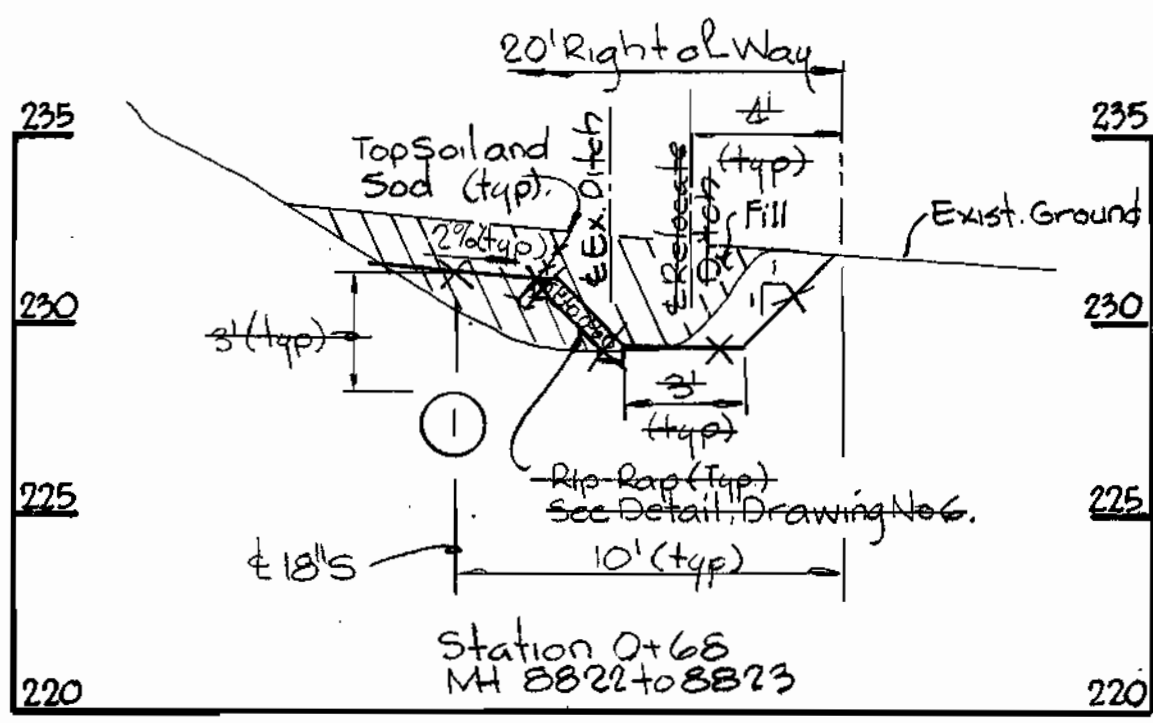
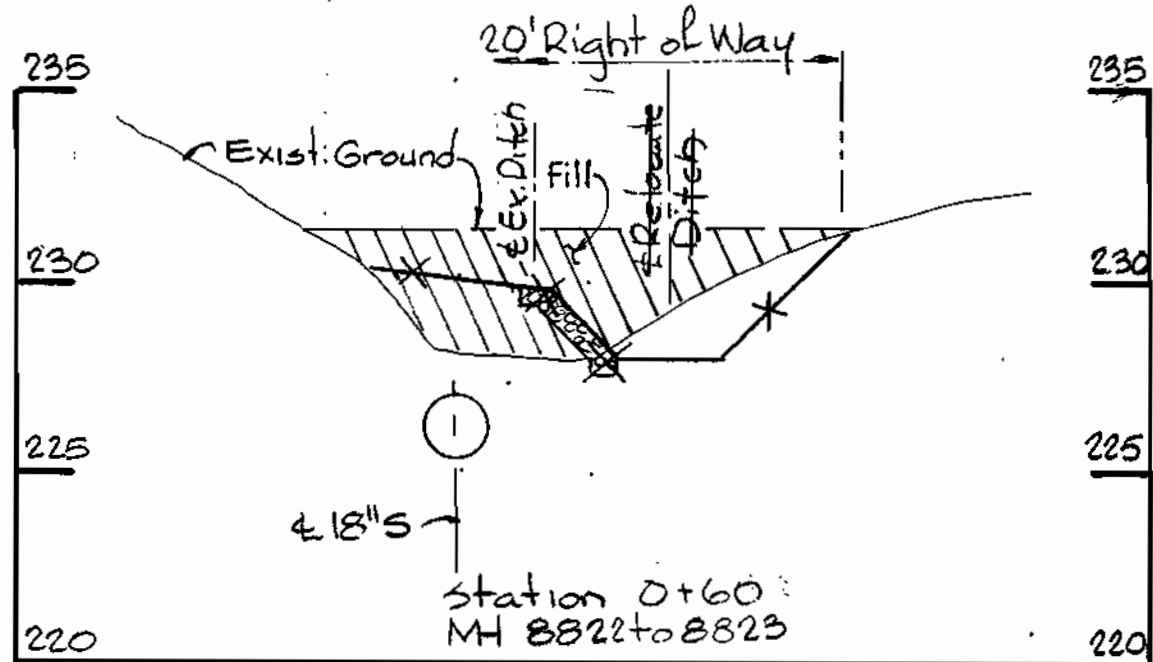
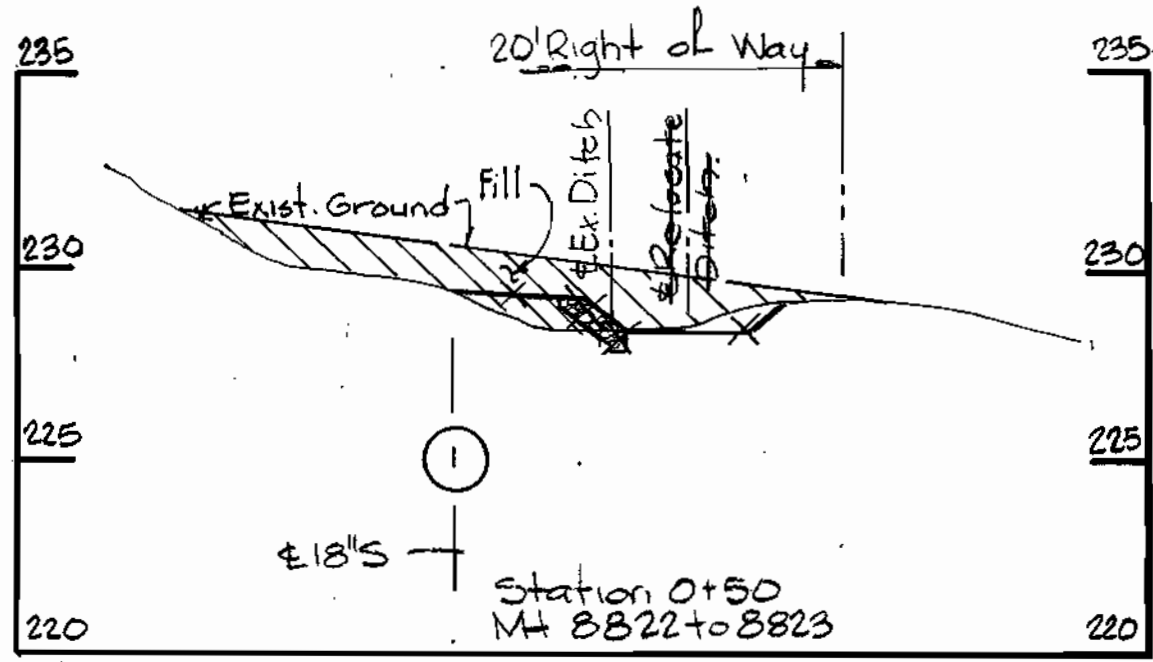
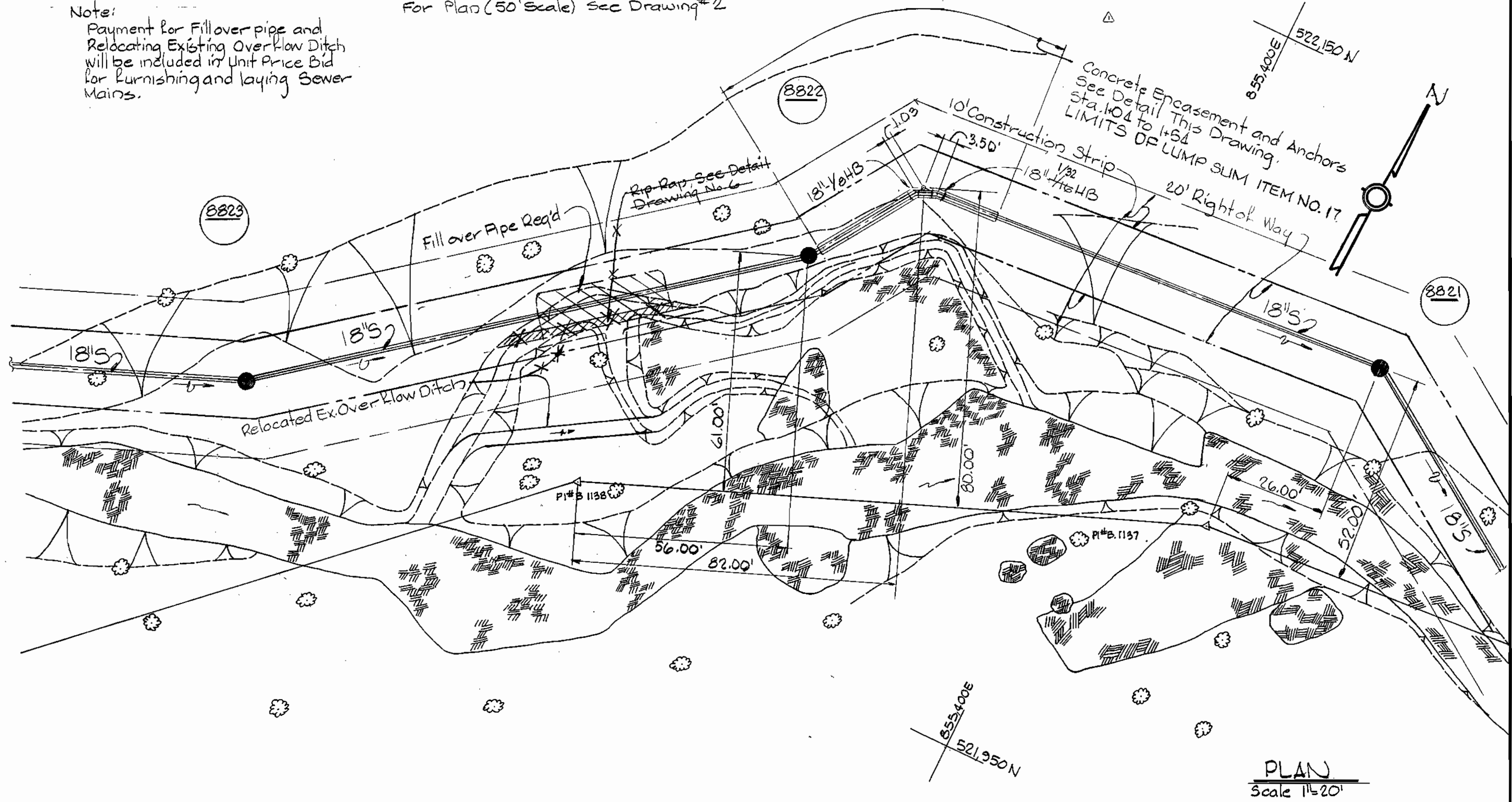
Note:
Provide one anchor for each pipe and fitting.



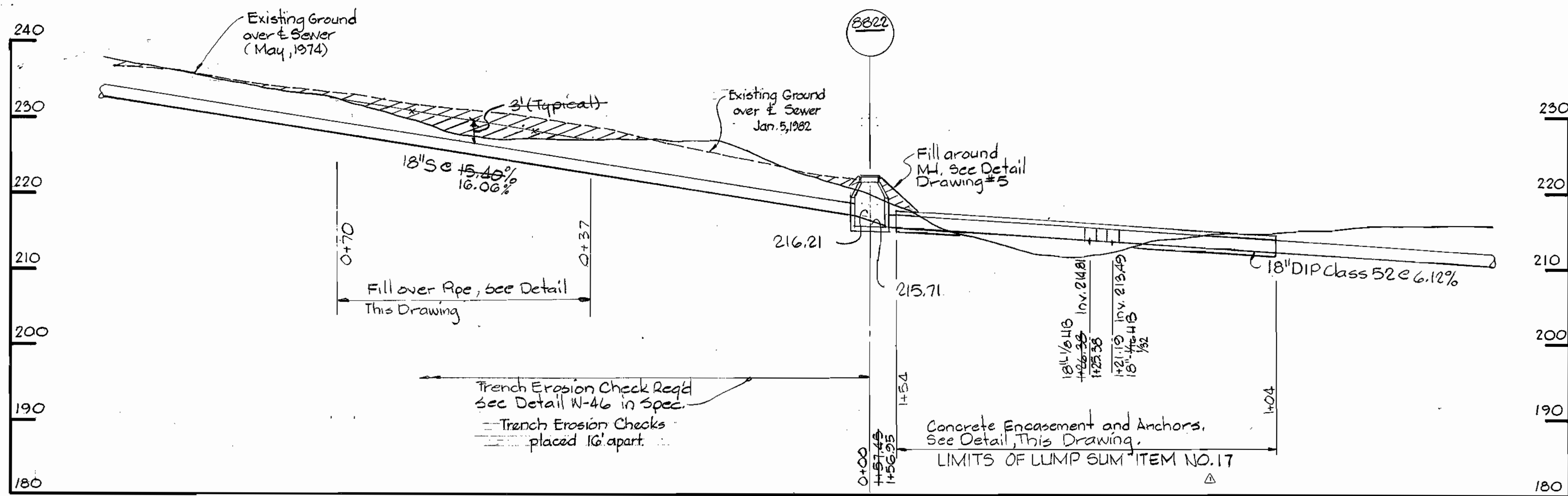
CONCRETE ENCASMENT AND ANCHOR DETAIL
Scale 1/2"=1'-0"

Note:
Payment for Fill over pipe and Relocating Existing Overflow Ditch will be included in Unit Price Bid for Furnishing and laying Sewer Mains.

For Plan (50' Scale) see Drawing #2



FILL OVER PIPE
Scale 1"=5'



PROFILE
Scale: Horiz. 1"=10', Vert. 1"=10'



Cat Rock Interceptor
Project No. S-4-6041
Contract No. 680-S

DEPARTMENT OF PUBLIC WORKS
HOWARD COUNTY, MARYLAND
James L. Gleason, Chief-Bureau of Utilities-DATE
Whitman, Requardt & Associates, Engineers
2315 ST. PAUL ST.
BALTIMORE, MARYLAND

DEPARTMENT OF PUBLIC WORKS
HOWARD COUNTY, MARYLAND
4-3-80
DIRECTOR OF PUBLIC WORKS

CONTRACT NO. 680-S
PROJECT NO. S-4-6041

PLAN, PROFILE AND DETAILS
OF SEWER MAIN

NO.	DATE	REVISIONS
1	4-24-80	Revised limits on Concrete Encasement and Anchors

ELECTION DISTRICT
ELLCOTT CITY NO. 2

DRAWING NO. 7 OF 7
SCALE AS SHOWN

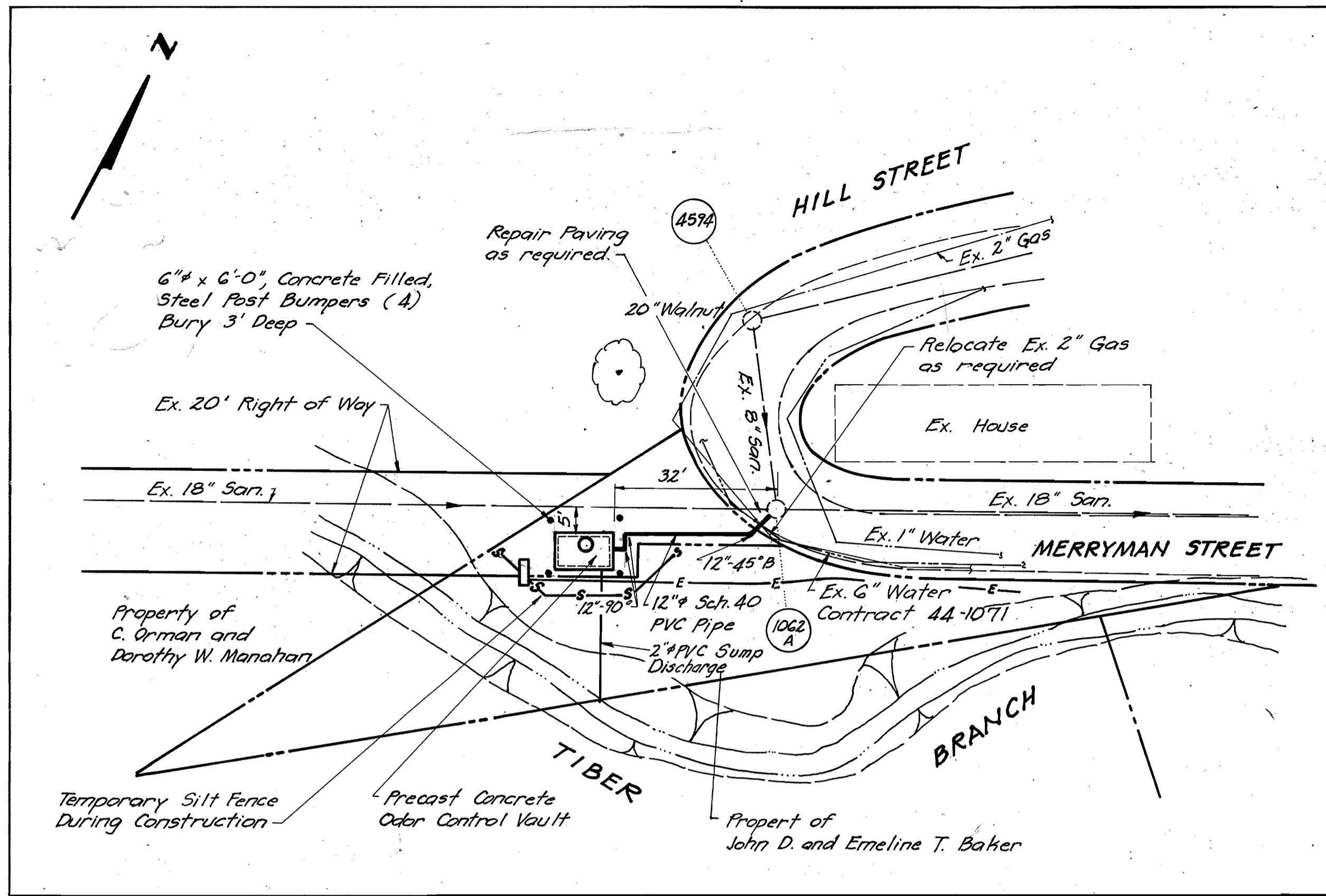
W.O.

AS-BUILT

August 4, 1982

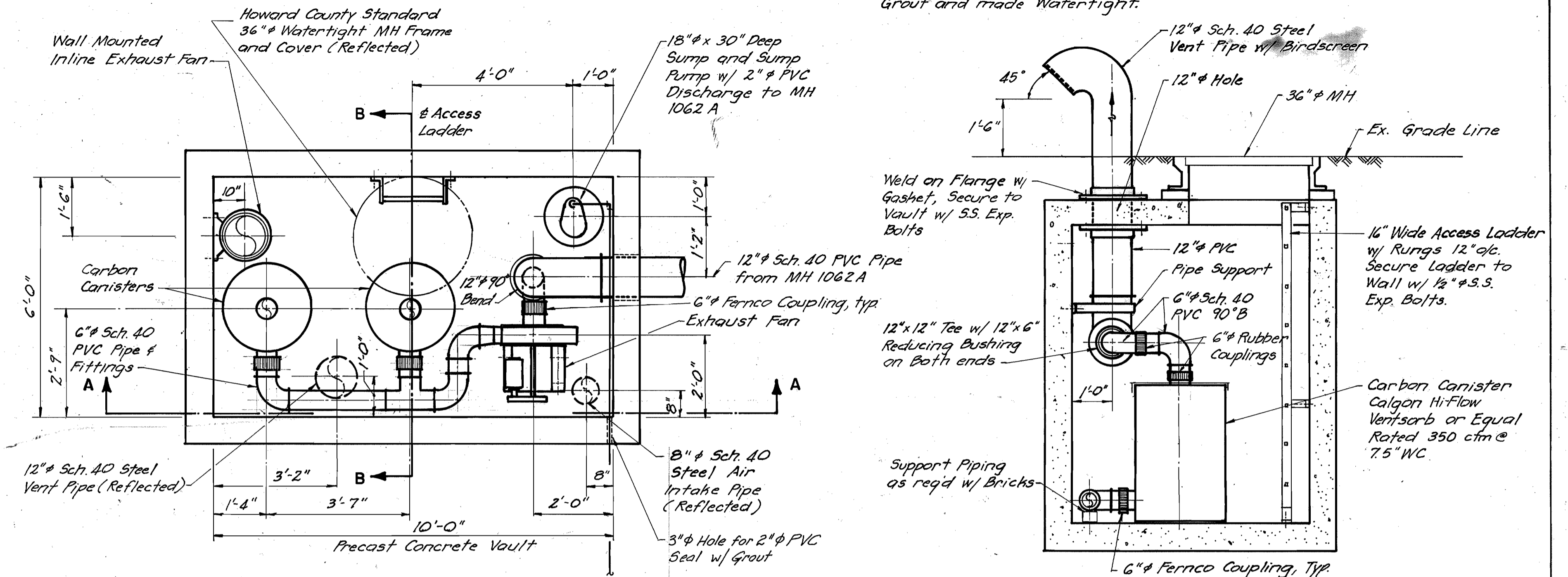
March 12, 1981

WS 680 S/7



MERRYMAN STREET ODOR CONTROL VAULT

SCALE: 1" = 20'

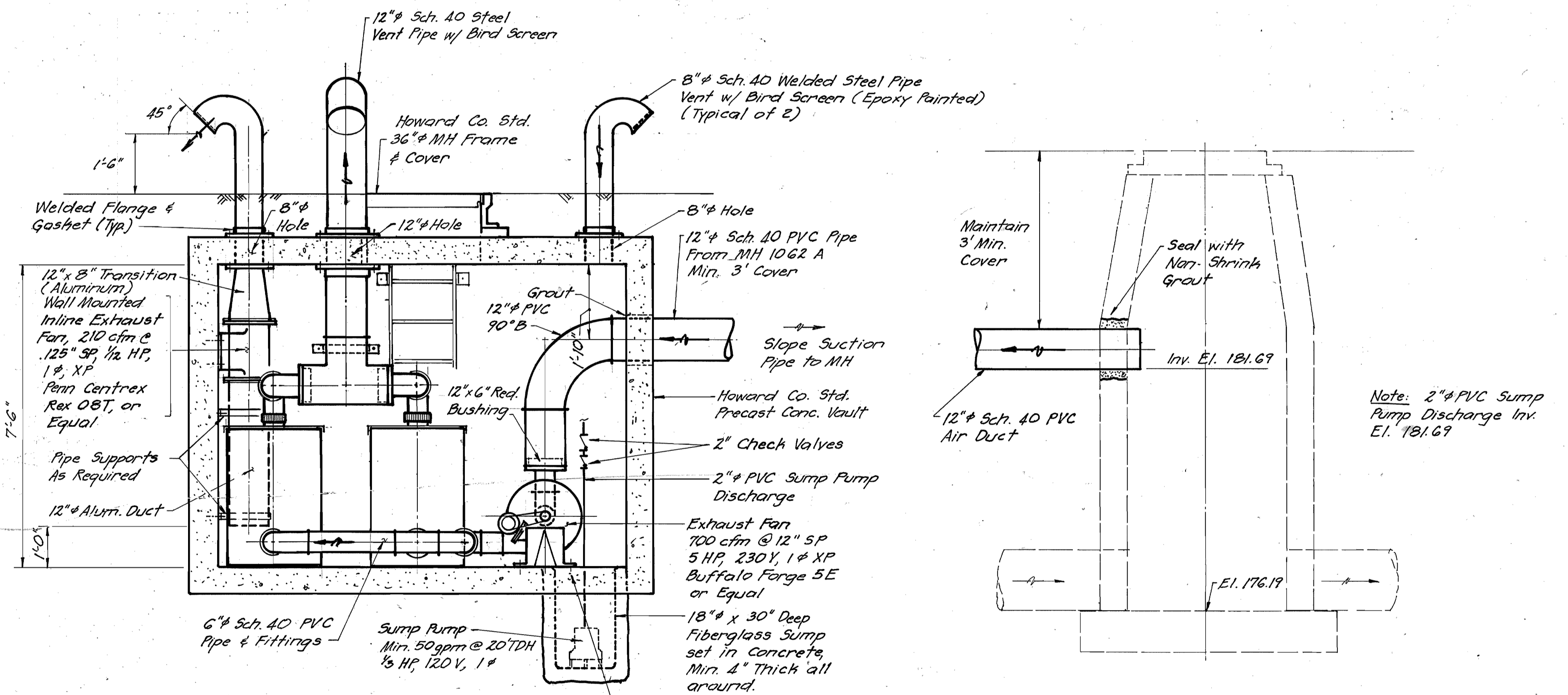


PLAN

SCALE: 1/2" = 1'-0"

SECTION B-B

SCALE: 1/2" = 1'-0"



SECTION A-A

SCALE: 1/2" = 1'-0"

SECTION - EXISTING MH 1062 A

SCALE: 1/2" = 1'-0"

RECORD DRAWING MAY 01 1986

DEPARTMENT OF PUBLIC WORKS
HOWARD COUNTY, MARYLAND

Michael J. ...
DIRECTOR OF PUBLIC WORKS
DATE: 8-7-86

Robert ...
CHIEF, BUREAU OF UTILITIES
DATE: 8-6-86

William B. ...
CHIEF, BUREAU OF ENGINEERING
DATE: 8/1/86

Charles ...
CHIEF, UTILITY DIVISION
DATE: 8/1/86

GANNETT FLEMING ENVIRONMENTAL ENGINEERS, INC.
BALTIMORE, MARYLAND

David ...
REGISTERED PROFESSIONAL ENGINEER

DES: T J			
DRN: J K			
CHK: J D R			
DATE: AUG 85	BY NO.	REVISION	DATE

MERRYMAN STREET
ODOR CONTROL VAULT

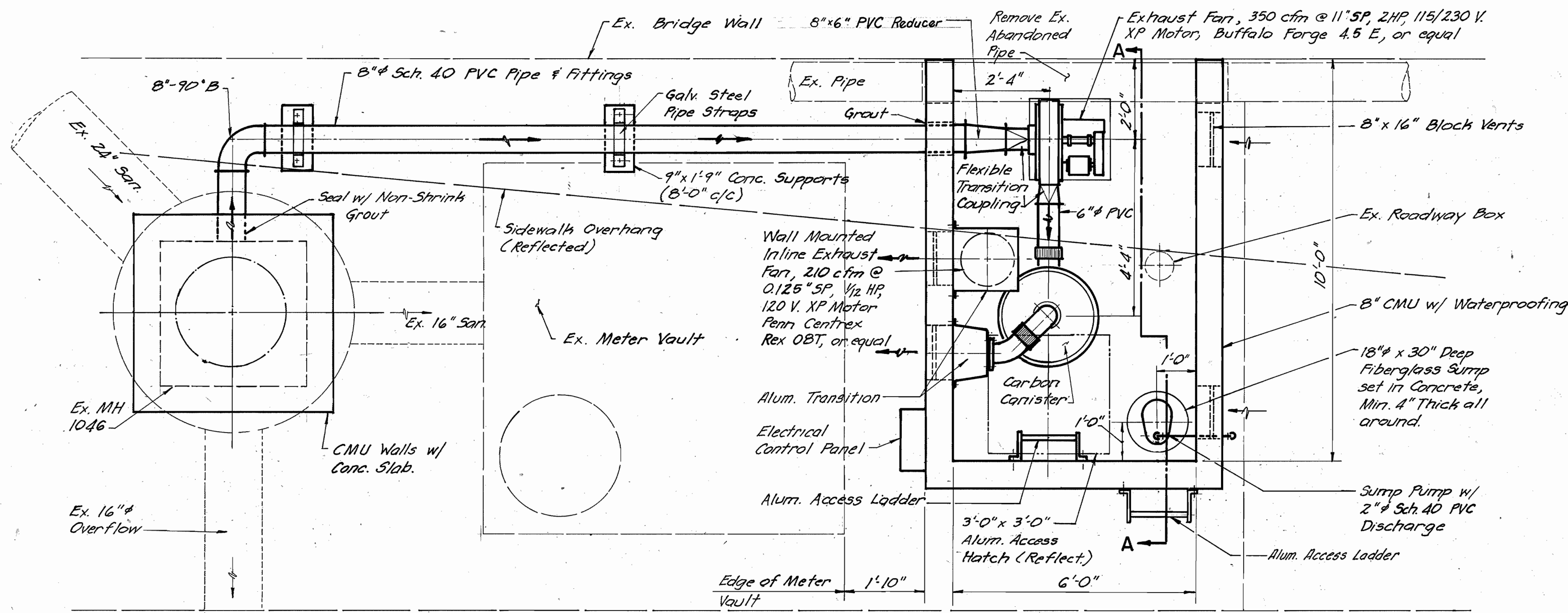
600' SCALE MAP NO. 25 BLOCK NO. 7

ODOR STUDY - CAT ROCK INTERCEPTOR

CAPITAL PROJECT S-6041
CONTRACT NO. 680 A-S
ELECTION DISTRICT NO. 2
HOWARD COUNTY, MARYLAND

SCALE AS SHOWN

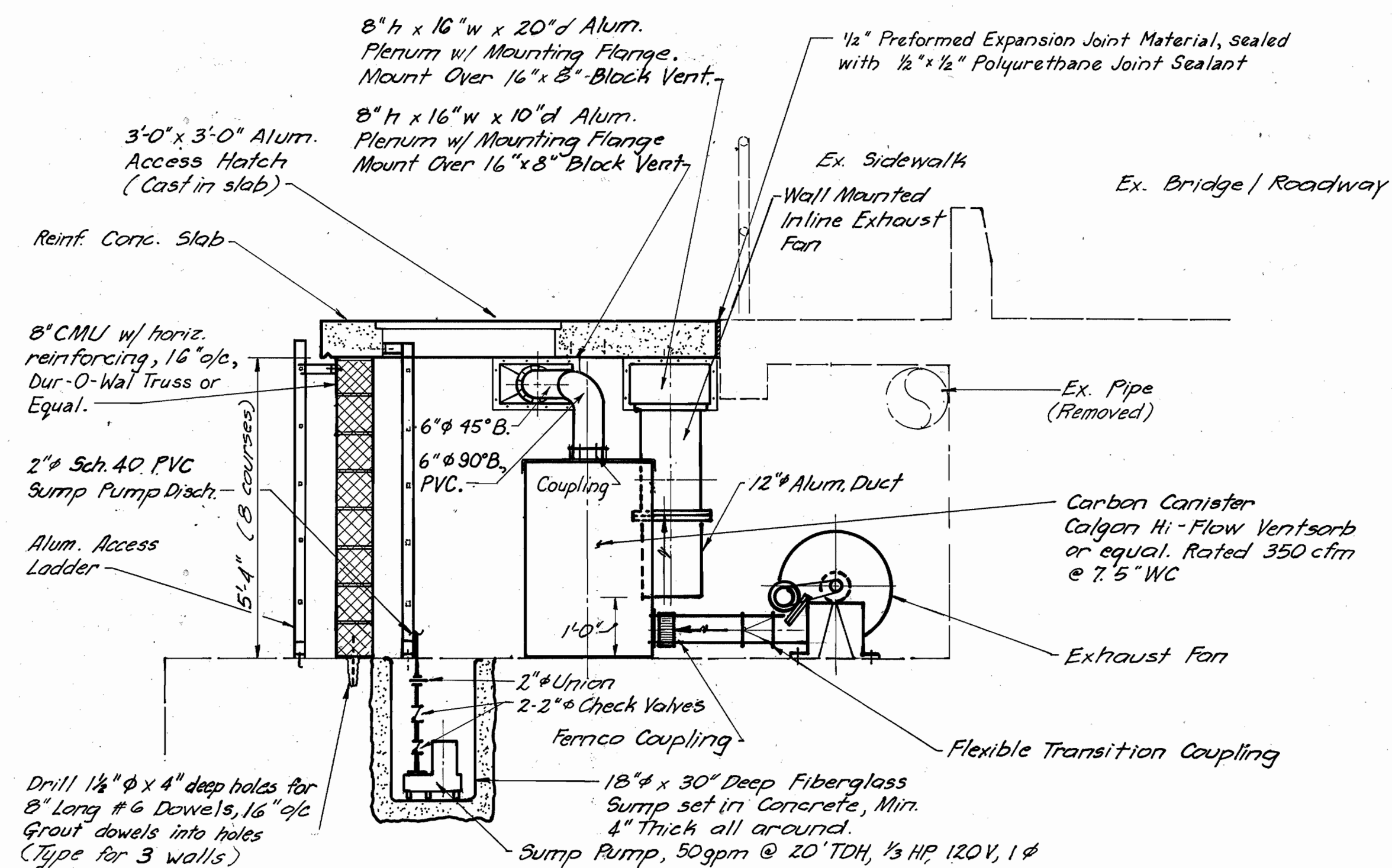
SHEET 1 OF 3
T-33771



PLAN - PATAPSCO RIVER ODOR CONTROL VAULT

SCALE: 1/2" = 1'-0"

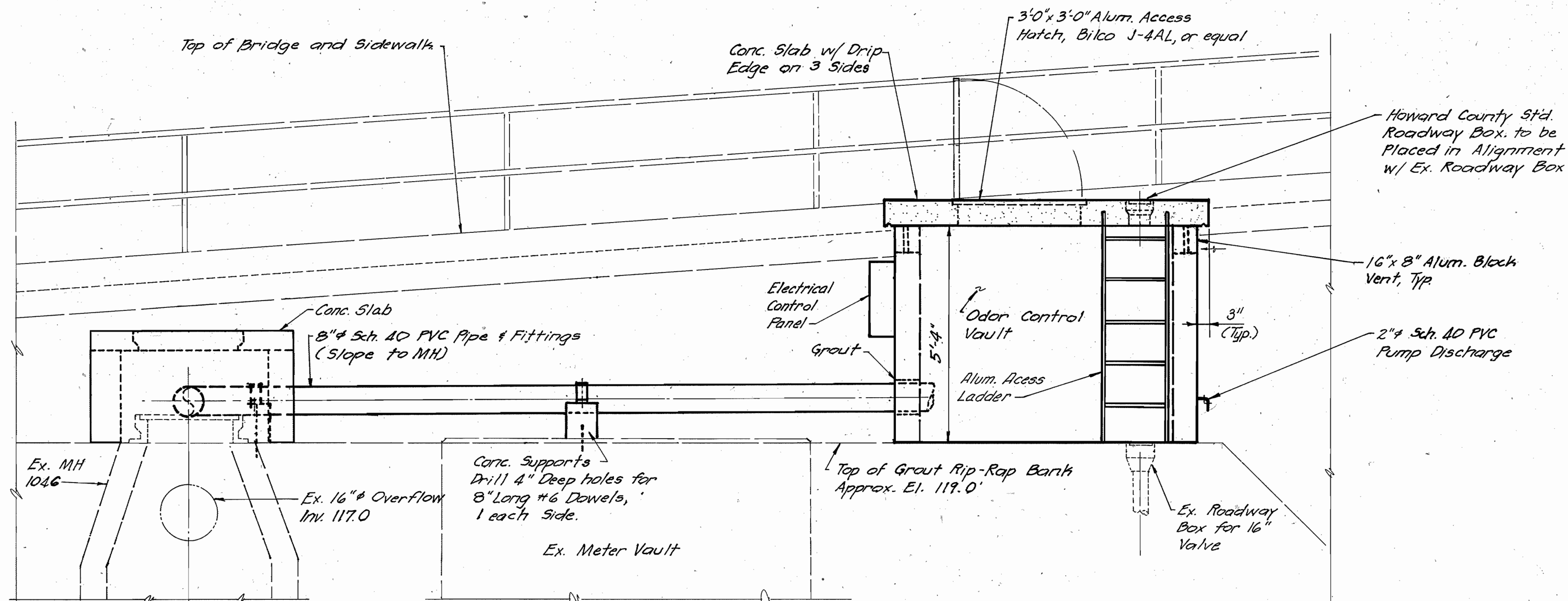
Note: For Electrical Work See Sheet 3 of 3.



SECTIONAL ELEVATION A-A

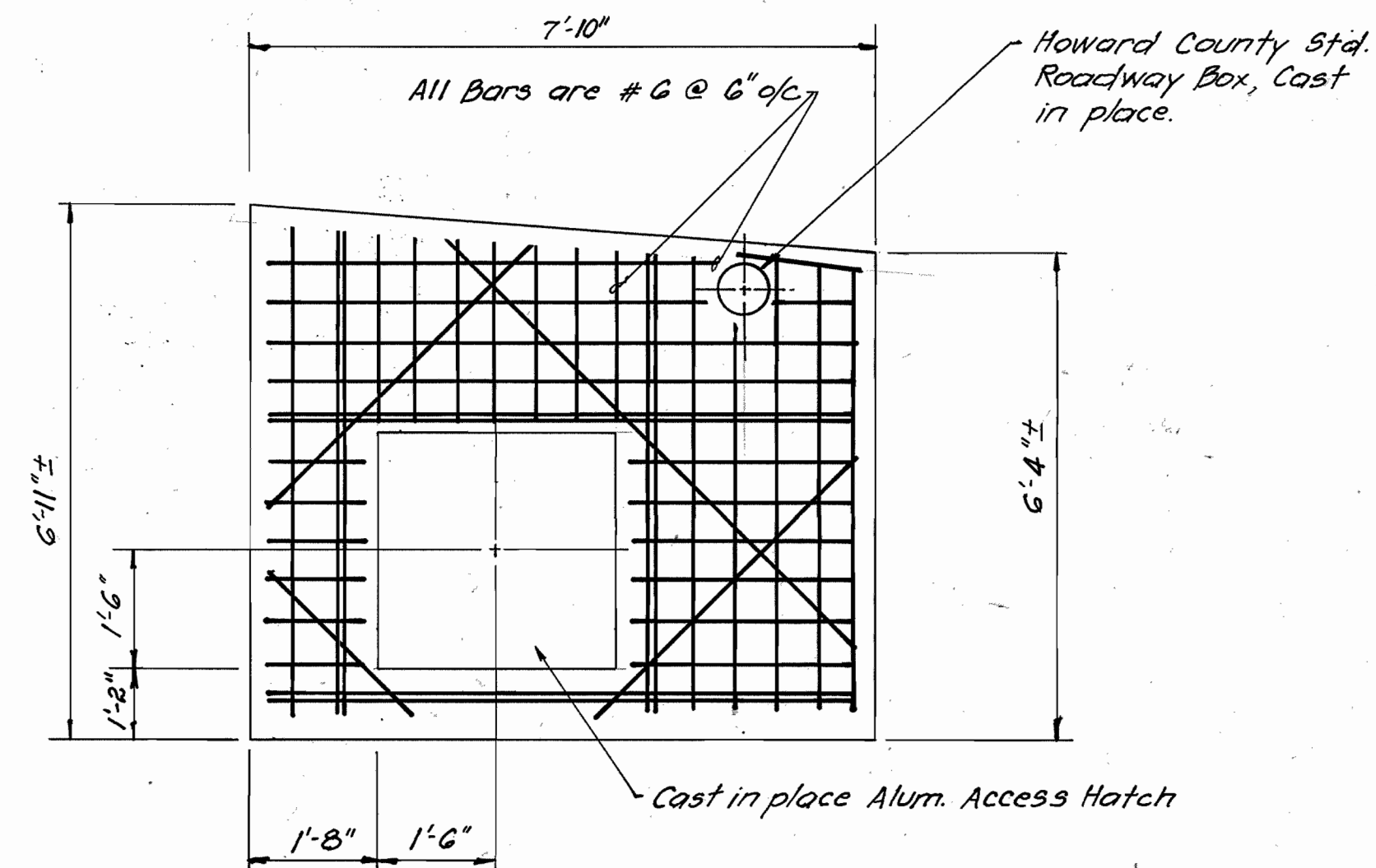
SCALE: 1/2" = 1'-0"

Note: Contractor Shall Field Verify All Dimensions Before Casting Top Slab.



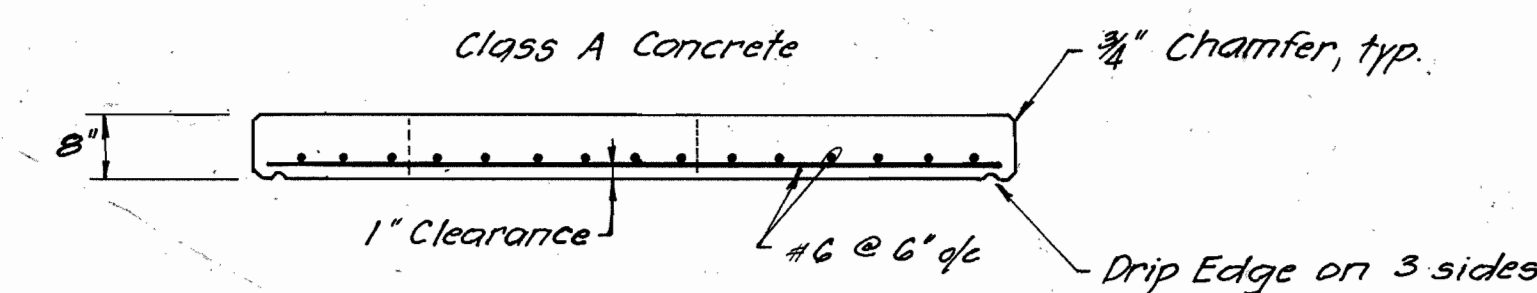
ELEVATION

SCALE: 1/2" = 1'-0"



PLAN - TOP SLAB

SCALE: 1/2" = 1'-0"



SECTION

SCALE: 1/2" = 1'-0"

RECORD DRAWING

MAY 01 1985

DEPARTMENT OF PUBLIC WORKS
HOWARD COUNTY, MARYLAND
8-2-86
8-6-86

GANNETT FLEMING ENVIRONMENTAL ENGINEERS, INC.
BALTIMORE, MARYLAND

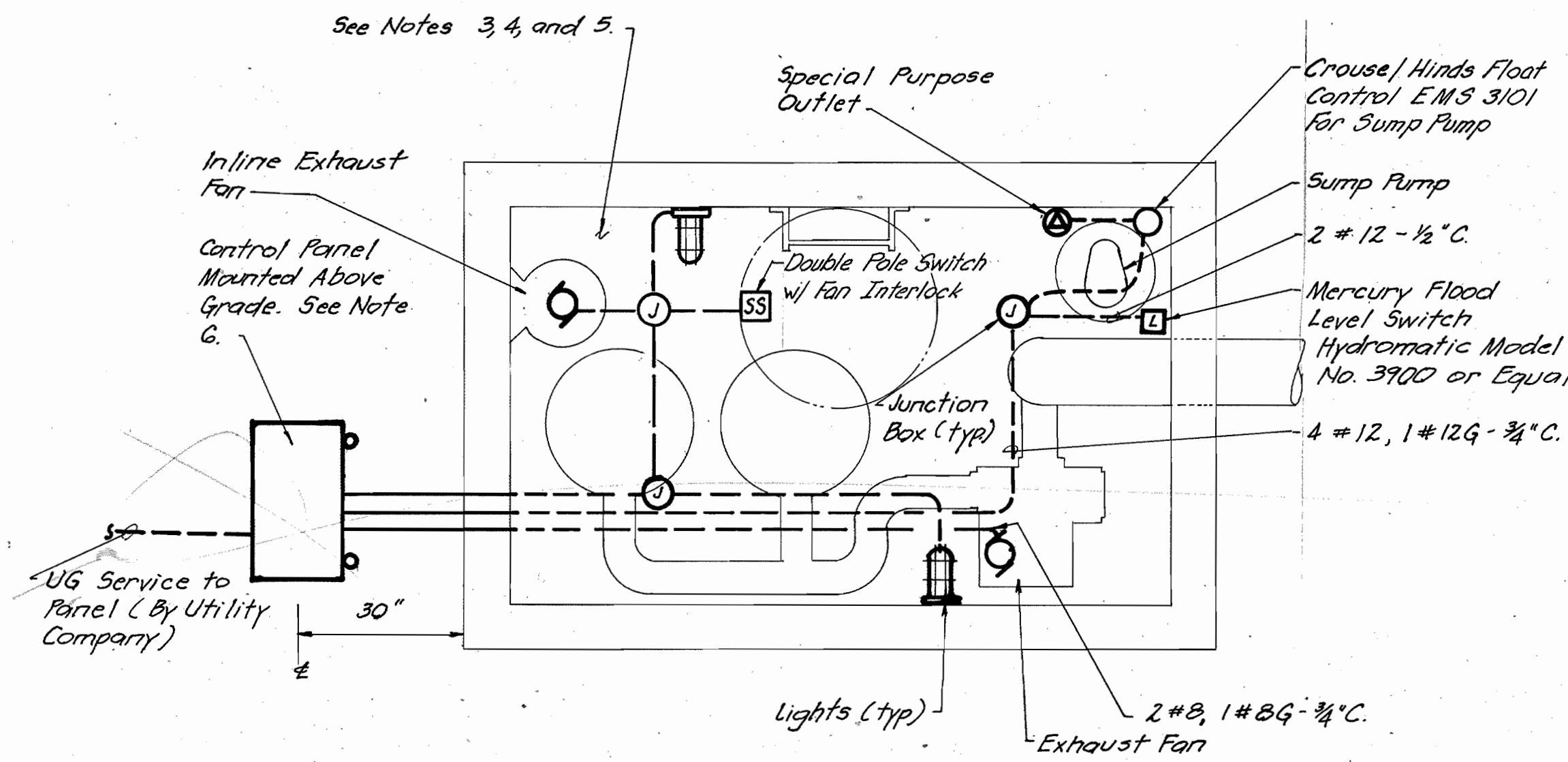


DES: T J					
DRN: J K					
CHK: J D R					
DATE: AUG 85	BY	NO.	REVISION	DATE	

PATAPSCO RIVER
ODOR CONTROL VAULT

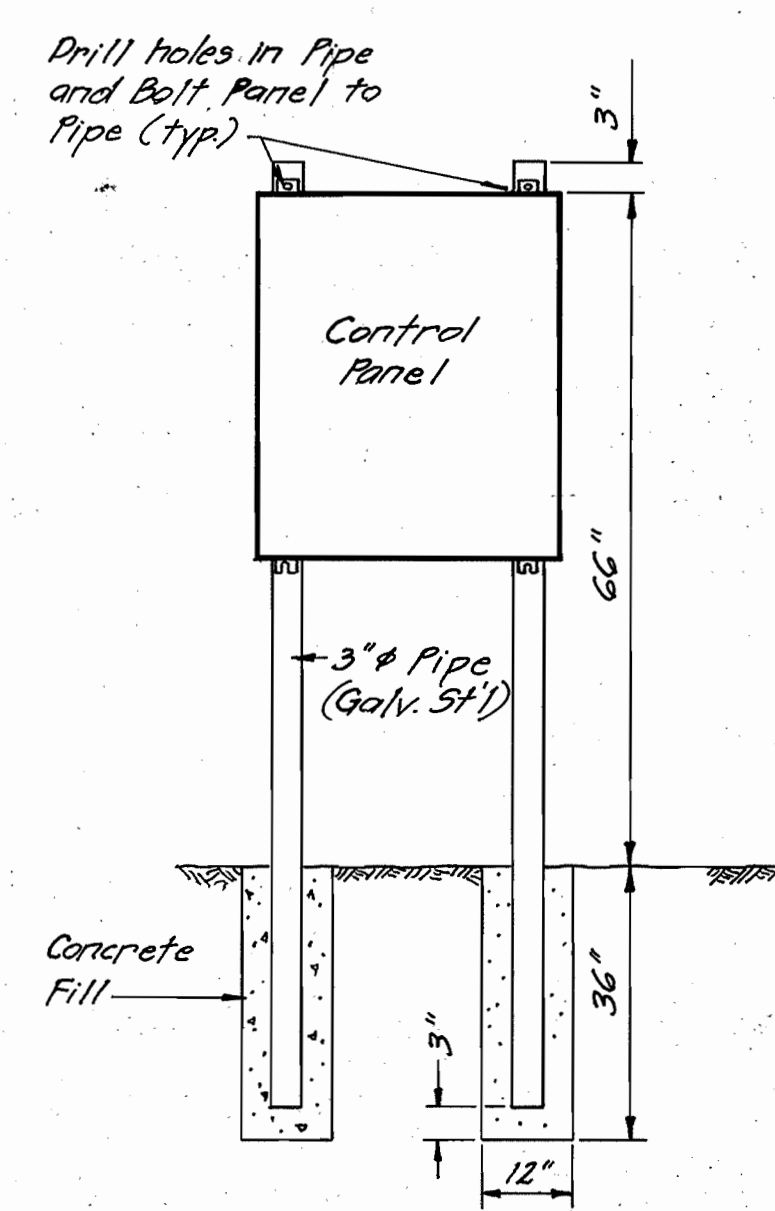
ODOR STUDY - CAT ROCK INTERCEPTOR
CAPITAL PROJECT S-6041
CONTRACT NO. 680 A-S
ELECTION DISTRICT NO. 2
HOWARD COUNTY, MARYLAND

SCALE AS SHOWN
SHEET 2 OF 3
1-33772



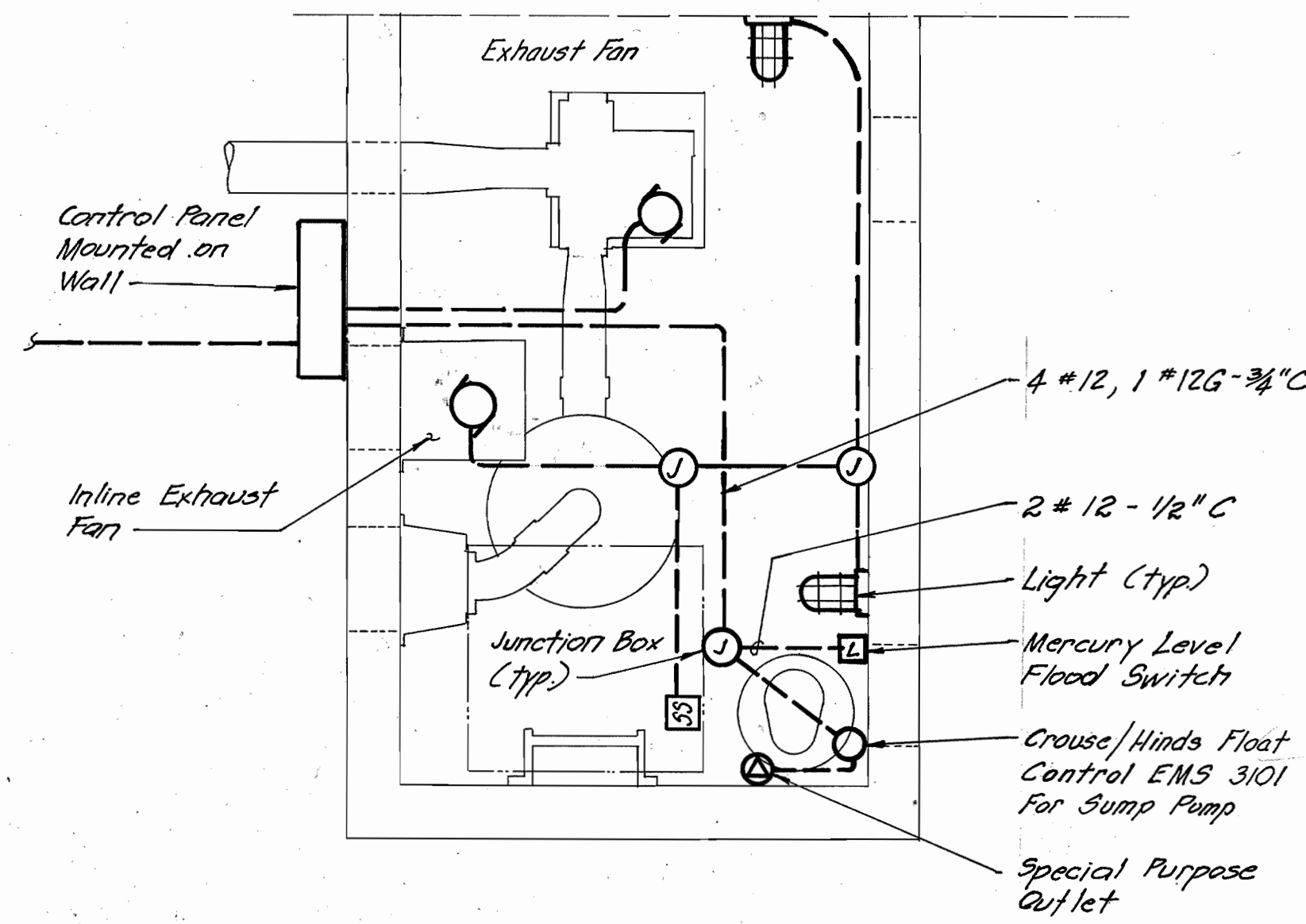
MERRYMAN STREET ODOR CONTROL VAULT - ELECTRICAL

SCALE: 1/2" = 1'-0"



DETAIL - CONTROL PANEL

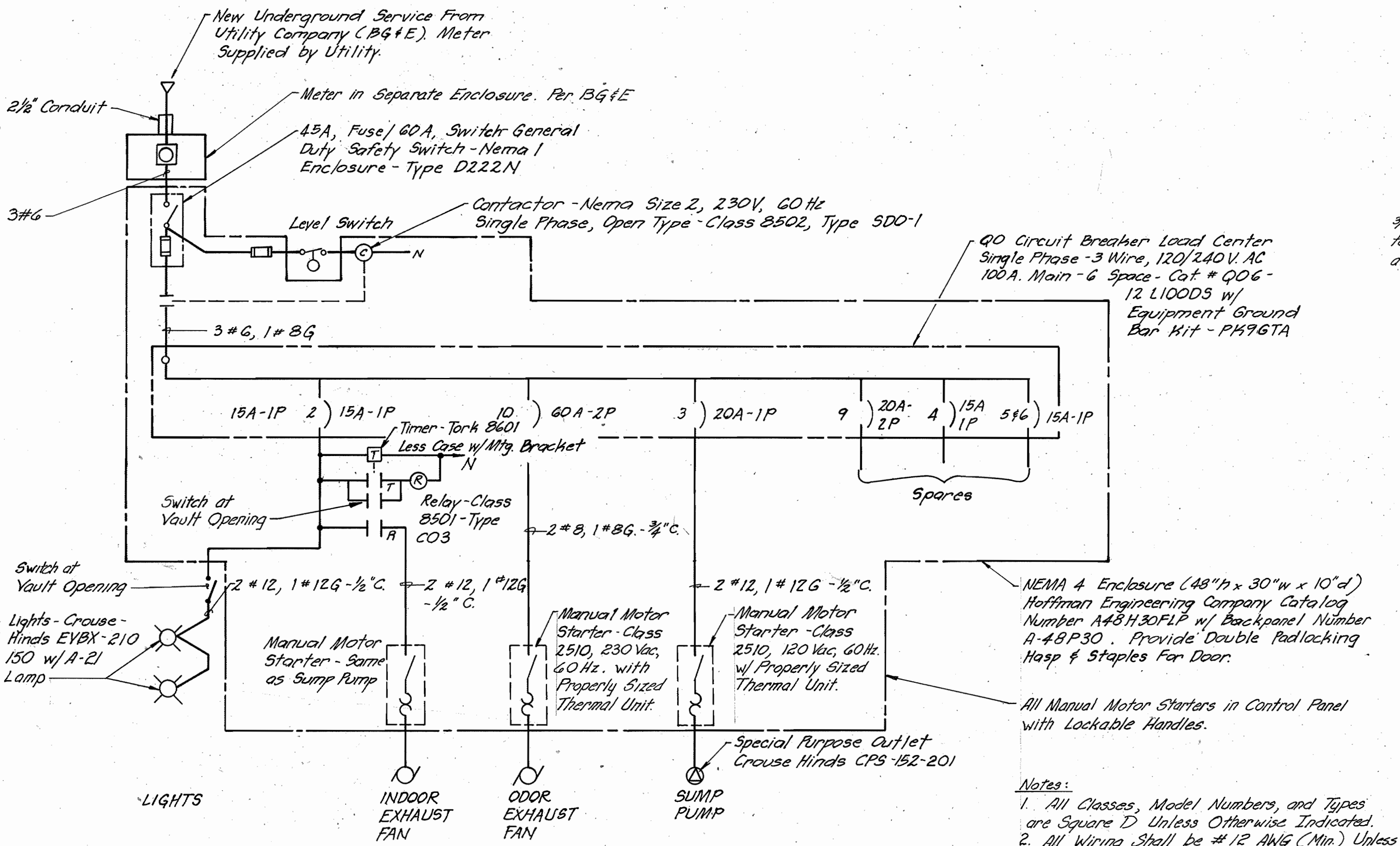
NO SCALE



PATAPSCO RIVER ODOR CONTROL VAULT - ELECTRICAL

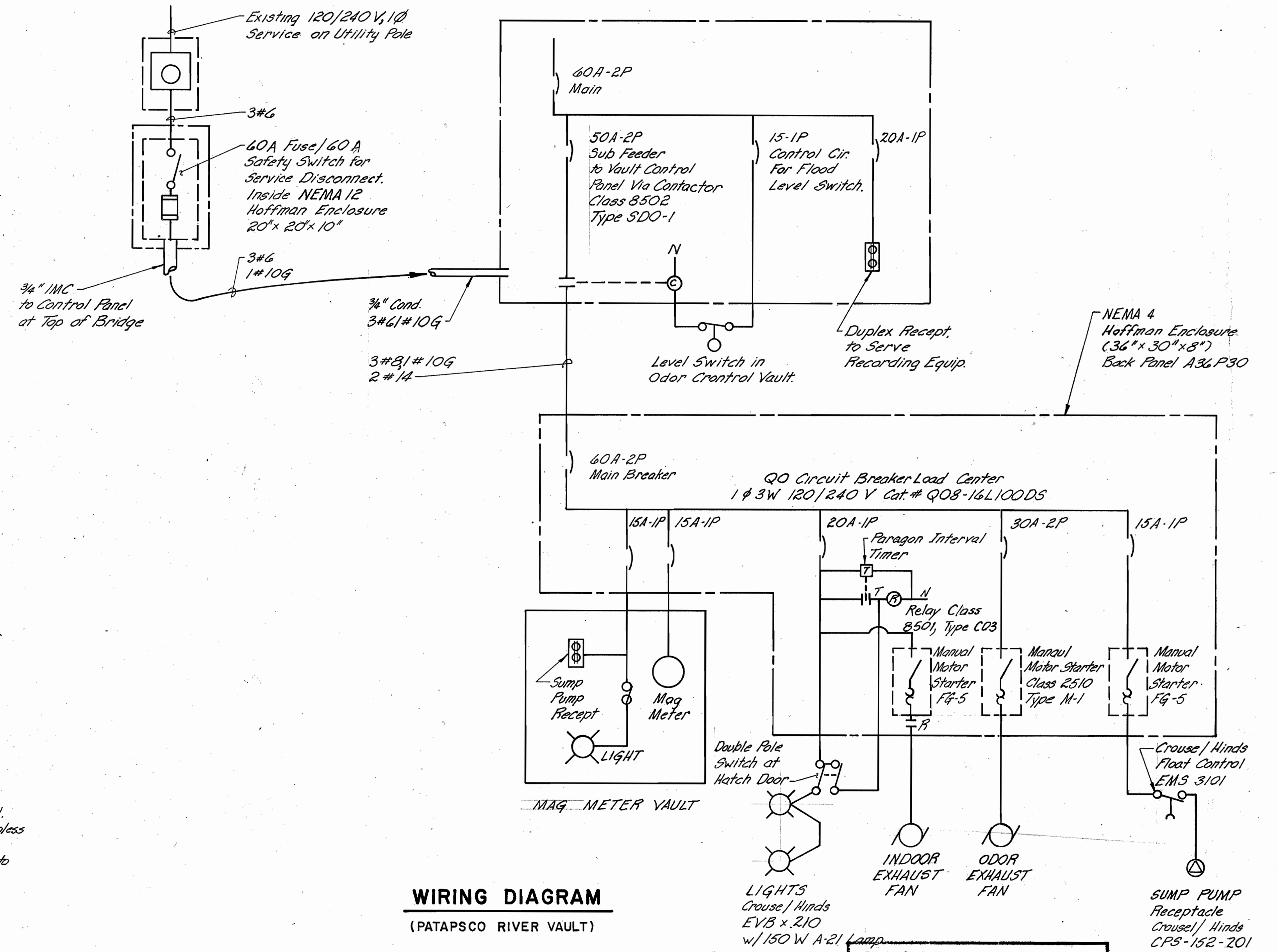
SCALE: 1/2" = 1'-0"

- GENERAL NOTES**
1. All Work Shall Be Performed in a neat Workman-Like Manner.
 2. All Wiring Will Be 2 # 12, 1 # 12G - 1/2" C. Unless Otherwise Indicated.
 3. Provide And Install Sealing Fittings On All Conduits Entering Or Leaving This Area.
 4. Equipment Used In This Area Shall Be Suitable For Class 1, Division 1, Group D Hazardous Locations.
 5. All Work Done In This Area Shall Be Done In Strict Accordance With Article 501 OF THE NATIONAL ELECTRICAL CODE.
 6. Utility Company To Bring UG Cable To Control Panel. Extend 2" Conduit Underground For UG Cable To Enter Panel. (Merryman Street Vault)



WIRING DIAGRAM

(MERRYMAN STREET VAULT)



WIRING DIAGRAM

(PATAPSCO RIVER VAULT)

- Notes:**
1. All Classes, Model Numbers, and Types are Square D Unless Otherwise Indicated.
 2. All Wiring Shall be # 12 AWG (Min.) Unless Otherwise Indicated on the Drawings.
 3. All Work Within the Panel Shall Conform to the NEC & JIC Standards.
 4. 60A Switch Shall be "Suitable for Service Equipment".

RECORD DRAWING

MAY 0 1 1986