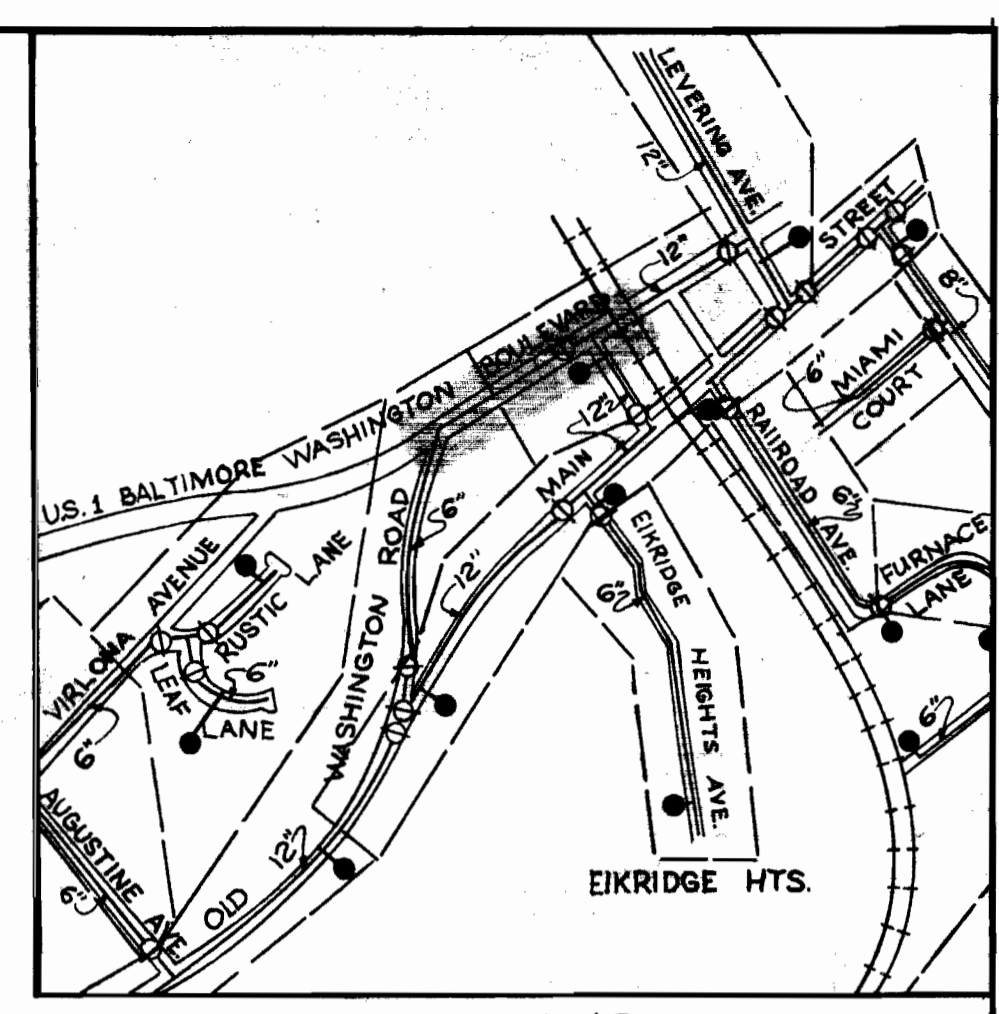
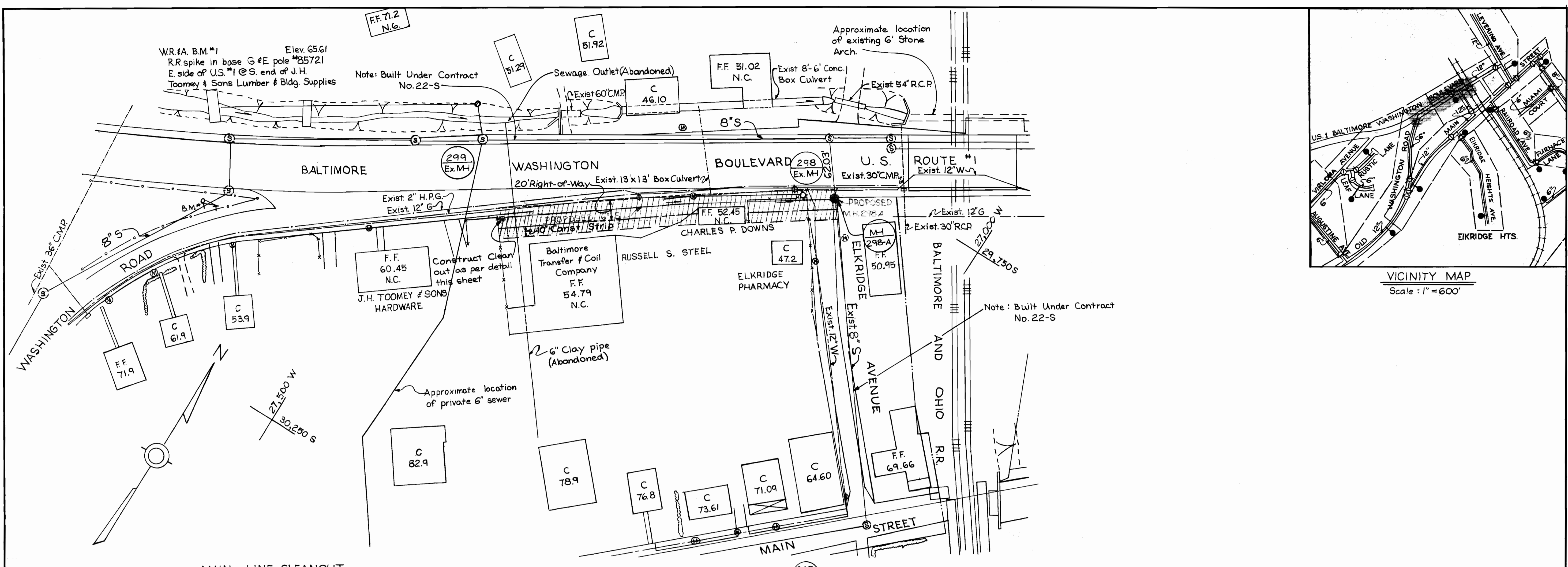


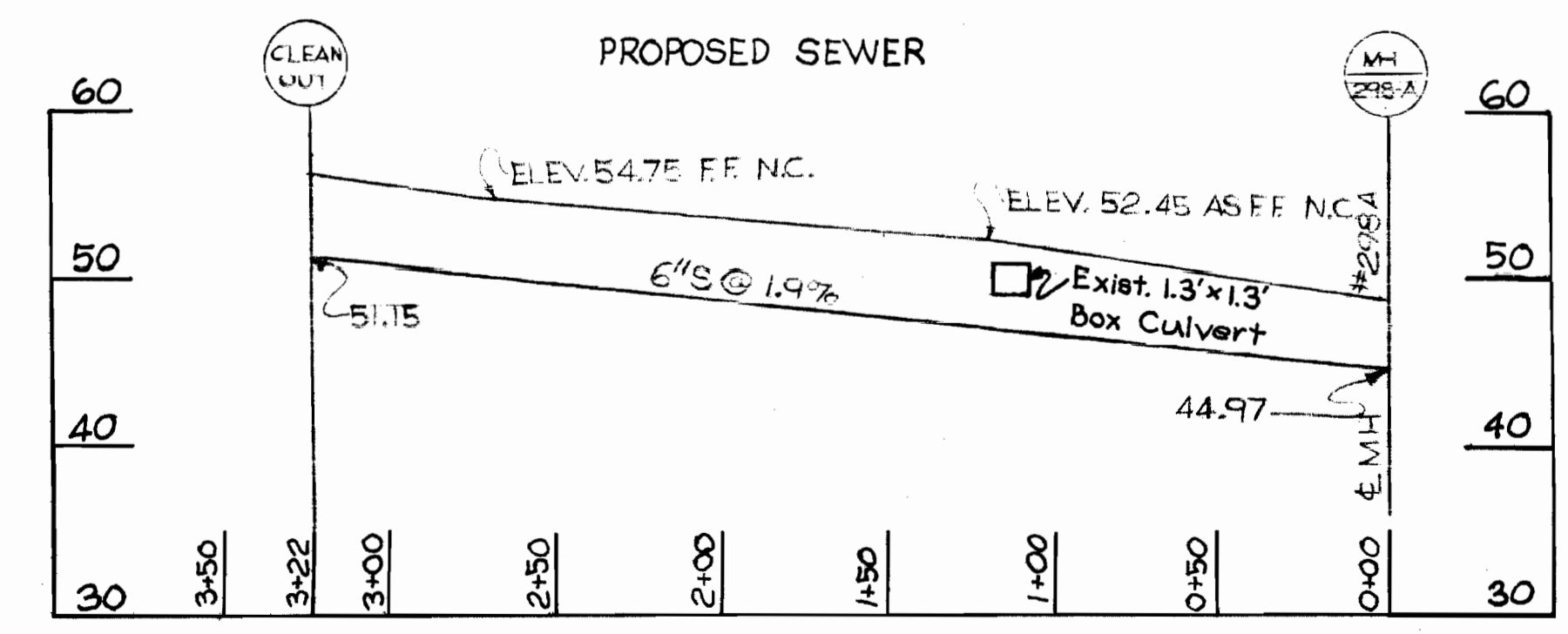
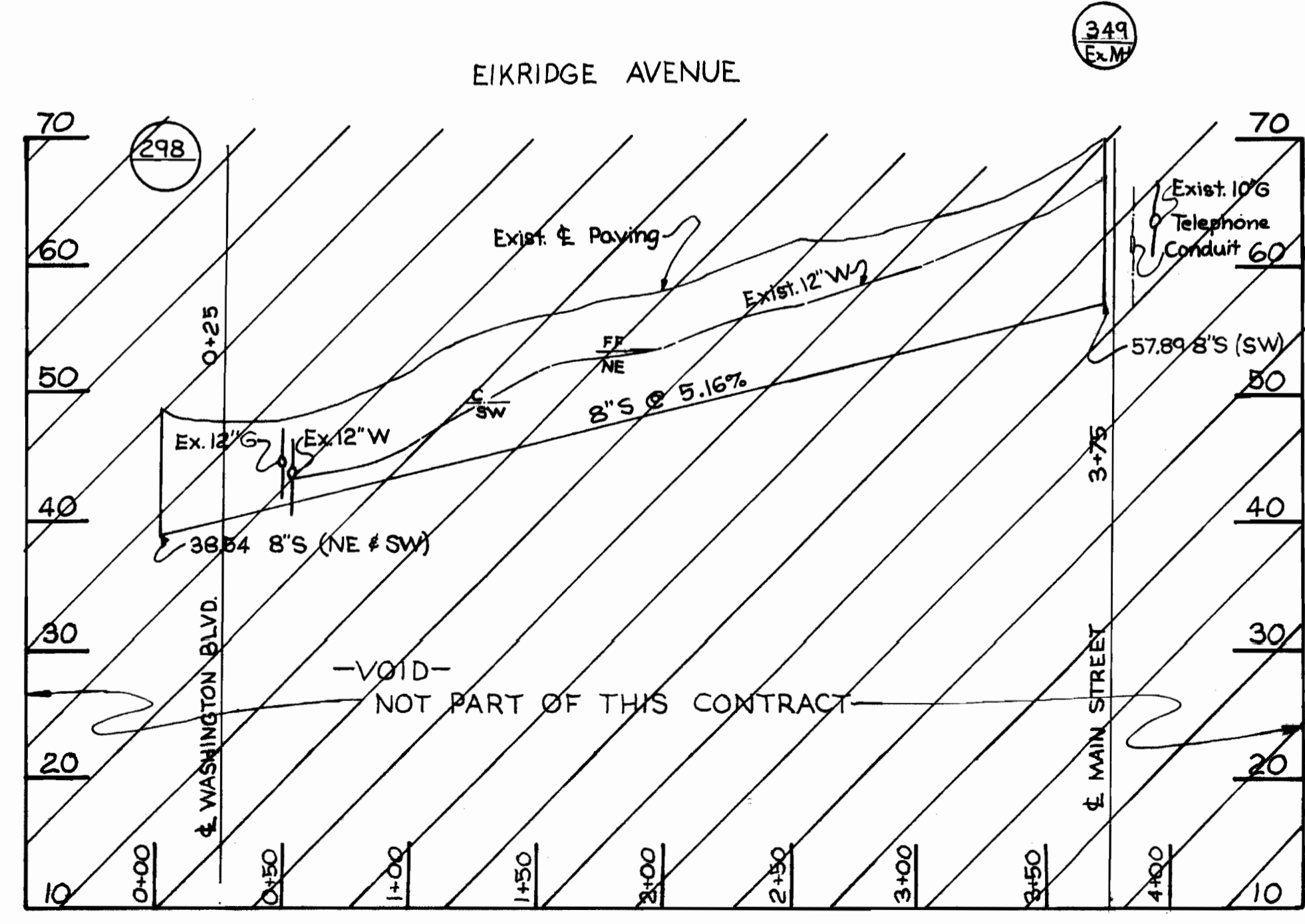
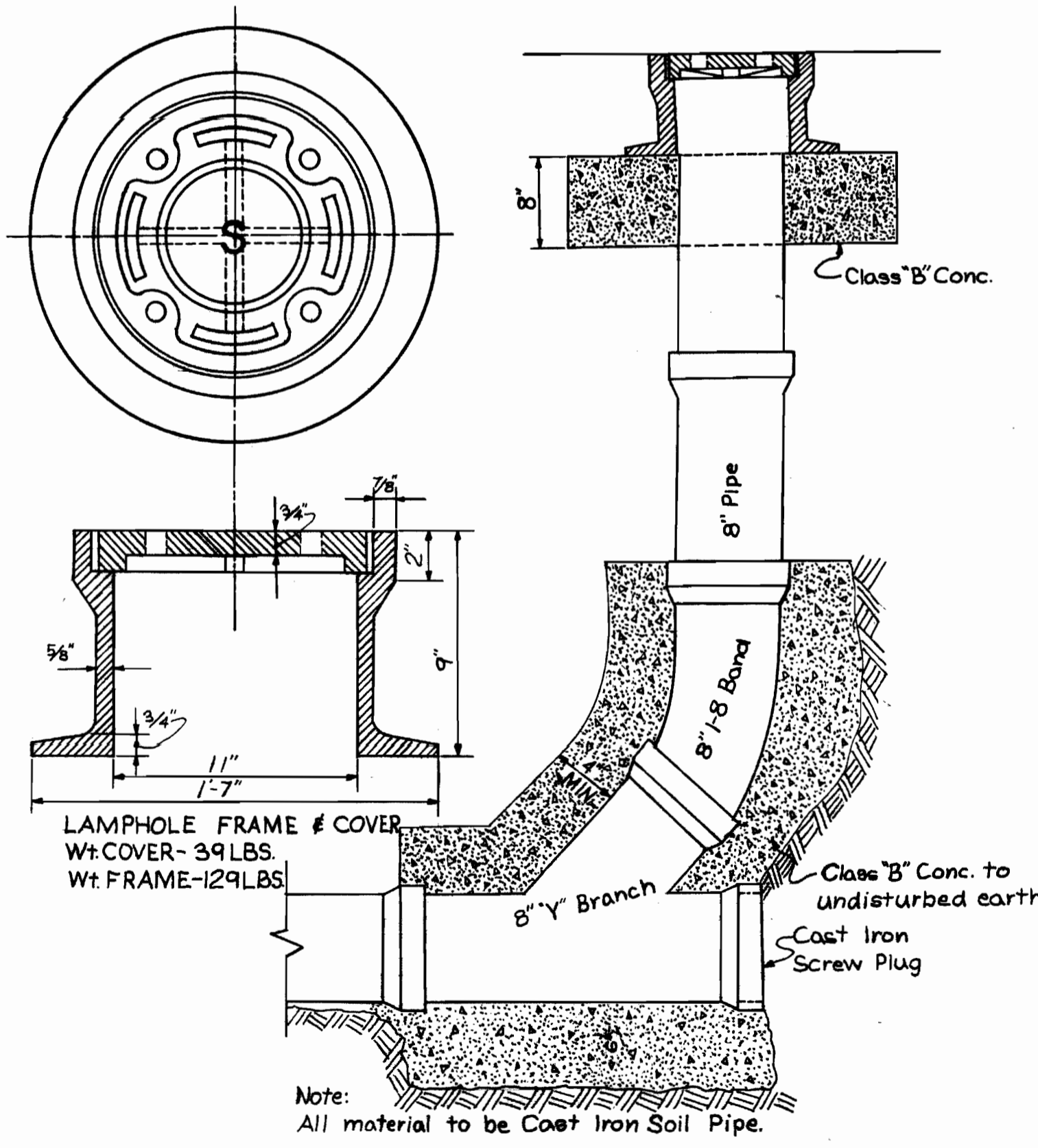
cuspenex

cuspenex

cuspenex



MAIN LINE CLEANOUT



BUREAU of ENGINEERING
DIVISION of SURVEY/ INSPECTION

DEPARTMENT OF PUBLIC WORKS
HOWARD COUNTY, MARYLAND
W. J. West 4-24-79
CHIEF-BUREAU OF WATER AND SEWER

CONTRACT NO. 591 M80-S

PLAN & PROFILE
OF
SEWER EXTENSION

ELKRIDGE
FIRST ELECTION DISTRICT
HOWARD COUNTY, MARYLAND

DRAWING
NO. 1
OF 1

SCALE
1" = 50'

4-16-79 R.M.P.